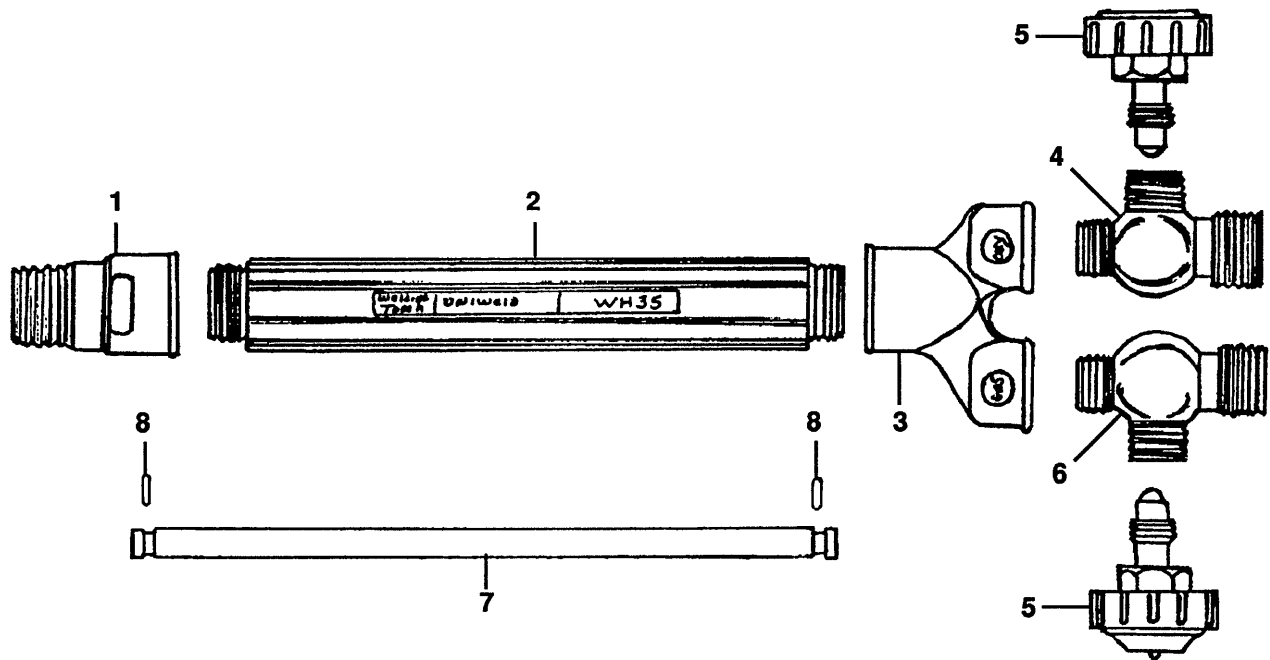


Uniweld

Model WH 35

Welding Torch

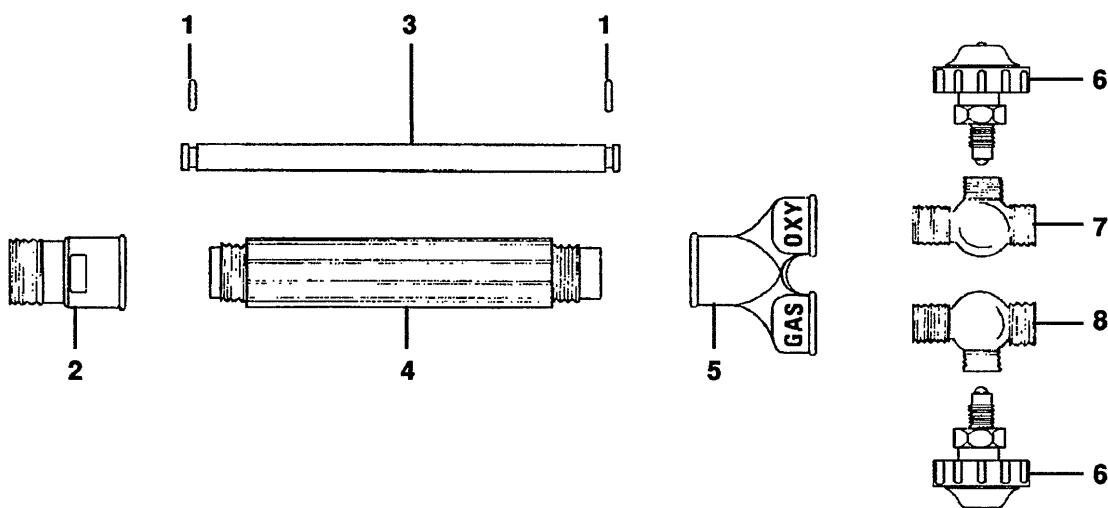


REF. NO.	MFG. NO.	S-S NO.	DESCRIPTION	CODE	REF. NO.	MFG. NO.	S-S NO.	DESCRIPTION	CODE
	WH35		Welding Torch		5	A70		Valve Assembly (2)	
1	3534-2		Front Body		6	7034-2		L. H. Valve Body	
2	3522		Handle & Fuel Tube		7	3518-3		Oxygen Tube	
3	3534-3		Rear Body		8	X06R	UN-015	O-Ring	
4	7034		R. H. Valve Body						

Uniweld

Model 36

Welding Torch

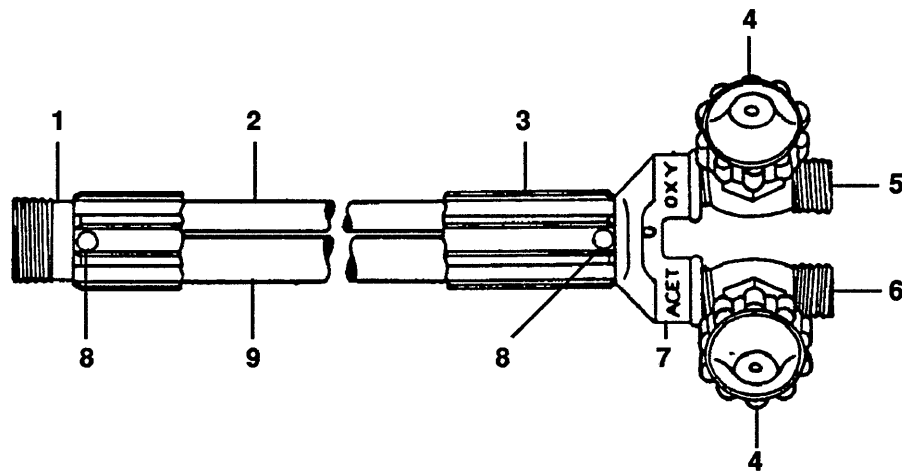


REF. NO.	MFG. NO.	S-S NO.	DESCRIPTION	CODE	REF. NO.	MFG. NO.	S-S NO.	DESCRIPTION	CODE
	WH36		Welding Torch (9" Length)		6	A72	UN-026	Valve Assembly (2)	
1	X19R	UN-030	O-Ring (2)		7	7234		R. H. Valve Body	
2	3634		Front Body		8	7234-2		L. H. Valve Body	
3	3618		Oxygen Tube						
4	3622		Handle Tube						
5	3634-2		Rear Body						

Uniweld

Series WO3

Welding Torch

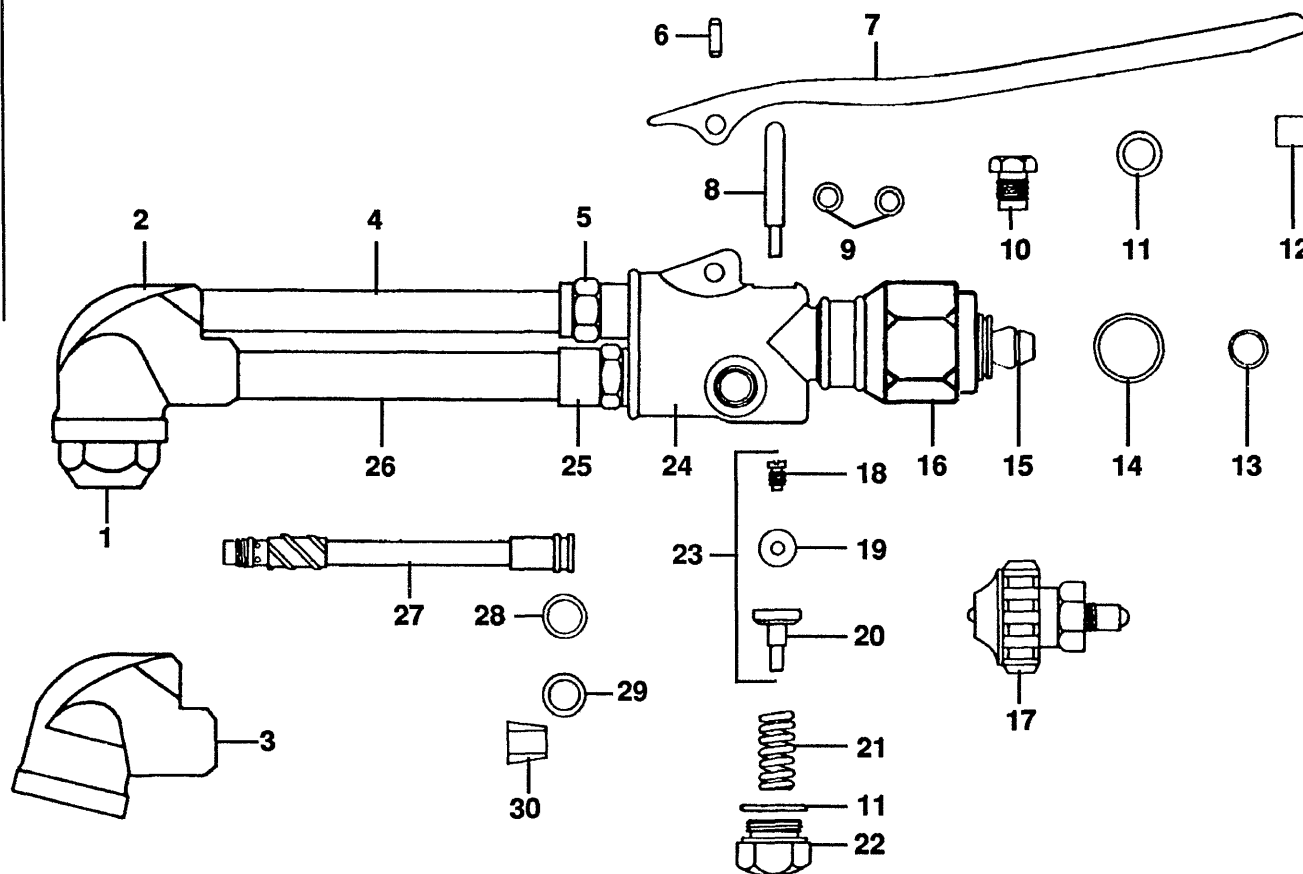


REF. NO.	MFG. NO.	S-S NO.	DESCRIPTION	CODE	REF. NO.	MFG. NO.	S-S NO.	DESCRIPTION	CODE
	WO3		Welding Torch		6	7234-2		Acetylene Valve Body	
1	7234-68	UN-026	Front Body		7	7234-3		Rear Body "Y"	
2	7218		Oxygen Tube		8	40X39		Drive Screw (4)	
3	7222		Handle		9	7218-2		Acetylene Tube	
4	A72		Valve Stem Assembly (2)						
5	7234		Oxygen Valve Body						

Uniweld

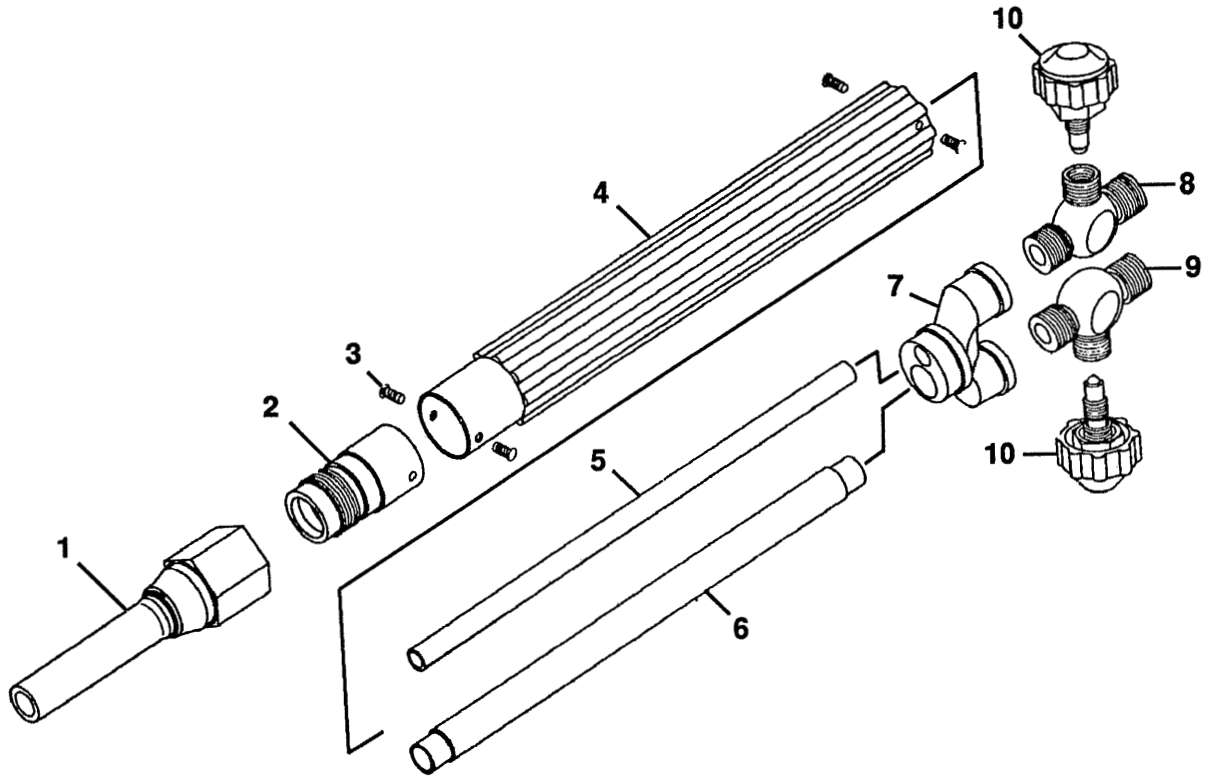
Series WO3

Cutting Attachment



REF. NO.	MFG. NO.	S-S NO.	DESCRIPTION	CODE	REF. NO.	MFG. NO.	S-S NO.	DESCRIPTION	CODE
	WO3		7868, 75 Degree Head	A	15	7868-01		Adaptor	A, B
	WO3		78A68, 90 Degree Head	B	16	7868-59		Coupling Nut	A, B
1	2059		Tip Nut	A, B	17	A72	UN-026	Valve Stem Assembly	A, B
2	7868A-15		Head, 90 Degree	B	18	7823		Seat Screw	A, B
3	7868-15		Head, 75 Degree	A	19	7821	UN-035	Seat	A, B
4	7818		Oxygen Tube	A, B	20	7826		Seat Holder	A, B
5	7859-3		Oxygen Coupling Nut	A, B	21	78X83	UN-039	H. P. Spring	A, B
6	78X66		Roll Pin	A, B	22	7843		H. P. Valve Plug	A, B
7	7817		Lever	A, B	23	C-78	UN-038	H. P. Seat Assembly	A, B
8	7803		H. P. Valve Stem	A, B	24	7834		Body	A, B
9	X02RS	UN-022	O-Ring (2)	A, B	25	7859-2		Acetylene Coupling Nut	A, B
10	7899		H. P. O-Ring Retainer	A, B	26	7818-2		Acetylene Mixing Tube	A, B
11	X04R		O-Ring	A, B	27	A7858		Mixer Assembly	A, B
12	H36X41N-1		Sleeve	A, B	28	X07R		O-Ring	A, B
13	X06R	UN-015	O-Ring	A, B	29	7841	UN-159	Washer	A, B
14	X15R		O-Ring	A, B	30	7814		Oxygen Tube Ferrule	A, B

Uniweld Model 43L9 Welding Torch

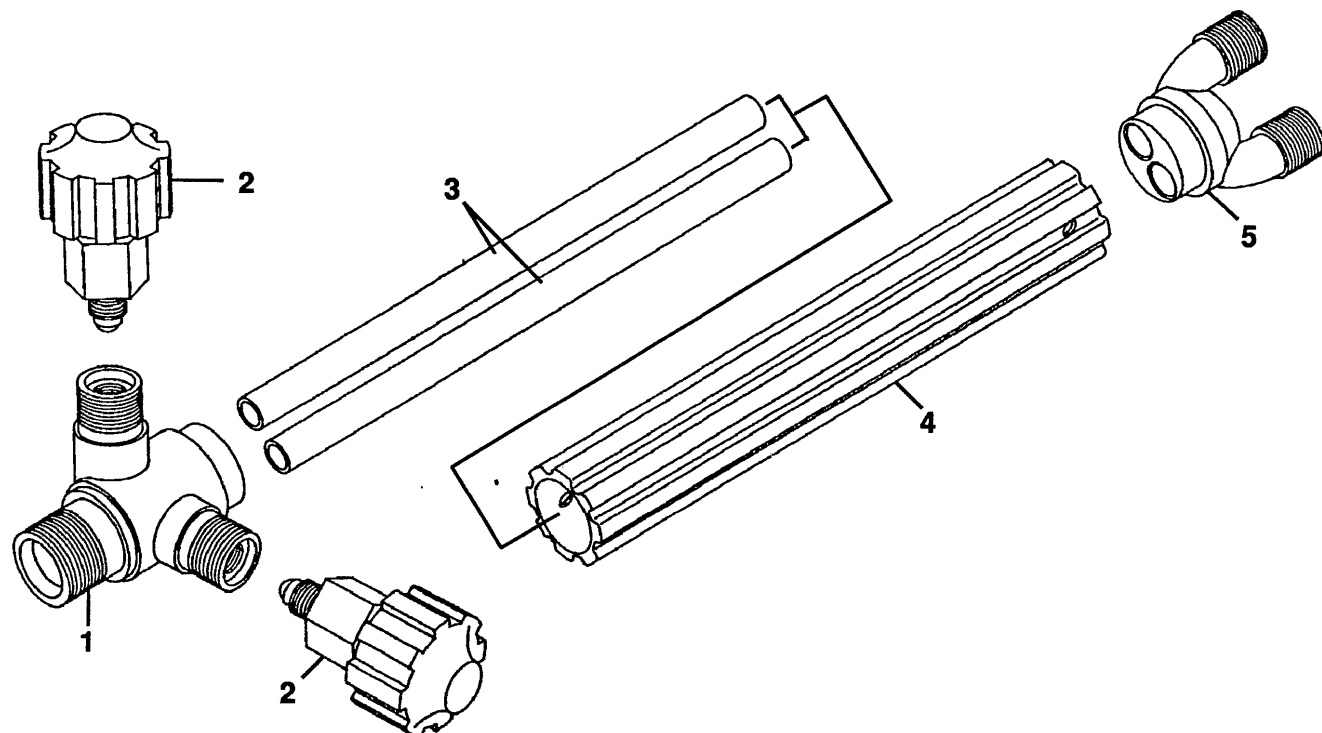


REF. NO.	MFG. NO.	S-S NO.	DESCRIPTION	CODE	REF. NO.	MFG. NO.	S-S NO.	DESCRIPTION	CODE
	43L9		Welding Torch		6	7218-2		Fuel Tube	
1	UM-43		Mixer Assembly		7	7234-3		Rear Body	
2	4334		Front Body (7/8"-18)		8	7234		R. H. Valve Body, Oxygen	
3	40X39		Drive Screw (4)		9	7234-2		L. H. Valve Body, Fuel	
4	7222		Handle		10	A72	UN-026	Valve Stem Assembly (2)	
5	7218		Oxygen Tube						

Uniweld

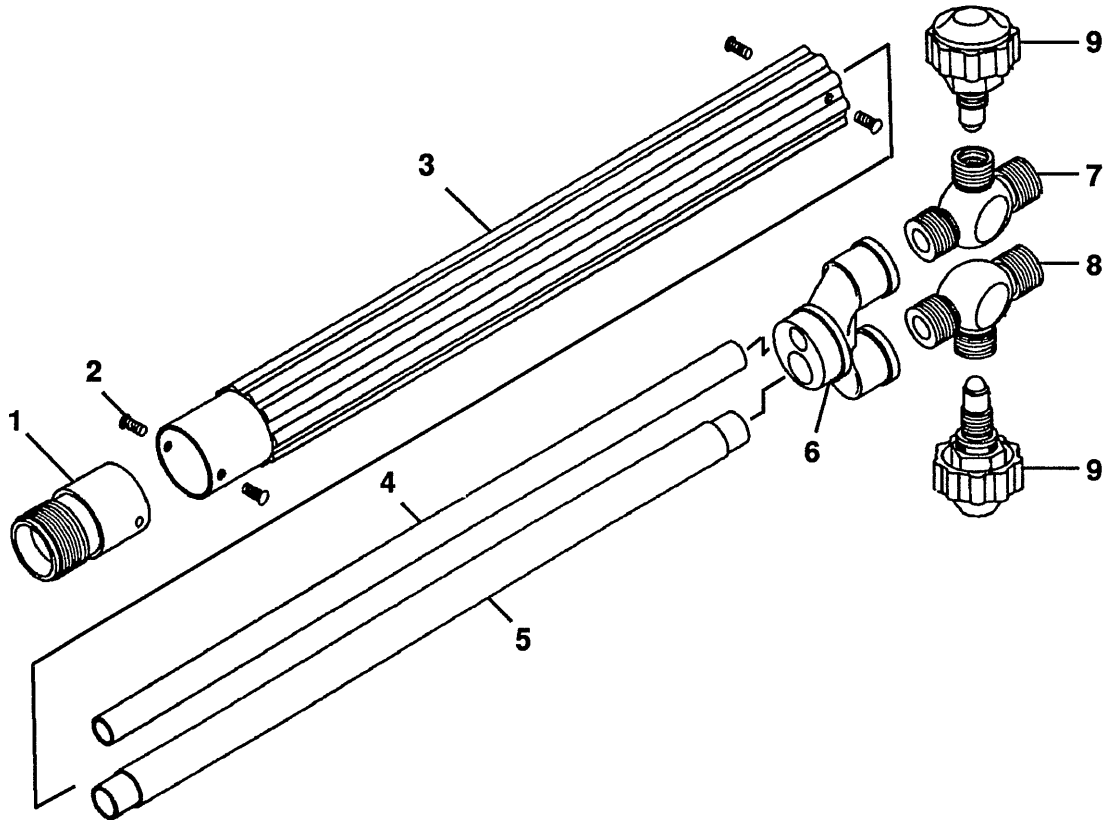
Model 71

Welding Torch



REF. NO.	MFG. NO.	S-S NO.	DESCRIPTION	CODE	REF. NO.	MFG. NO.	S-S NO.	DESCRIPTION	CODE
71			Welding Torch						
1	7134-4	UN-002	Front Body						
2	TH-16		Valve Stem Assembly (2)						
3	7118		Gas or Oxygen Tube (2)						
4	7122		Handle Tube						
5	7134-3		Rear Body						

Uniweld Model 72L9 Welding Torch

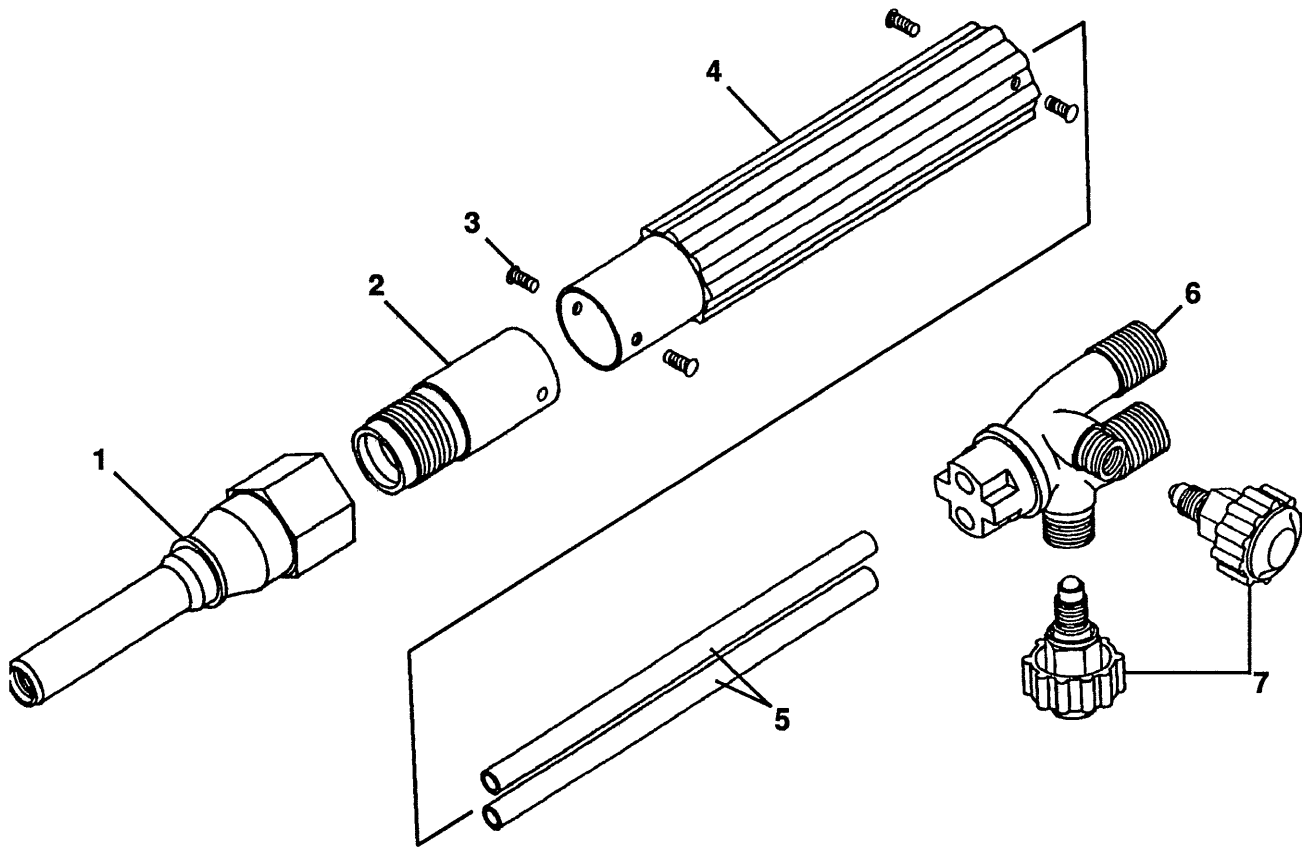


REF. NO.	MFG. NO.	S-S NO.	DESCRIPTION	CODE	REF. NO.	MFG. NO.	S-S NO.	DESCRIPTION	CODE
	72L9		Welding Torch	A	6	7234-3		Rear Body	A, B
	72L11		Welding Torch	B	7	7234		R. H. Valve Body, Oxygen	A, B
1	7234-4		Front Body	A, B	8	7234-2		L. H. Valve Body, Fuel	A, B
2	40X39		Drive Screw (4)	A, B	9	A72	UN-026	Valve Stem Assembly (2)	A, B
3	7222		Handle	A					
	7222-2		Handle	B					
4	7218		Oxygen Tube	A					
	7218-3		Oxygen Tube	B					
5	7218-2		Fuel Tube	A					
	7218-4		Fuel Tube	B					

Uniweld

Model WH-79

Welding Torch

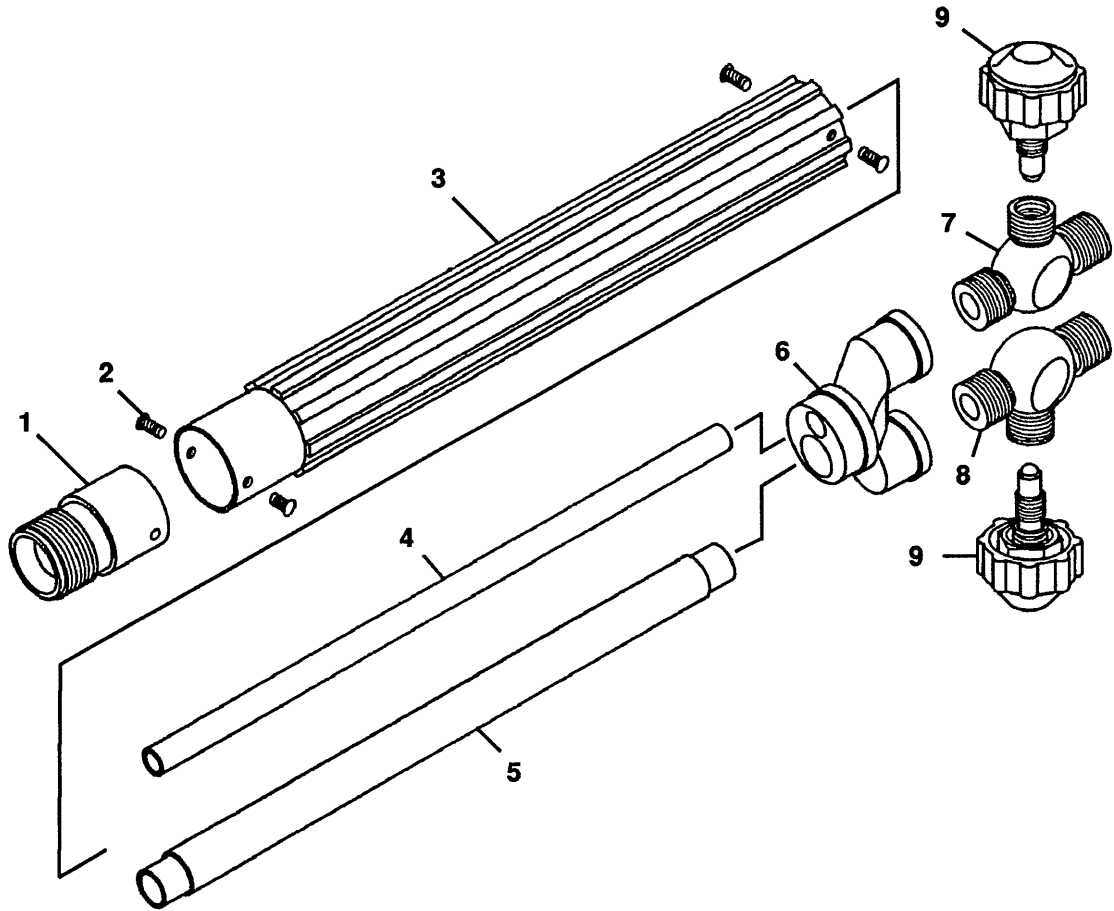


REF. NO.	MFG. NO.	S-S NO.	DESCRIPTION	CODE	REF. NO.	MFG. NO.	S-S NO.	DESCRIPTION	CODE
1	WH79		Welding Torch		5	WH7918		Fuel & Oxygen Tube	
2	UM-79		Mixer Assembly		6	WH7934		Rear Body	
3	WH7915		Front Body		7	WH79A	UN-042	Valve Stem Assembly (2)	
4	40X39		Drive Screw (4)						
5	WH7922		Handle						

Uniweld

Model 98-L9

Welding Torch



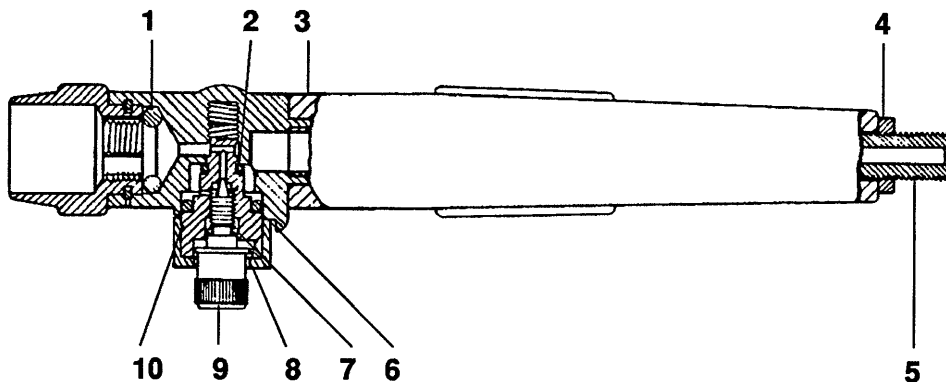
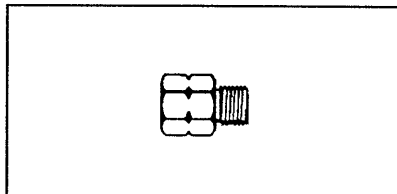
REF. NO.	MFG. NO.	S-S NO.	DESCRIPTION	CODE	REF. NO.	MFG. NO.	S-S NO.	DESCRIPTION	CODE
	98L9		Welding Torch, 9"	A	6	7234-3		Rear Body	A, B
	98L11		Welding Torch, 11"	B	7	7234		R. H. Valve Body, Oxygen	A, B
1	9834		Front Body	A, B	8	7234-2		L. H. Valve Body, Fuel	A, B
2	40X39		Drive Screw (4)	A, B	9	A72	UN-026	Valve Stem Assembly (2)	A, B
3	7222		Handle	A					
	7222-2		Handle	B					
4	7218		Oxygen Tube	A					
	7218-3		Oxygen Tube	B					
5	7218-2		Fuel Tube	A					
	7218-4		Fuel Tube	B					

Uniweld

Model TH1

Torch Handles

To convert torch from acetylene
to propane use part no. F58L



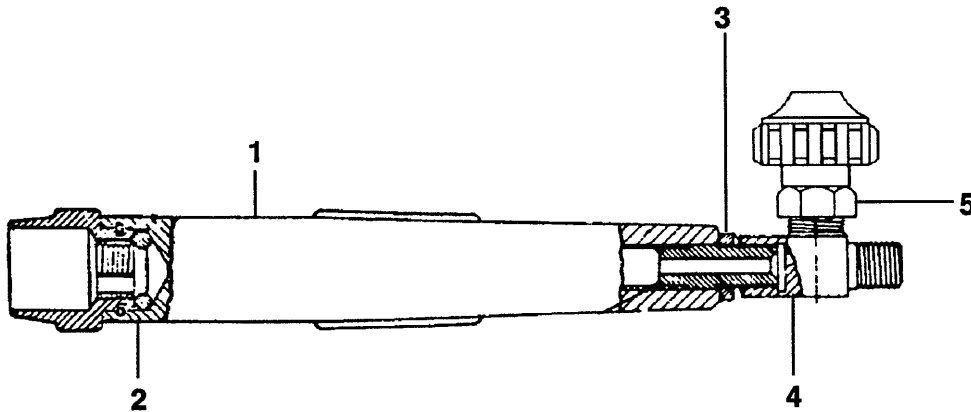
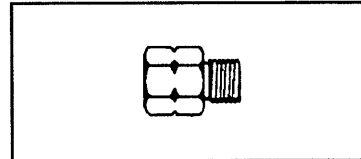
REF. NO.	MFG. NO.	S-S NO.	DESCRIPTION	CODE	REF. NO.	MFG. NO.	S-S NO.	DESCRIPTION	CODE
	TH1		Torch Handle	A	5	NF-2		3/8" - 24 (LH)	
	TH1B		Torch Handle	B	6	X09R		O-Ring	A, B
1	X13R	UN-015	O-Ring	A, B	7	X01R		O-Ring	A, B
2	X06R		O-Ring	A, B	8	TH1-E		Thumb Lever Assembly	A, B
3	TH1-FX		Casing	A, B	9	TH1-D		Pilot Valve Stem	A, B
4	TH1-J		Jam Nut	A, B	10	TH1-C		Valve Stem	A, B

Uniweld

Model TH2/3

Torch Handles

To convert torch from acetylene to propane use part no. F58L

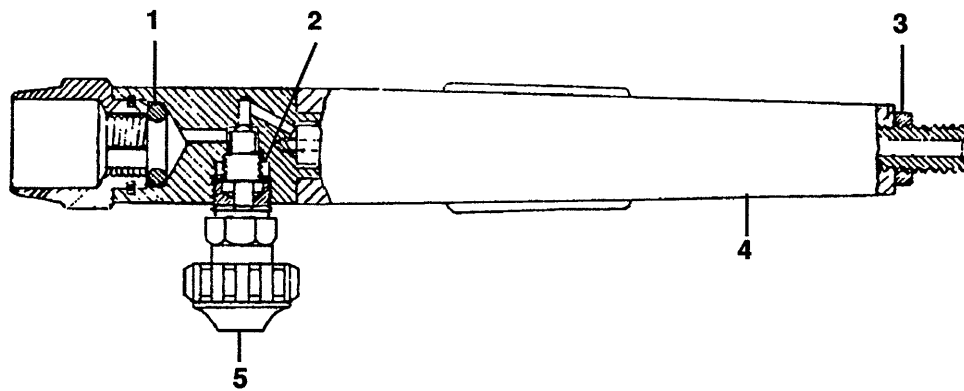


REF. NO.	MFG. NO.	S-S NO.	DESCRIPTION	CODE	REF. NO.	MFG. NO.	S-S NO.	DESCRIPTION	CODE
	TH2		Torch Handle	A	3	TH1-J		Jam Nut	A thru D
	TH2B		Torch Handle	B	4	NV39		Needle Valve Assembly	A thru D
	TH3		Torch Handle	C	5	TH-16	UN-002	Valve Assembly	A thru D
	TH3B		Torch Handle	D					
1	TH1-FX		Casing	A thru D					
2	X13R		O-Ring	A thru D					

Uniweld

Model TH4

Torch Handle

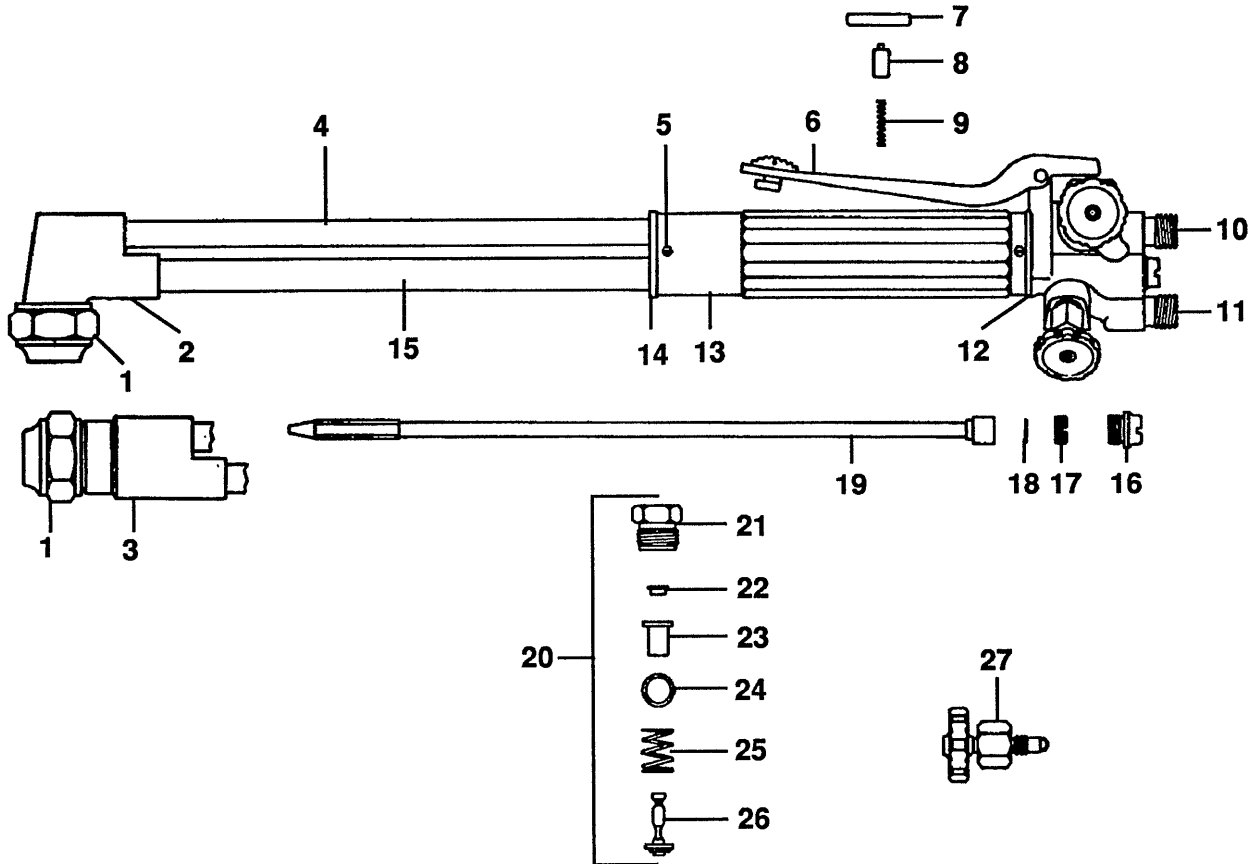


REF. NO.	MFG. NO.	S-S NO.	DESCRIPTION	CODE	REF. NO.	MFG. NO.	S-S NO.	DESCRIPTION	CODE
	TH4		Torch Handle	A	3	TH1-J		Jam Nut	A, B
	TH4B		Torch Handle	B	4	TH1-FX		Casing	A, B
1	X13R		O-Ring	A, B	5	TH4-V		Valve Assembly	A, B
2	TH4-60		Washer	A, B					

Uniweld

Model Super W

Hand Cutting Torch

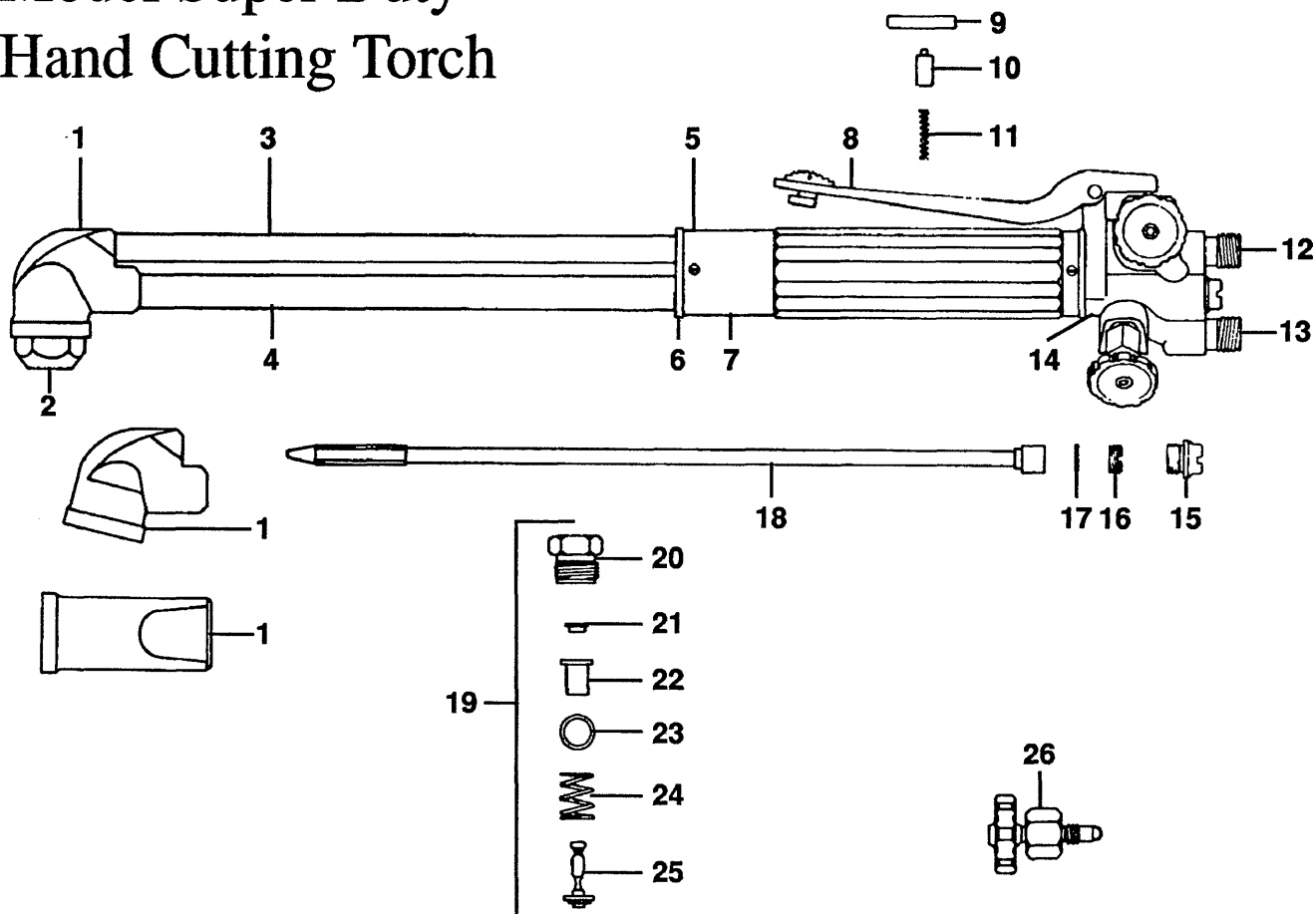


REF. NO.	MFG. NO.	S-S NO.	DESCRIPTION	CODE	REF. NO.	MFG. NO.	S-S NO.	DESCRIPTION	CODE
	W20A		Low or Medium Pressure, Acetylene	A	14	2020		Handle Front Piece	A-D
	W21A		Medium Pressure, Natural Gas & Propane	B	15	2018-2		Mixer Tube	A-D
	W22A		Low Pressure, Natural Gas	C	16	2043		Plug	A-D
	W23A		Low-Low Pressure, Natural Gas	D	17	2023-2		Injector Screw	A-D
1	7859		Tip Nut	A-D	18	X04R		O-Ring	A-D
2	W20A15		90 Degree Head	A-D	19	A2058		Injector Assembly, Acetylene	A
3	W20B15		180 Degree Head	A-D		A2158		Inject. Assy., Med. Press. N/Gas/Pro.	B
4	2018		Oxygen Tube	A-D		A2258		Inject. Assy., Low Press. Nat. Gas	C
5	20X23		Handle Screw (4)	A-D		A2358		Inject. Assy. Low-Low Press. Nat. Gas	D
6	A2017		Lever Assembly	A-D	20	2025		Valve Assembly	A-D
7	2066		Lever Pin	A-D	21	2099		Guide	A-D
8	2072		Lever Sleeve	A-D	22	2014		Ferrule	A-D
9	2083		Lever Spring	A-D	23	2011		Bushing	A-D
10	2046		Oxygen Connection	B, C, D	24	2041		Washer	A-D
11	2046-2		Acetylene Connection	A	25	2083-2		Spring	A-D
12	2034		Body	A-D	26	2021		Seat Stem	A-D
13	2022		Handle	A-D	27	A2003	UN-062	Valve Stem Assembly (2)	A-D

Uniweld

Model Super Duty

Hand Cutting Torch

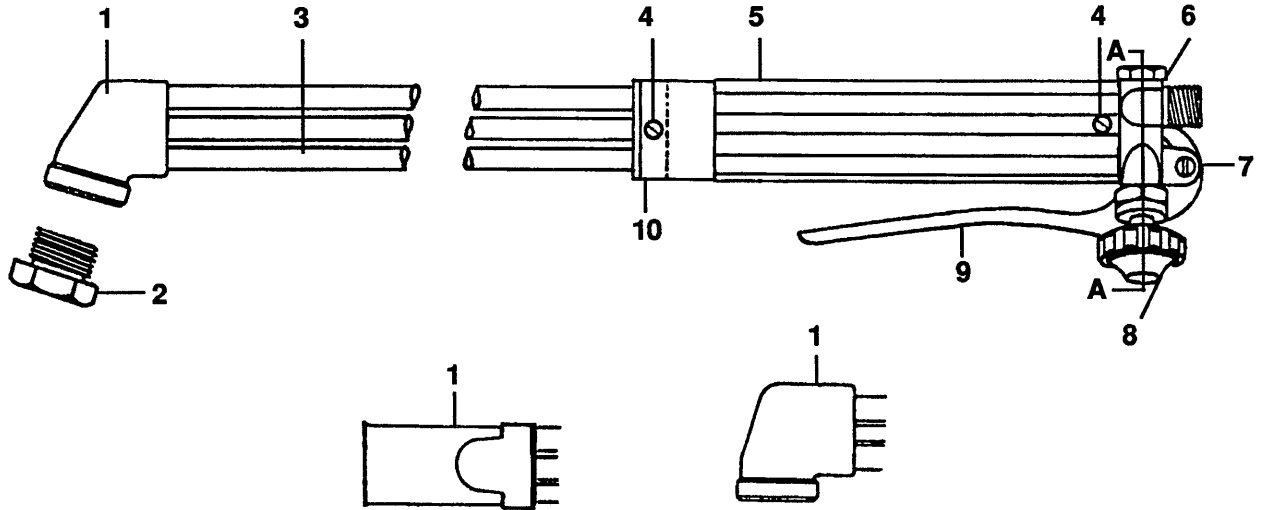


REF. NO.	MFG. NO.	S-S NO.	DESCRIPTION	CODE	REF. NO.	MFG. NO.	S-S NO.	DESCRIPTION	CODE
20			Low or Med. Press., Acety., 75 Degree	A	6	2020		Handle Front Piece	A-M
20A			Low or Med. Press., Acety., 90 Degree	B	7	2022		Handle	A-M
20B			Low or Med. Press., Acety., 180 Degree	C	8	A2017		Lever Assembly	A-M
21			Med. Press. Nat. Gas & Pro., 75 Degree	D	9	2066		Lever Pin	A-M
21A			Med. Press. Nat. Gas & Pro., 90 Degree	E	10	2072		Lever Sleeve	A-M
21B			Med. Press. Nat. Gas & Pro., 180 Degree	F	11	2083		Lever Spring	A-M
22			Low Press. Natural Gas, 75°	G	12	2046		Oxygen Connection	A-M
22A			Low Press. Natural Gas, 90°	H	13	2046-2		Acetylene Connection	A-M
22B			Low Press. Nat. Gas, 180°	J	14	2034		Body	A-M
23			Low-Low Pressure Nat. Gas, 75 Degree	K	15	2043		Plug	A-M
23A			Low-Low Pressure Nat. Gas, 90 Degree	L	16	2023-2		Injector Screw	A-M
23B			Low-Low Pressure Nat. Gas, 180 Degree	M	17	X04R		O-Ring	A-M
1	2015		Head, 75 Degree	A,D,G,K	18	A2058		Injector Assembly	A, B, C
	20A15		Head, 90 Degree	B,E,H,L		A2158		Injector Assembly	D, E, F
	20B15		Head, 180 Degree	C,F,J,M		A2258		Injector Assembly	G, H, J
2	2059		Tip Nut	A-M		A2358		Injector Assembly	K, L, M
3	2018		Oxygen Tube	A-M	19	2025		Valve Assembly	A-M
4	2018-2		Mixer Tube	A-M	*20	2099		Guide	A-M
5	20X23		Handle Screw	A-M	*21	2014		Ferrule	A-M
					*22	2011		Bushing	A-M
					*23	2041		Washer	A-M
					*24	2083-2		Spring	A-M
					*25	2021		Seat Stem	A-M
					26	A2003	UN-062	Valve Stem Assembly	A-M
					*			Included in part Number 2025	

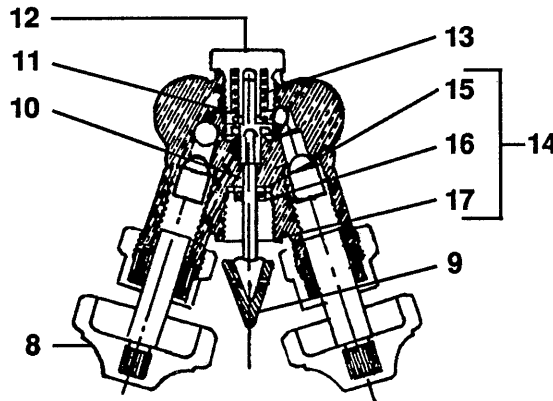
Uniweld

Model Inline HCT

Hand Cutting Torch



SECTION A-A

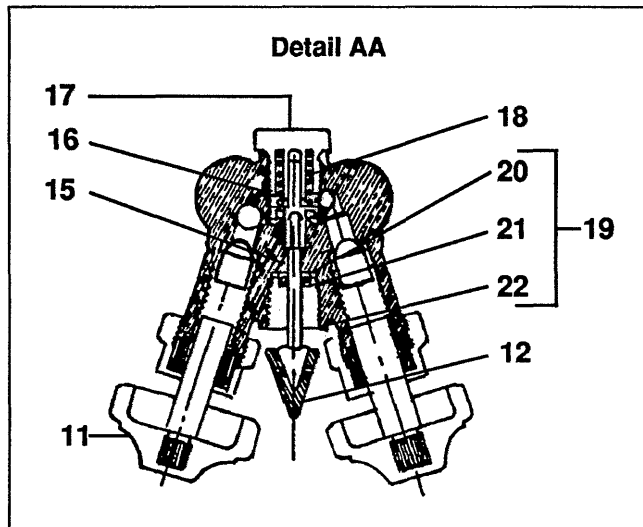
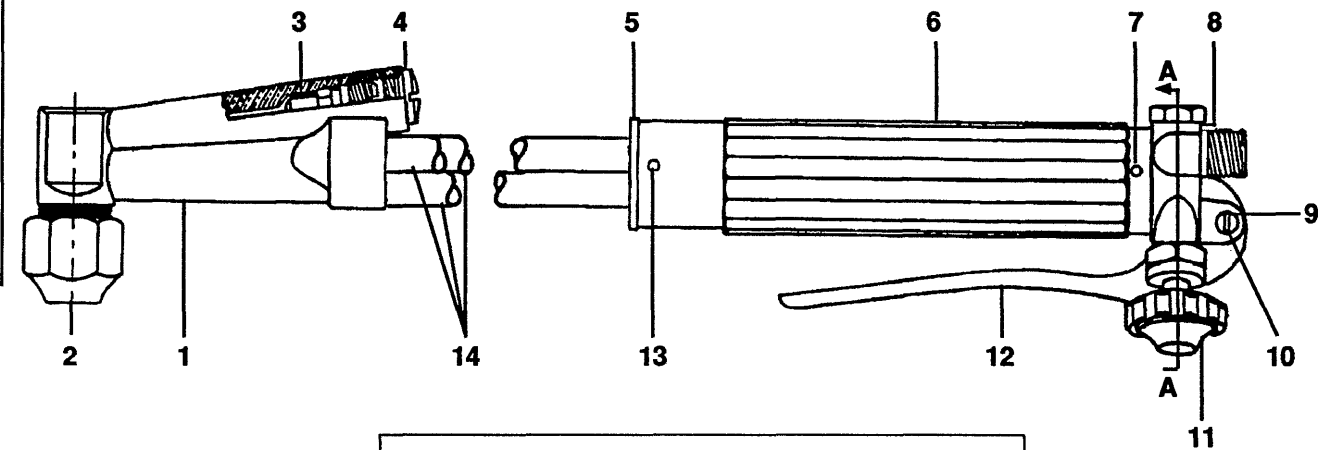


REF. NO.	MFG. NO.	S-S NO.	DESCRIPTION	CODE	REF. NO.	MFG. NO.	S-S NO.	DESCRIPTION	CODE
Inline			Hand Cutting Torch, 18" Bronze	A	9	E40		H. P. Valve Lever Assy.	A-C
					10	3020		Handle Front Piece	A-C
Inline			Hand Cutting Torch, 18" Stainless	B	11	H40	UN-063	H. P. Valve Seat Assy.	A-C
					12	4002-2		H. P. Valve Cap	A-C
Inline			Hand Cutting Torch, 16" Bronze	C	13	40X83	UN-192	H. P. Valve Spring	A-C
					*14	D40		H. P. Valve Packing Assy.	A-C
1	3215		Stainless Head, 75 Degree	B	15	4014		Gasket	A-C
	3015		Bronze Head, 75 Degree	A, C	16	X01RS	UN-009	O Ring	A-C
	32A15		Stainless Head, 90 Degree	B	17	4023		H. P. Plunger Screw	A-C
	30A15		Bronze Head, 90 Degree	A, C	*			Includes 15, 16, & 17	
	30B15		Bronze Head, 180 Degree	A					
2	5459-3		Tip Nut	A-C					
3	3018		Gas Tube for 18" Torch	A, B					
	3018-2		Gas Tube for 16" Torch	C					
4	30X23		Handle Screw (3)	A-C					
	40X39		Drive Screw (3)						
5	3022		Handle	A-C					
6	30S34		Rear Body	A-C					
7	3023-2		H. P. Valve Lever Screw	A-C					
8	A2003	UN-062	Needle Valve Stem Assy. (3)	A-C					

Uniweld

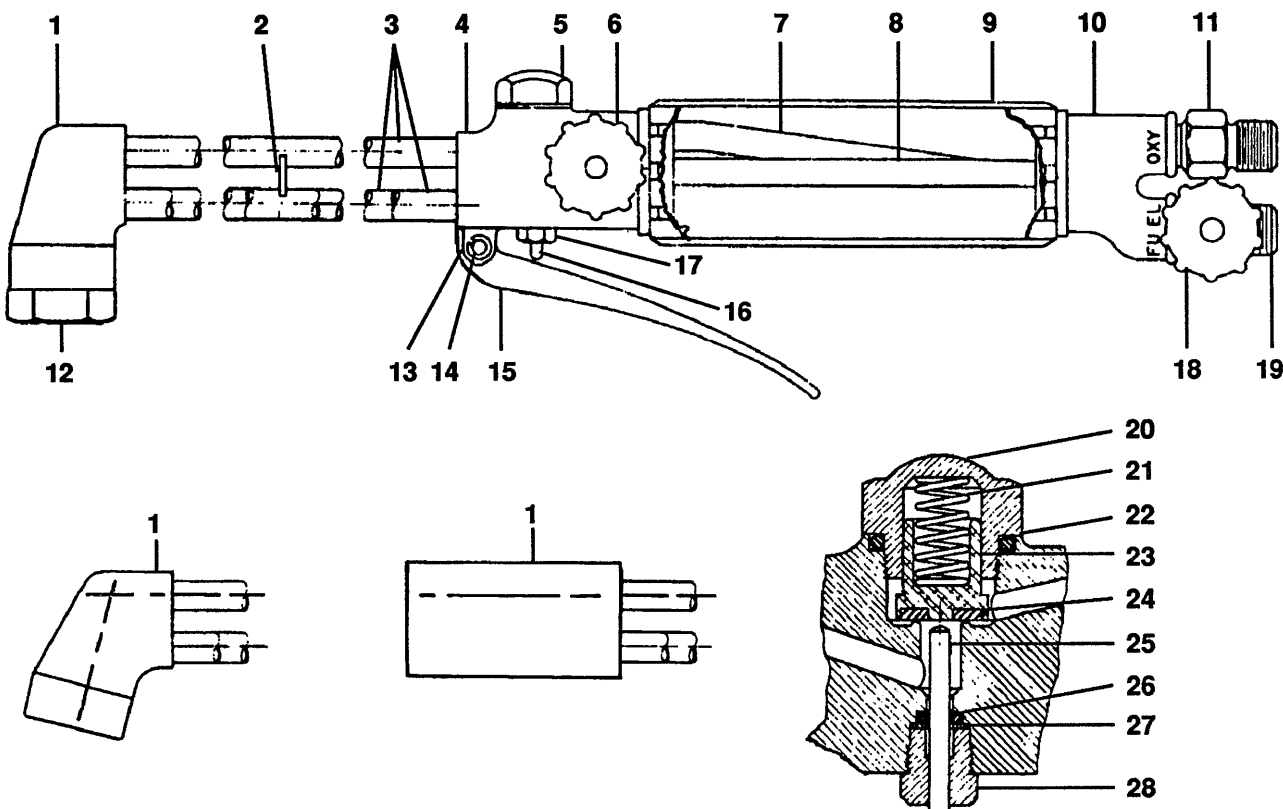
Model Master Rigger

Hand Cutting Torch



REF. NO.	MFG. NO.	S-S NO.	DESCRIPTION	CODE	REF. NO.	MFG. NO.	S-S NO.	DESCRIPTION	CODE
Master Rigger			Hand Cutting Torch, 18", Acety.	A	6	4022		Handle	A-D
Master Rigger			Hand Cutting Torch, 21", Acety.	B	7	20X23		Handle Screw	A-D
Master Rigger			Hand Cutting Torch, 18", Propane	C	8	4034		Rear Body	A-D
Master Rigger			Hand Cutting Torch, 21", Propane	D	9	SS37X41		Lockwasher	A-D
1	4015		Head, 75 Degree	A-D	10	3023-2		H. P. Valve Lever Screw	A-D
	40A15		Head, 90 Degree	A-D	11	A2003	UN-062	Needle Valve Stem Assembly	A-D
	40B15		Head, 180 Degree	A-D	12	E40		H. P. Valve Lever Assembly	A-D
2	4059	UN-044	Tip Nut	A-D	13	40X39		Handle Screw	A-D
3	4058	UN-160	Injector Nozzle, Acetylene	A, B	14	4018		Gas Tubes for 18" Torches	A, C
	40F58		Injector Nozzle, Propane	C, D		4018-2		Gas Tubes for 21" Torches	B, D
4	4002		Injector Chamber Cap, Acety.	A, B	15	4024	UN-063	H. P. Valve	A-D
	40F02		Injector Chamber Cap, Propane	C, D	16	H40		H. P. Valve Seat Assembly	A-D
5	4020		Handle Front Piece	A-D	17	4002-2	UN-192	H. P. Valve Cap	A-D
					18	40X83		H. P. Valve Spring	A-D
					19	D40		H. P. Valve Packing Assembly	A-D
					20	4014		Gasket	A-D
					21	X01RS	UN-009	O-Ring	A-D
					22	4023		H. P. Plunger Screw	A-D

Uniweld Model Mil-Air Hand Cutting Torch

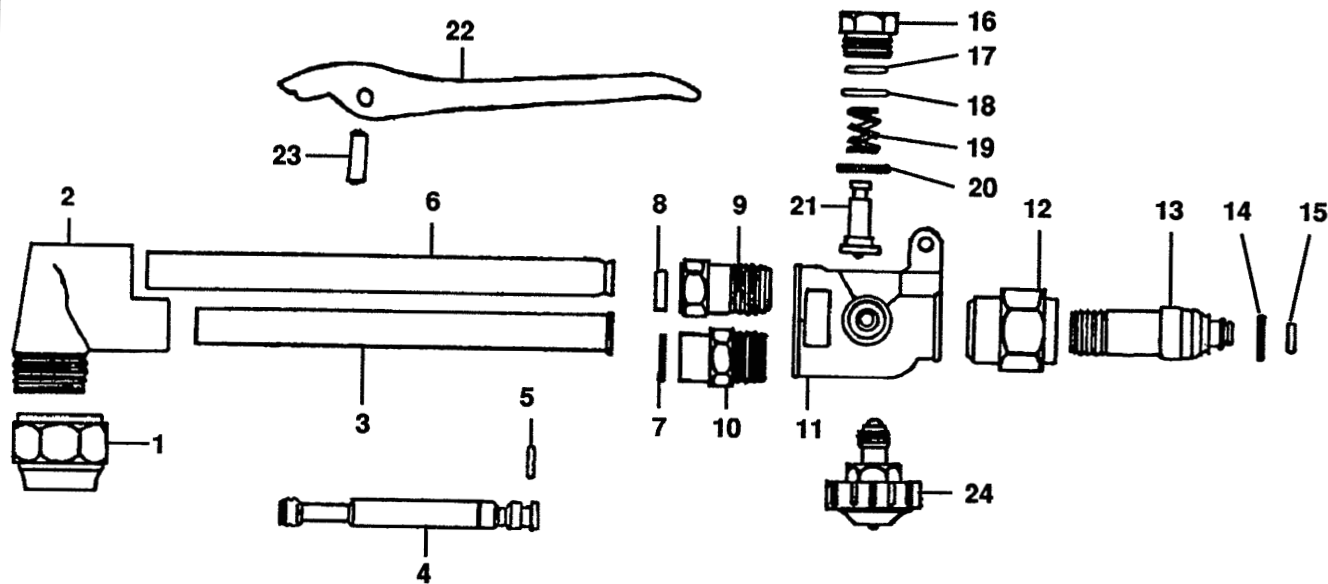


REF. NO.	MFG. NO.	S-S NO.	DESCRIPTION	CODE	REF. NO.	MFG. NO.	S-S NO.	DESCRIPTION	CODE
54			20 1/2", Bronze, 75 Degree	A	9	5422		Handle	A-E
54A			20 1/2", Bronze, 90 Degree	B	10	5434		Rear Body	A-E
54B			20 1/2", Bronze, 180 Degree	C	11	5405		Rear Nipple, Oxygen	A-E
56			20 1/2", Stainless, 75 Degree	D	12	5459-3		Tip Nut	A-E
56A			20 1/2", Stainless, 90 Degree	E	13	54X33		Snap Ring	A-E
1 5415			Bronze Head, 75 Degree	A	14	5466		H. P. Lever Spring	A-E
54A15			Bronze Head, 90 Degree	B	15	5417		H. P. Lever	A-E
54B15			Bronze Head, 180 Degree	C	16	5466-2		H. P. Pin	A-E
5615			Stainless Head, 75 Degree	D	17	5459-2		H. P. Packing Nut	A-E
56A15			Stainless Head, 90 Degree	E	18	A54		Valve Assembly, (Wheel, Nut Packing, Washer, Stem)	A-E
2 5436			Stainless Steel Brace	A-E	19	5434-2		Valve Body Detail, Hi Pressure Valve:	A-E
3 5418-2			Stainless Tube	A-E	20	5402		H. P. Cap	
4 5432			Middle Forging	A-E	21	54X83		H. P. Spring	
5 5402			H. P. Cap	A-E	22	X11R		O-Ring	
6 A54			Valve Assembly, (Wheel, Nut Packing, Washer, Stem)	A-E	23	C54		Spring Retainer & Seat	
7 5418			Bent Brass Tube	A-E	24	54X21		Seat (Available only with A54)	
8 5418-3			Straight Brass Tube	A-E					

Uniweld

Model CA 35

Cutting Attachment

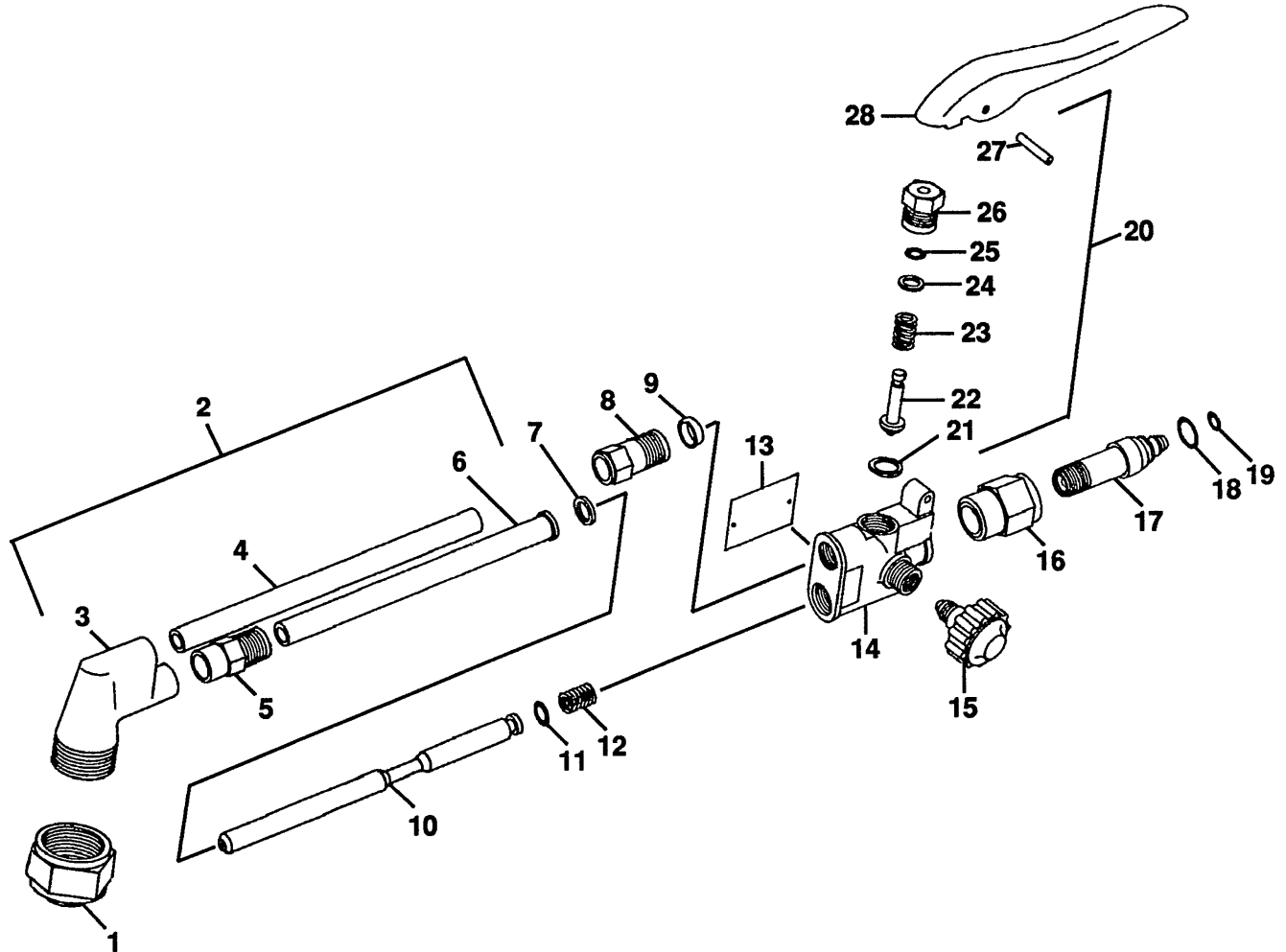


REF. NO.	MFG. NO.	S-S NO.	DESCRIPTION	CODE	REF. NO.	MFG. NO.	S-S NO.	DESCRIPTION	CODE
	CA35		Cutting Attachment		13	3504		Adaptor	
1	7459		Tip Nut		14	X26R	UN-011	O-Ring	
2	35A15		CA Head 90 Degree		15	X25R	UN-012	O-Ring	
3	A3518-2		Mixer Tube Assembly		16	3559-4		H. P. Nut	
4	A3516		Mixer Assembly		17	X02RS	UN-022	O-Ring	
5	X06R	UN-015	O-Ring		18	3541-2		H. P. Spring Washer	
6	3518		Oxygen Tube		19	35X83-2		H. P. Spring	
7	3541		Washer		20	3541-3		H. P. Washer	
8	3511		Ferrule		21	C-35		H. P. Seat Assembly	
9	3559-2		Oxygen Tube Connection		22	3517		H. P. Lever	
10	3559-3		Mixer Tube Connection		23	35X66		Roll Pin	
11	3534		CA Body		24	A-35	UN-018	Valve Assembly	
12	3559-5		Connecting Nut						

Uniweld

Model CA 350

Cutting Attachment

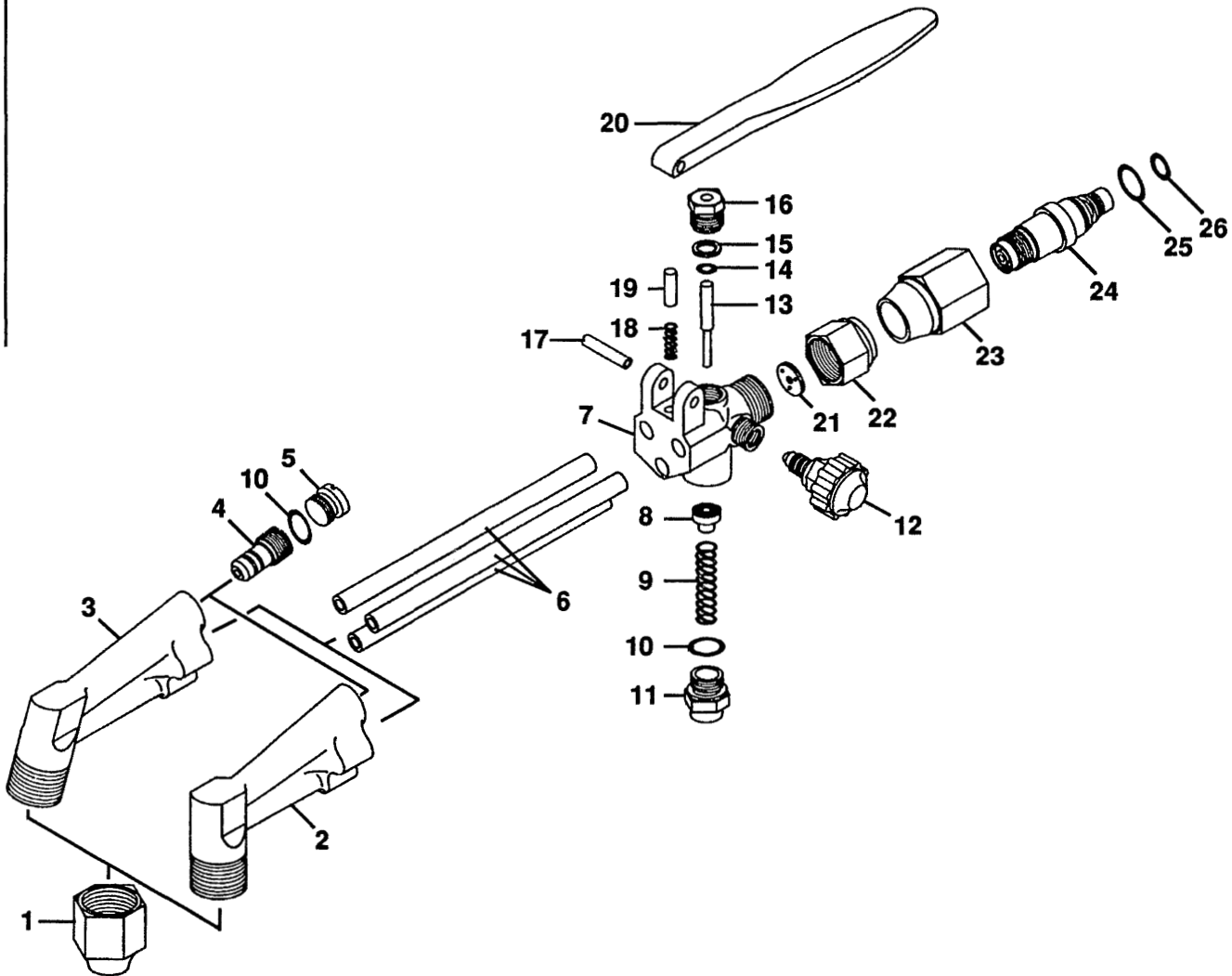


REF. NO.	MFG. NO.	S-S NO.	DESCRIPTION	CODE	REF. NO.	MFG. NO.	S-S NO.	DESCRIPTION	CODE
	CA350		Cutting Attachment		17	35004	UN-207	Adaptor	
1	3559		Tip Nut		*18	X26R	UN-011	O-Ring, Large	
2	350A14		Head & Tube Assembly (2A-D)		*19	X25R	UN-012	O-Ring, Small	
3	350A15	UN-208	Head, 90 Degree		20	C-35-A		H.P. Seat Assembly	
4	35018		H. P. Oxygen Tube		*21	3541-3		Gasket	
5	35059-3		Tube Nut, Mixer Tube		*22	C-35		Seat Assembly	
6	35018-2		Acetylene Tube		*23	35X83		Valve Spring	
* 7	3541		Gasket, Copper		*24	3541-2		Washer, Brass	
8	35059-2		Tube Nut, Oxygen Tube		*25	X02RS	UN-022	O-Ring, H. P.	
* 9	35011		Ferrule		*26	3559-4		H. P. Nut	
* 10	350A16		Mixer Assembly		*27	35X66		Lever Pin, Roll	
* 11	X06R	UN-015	O-Ring (Mixer)		28	3517		Lever	
12	35X83-3		Mixer Spring		*			(Items included in repair kit PK-350)	
13	N/A		Nameplate					For retrofit of a CA35 to the CA350	
14	35034		Body					model order kit number PK-350-1	
* 15	A-35	UN-018	Valve Assembly						
16	3559-5		Coupling Nut						

Uniweld

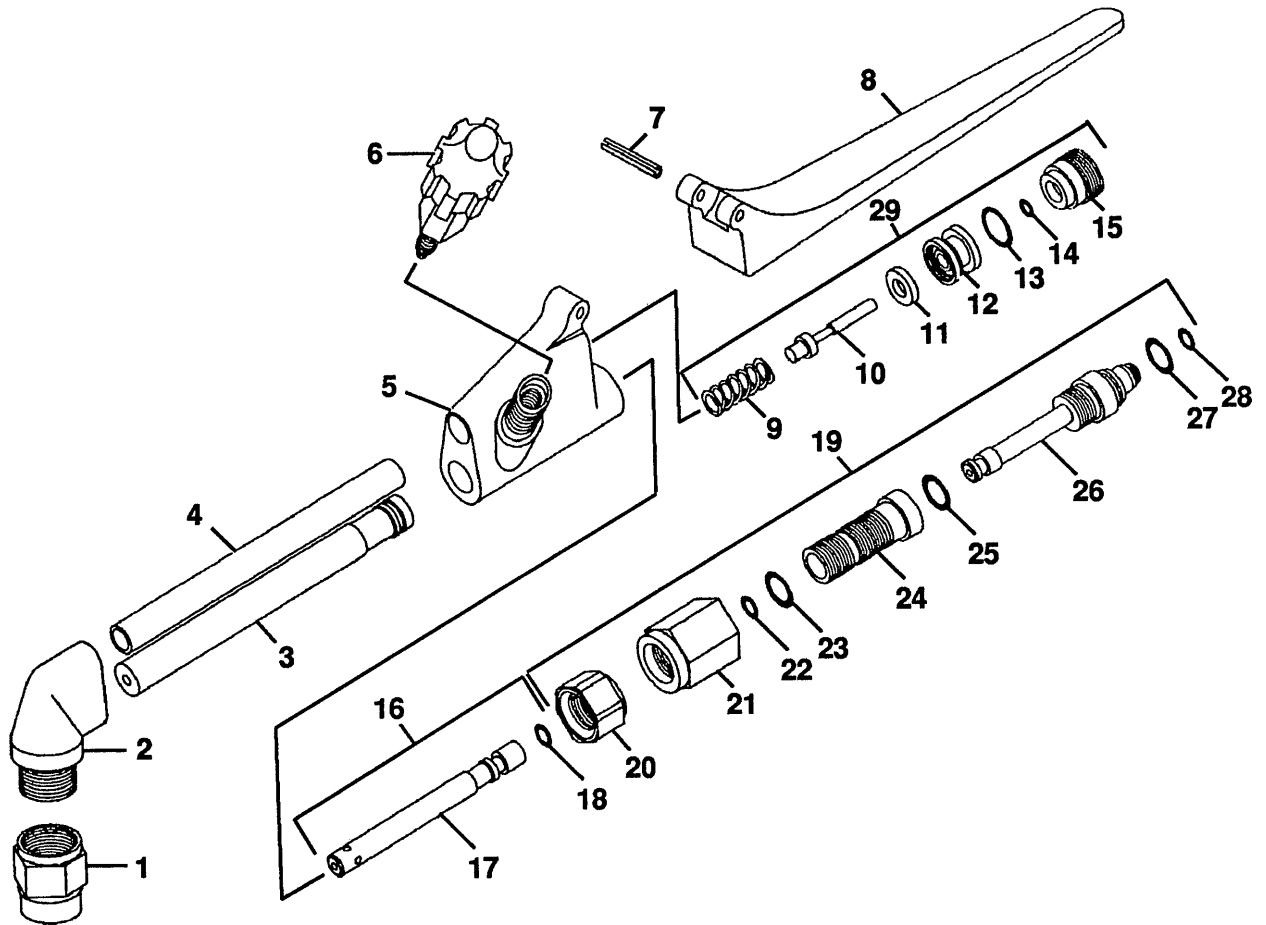
Model CA 43

Cutting Attachment



REF. NO.	MFG. NO.	S-S NO.	DESCRIPTION	CODE	REF. NO.	MFG. NO.	S-S NO.	DESCRIPTION	CODE
	CA43		Cutting Attachment		16	7972		H.P. Packing Screw	
1	4059	UN-044	Tip Nut		17	79X66		Roll Pin	
2	43A15		Head, 90 Degree		18	79X83		Lever Spring	
3	4315		Head, 75 Degree		19	7936		Lever Safety Pin	
4	4358		Mixer		20	7917		Lever	
5	4302		Mixer Cap Screw		21	7941-2	UN-158	Washer	
6	CA7918		Fuel & Oxygen Tubes (3)		22	7959-2		Conn. Nut	
7	CA7934		Body		23	7941-2	UN-153	Adaptor Nut	
8	7921	UN-049	Valve Seat		24	CA4316-2		Adaptor Assy. Ref. 21,24,25,26	
9	54X83	UN-050	Spring		25	X08R	UN-188	O-Ring, small	
10	X04R	UN-033	O-Ring (2)		26	X22R		O-Ring, large	
11	7902		H.P. Valve Plug						
12	WH79A		Valve Stem Assy.						
13	7966-2		H.P. Pin						
14	X06R	UN-015	O-Ring						
15	7941-4		Washer						

Uniweld Model 76A Cutting Attachment

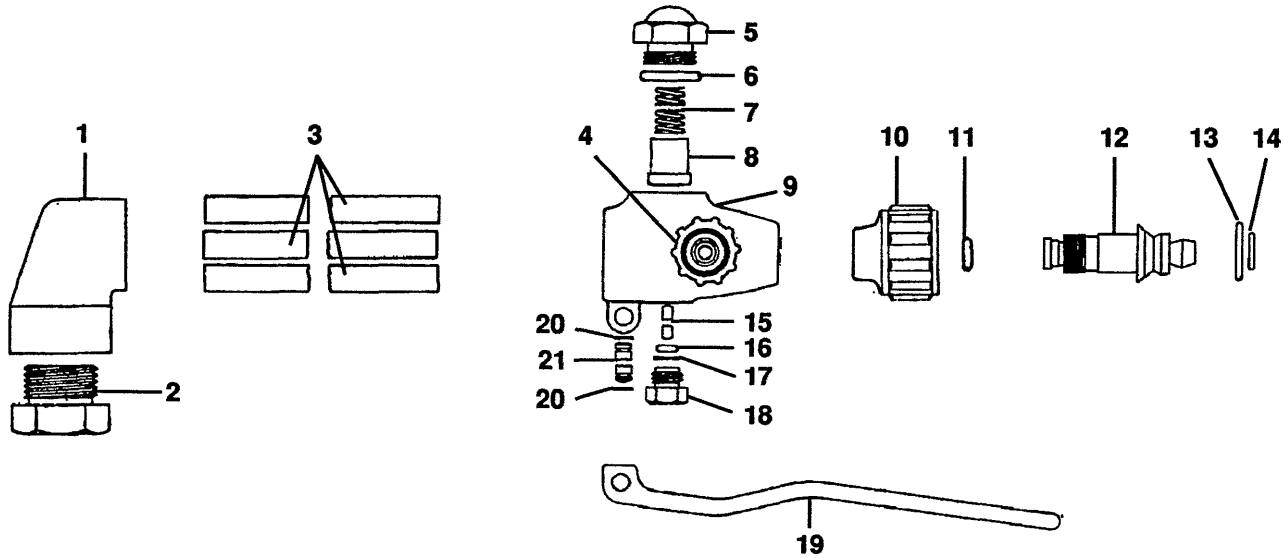


REF. NO.	MFG. NO.	S-S NO.	DESCRIPTION	CODE	REF. NO.	MFG. NO.	S-S NO.	DESCRIPTION	CODE
	76A		Cutting Attachment		16	7516-A	UN-13	Mixer Assy. (17,18) Ref.	
1	7559-3	UN-1	Tip Nut		**17	7516		Mixer	
2	75A15		Head, 90 Degree		18	XO2R	UN-60	O-Ring	
3	7518-2		Mixed Gas Tube		19	7601	UN-3	Adaptor Assy. (20-28 Ref.)	
4	7518		Oxygen Tube		20	7659-2		Lock Nut	
5	7634		Body		21	7659-3		Adaptor Nut	
6	TH-16	UN-2	Valve Stem Assy.		22	XO2R	UN-60	O-Ring	
7	75X66	UN-193	Lever Pin		23	XO8R	UN-188	O-Ring	
8	7517		Lever		24	7601-B		Adaptor Sleeve	
9	RV96X83-3		Spring, H.P. (replaces 75X83)		25	X26R	UN-11	O-Ring	
10	7503		Stem		26	7601-A		Adaptor Insert	
11	75X21	UN-6	Seat		27	X26R	UN-11	O-Ring, large	
12	7538		Retainer		28	X25R	UN-12	O-Ring, small	
13	XO3R	UN-8	O-Ring		29	7540		H.P. Valve Assembly	
14	XO1RS	UN-9	O-Ring					5-40 Thread (F) for extraction	
15	7523		Lock Screw						

Uniweld

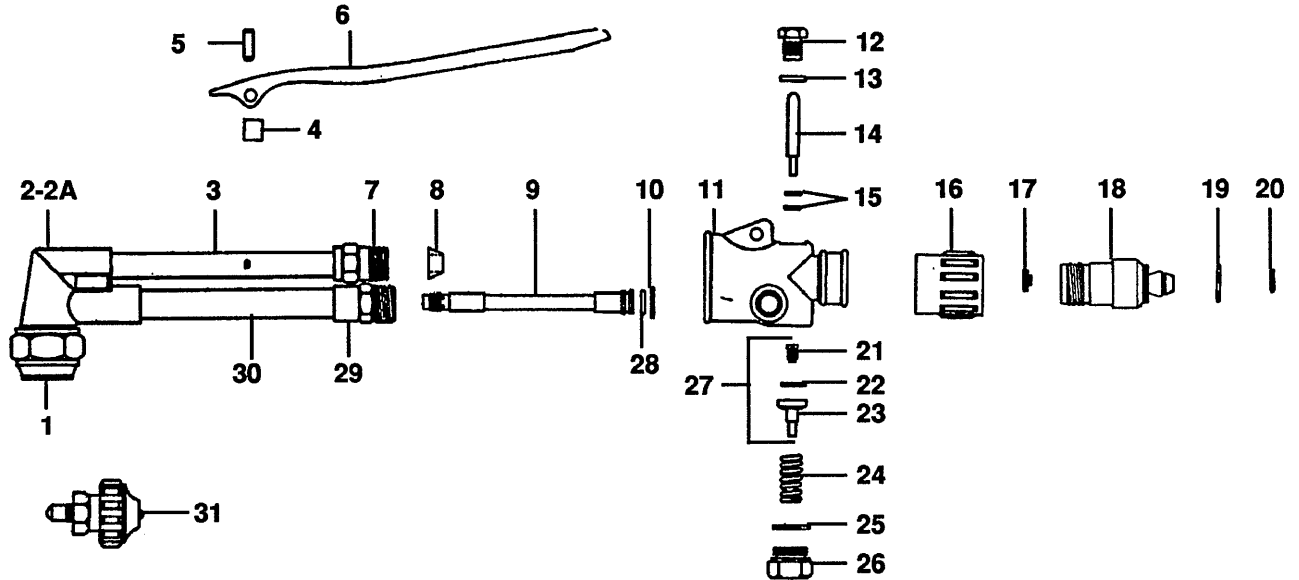
Model 77

Cutting Attachment



REF. NO.	MFG. NO.	S-S NO.	DESCRIPTION	CODE	REF. NO.	MFG. NO.	S-S NO.	DESCRIPTION	CODE
77			Cutting Attachment, 75 Degree	A	11	X02R	UN-060	O-Ring (Included with 7701-2)	A, B
77A			Cutting Attachment, 90 Degree	B	12	7701-2		Adaptor	A, B
1	5415		Head, 75 Degree	A	13	X27R		O-Ring (Included with 7701-2)	A, B
	54A15		Head, 90 Degree	B	14	X28R		O-Ring (Included with 7701-2)	A, B
2	5459-3		Tip Nut	A, B	15	5466-2		H. P. Pin	A, B
3	7718	UN-026	Gas Tubes (3)	A, B	16	X01RS	UN-009	O-Ring	A, B
4	A-72		Valve Assembly	A, B	17	54X41-2		H. P. Washer	A, B
5	5402		Cap	A, B	18	5459-2		H. P. Packing Nut	A, B
6	X11R		O-Ring	A, B	19	7717		Lever	A, B
7	54X83		H. P. Spring	A, B	20	54X33		Snap Ring	A, B
8	C-54	UN-054	Spring Retainer & Seat Assembly	A, B	21	5466		H. P. Lever Pin	A, B
9	7734		Middle Forging	A, B					
10	7759		Adaptor Nut	A, B					

Uniweld Model 78A Cutting Attachment

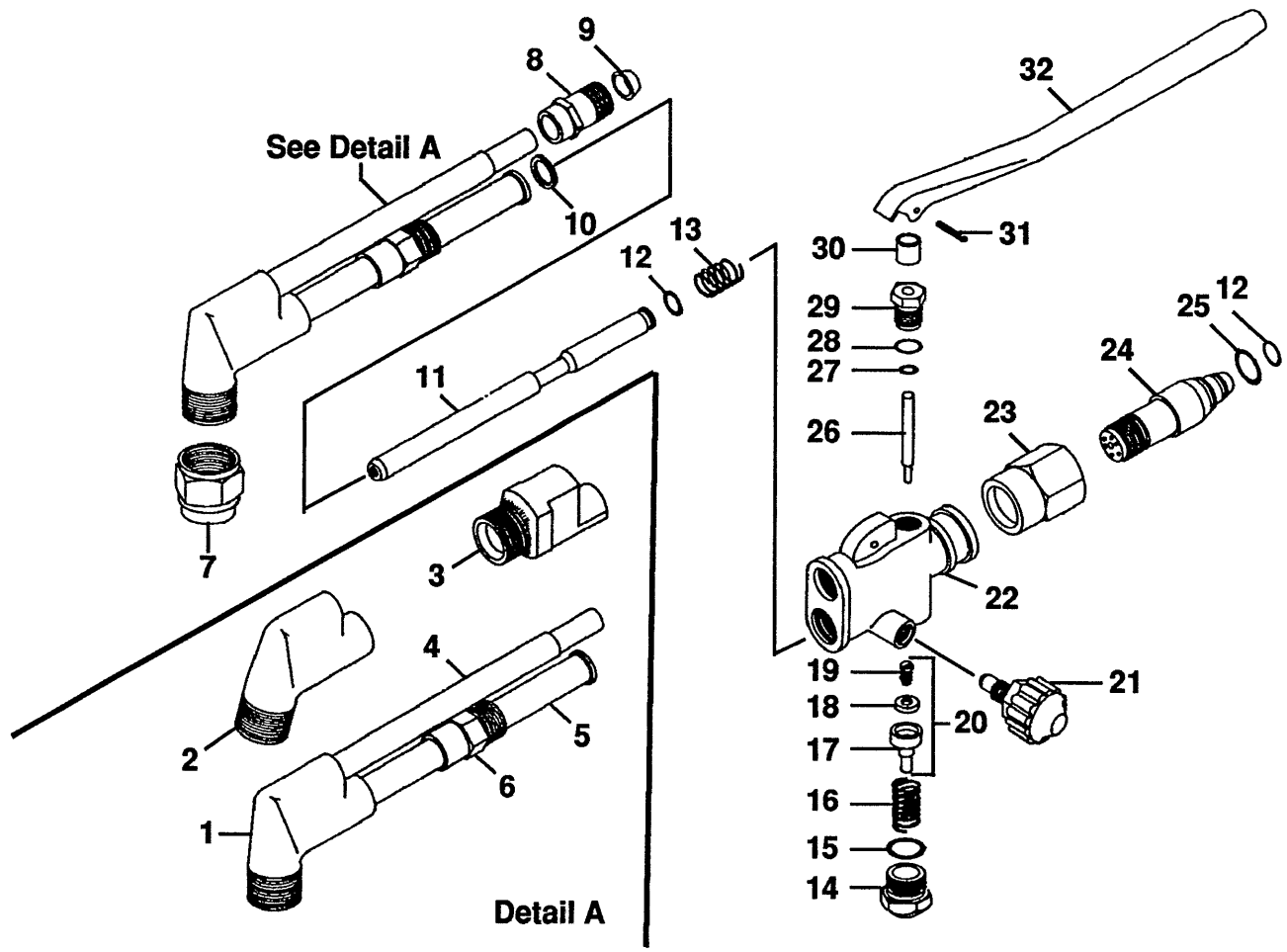


REF. NO.	MFG. NO.	S-S NO.	DESCRIPTION	CODE	REF. NO.	MFG. NO.	S-S NO.	DESCRIPTION	CODE
	78A		Cutting Attachment		15	X02RS	UN-022	O-Ring (2)	
1	7859		Tip Nut		16	7859-4		Adaptor Nut	
2	7815		Head, 75 Degree		17	7841-2		Copper Sealing Washer (Included with 7801)	
2A	78A15		Head, 90 Degree		18	7801		Adaptor	
3	7818		Oxygen Tube		19	X27		O-Ring (Included with 7801)	
4	H36X14N-1		Sleeve		20	X28R		O-Ring (Included with 7801)	
5	78X66		Roll Pin (Use 7823-2 screw)		21	7823		Seat Screw	
6	7817		Lever		22	7821	UN-035	Seat	
7	7859-3		Oxygen Coupling Nut		23	7826		Seat Holder	
8	7814		Oxygen Tube Ferrule		24	78X83	UN-039	H. P. Spring	
9	A7858E		Mixer Assembly (Green Label) (Included with 7801)		25	X04R		O-Ring	
10	7841	UN-159	Washer		26	7843		H. P. Valve Plug	
11	7834		Body		27	C-78	UN-038	Seat Assembly	
12	7899		H. P. O-Ring Retainer		28	X07R		O-Ring (Included with A7858)	
13	X04R		O-Ring		29	7859-2		Acety. Coupling Nut	
14	7803		H. P. Valve Stem		30	7818-2A		Acety. Mixing Tube Assy.	
					31	A72	UN-026	Valve Assembly	

Uniweld

Model 780A

Cutting Attachment

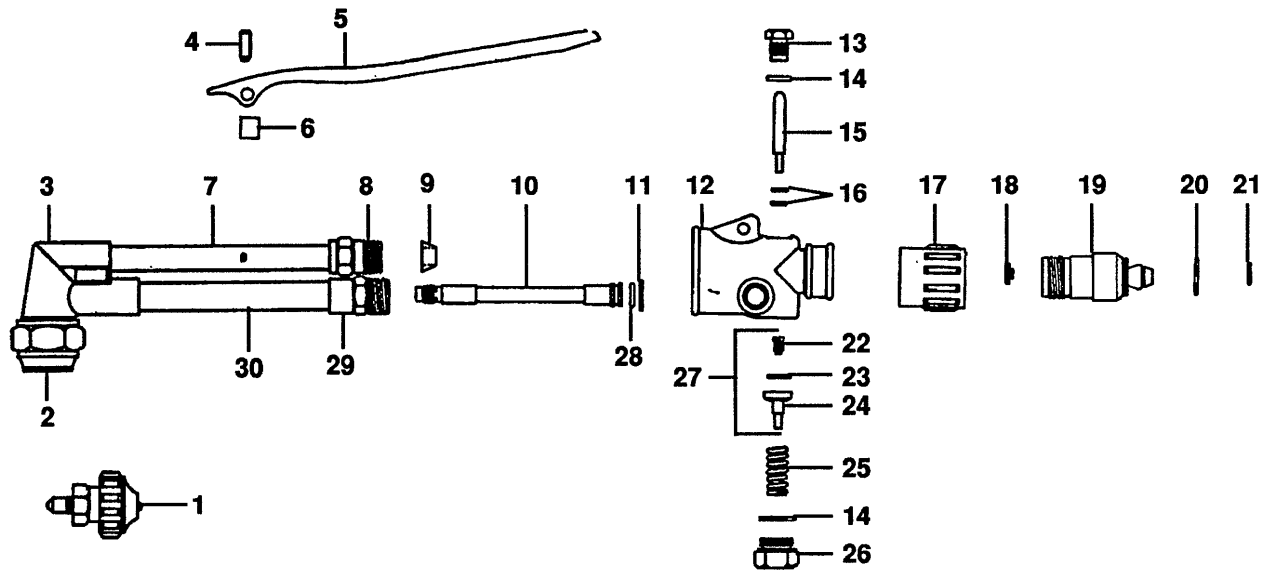


REF. NO.	MFG. NO.	S-S NO.	DESCRIPTION	CODE	REF. NO.	MFG. NO.	S-S NO.	DESCRIPTION	CODE
	780A		Cutting Attachment		17	7826		H. P. Seat Holder	
1	780A15-1	UN-205	Head 90°	(2A-D)	18	7821	UN-035	H. P. Seat	
2	78015		Head 75°		19	7823		Seat Screw	
3	780B15		Head 180°		20	C-78	UN-038	H.P. Seat Assy. (17,18,19)	
4	7818		Oxygen Tube		21	A-72	UN-026	Valve Stem Assembly	
5	78018-2		Acetylene Mixer Tube		22	7834		Body	
6	7859-2		Mixer Tube Conn. Nut		23	7859-4		Adaptor Nut	
7	7859		Tip Nut		24	7801		Adaptor	
8	7859-3		Oxygen Tube Conn. Nut		25	X27R		O-Ring (large)	
9	7814		Oxygen Tube Ferrule		26	7803		H.P. Valve Stem	
10	7841	UN-159	Washer, copper		27	XO2RS	UN-022	O-Ring (small) H.P.	
11	78016-3		Mixer - 1 pc. copper		28	XO8R	UN-188	O-Ring (large) H.P.	
12	X28R		Mixer, O-Ring		29	7899		H. P. O-Ring Retainer	
	X28R		O-Ring (small)		30	H36X14N-1		Sleeve	
13	780X83-3		Mixer Spring		31	78X66		Roll Pin	
14	7843		H.P. Valve Plug		32	7817		Lever	
15	X15R		O-Ring, Valve Plug		33	78015-18		Head & Tube Assy. Only	
16	78X83	Un-039	H.P. Spring						

Uniweld

Model 3-78A

Cutting Attachment

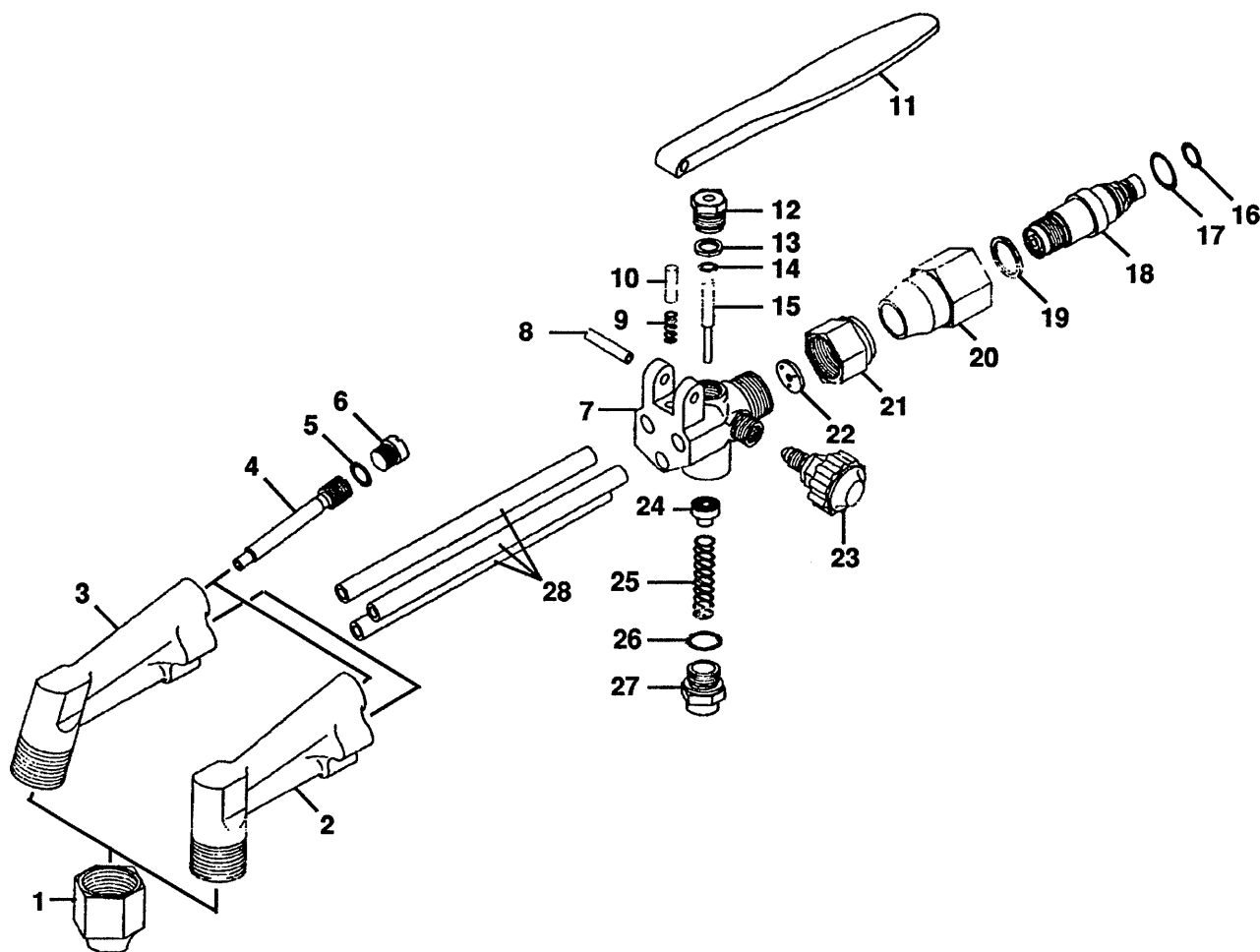


REF. NO.	MFG. NO.	S-S NO.	DESCRIPTION	CODE	REF. NO.	MFG. NO.	S-S NO.	DESCRIPTION	CODE
	3-78A		Cutting Attachment, 90 Degree Head		17	7859-4		Adaptor Nut	
1	A72	UN-026	Valve Assembly		18	7841-2		Copper Sealing	
2	3-7859		Tip Nut					Washer	
3	3-78A15		Head, 90 Degree		19	7801		Adaptor	
4	78X66		Roll Pin		20	X27R		O-Ring	
5	7817		Lever		21	X28R		O-Ring	
6	H36X14N-1		Sleeve		22	7823		Seat Screw	
7	7818		Oxygen Tube		23	7821	UN-035	Seat	
8	7859-3		Oxygen Coupling Nut		24	7826		Seat Holder	
9	7814		Oxygen Tube Ferrule		25	78X83	UN-039	H. P. Spring	
10	A7858		Mixer Assembly		26	7843		H. P. Valve Plug	
11	7841	UN-159	Washer		27	C-78	UN-038	Seat Assembly	
12	7834		Body					Consists of:	
13	7899		H. P. O-Ring Retainer		28	X07R		O-Ring	
14	X04R		O-Ring		29	7859-2		Acetylene Coupling Nut	
15	7803		H. P. Valve Stem		30	7818-2A		Acety. Mixing Tube Assy.	
16	X02RS	UN-022	O-Ring (2)						

Uniweld

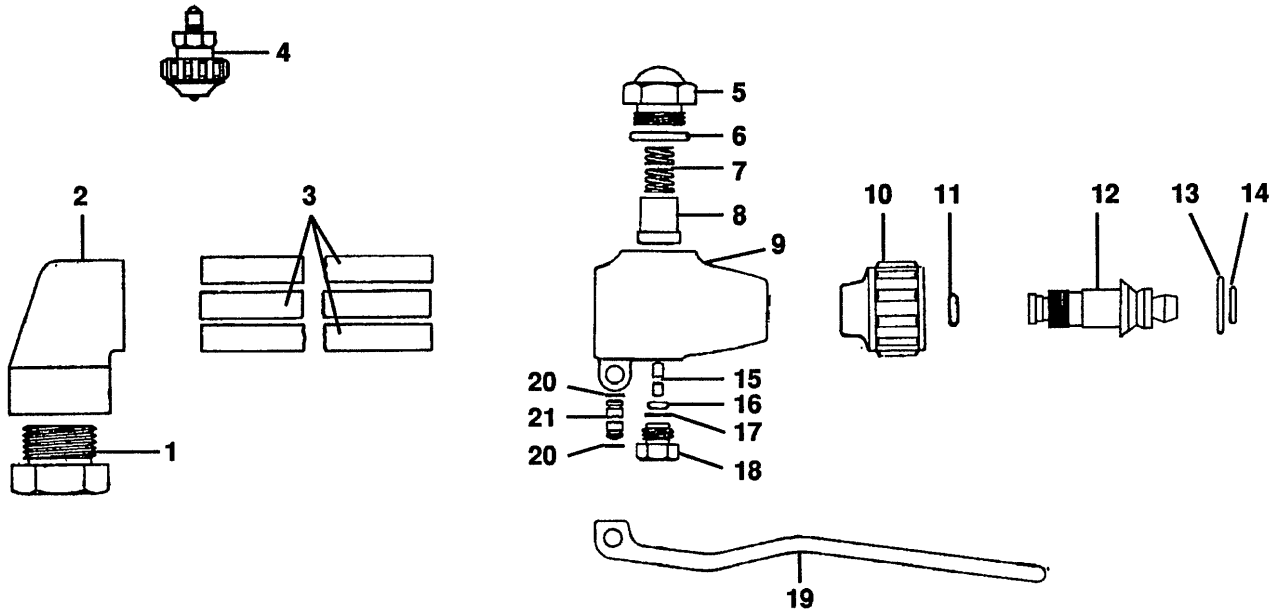
Model CA 79

Cutting Attachment



REF. NO.	MFG. NO.	S-S NO.	DESCRIPTION	CODE	REF. NO.	MFG. NO.	S-S NO.	DESCRIPTION	CODE
	CA79		Cutting Attachment		15	7966-2		H. P. Pin	
1	4059	UN-044	Tip Nut		16	X20RS		O-Ring (Included with #7916-2)	
2	CA79A15		Head, 90 Degree		17	X21RS		O-Ring (Included with #7916-2)	
3	CA7915		Head, 75 Degree		18	7916-2		Adaptor	
4	7916	UN-051	Mixer		19	7941-3		Friction Washer	
5	X26R	UN-011	O-Ring					(Included with #7916-2)	
6	7959		Mixer Cap Screw		20	7959-2		Adaptor Nut	
7	CA7934		Body		21	7959-3		Connecting Nut	
8	79X66		Roll Pin		22	7941-2		Washer	
9	79X83		Lever Spring		23	WH79A	UN-042	Valve Assembly	
10	7936		Lever Safety Pin		24	7921		Valve Seat	
11	7917		Lever		25	54X83		Spring	
12	7972		H. P. Packing Screw		26	X04R		O-Ring	
13	7941-4		Washer		27	7902		H. P. Valve Plug	
14	X06R	UN-015	O-Ring		28	CA7918		Fuel & Oxygen Tubes (3)	

Uniweld Model 98 Cutting Attachment

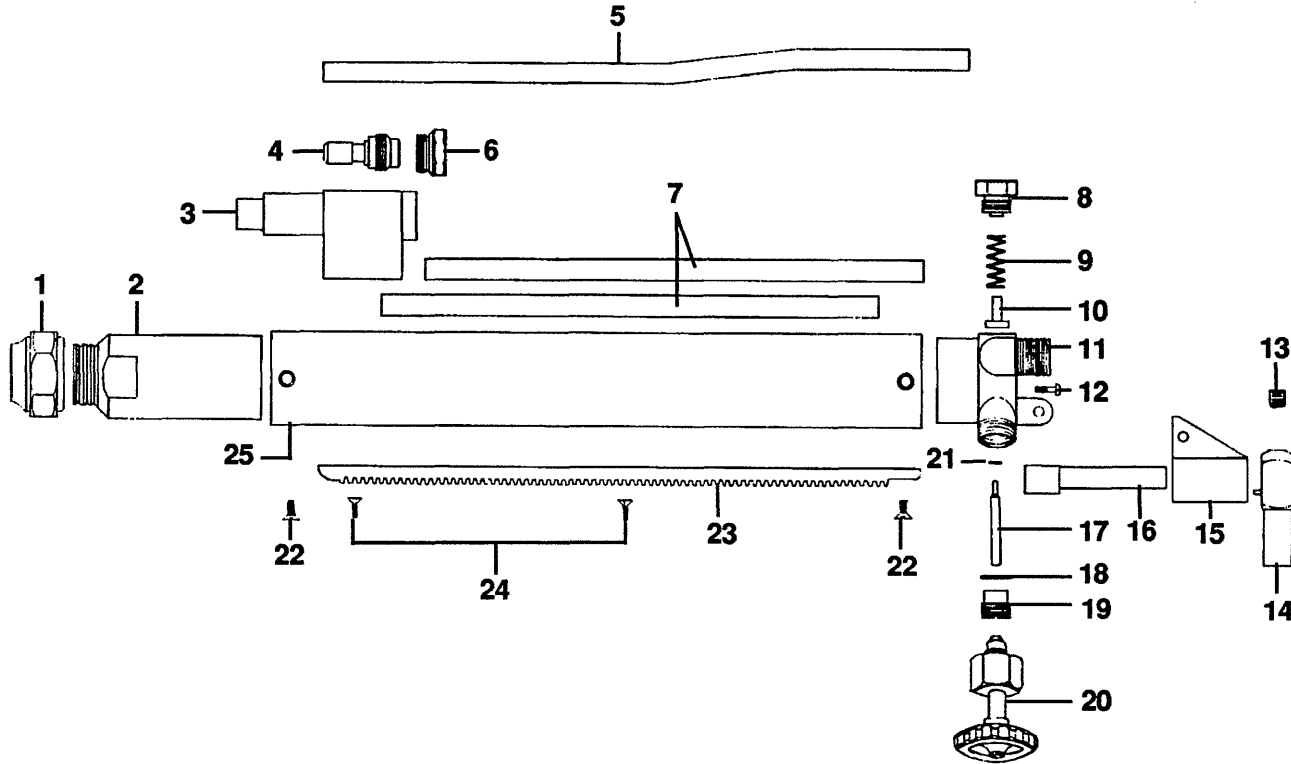


REF. NO.	MFG. NO.	S-S NO.	DESCRIPTION	CODE	REF. NO.	MFG. NO.	S-S NO.	DESCRIPTION	CODE
	98		Cutting Attachment		11	X02R	UN-060	O-Ring (Included with #7798-01)	
1	5459-3		Tip Nut		12	7798-01		Adaptor	
2	54A15		Head, 90 Degree		13	X32R		O-Ring (Included with #7798-1)	
2A	5415		Head, 75 Degree		14	X31R		O-Ring (Included with #7798-1)	
3	7718		Gas Tubes (3)		15	5466-2		H. P. Pin	
4	A72	UN-026	Valve Assembly		16	X01RS	UN-009	O-Ring	
5	5402		Cap		17	54X41-2		H. P. Washer	
6	X11R		O-Ring		18	5459-2		H. P. Packing Nut	
7	54X83		H. P. Spring		19	7717		Lever	
8	C-54	UN-054	Spring Retainer & Seat Ass'y		20	54X33		Snap Ring (2)	
9	7734		Middle Forging		21	5466		H. P. Lever Pin	
10	7798-59		Adaptor Nut						

Uniweld

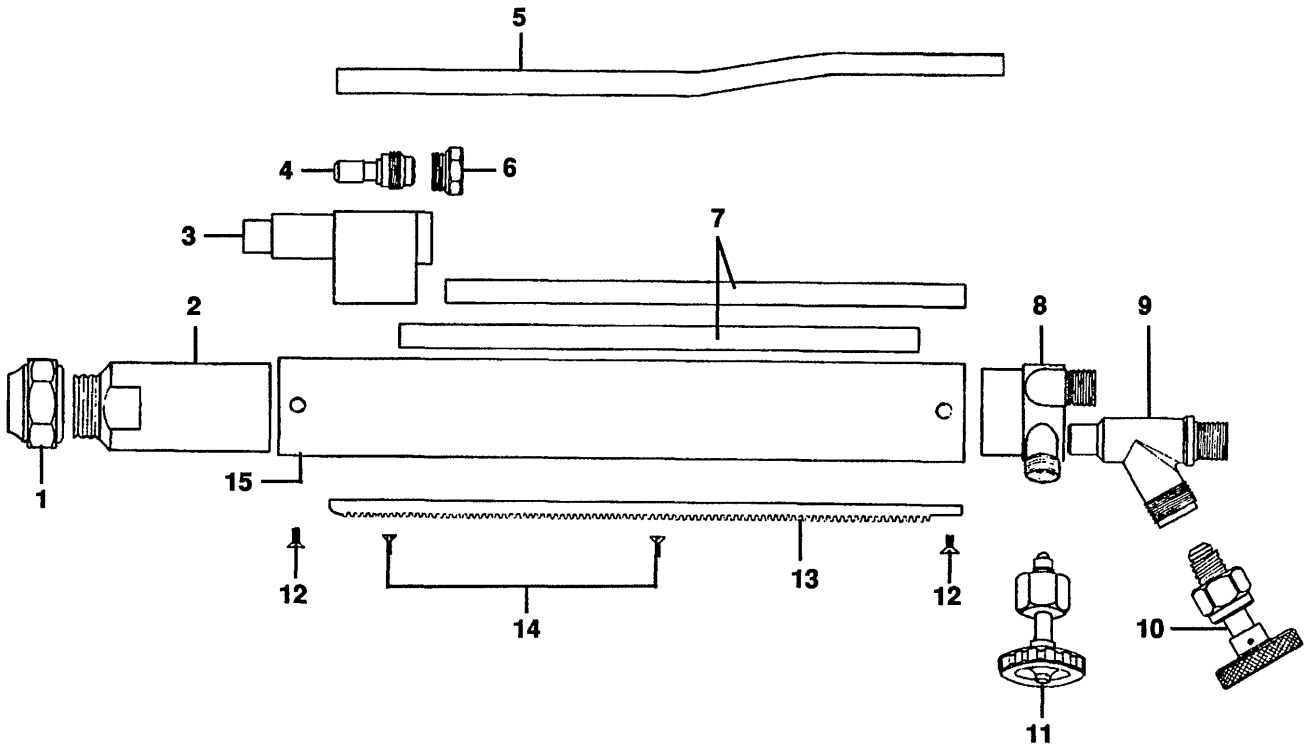
Two Hose Machine

Cutting Torch



REF. NO.	MFG. NO.	S-S NO.	DESCRIPTION	CODE	REF. NO.	MFG. NO.	S-S NO.	DESCRIPTION	CODE
1	4059	UN-044	Tip Nut, Harris		10	H40	UN-063	H. P. Seat Assy	
	5459-3		Tip Nut, Airco		11	6234-2		Rear Body	
	7859		Tip Nut, Victor		12	3023-2		H. P. Lever Screw	
	2059		Tip Nut, Oxxweld		13	6223-3		H. P. Lever Set Screw	
2	6215B	UN-160	Head, Harris		14	6217	H. P. Lever		
	6415B		Head, Airco		15	6253	H. P. Cam Holder		
	6715B		Head, Victor		16	6253-2	H. P. Cam		
	6815B		Head, Oxxweld		17	4024	H. P. Plunger		
					18	4014	Gasket		
3	6234	UN-192	Mixer Body		19	4023	H. P. Plunger Screw		
4	4058		Mixer, Acetylene		20	A2003	Valve Assembly		
	40F58		Mixer, Propane		21	X01RS	O-Ring		
5	6218-7		H. P. Oxygen Tube, 6"		22	6223	Handle Screw (2)		
	6218-8		H. P. Oxygen Tube, 10"		23	6250	Rack, 32 Pitch, 6"		
	6218-9	H. P. Oxygen Tube, 18"			6250-2	Rack, 32 Pitch, 10"			
6	4002		Mixer Cap Nut, Acetylene			6250-3	Rack, 32 Pitch, 18"		
	40F02		Mixer Cap Nut, Propane			6251	Rack, 24 Pitch, 6"		
7	6218		Fuel Tube, 6"			6251-2	Rack, 24 Pitch, 10"		
	6218-2		Fuel Tube, 10"			6251-3	Rack, 24 Pitch, 18"		
	6218-3		Fuel Tube, 18"		24	6223-2	Rack Screw (2)		
	6218-4		Fuel Tube, Airco, 6"		25	6222	Handle Tube, 6"		
	6218-5		Fuel Tube, Airco, 10"			6222-2	Handle Tube, 10"		
	6218-6		Fuel Tube, Airco, 18"			6222-3	Handle Tube, 18"		
8	4002-2		H. P. Valve Cap						
9	40X83		H. P. Valve Spring						

Uniweld Three Hose Machine Cutting Torch

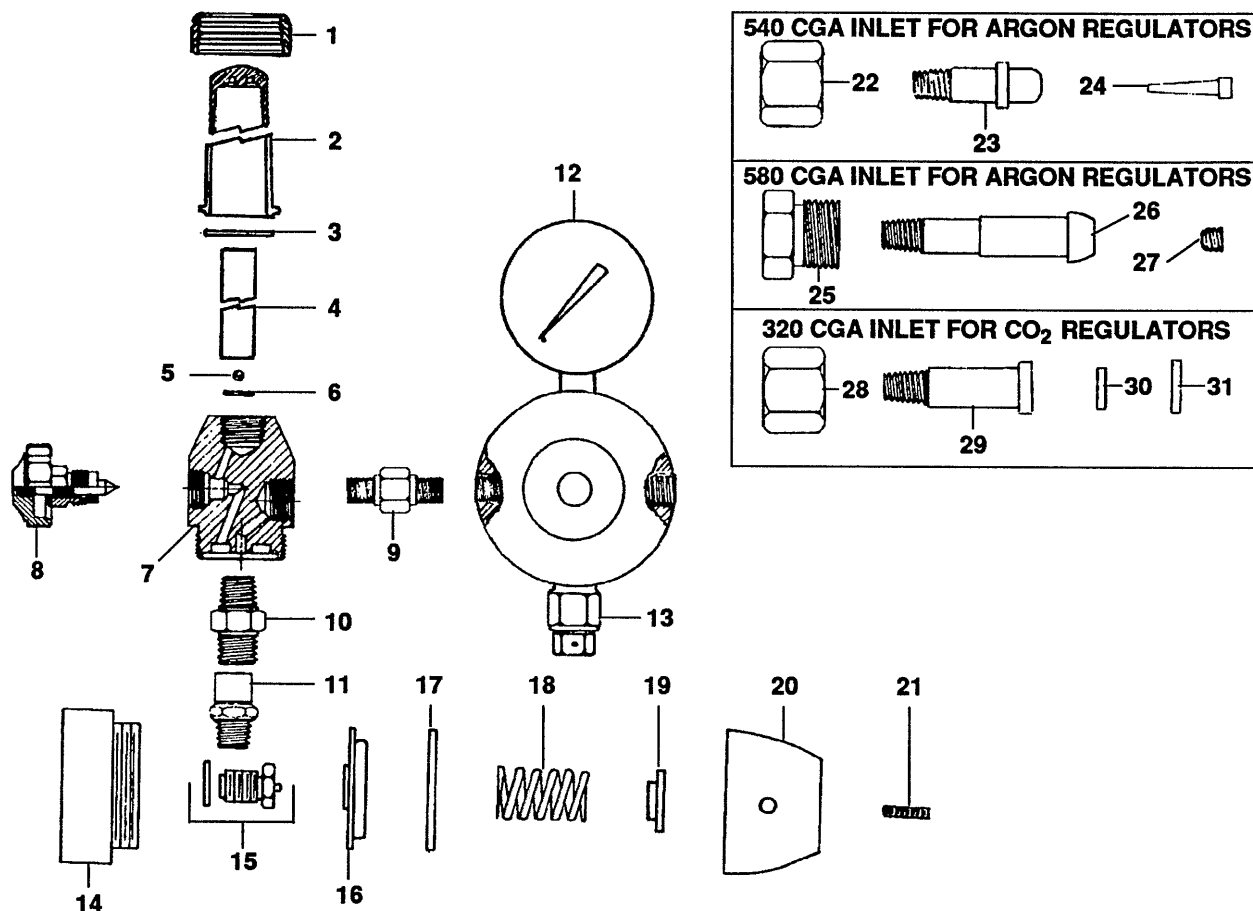


REF. NO.	MFG. NO.	S-S NO.	DESCRIPTION	CODE	REF. NO.	MFG. NO.	S-S NO.	DESCRIPTION	CODE
1	4059	UN-044	Tip Nut, Harris		10	A6203	UN-062	H. P. Valve Assembly	
	5459-3		Tip Nut, Airco		11	A2003		Valve Assembly	
	7859		Tip Nut, Victor		12	6223		Handle Screw (2)	
	2059		Tip Nut, Oxweld		13	6250		Rack, 32 Pitch, 6"	
2	6215B		UN-160	Head, Harris				6250-2	Rack, 32 Pitch, 10"
	6415B	Head, Airco				6250-3		Rack, 32 Pitch, 18"	
	6715B	Head, Victor				6251		Rack, 24 Pitch, 6"	
	6815B	Head, Oxweld				6251-2		Rack, 24 Pitch, 10"	
3	6234	Mixer Body				6251-3		Rack, 24 Pitch, 18"	
4	40N58	Mixer, Acety., L.P. Nat. Gas			14	6223-2		Rack Screw (2)	
	40F58	Mixer, Propane			15	6222	Handle Tube, 6"		
5	6218-7	H. P. Oxygen Tube, 6"				6222-2	Handle Tube, 10"		
	6218-8	H. P. Oxygen Tube, 10"				6222-3	Handle Tube, 18"		
	6218-9	H. P. Oxygen Tube, 18"							
6	4002	Mixer Cap Nut, Acetylene							
	40F02	Mixer Cap Nut, Propane							
7	6218	Fuel Tube, 6" (2)							
	6218-2	Fuel Tube, 10" (2)							
	6218-3	Fuel Tube, 18" (2)							
	6218-4	Fuel Tube, Airco, 6" (2)							
	6218-5	Fuel Tube, Airco, 10" (2)							
	6218-6	Fuel Tube, Airco 18" (2)							
8	6234-2	Rear Body							
9	6225	Valve Body							

Uniweld

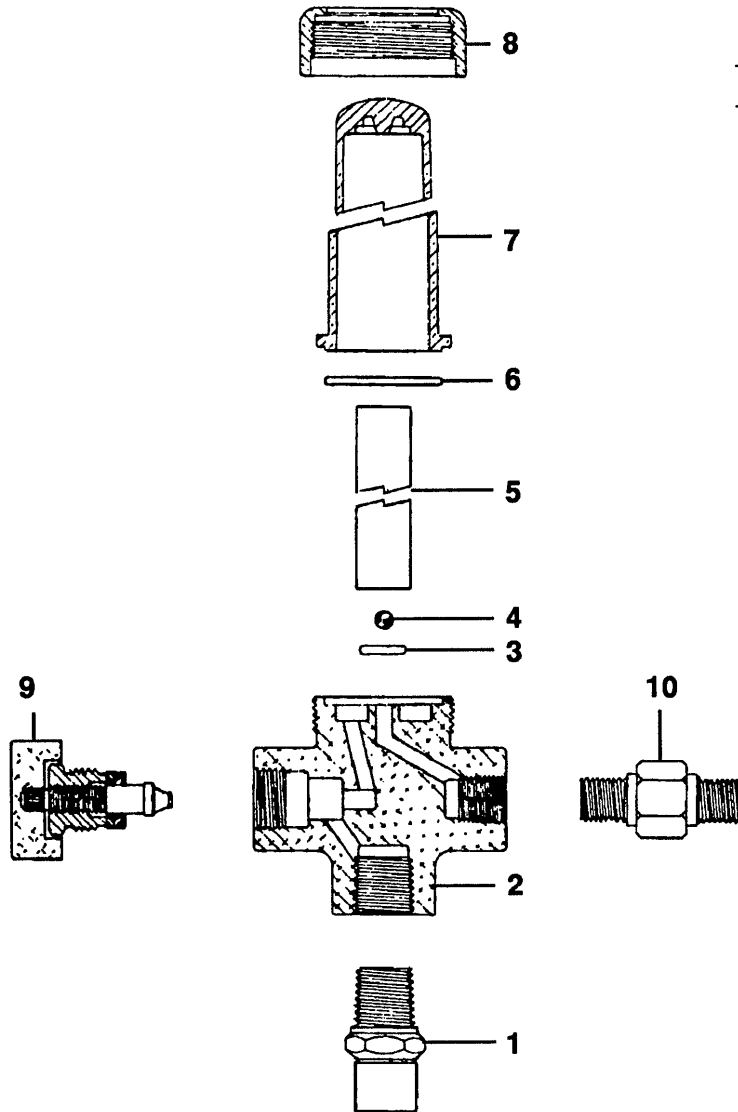
Model CEF

Flowmeter Regulators



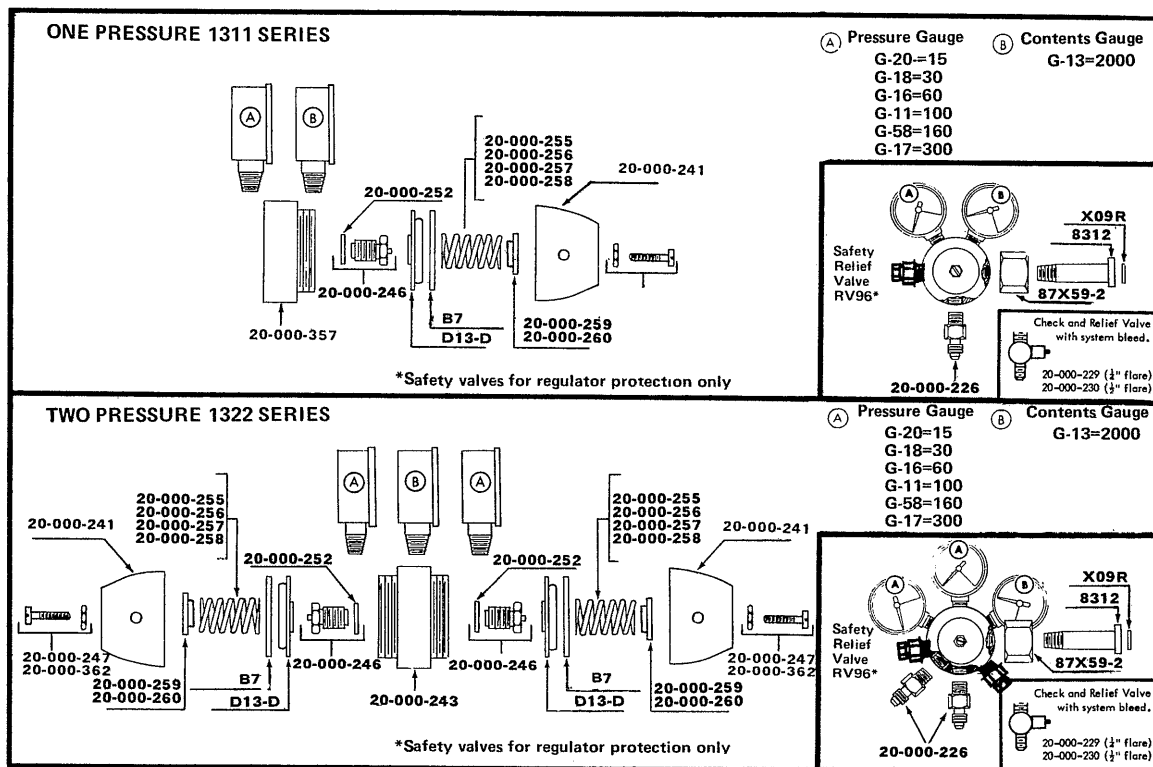
REF. NO.	MFG. NO.	S-S NO.	DESCRIPTION	CODE	REF. NO.	MFG. NO.	S-S NO.	DESCRIPTION	CODE
	CEF14	UN-134	Argon Flowmeter Regulator	A		G-13		Gauge, 2000lb 1 1/2" (CO ₂)	E
	CEF14-2		Argon Flowmeter Regulator	B	13	RV-96	UN-085	Safety Valve	A-E
	CEF14-3		Argon Flowmeter Regulator	C	14	1334		Regulator Body	A-E
	CEF14-4		Argon Flowmeter Regulator	D	15	20-000-246		S. S. Valve Seat Assembly	A-E
	CEF13		CO ₂ Flowmeter Regulator	E	16	D-13-D		Diaphragm Assembly	A-E
1	UAF-19		Tube Cover Retaining Ring	A-E	17	20-000-251		Diaphragm Slip Ring	A-E
2	UAF-22		Flowmeter Tube Cover	A-E	18	13EX83	UN-165	P. A. Spring	A-E
3	X34R		O-Ring	A-E	19	13EX28-5		H. P. Spring Button	A-E
4	UAF-18		Flowmeter Tube (Argon Model)	A-D	20	1302		Chromed Regulator Cap	A-E
	UCF-18		Flowmeter Tube (CO ₂ Model)	E	21	019-008-01		Socket Set Screw	A-E
5	UAF-20		Float (Argon)	A-D	22	8059-2		Inlet Nipple	A, C
	UCF-20		Float (CO ₂)	E	+23	RU-12		Inlet Gland	A, C
6	X28R		O-Ring	A-E	24	80X31-2		Metal Filter	A, C
7	UAF-34		Body	A-E	25	87X59		Inlet Nut	B, D
8	UAF-A	Valve Assembly	A-E	+26	2-1205		Inlet Gland	B, D	
9	1348	Inlet Connection	A-E	27	MC-23A		Filter Screw Assembly	B, D	
10	8011	Male Adaptor (CEF 13, 14, & 14-2)	A,B,E	28	20-000-231		CO ₂ Inlet Nut	E	
11	UAF-80	Outlet Connection (CEF 14-3 & 14-4)	C,D	29	8312		Inlet Gland	E	
12	G-52	Gauge, 4000lb 1 1/2" (Argon)	A-D	30	20-000-249		Inlet O-Ring	E	
				31	83X41		Inlet Washer (Fiber)	E	
				+			(Includes Filter No. 80X31-2)		

Uniweld Flowmeters



REF. NO.	MFG. NO.	S-S NO.	DESCRIPTION	CODE	REF. NO.	MFG. NO.	S-S NO.	DESCRIPTION	CODE
1	UAF-14 UCF-13 UOF-10 UOF-80 UAF-80		Flowmeter, Argon Flowmeter, CO2 Flowmeter, Med-Oxygen Outlet 5/8-18 FM "RH" Outlet Connection	A B C C A,B	5	UAF-18 UCF-18 UOF-18		Flowmeter Tube Flowmeter Tube Flowmeter Tube	A B C
2	UAF-34 UOF-34		Body Body	A, B C	6	UAF-OR-2		O-Ring	A-C
3	UAF-OR-1		O-Ring	A-C	7	UAF-22	UN-134	Flowmeter Tube Cover	A-C
4	UAF-20 UCF-20 UOF-20		Float Float Float	A B C	8	UAF-19 UOF-19		Tube Cover Retaining Ring Tube Cover Retaining Ring	A, B C
					9	UAF-A UOF-A		Valve Stem Assembly Valve Stem Assembly	A, B C
					10	1348 UOF-80-1		Inlet Connection Inlet Connection	A, B C

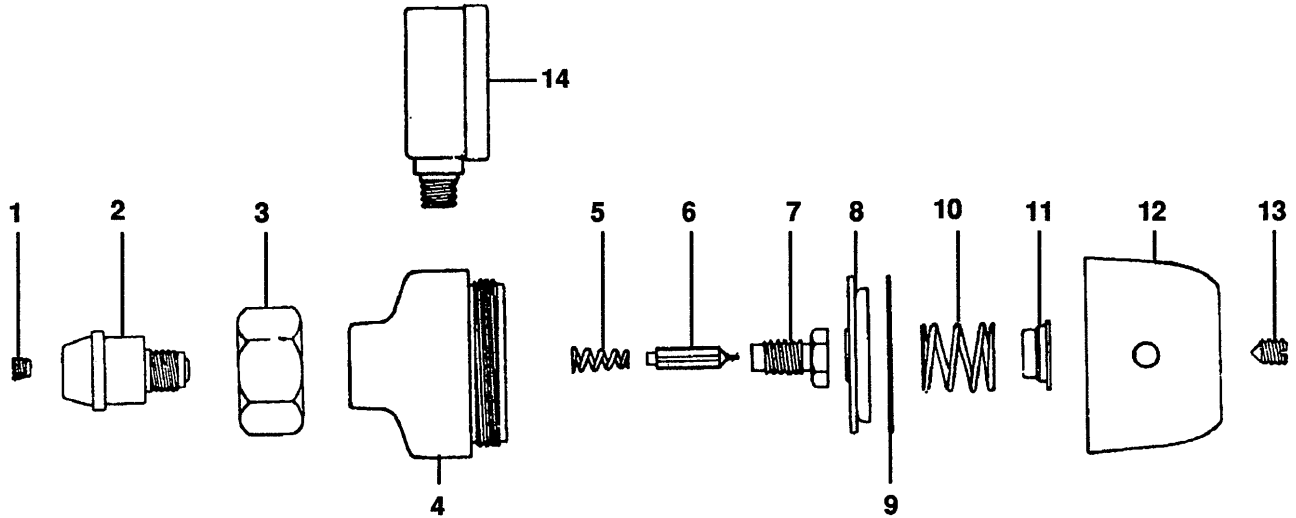
Uniweld Carbon Dioxide Regulators



MFG. NO.	S-S NO.	DESCRIPTION	MFG. NO.	S-S NO.	DESCRIPTION
20-000-225		Spanner Wrench Tool	20-000-247		Pressure Adjusting Screw and Lock Nut
20-000-226		Reverse Flow Check Valves (1/4" flare)	20-000-362		P.A. Screw and Lock Nut
20-000-227		Reverse Flow Check Valves (1/2" flare)	83X41		Inlet Gland Washer (fiber)
20-000-229		Check and Relief Valve with system bleed (1/4" flare)	X09R		O-Ring (Do not use with washer)
20-000-230		Check and Relief Valve with system bleed (1/2" flare)	D13-D		Diaphragm Assembly
8159-3		Inlet Nut Gland	B7	UN-146	Slip Ring
8312		Inlet Gland	20-000-252	UN-147	Teflon Washer
G-20		Low Pressure Gauge, 15 lb.	20-000-255		Pressure Adjusting Spring, 30 lb.
G-18		Low Pressure Gauge, 30 lb.	20-000-256		Pressure Adjusting Spring, 60 lb.
G-16		Low Pressure Gauge, 60 lb.	20-000-257		Pressure Adjusting Spring, 1000 lb.
G-11		Medium Pressure Gauge, 100 lb.	20-000-258	UN-165	Pressure Adjusting Spring, 300 lb.
G-58		Medium Pressure Gauge, 160 lb.	20-000-259		Pressure Adjusting Spring Button, Low Pressure
G-17		High Pressure Gauge, 300 lb.	20-000-356		Pressure Adjusting Spring Button, High Pressure
G-13		Tank Contents Gauge, 2000 lb.			
20-000-241		Chromed Regulator Cap			
20-000-357		Single Pressure Regulator Body			
20-000-243		"Back-to-Back" Regulator Body			
RV96-3		Safety Relief Valve, 15-30 PSI			
RV96-4		Safety Relief Valve, 60 PSI			
RV96-5		Safety Relief Valve, 100 PSI			
RV96-6		Safety Relief Valve, 160 PSI			
RV96-7		Safety Relief Valve, 300 PSI			
20-000-246	UN-144	S.S. Valve Seat Housing Assembly			

Note: Safety relief valves are for regulator protection only.

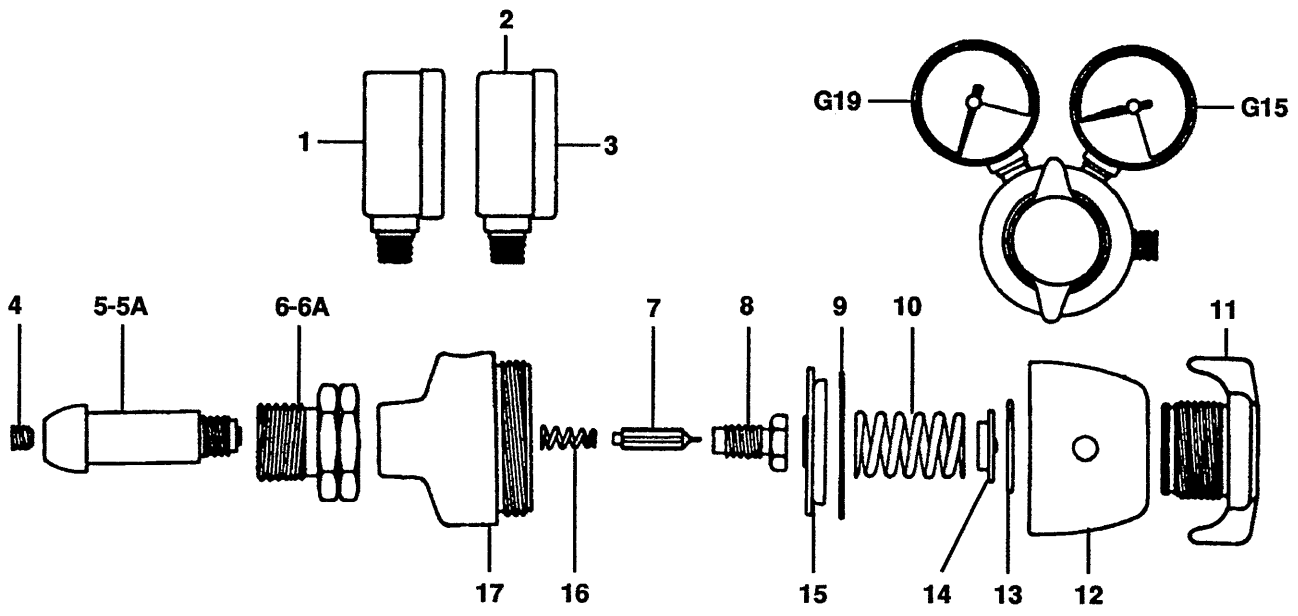
Uniweld B & MC Regulators



REF. NO.	MFG. NO.	S-S NO.	DESCRIPTION	CODE	REF. NO.	MFG. NO.	S-S NO.	DESCRIPTION	CODE
			B & MC Regulators		5	B30X		Valve Closing Spring	A-D
	R-B-5		5lb Preset Regulator	A	6	B13	UN-080	Valve Seat Assembly	A-D
	R-B-10		10lb Preset Regulator	B	7	MC22		Regulator Body Adaptor	A-D
	R-MC-5		5lb Preset Regulator	C	8	B8	UN-083	Diaphragm Assembly	A-D
	R-MC-10		10lb Preset Regulator	D	9	B7	UN-146	Slip Ring	A-D
1	MC23A		Filter Screw Assembly	A-D	10	RP5-1		Spring 5lb	A, C
2	MC52 (MC)		Inlet Nipple	C, D		RP1-3		Spring 10lb	B, D
	B51 (B)		Inlet Nipple	A, B	11	RP-4		Spring Washer	A-D
3	MC24 (MC)		Nut	C, D	12	RP-6		Cap	A-D
	B10 (B)		Nut	A, B	13	RP-5		Screw	A-D
4	B34		Regulator Body	A-D	14	G-19	UN-78	Contents Gauge 1/4 to Full	A-D

Uniweld

R Series Acetylene Single Stage Regulators



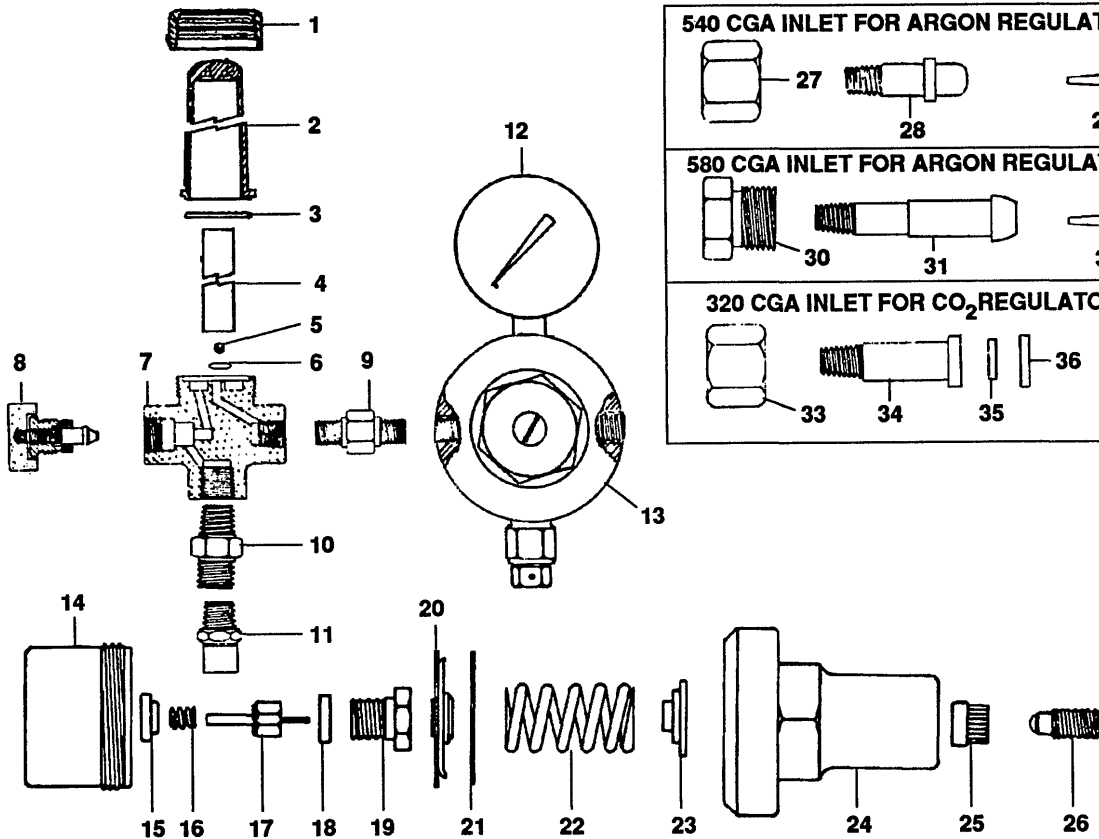
REF. NO.	MFG. NO.	S-S NO.	DESCRIPTION	CODE	REF. NO.	MFG. NO.	S-S NO.	DESCRIPTION	CODE
1	G-19	UN-078	Acetylene Single Stage Regulator		8	MC-22		Seat Adaptor Regulator	
2	G-15		1 1/2" x 400lb Gauge		9	B-7	UN-146	Slip Ring	
3	05-1-52		1 1/2" x 30lb Gauge		10	B-6X	UN-084	Pressure Adjusting Spring	
4	MC-23A	UN-148	Gauge Lens		11	B-3	UN-073	Pressure Adjusting Knob	
5	1205		Filter Screw Assembly		12	B-2		Cap	
5A	11A05		Inlet Nipple CGA-510		13	B-4X		Snap Ring	
6	8159-2		Inlet Nipple		14	B-43		Spring Button	
6A	8159-3		Inlet Connection Nut		15	B-8	UN-083	Diaphragm Assembly	
7	B-13	UN-080	Inlet Connection Nut		16	B-30X		Valve Closing Spring	
			Valve Seat Assembly		17	B-34-02		Regulator Body	

Uniweld

Model RHF 82

Argon and Carbon Dioxide

Flowmeter Regulators

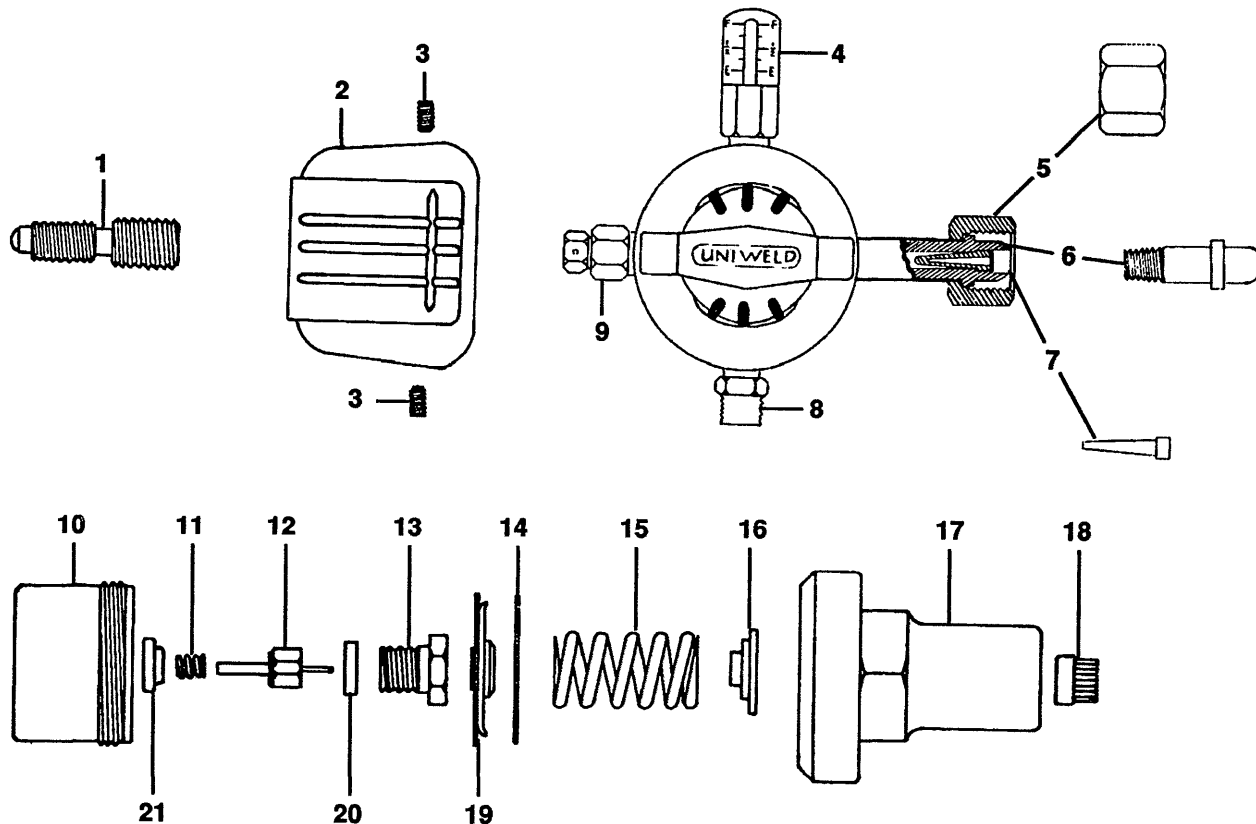


REF. NO.	MFG. NO.	S-S NO.	DESCRIPTION	CODE	REF. NO.	MFG. NO.	S-S NO.	DESCRIPTION	CODE
	RHF8214		Flowmeter Regulator, Argon	A	17	RUH-26A	UN-088	Seat Assembly	A-E
	RHF8214-2		Flowmeter Regulator, Argon	B	18	RUH-41	UN-089	Washer	A-E
	RHF8214-3		Flowmeter Regulator, Argon	C	19	RUH-22-2	UN-090	Seat Housing	A-E
	RHF8214-4		Flowmeter Regulator, Argon	D	20	RU-D	UN-091	Diaphragm Assembly, Argon	A-D
	RHF8213		Flowmeter Regulator, CO2	E		RU-D13		Diaphragm Assembly, CO2	E
1	UAF-19		Tube Cover Retaining Ring	A-E	21	RU-27	UN-092	Slip Ring	A-E
2	UAF-22		Flowmeter Tube Cover	A-E	22	80X83		P.A. Spring	A-E
3	UAF-OR-2		O-Ring	A-E	23	8028		Spring Button	A-E
4	UAF-18		Flowmeter Tube, Argon	A-D	24	RU-29		Regulator Bonnet	A-E
	UCF-18		Flowmeter Tube, CO2	E	25	RUH-47	UN-094	Bonnet Insert	A-E
5	UAF-20		Float, Argon	A-D	26	RF-3403		Socket Set Screw	A-E
	UAC-20		Float, CO2	E	27	8059-2		Inlet Nut	A,C
6	UAF-OR-1		O-Ring	A-E	28	RU-12		Inlet Gland	A,C
7	UAF-34		Body	A-E				(Includes filter no. 80X31-2)	
8	UAF-A		Valve Assembly	A-E	29	80X31-2		Metal Filter	A,C
9	1348		Inlet Connection	A-E	30	87X59		Inlet Nut	B,D
10	8011		Male Adaptor	A,B,E	31	8112-2		Inlet Gland (Includes filter no. 80X31-2)	B,D
11	UAF-80		Outlet Connection	C,D					
12	G-7		Gauge, 4000lb 2", Argon	A-D	32	80X31-2		Metal Filter	B,D
	G-13-2		Gauge, 2000lb 2", CO2	E	33	20-000-231		CO2 Inlet Nut	E
13	RV96	UN-085	Safety Valve	A-E	34	8312		Inlet Gland	E
14	RHG-34-2		Body	A-E	35	20-000-249		Inlet O-Ring	E
15	RUH-99AO		Stem Guide Assembly	A-E	36	83X41		Inlet Washer (Fiber)	E
16	RUH-83		Spring	A-E					

Uniweld

Model RHG-80

Oxygen Gaugeless Regulators



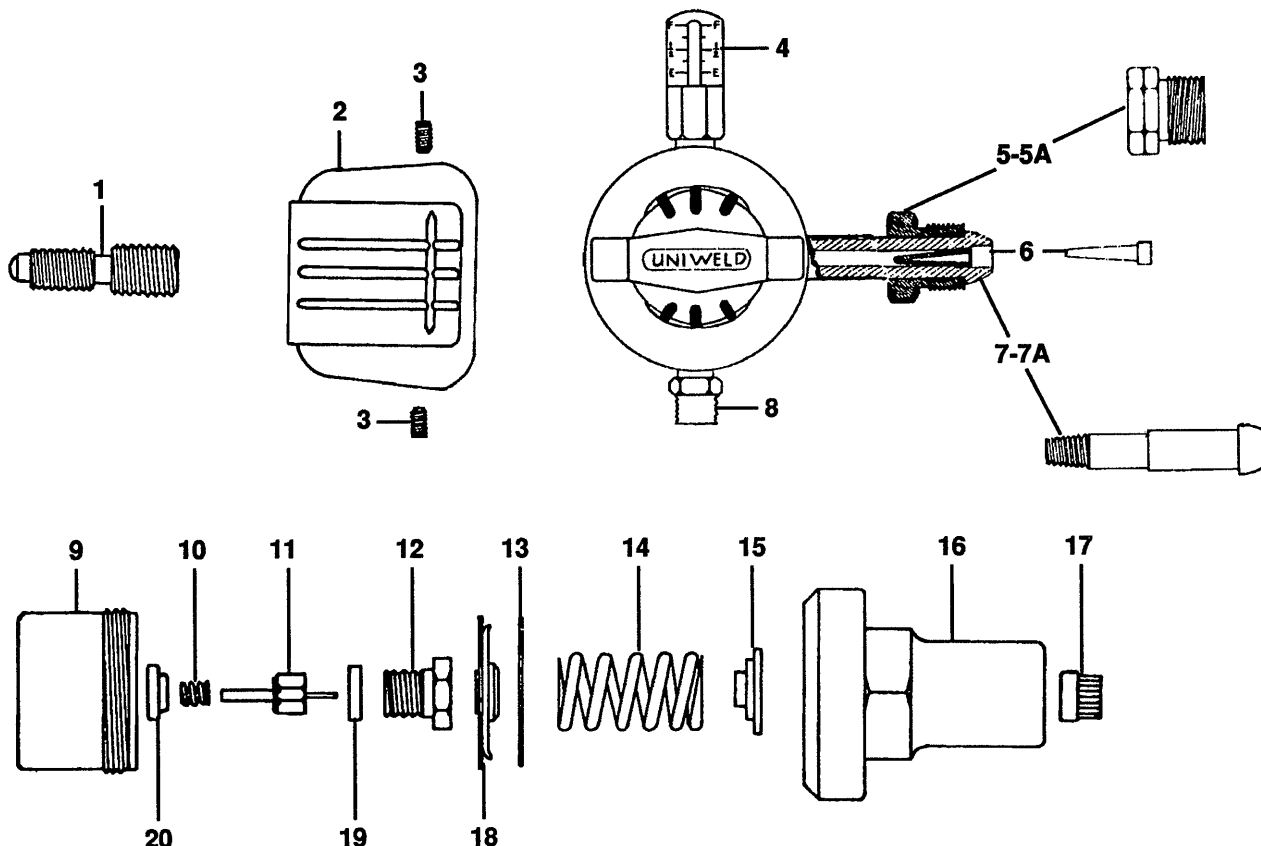
REF. NO.	MFG. NO.	S-S NO.	DESCRIPTION	CODE	REF. NO.	MFG. NO.	S-S NO.	DESCRIPTION	CODE
	RHG8010		Gaugeless Regulator		14	RU-27		Slip Ring	
1	RHG-23		Adjusting Screw, Oxygen		15	RHG-83		P.A. Spring, Oxygen	
2	RHG-29-2		Butterfly Cap		16	8028		Spring Button	
3	019-008-01		Screw (2)		17	RHG-29-3		Regulator Bonnet	
4	G-60		Contents Indicator, Oxygen		18	RUH-47	UN-094	Bonnet Insert	
5	8059-2		Inlet Connection Nut, Oxygen		19	RU-D	UN-091	Diaphragm Assembly	
6	RU-12		Inlet Gland, Oxygen (Includes Filter 80X31-2)		20	RUH-41	UN-089	Seat Washer	
7	80X31-2		Metal Filter		21	RUH-99AO		Stem Guide Assembly	
8	8011		Male Adaptor						
9	RV-96	UN-085	Oxygen Safety Valve Assembly						
10	RHG-34-2		Body						
11	RUH-83		Spring						
12	RUH-26A	UN-088	Seat Assembly						
13	RUH-22-2	UN-090	Seat Housing						

Uniweld

Model RHG-80

Acetylene & Propane

Gaugeless Regulators

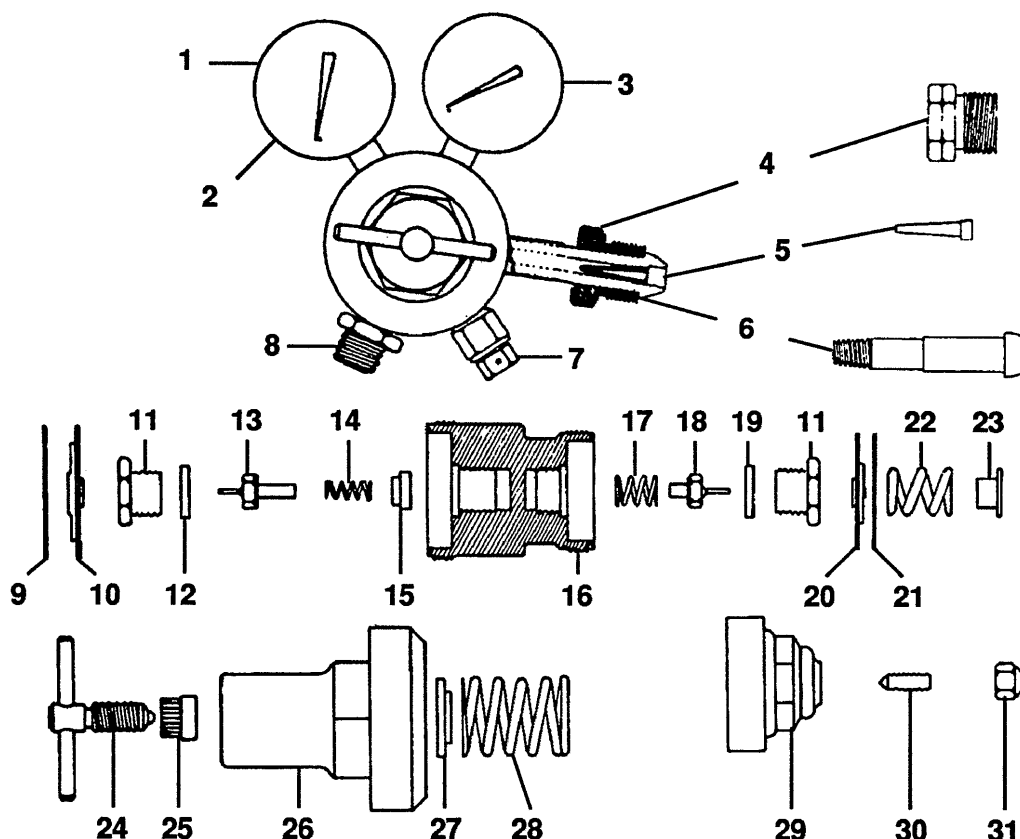


REF. NO.	MFG. NO.	S-S NO.	DESCRIPTION	CODE	REF. NO.	MFG. NO.	S-S NO.	DESCRIPTION	CODE
	RHG8011		Gaugeless Regulator, Acety.	A	8	8111		Male Adaptor	
	RHG8011-1		Gaugeless Regulator, Acety.	B	9	RHG-34		Body	
	RHG8012		Gaugeless Reg., Propane	C	10	RV-96X83	UN-102	Spring	
1	RHG-23-2		Adjusting Screw, Acetylene		11	RUH-26A	UN-088	Seat Assembly	
2	RHG-29-2		Butterfly Cap		12	RUH-22-2	UN-090	Seat Housing	
3	019-008-01		Screw (2)		13	RU-27	UN-092	Slip Ring	
4	G-61		Contents Indicator, Acety/ Propane		14	81X83		P. A. Spring Acetylene	
5	8159-2		Inlet Connection Nut		14A	82X83		P. A. Spring, Propane	
5A	8159-3		Inlet Nut CA		15	8028		Spring Button	
6	80X31-2		Metal Filter		16	RHG-29		Regulator Bonnet	
7	8112-2		Inlet Nipple (Includes Filter No. 80x31-2)		17	RUH-47	UN-094	Bonnet Insert	
7A	8112-3		CA Inlet Nipple (Includes Filter No. 80x31-2)		18	RU-D	UN-091	Diaphragm Assembly	
					19	RUH-41	UN-089	Seat Washer	
					20	RUH-99A		Stem Guide Assembly	

Uniweld

Model RHT-80

Acetylene & Propane Two Stage Regulators

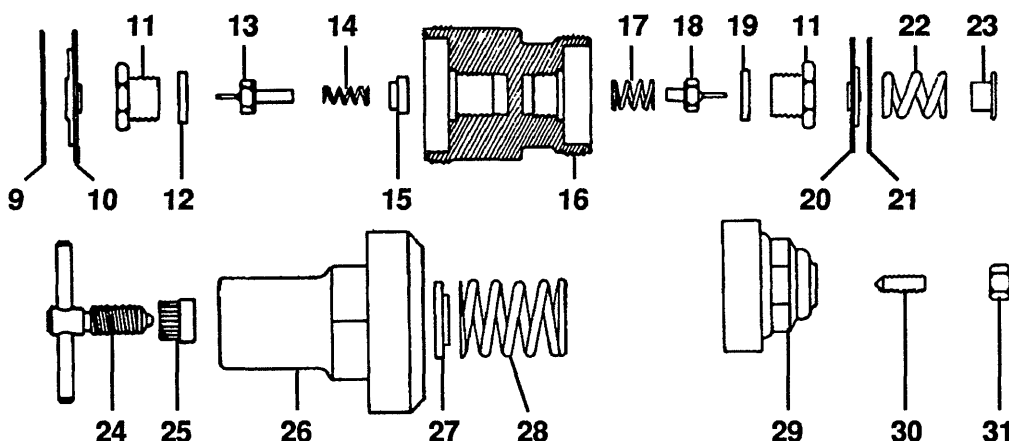
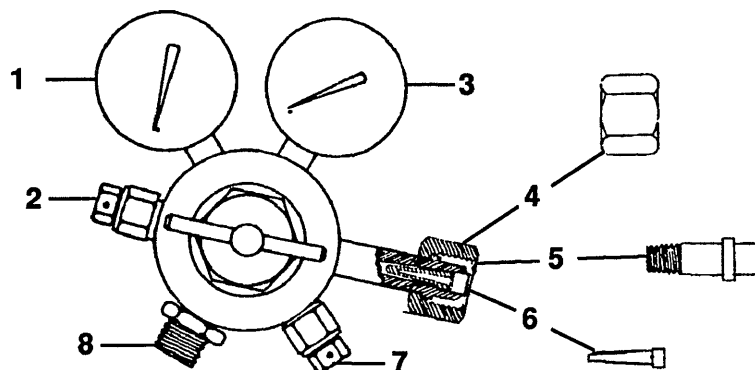


REF. NO.	MFG. NO.	S-S NO.	DESCRIPTION	CODE	REF. NO.	MFG. NO.	S-S NO.	DESCRIPTION	CODE
RHT8011			Acetylene, Two Stage Reg.	A	12	RUH-41	UN-089	Seat Washer	A-F
RHTL8011			Acetylene, Two Stage Reg.	B	13	RUH-26A	UN-088	Seat Assembly	A-F
RHT8011-1			Acetylene Two Stage Reg.	C	14	RV-96X83	UN-102	Spring	A-F
RHTL8011-1			Acetylene Two Stage Reg.	D	15	RUH-99A	UN-103	Stem Guide Assembly	A-F
RHT8012			Propane Two Stage Reg.	E	16	RUT-34-2		2 Stage Regulator Body	A-F
RHTL8012			Propane Two Stage Reg.	F	17	RUT-83		1 Stage Spring	A-F
1	G-2		2" X 30 lb. Gauge		18	RUH-26-2		Seat	A-F
	G-22		2 1/2" X 30 lb. Gauge		19	RUH-41	UN-089	Seat Washer	A-F
2	G-5		2" X 60 lb. Gauge		20	RUT-D	UN-106	Diaphragm Assembly	A-F
	G-25		2 1/2" X 60 lb. Gauge		21	B-7	UN-146	Slip Ring	A-F
3	G-1		2" X 400 lb. Gauge		22	RUT-83-2		P. A. Spring	A-F
	G-21		2 1/2" X 400 lb. Gauge		23	13E28-5		H. P. Spring Button	A-F
4	8159-2		Inlet Connection Nut		24	RU-23A	UN-095	Adj. Screw Lever Assembly	A-F
	8159-3		Inlet Connection Nut CA		25	RUH-47	UN-094	Bonnet Insert	A-F
5	80X31-2		Metal Filter		26	RU-29		Regulator Bonnet	A-F
6	8112-2		Inlet Nipple		27	8028		Spring Button	A-F
	8112-3		CA Inlet Nipple		28	81X83		P. A. Spring, Acetylene	A-D
7	RV-96	UN-085	Safety Valve (Complete Assembly)	A-F		82X83		P. A. Spring, Propane	E,F
8	8111		Male Adaptor		29	RUT-29		1 Stage Bonnet	A-F
9	RU-27	UN-092	Slip Ring	A-F	30	019-008-02		Screw	A-F
10	RU-D	UN-091	Diaphragm Assembly	A-F	31	RUT-59		Cap Nut	A-F
11	RUH-22-2	UN-090	Seat Housing	A-F					

Uniweld

Model RHT-80

Oxygen Two Stage Regulator



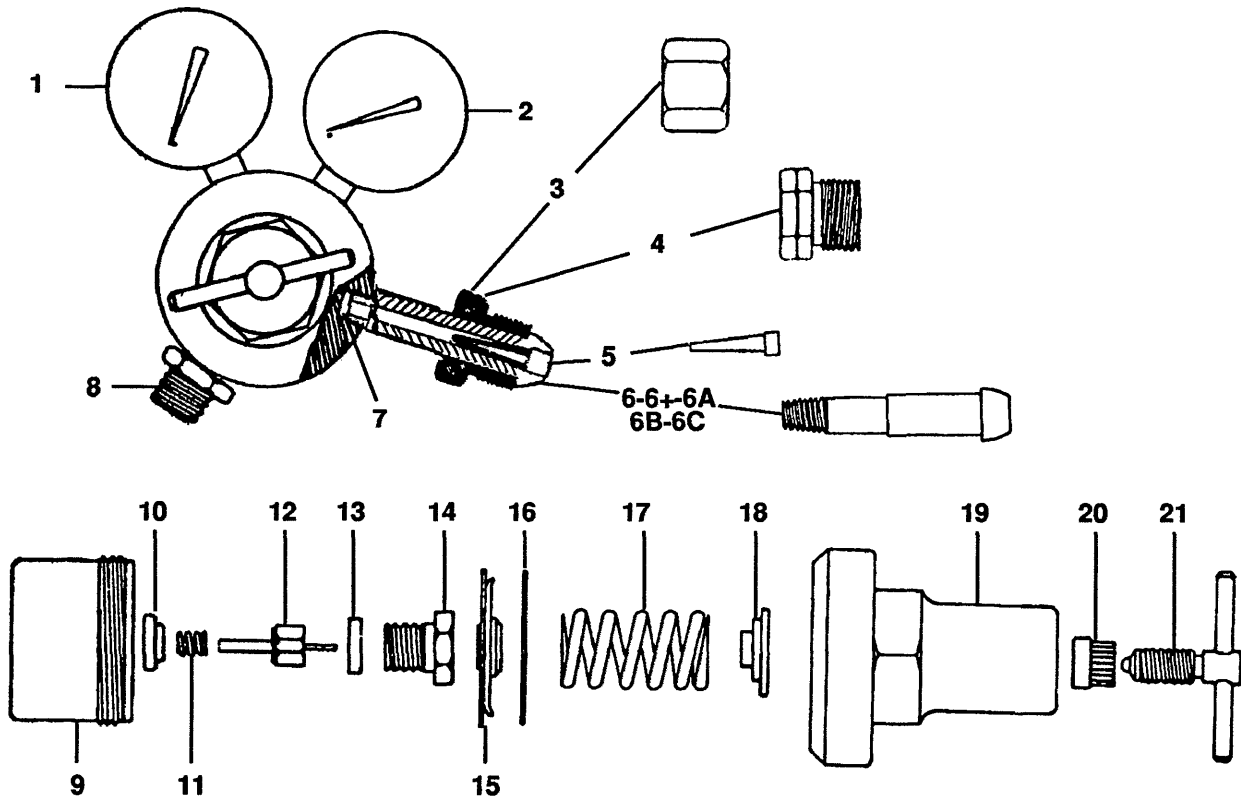
REF. NO.	MFG. NO.	S-S NO.	DESCRIPTION	CODE	REF. NO.	MFG. NO.	S-S NO.	DESCRIPTION	CODE
	RHT8010		Oxygen, Two Stage Reg.	A	19	RUH-41	UN-089	Seat Washer	A,B
	RHTL8010		Oxygen, Two Stage Reg.	B	20	RUT-D	UN-106	Diaphragm Assembly	A,B
1	G-4		2" X 200 lb. Gauge	A	21	B-7	UN-146	Slip Ring	A,B
	G-24		2 1/2" X 200 lb. Gauge	B	22	RUT-83-2		P. A. Spring Oxygen	A,B
2	RV-96	UN-085	Oxygen Safety Valve Assy	A,B	23	13E28-5		H. P. Spring Button	A,B
3	G-7		2" X 4000 lb. Gauge	A	24	RU-23A	UN-095	Adj. Screw Lever Assembly	A,B
	G-27		2 1/2" X 4000 lb. Gauge	B	25	RUH-47	UN-094	Bonnet Insert	A,B
4	8059-2		Inlet Connection Nut, Oxygen	A,B	26	RU-29		Regulator Bonnet	A,B
5	RU-12		Inlet Gland Oxygen (Includes filter No. 80X31-2)	A,B	27	8028		Spring Button	A,B
6	80X31-2		Metal Filter	A,B	28	80X83		P. A. Spring	A,B
7	RV-96-2		Safety Relief Valve Assy.	A,B	29	RUT-29		1 Stage Bonnet	A,B
8	8011		Male Adaptor		30	019-008-02		Screw	A,B
9	RU-27	UN-092	Slip Ring	A,B	31	RUT-59		Cap Nut	A,B
10	RU-D	UN-091	Diaphragm Assembly	A,B					
11	RUH-22-2	UN-090	Seat Housing	A,B					
12	RUH-41	UN-089	Seat Washer	A,B					
13	RUH-26A	UN-088	Seat Assembly	A,B					
14	RV-96X83	UN-102	Spring	A,B					
15	RUH-99A	UN-103	Stem Guide Assembly	A,B					
16	RUT-34		2 Stage Regulator Body	A,B					
17	RUT-83		1 Stage Spring	A,B					
18	RUT-26-2		Seat Assembly	A,B					

Uniweld

Model RUH-82

Acetylene & Propane

Single Stage Regulators

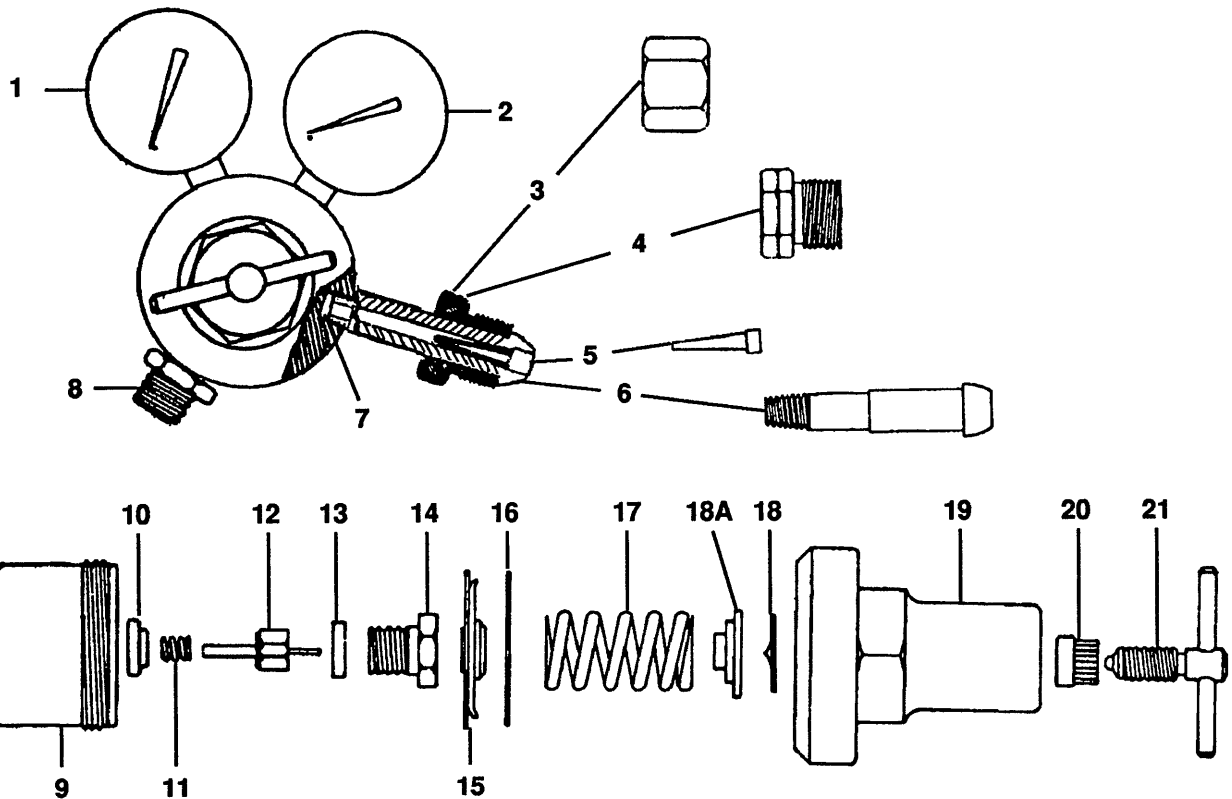


REF. NO.	MFG. NO.	S-S NO.	DESCRIPTION	CODE	REF. NO.	MFG. NO.	S-S NO.	DESCRIPTION	CODE
RUH8211			Acetylene Reg., Single Stage	A	7	RV-53		Inlet Screen	A-E
RUH8211-1			Acetylene Reg., Single Stage	B	8	8111		Male Adaptor	A-E
RUH8211-2			Acetylene Reg., Single Stage	C	9	RUH-34		Body	A-E
RUH8211-CND			Acetylene Reg., Single Stage	D	10	RUH-99A	UN-103	Stem Guide Assembly	A-E
RUH8212			Propane Reg., Single Stage	E	11	RV-96X83	UN-102	Spring	A-E
1	G-2		2" X 30 lb. Gauge		12	RUH-26A	UN-088	Seat Assembly	A-E
	G-5		2" X 60 lb. Gauge		13	RUH-41	UN-089	Seat Washer	A-E
2	G-1		2" X 4000 lb. Gauge	A-E	14	RUH-22-2	UN-090	Seat Housing	A-E
3	146-6011		Inlet Nut CND	D	15	RU-D	UN-091	Diaphragm Assembly	A-E
	B-10		Inlet Nut		16	RU-27	UN-092	Slip Ring	A-E
4	8159-2		Inlet Connection Nut		17	81X83		P. A. Spring Acetylene	A-D
	8159-3		Inlet Nut CA			82X83		P. A. Spring, Propane	E
5	80X31-2		Metal Filter		18	RUH-28		Spring Button	A-D
6	151-1144		Inlet Gland CND		18A	8028		Spring Button	E
6+	199-500		Fiber Washer		19	RU-29		Regulator Bonnet	A-E
6A	8112-2		Inlet Nipple		20	RUH-47	UN-094	Bonnet Insert	A-E
6B	8112-3		CA Inlet Nipple		21	RU-23A	UN-095	Adj. Screw Lever Assembly	A-E
6C	RU-12-2		Inlet Gland (Includes filter No. 80X31-2)						

Uniweld

Model RUH-82

Oxygen Single Stage Regulator

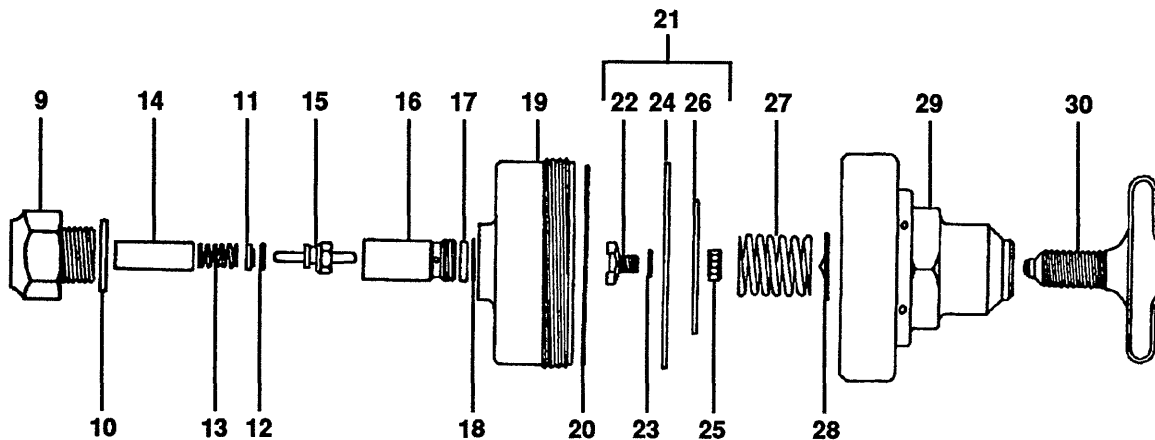
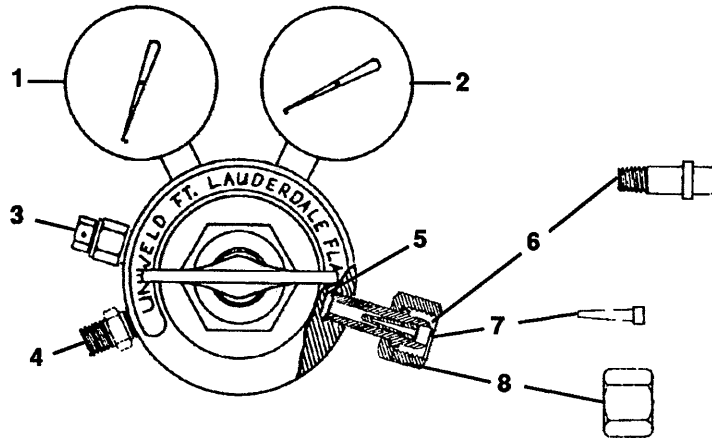


REF. NO.	MFG. NO.	S-S NO.	DESCRIPTION	CODE	REF. NO.	MFG. NO.	S-S NO.	DESCRIPTION	CODE
1	RV-96	UN-085	Oxygen Regulator		15	RU-D	UN-091	Diaphragm Assembly	
2	G-4		Oxygen Safety Valve Assy.		16	RU-27	UN-092	Slip Ring	
3	G-7		2"X200 lb. Gauge, Brass Case		17	80X83		P.A. Spring	
4	RV-53		2"X4000 lb. Gauge, Brass Case		18	RUH-28		Spring Button	
5	8059-2		Inlet Screen		19	RU-29		Regulator Bonnet	
6	RU-12		Inlet Connection Nut, O ₂ CGA-540		20	RUH-47	UN-094	Bonnet Insert	
7	80X31-2		Inlet Gland (Includes filter No. 80X31-2) CGA-540		21	RU-23A		Adj. Screw Lever Assy.	
8	8011		Porous Metal Filter						
9	RUH-34-2		Outlet Connection						
10	RUH-99AO		Body						
11	RUH-83		Stem Guide Assembly						
12	RUH-26A		Spring						
13	RUH-41		Seat Assembly						
14	RUH-22-2		Seat Washer						
		UN-088	Seat Housing						

Uniweld

Model RV-80

Oxygen Single Stage Regulator



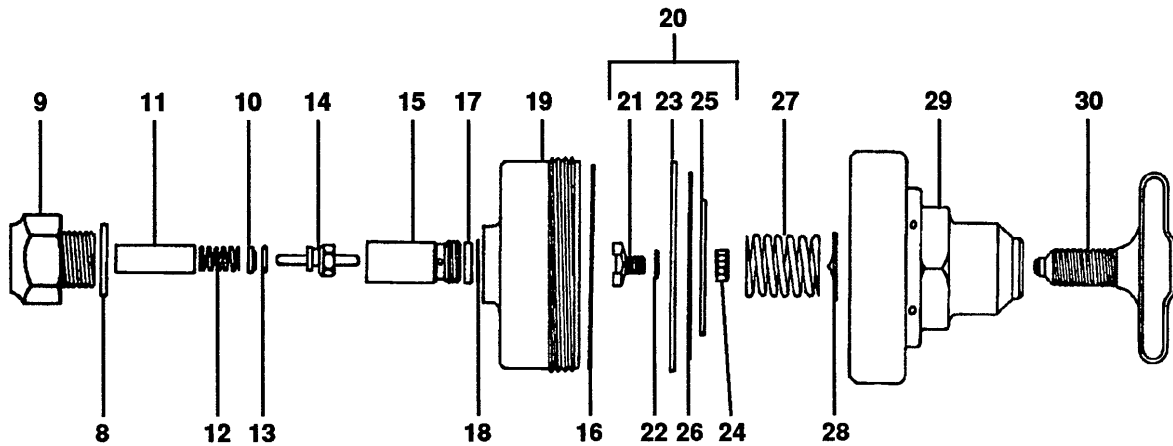
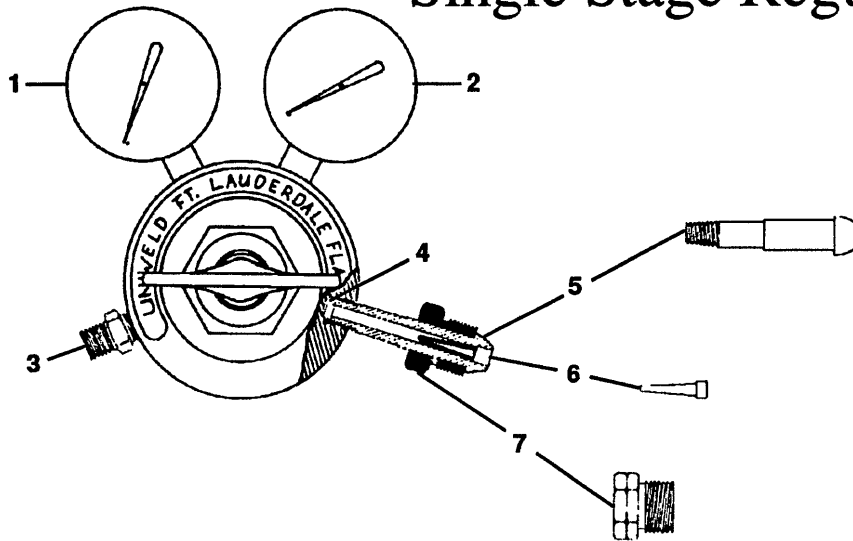
REF. NO.	MFG. NO.	S-S NO.	DESCRIPTION	CODE	REF. NO.	MFG. NO.	S-S NO.	DESCRIPTION	CODE
	RV8010		Oxygen Regulator, Single Stage		17	RV-13		Ring Nozzle	
1	G-24		Gauge, 2 1/2" 200 lb.		18	RV41-2	UN-119	Washer	
2	G-27		Gauge, 2 1/2" 4000 lb.		19	RV-34		Body	
3	RV-96	UN-085	Oxygen Safety Relief Valve Assy.		20	X33R		O-Ring	
4	8011		Hose Connection Bushing		21	RV-D		Diaphragm Assembly	
5	RV-53		Inlet Screen		22	RV-99		Guide	
6	8012-2		Inlet Gland (Includes Filter No. 80X31-2)		23	X17R		O-Ring	
7	80X31-2		Porous Metal Filter		24	RV-09	UN-123	S. S. Diaphragm	
8	8059-2		Inlet Connection Nut, Oxygen		25	RV-59	UN-125	Diaphragm Nut	
9	RV-43		Back Plug		26	RV-10		Diaphragm Plate	
10	RV-14		Gasket		27	RV-83		P. A. Spring, Oxygen	
11	RV-12		Gland		28	RV-28		Spring Button	
12	RV-41		Friction Washer		29	RV-29		Bonnet	
13	RV-83-3		Valve Spring		30	RV-P		Adjusting Screw Lever	
14	RV-99-2		Stem Guide						
15	RV-C	UN-128	Seat Assembly						
16	RV-70		Nozzle Holder						

Uniweld

Model RV-80

Acetylene & Propane

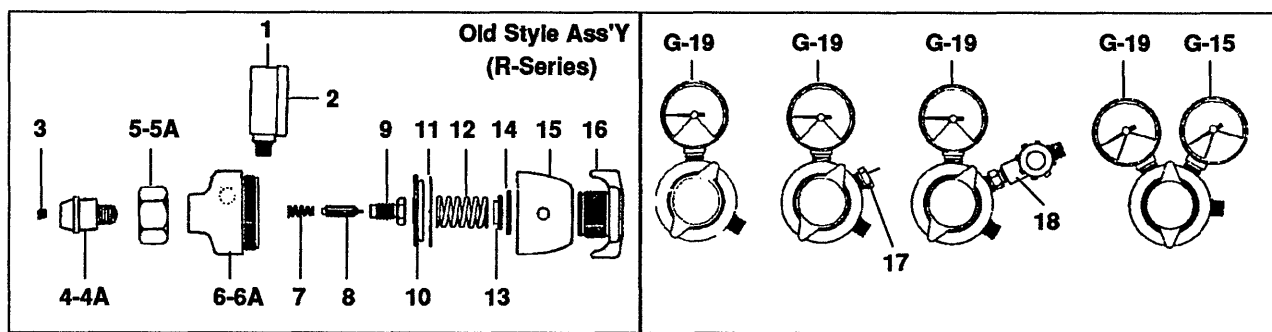
Single Stage Regulators



REF. NO.	MFG. NO.	S-S NO.	DESCRIPTION	CODE	REF. NO.	MFG. NO.	S-S NO.	DESCRIPTION	CODE
	RV8011		Acetylene, Single Stage Reg.	A	14	RV-C-2		Seat Assembly	A-C
	RV8011-1		Acetylene, Single Stage Reg.	B	15	RV-70		Nozzle Holder	A-C
	RV8012		Propane, Single Stage Reg.	C	16	X33R		O-Ring	A-C
1	G-22		Gauge, 2 1/2" 30 lb.	A,B	17	RV-13		Ring Nozzle	A-C
	G-25		Gauge, 2 1/2" 60 lb.	C	18	RV41-2	UN-119	Washer	A-C
2	G-21		Gauge, 2 1/2" 400 lb.	A-C	19	RV-34-2		Body	A-C
3	8111		Hose Connection Bushing	A-C	20	RV-D-2		Diaphragm Assembly, Low Pressure	A-C
4	RV-53		Inlet Screen	A-C	21	RV-99		Guide	A-C
5	8112-2		Inlet Gland, CGA 510	A,C	22	X08R		O-Ring	A-C
	8112-3		Inlet Gland, CGA 300	B	23	RV-09	UN-123	S. S. Diaphragm	A-C
6	80X31-2		Porous Metal Filter	A-C	24	RV-59	UN-125	Diaphragm Nut	A-C
7	8159-2		Inlet Nut, CGA 510	A,C	25	RV-10		Diaphragm Plate	A-C
	8159-3		Inlet Nut, CGA 300	B	26	RV-09-2		Diaphragm Cushion, Low Pressure	A-C
8	RV-14		Gasket	A-C	27	RV-83-2		P. A. Spring, Low Pressure	A-C
9	RV-43		Back Plug	A-C	28	RV-28		Spring Button	A-C
10	RV-12		Gland	A-C	29	RV-29		Bonnet	A-C
11	RV-99-2		Stem Guide	A-C	30	RV-P		Adjusting Screw Lever	A-C
12	RV-83-3		Valve Spring	A-C					
13	RV-41		Friction Washer	A-C					

Uniweld

Model R-B, RB-N & RMC-N Old Style Acetylene Regulators

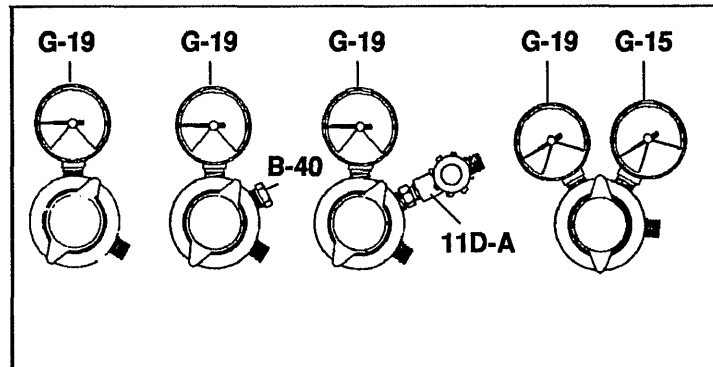


REF. NO.	MFG. NO.	S-S NO.	DESCRIPTION	CODE	REF. NO.	MFG. NO.	S-S NO.	DESCRIPTION	CODE
R-B, RB-N & R-MC-N			Acetylene Regulator (Old Style Ass'y)		6	B-34		Regulator Body	
RB-N			B Reg., 15 psig, CGA 520	A	6A	B-34-02		Regulator Body	
RB-40N			B Reg., 15 psig, CGA 520	B	7	B-30X		Valve Closing Spring	
RB-2N			B Reg., 15 psig, CGA 520	C	8	B-13		Valve Seat Assy.	
11D-N			B Reg., 15 psig, CGA 520	D	9	MC-22		Regulator Seat Adaptor	
RMC-N			MC Reg., 15 psig, CGA 200	E	10	B-8	UN-083	Diaphragm Assembly	
RMC-40N			MC Reg., 15 psig, CGA 200	F	11	B-7	UN-146	Slip Ring	
RMC-2N			MC Reg., 15 psig, CGA 200	G	12	B-6X	UN-084	Press. Adj. Spring	
11E-N			MC Reg., 15 psig, CGA 200	H	13	B-43		Spring Button	
1	G-19	UN-078	1-1/2" X 400 lb Gauge	A-H	14	B-4X		Snap Ring	
2	05-1-52		1-1/2" Plastic Lens		15	B-2		Cap	
3	MC-23A	UN-148	Filter Screw Assy.		16	B-3	UN-073	Press. Adj. Spring	
4	B-51 (B)		Inlet Nipple		17	B-40		Removable Pipe Plug	
4A	MC-52(MC)		Inlet Nipple		18	11D-A		Needle Valve w/Adaptor	
5	B-10 (B)		Inlet Nut						
5A	MC-24(MC)		Inlet Nut						

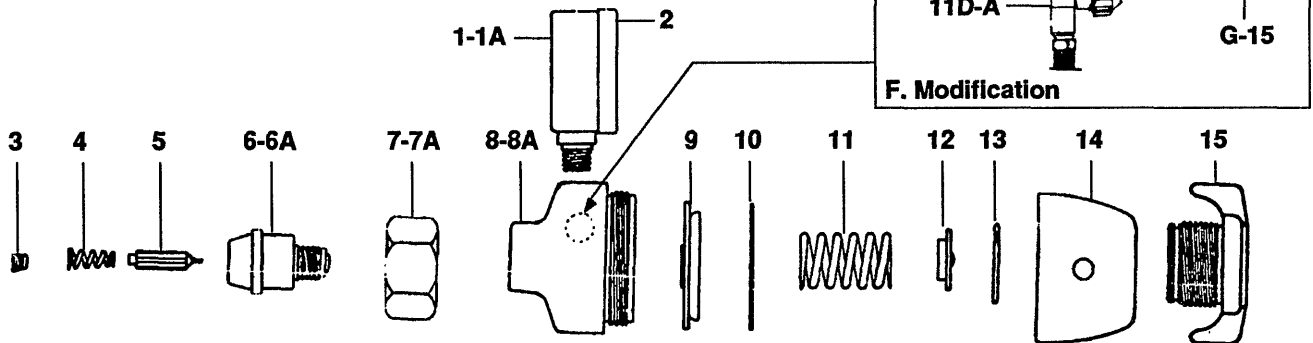
Uniweld

Model RB-N & MC-N

New Style Acetylene Regulators



New Style Ass'y (R-N Series)



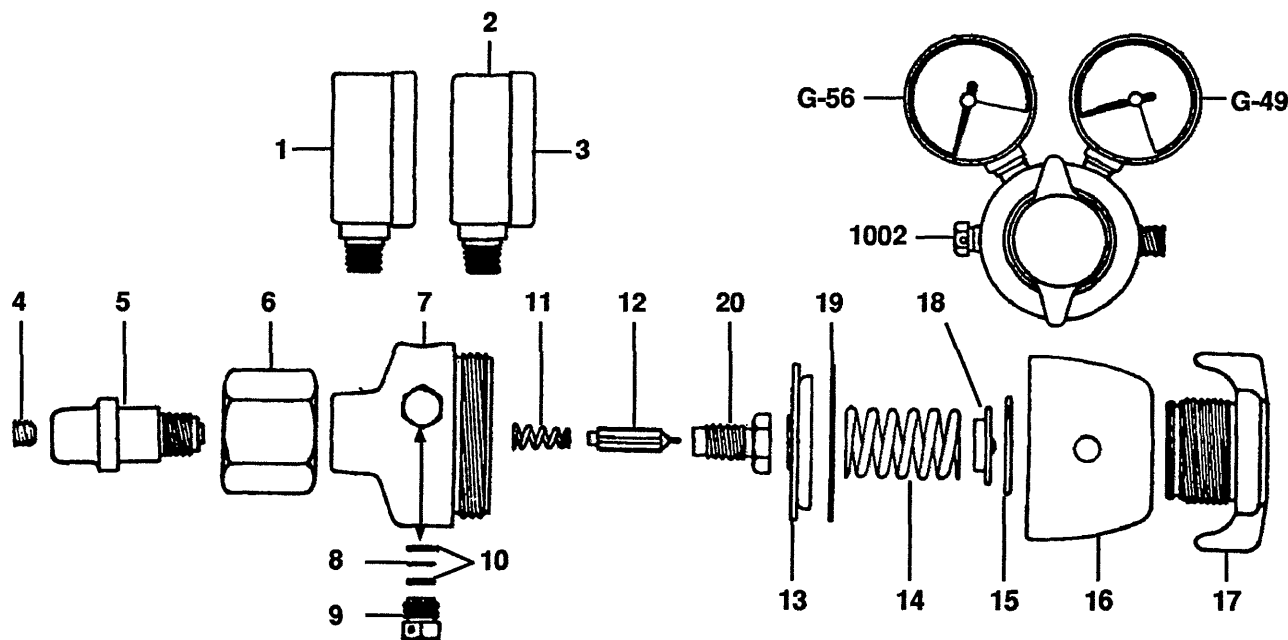
REF. NO.	MFG. NO.	S-S NO.	DESCRIPTION	CODE	REF. NO.	MFG. NO.	S-S NO.	DESCRIPTION	CODE
RB-N & MC-N			Acetylene Regulator (New Style Ass'y)		4	RBX83		Valve Closing Spring	
	RB-N		B Reg., 15 psig, CGA 520	A	5	B-13	UN-080	Valve Seat Assembly	
	RB-40N		B Reg., 15 psig, CGA 520	B	6	B-51-2		Inlet Nipple (CGA 520)	
	RB-2N		B Reg., 15 psig, CGA 520	C	6A	MC-52-2	UN-186	Inlet Nipple (CGA 200)	
	11D-N		B Reg., 15 psig, CGA 520	D	7	B-10 (B)		Inlet Nut	
	RMC-N		MC Reg., 15 psig, CGA 200	E	7A	MC-24		Inlet Nut	
	RMC-40N		MC Reg., 15 psig, CGA 200	F	8	MC-34		Regulator Body	
	RMC-2N		MC Reg., 15 psig, CGA 200	G	8A	MC-34-2		Regulator Body	
	11E-N		MC Reg., 15 psig, CGA 200	H	9	B-8	UN-083	Diaphragm Assy.	
	B-40		Removable Pipe Plug		10	B-7	UN-146	Slip Ring	
	11D-A		Needle Valve w/Adaptor		11	B-6X	UN-084	Press. Adj. Spring	
1	G-19	UN-078	1-1/2" X 400 lb Gauge	A-H	12	B-43		Spring Button	
1A	G-15		1-1/2" X 30 lb. Gauge	C,E	13	B-4X		Snap Ring	
1B	G-15		Accessory Gauge	C,E	14	B-2		Cap	
2	05-1-52	UN-178	1-1/2" Plastic Lens		15	B-3	UN-073	Press. Adj. Spring	
3	R-23A		Filter Screw Assy.						

Uniweld

Model R-N

Old Style

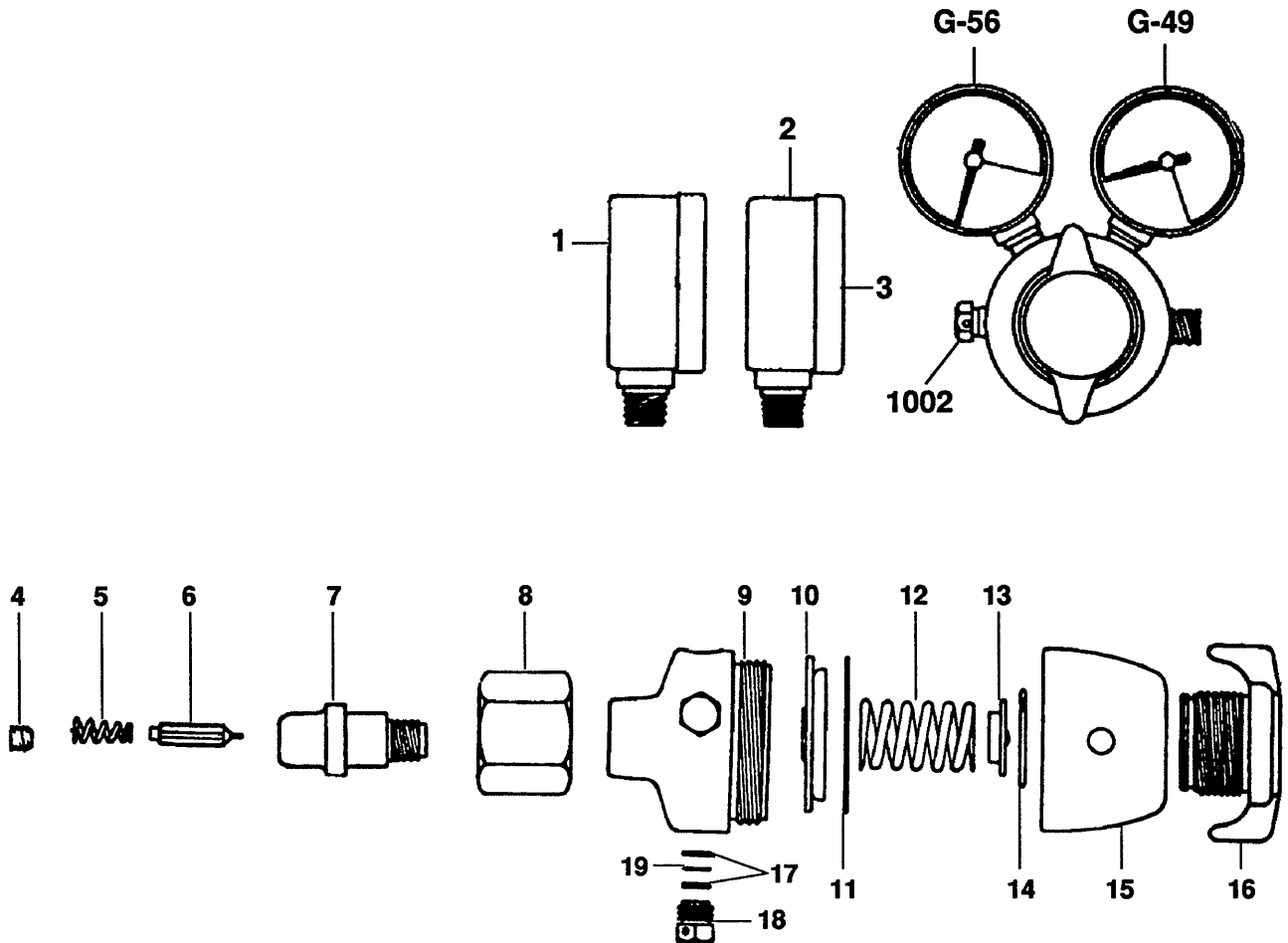
Oxygen Regulators



REF. NO.	MFG. NO.	S-S NO.	DESCRIPTION	CODE	REF. NO.	MFG. NO.	S-S NO.	DESCRIPTION	CODE
	R-Series		Oxygen Regulator		11	10X83		Valve Closing Spring	
1	G-56		1 1/2" 4000lb Gauge		12	B-13-2		Valve Seat Assembly	
2	G-49		1 1/2" 100lb Gauge		13	B-8	UN-083	Diaphragm Assembly	
3	05-1-52	UN-178	Gauge Lens		14	10X83-2	UN-191	Pressure Adjusting Spring	
4	MC-23A	UN-148	Filter Screw Assembly		15	B-4X		Snap Ring	
5	1005		Inlet Nipple		16	B-2		Cap	
6	8059-2		Oxygen Inlet Connection Nut		17	B-3	UN-073	Pressure Adjusting Screw	
7	1034		R-O Body		18	B-43-2		Spring Button, Oxygen	
8	1042	UN-074	Safety Release Disc		19	B-7	UN-146	Slip Ring	
9	1002		Safety Release Cap		20	10MC22		Seat Guide	
10	54X41		H. P. Washer						

Uniweld Model R-N New Style Oxygen Regulators

New Style Ass'y (R-N Series)



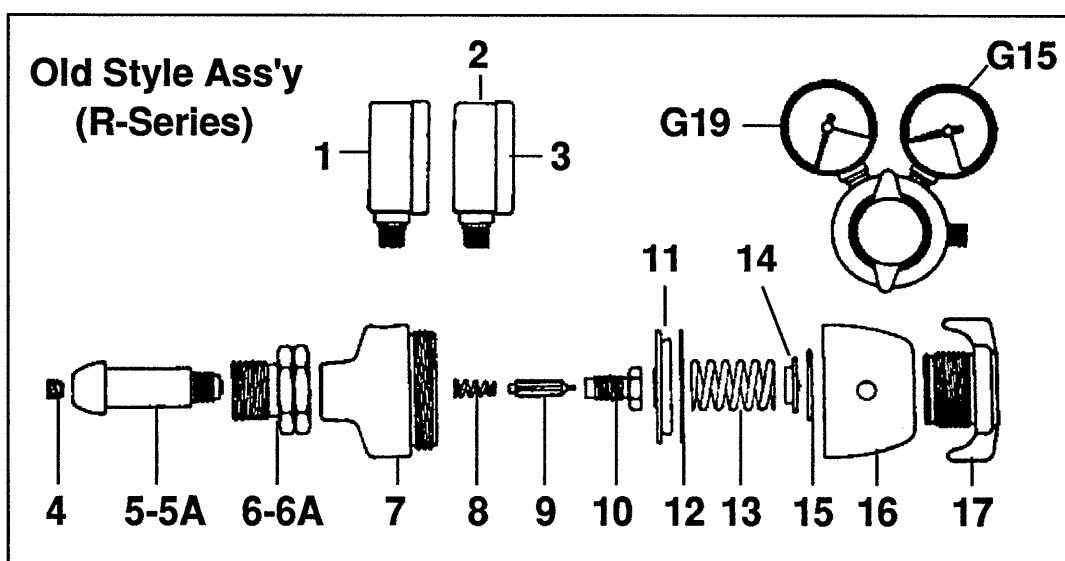
REF. NO.	MFG. NO.	S-S NO.	DESCRIPTION	CODE	REF. NO.	MFG. NO.	S-S NO.	DESCRIPTION	CODE
	R-N Series		Oxygen Regulator		11	B-7	UN-146	Slip Ring	
1	G-56		1 1/2" x 4000lb Gauge		12	10X83-2	UN-191	Pressure Adjusting Spring	
2	G-49		1 1/2" x 100lb Gauge		13	B-43-2		Spring Button, Oxygen	
3	05-1-52	UN-178	Gauge Lens		14	B-4X		Snap Ring	
4	R23-A		Filter Screw Assembly		15	B-2		Cap	
5	ROX83		Valve Closing Spring		16	B-3	UN-073	Pressure Adjusting Screw	
6	B-13-2		Valve Seat Assembly		17	54X41-2		H. P. Washer	
7	1005-2	UN-069	Inlet Nipple (CGA-540)		18	1002		Safety Release Cap	
8	8059-2		Inlet Connection Nut (CGA-540)		19	1042	UN-074	Safety Release Disc	
9	RO-34		Regulator Body						
10	B-8	UN-083	Diaphragm Assembly						

Uniweld

Model R-N

Old Style

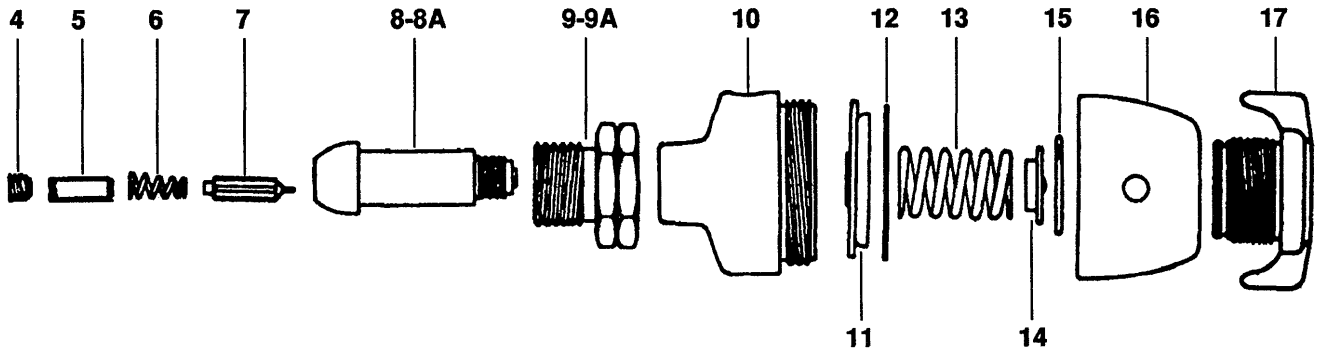
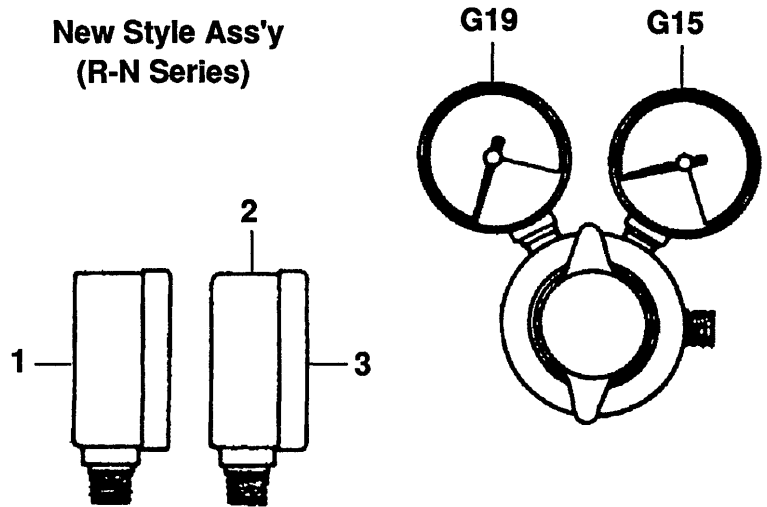
Acetylene Regulators



REF. NO.	MFG. NO.	S-S NO.	DESCRIPTION	CODE	REF. NO.	MFG. NO.	S-S NO.	DESCRIPTION	CODE
R			Acetylene Regulator (Old Style Ass'y)		8	B-30X		Valve Closing Spring	
1	G-19		1 1/2" X 400 lb Gauge		9	B-13		Valve Seat Assembly	
2	G-15		1 1/2" X 30 lb. Gauge		10	MC-22		Seat Guide	
3	05-1-52	UN-178	Gauge Lens		11	B-8	UN-083	Diaphragm Assembly	
4	MC-23A	UN-148	Filter Screw Assembly		12	B-7	UN-146	Slip Ring	
5	1205		Inlet Nipple		13	B-6X	UN-084	Pressure Adjusting Spring	
5A	11A05		Inlet Nipple		14	B-43		Spring Button	
6	8159-2		Inlet Connection Nut		15	B-4X		Snap Ring	
6A	8159-3		Inlet Connection Nut		16	B-2		Cap	
7	B-34-02		Regulator Body		17	B-3	UN-073	Pressure Adjusting Spring	

Uniweld Model R-N New Style Acetylene Regulators

New Style Ass'y
(R-N Series)



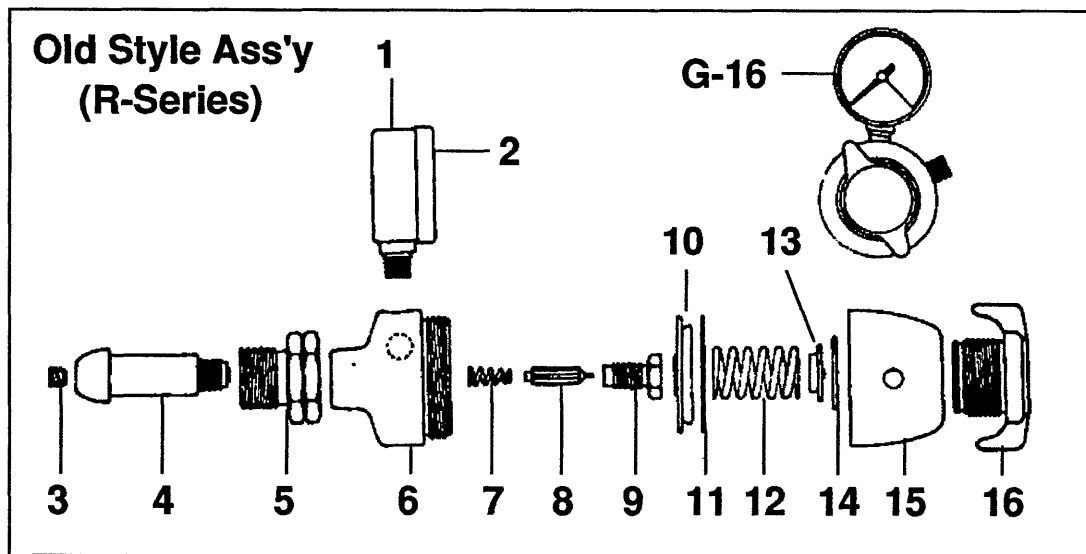
REF. NO.	MFG. NO.	S-S NO.	DESCRIPTION	CODE	REF. NO.	MFG. NO.	S-S NO.	DESCRIPTION	CODE
	R-N		Acetylene Regulator (New Style)		9	8159-2		Inlet Connection Nut (CGA-510)	
1	G-19	UN-078	1 1/2" X 400 lb. Gauge		9A	8159-3		Inlet Connection Nut (CGA-300)	
2	G-15		1 1/2" X 30 lb. Gauge		10	MC34-2		Regulator Body	
3	05-1-52	UN-178	Gauge Lens		11	B-8	UN-083	Diaphragm Assembly	
4	R-23A		Filter Screw Assembly		12	B-7	UN-146	Slip Ring	
5	1279		Spacer Tube (1205-1 only)		13	B-6X	UN-084	Pressure Adjusting Spring	
6	RBX83		Valve Closing Spring		14	B-43		Spring Button	
7	B-13		Valve Seat Assembly		15	B-4X		Snap Ring	
8	1205-1	UN-081	Inlet Nipple (CGA-510)		16	B-2		Cap	
8A	1105-1		Inlet Nipple (CGA-300)		17	B-3	UN-073	Pressure Adjusting Screw	

Uniweld

Model R-N

Old Style

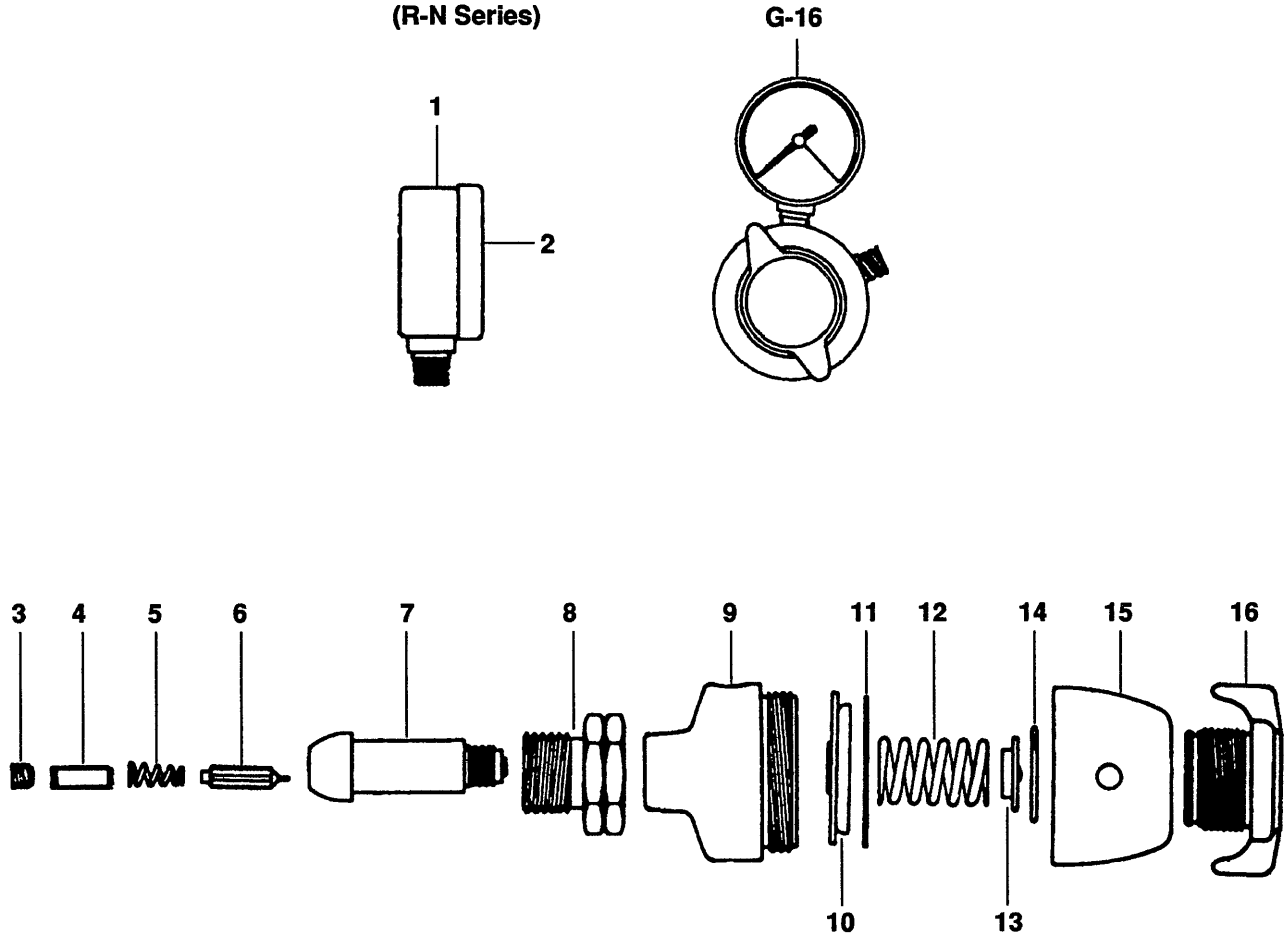
Propane Regulators



REF. NO.	MFG. NO.	S-S NO.	DESCRIPTION	CODE	REF. NO.	MFG. NO.	S-S NO.	DESCRIPTION	CODE
	R-Series		Propane Regulators (Old Style)		9	MC-22		Seat Guide	
1	G-16		1 1/2" X 60 lb. Gauge		10	B-8	UN-083	Diaphragm Assembly	
2	05-1-52	UN-178	Gauge Lens		11	B-7	UN-146	Slip Ring	
3	MC-23A	UN-148	Filter Screw Assembly		12	10X83-2	UN-072	Pressure Adjusting Spring	
4	1205		Inlet Nipple		13	B-43		Spring Button	
5	8159-2		Inlet Connection Nut		14	B-4X		Snap Ring	
6	B-34-02		Regulator Body		15	B-2		Cap	
7	B-30X		Valve Closing Spring		16	B-3	UN-073	Pressure Adjusting Screw	
8	B-13	UN-080	Valve Seat Assembly						

Uniweld Model R-N New Style Propane Regulators

**New Style Ass'y
(R-N Series)**



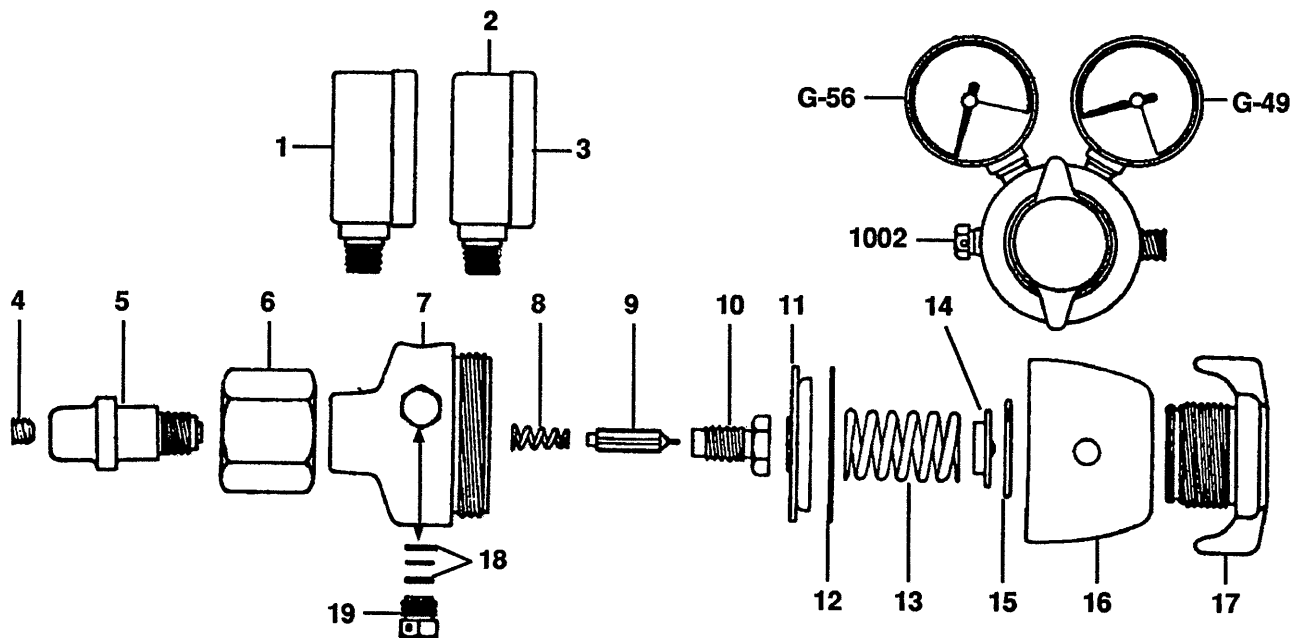
REF. NO.	MFG. NO.	S-S NO.	DESCRIPTION	CODE	REF. NO.	MFG. NO.	S-S NO.	DESCRIPTION	CODE
	R-N		Propane Regulators (New Style)		9	MC34-2		Regulator Body	
1	G-16		1 1/2" X 60 lb. Gauge		10	B-8	UN-083	Diaphragm Assembly	
2	05-1-52	UN-178	Gauge Lens		11	B-7	UN-146	Slip Ring	
3	R-23A	UN-148	Filter Screw Assembly		12	10X83-2	UN-072	Pressure Adj. Spring	
4	1279		Spacer Tube (1205-1 only)		13	B-43		Spring Button	
5	RBX83		Valve Closing Spring		14	B-4X		Snap Ring	
6	B-13	UN-080	Valve Seat Assy.		15	B-2		Cap	
7	1205-1		Inlet Nipple (CGA 510)		16	B-3	UN-073	Pressure Adjusting Screw	
8	8159-2		Inlet Conn. Nut (CGA 510)						

Uniweld

Model R-O

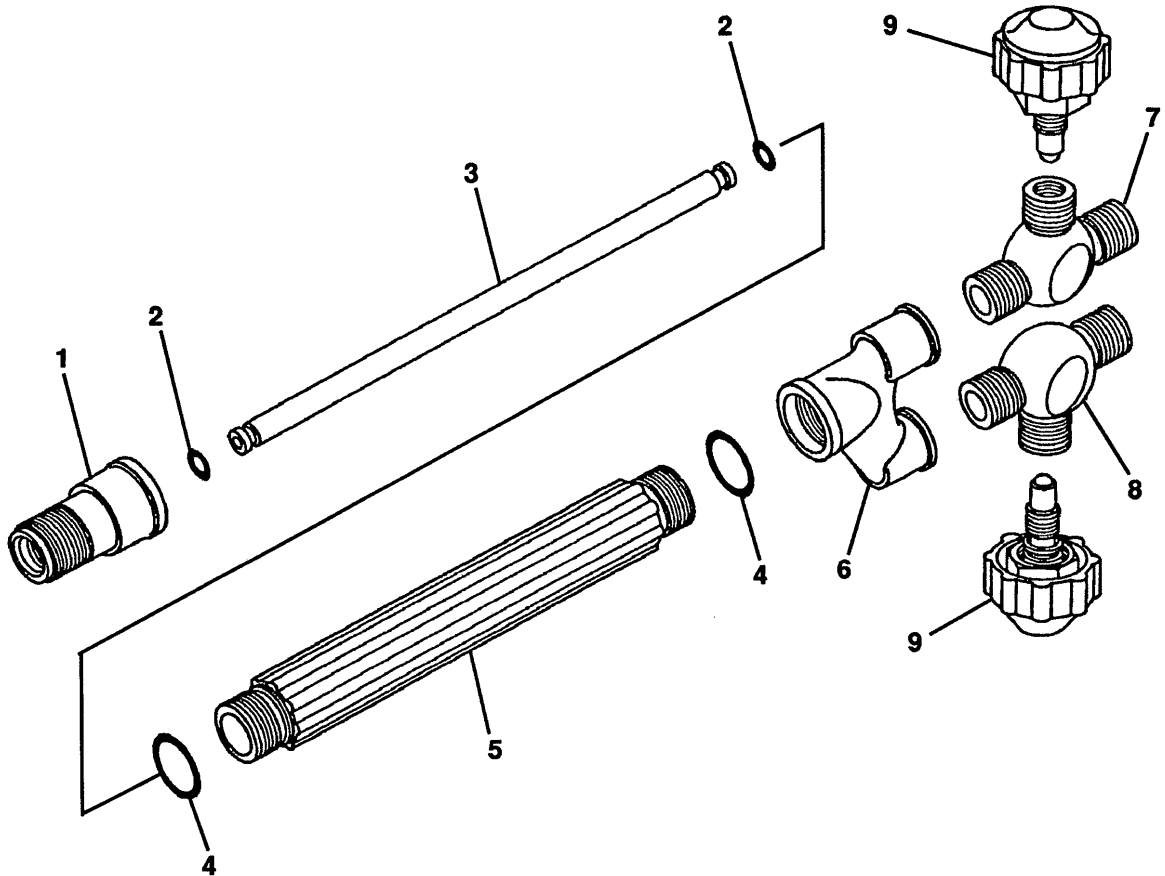
Single Stage

Oxygen Regulator



REF. NO.	MFG. NO.	S-S NO.	DESCRIPTION	CODE	REF. NO.	MFG. NO.	S-S NO.	DESCRIPTION	CODE
	R-O		Single Stage, Oxygen Regulator		10	10MC22		Body Adaptor S/S	
1	G-56		1 1/2" X 4000 lb. Gauge		11	B-8	UN-083	Diaphragm Assembly	
2	G-49		1 1/2" X 100 lb. Gauge		12	B-7	UN-146	Slip Ring	
3	05-1-52	UN-178	Gauge Lens		13	10X83-2	UN-072	Pressure Adjusting Spring	
4	MC-23A	UN-148	Filter Screw Assembly		14	B-43-2		Spring Button Oxygen	
5	1005		Inlet Nipple		15	B-4X		Snap Ring	
6	8059-2		Oxygen Inlet Connection Nut		16	B-2		Cap	
7	1034		R-O Body		17	B-3	UN-073	Pressure Adjusting Screw	
8	10X83	UN-191	Valve Closing Spring		18	54X41-2		H. P. Washer	
9	B-13-2		Valve Seat Assembly		19	1002		Safety Release Cap	

Uniweld Model WH350 Welding Torch

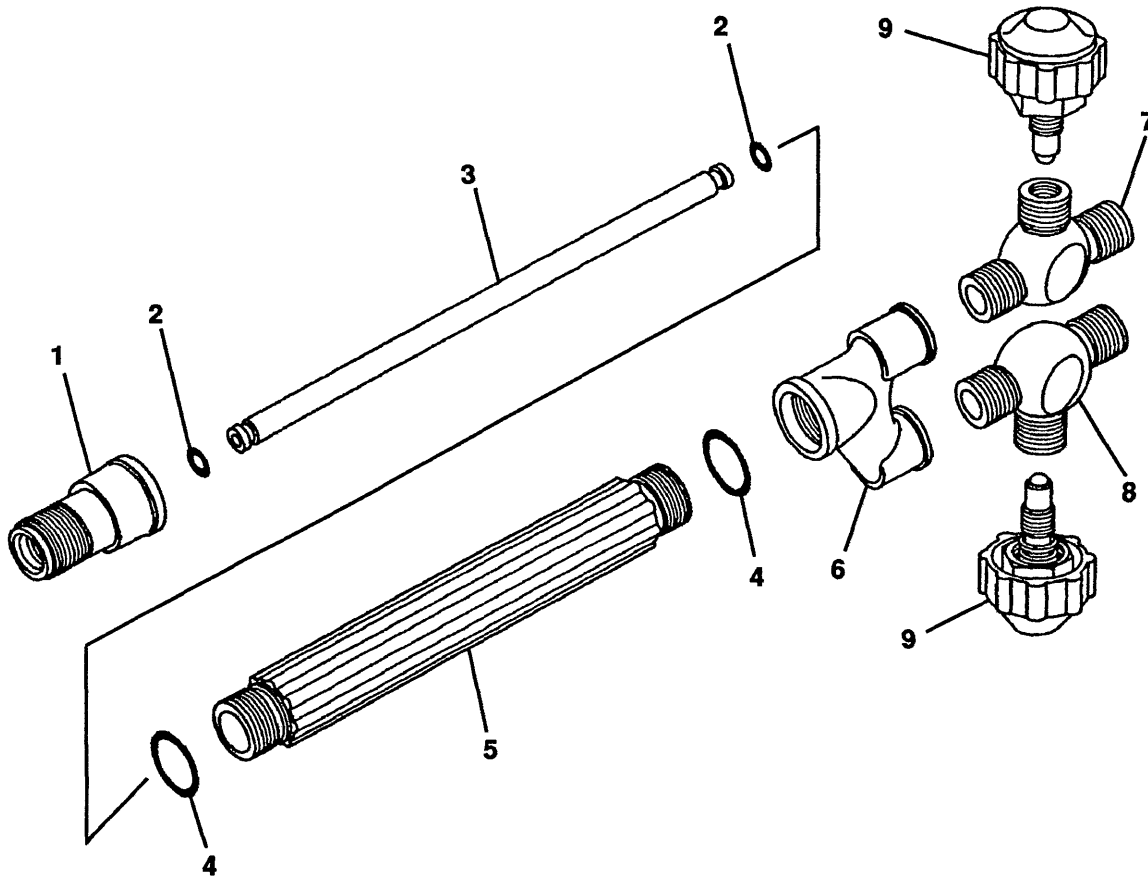


REF. NO.	MFG. NO.	S-S NO.	DESCRIPTION	CODE	REF. NO.	MFG. NO.	S-S NO.	DESCRIPTION	CODE
* 1	WH350 35034-2	UN-060	Welding Torch Front Body		9	A70		Valve Stem Assembly	
2	XO2R		O-Ring (2)		*			Parts not interchangeable with WH35	
3	3518-3		Oxygen Tube						
4	X27R		O-Ring (2)						
* 5	35022		Handle						
* 6	35034-3		Rear Body						
7	7034		R.H. Valve Body, Oxy.						
8	7034-2		L.H. Valve Body, Fuel						

Uniweld

Model WH-360

Welding Torch

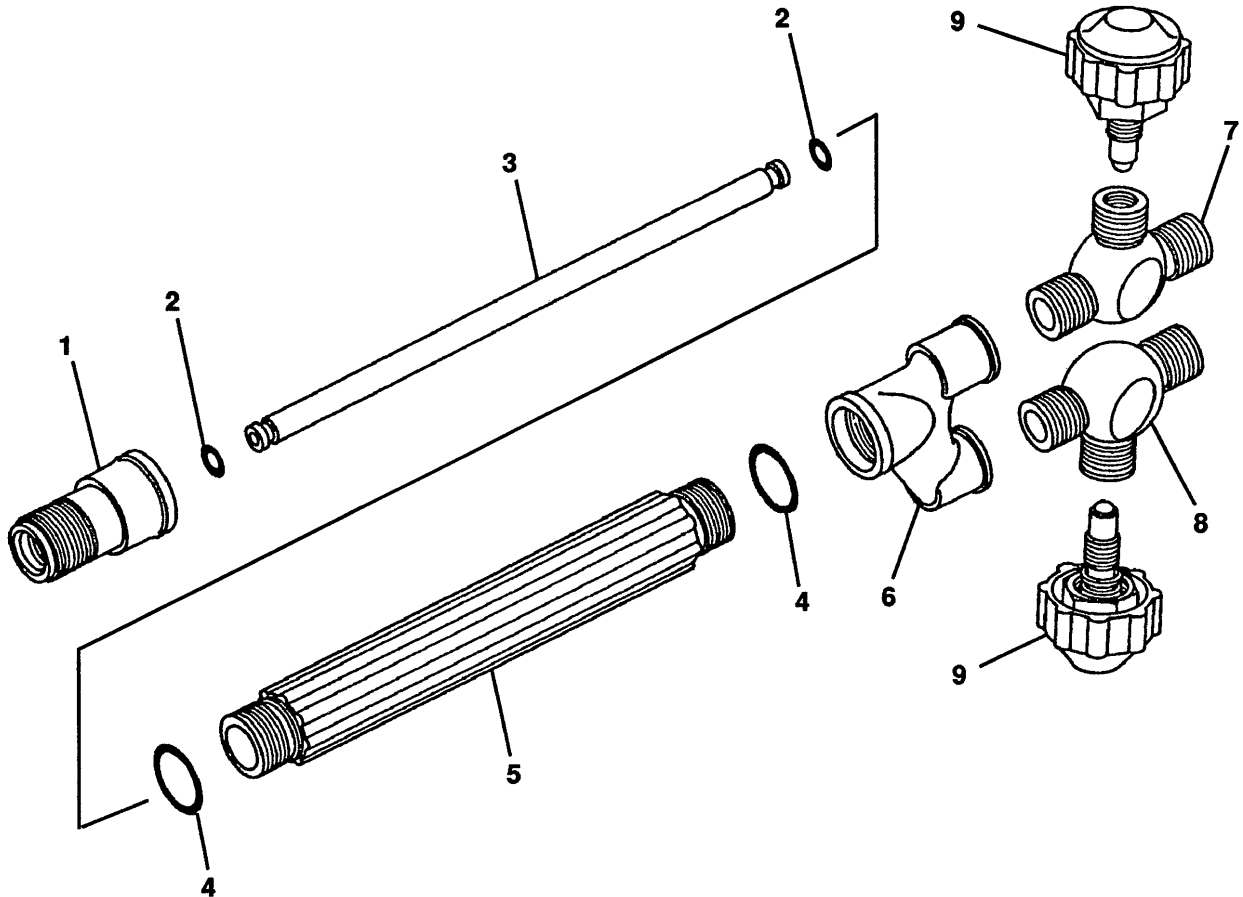


REF. NO.	MFG. NO.	S-S NO.	DESCRIPTION	CODE	REF. NO.	MFG. NO.	S-S NO.	DESCRIPTION	CODE
	WH360		Welding Torch	A	6	36034-2		Rear Body	A, B
	WH360L		Welding Torch	B	7	7234		R.H. Valve Body, Oxy.	A, B
• 1	36034		Front Body	A, B	8	7234-2		L.H. Valve Body, Fuel	A, B
2	X19RV		O-Ring (2)	A, B	9	A72	UN-026	Valve Stem Assembly	A, B
3	3618		Oxygen Tube, WH 360	A	Parts not interchangeable with WH36				
	3618L11		Oxygen Tube, WH360L	B					
4	X36RV		O-Ring (2)	A, B					
* 5	36022		Handle, WH360	A					
* 5	36022L11		Handle, WH360L	B					

Uniweld

Model WH-370

Welding Torch

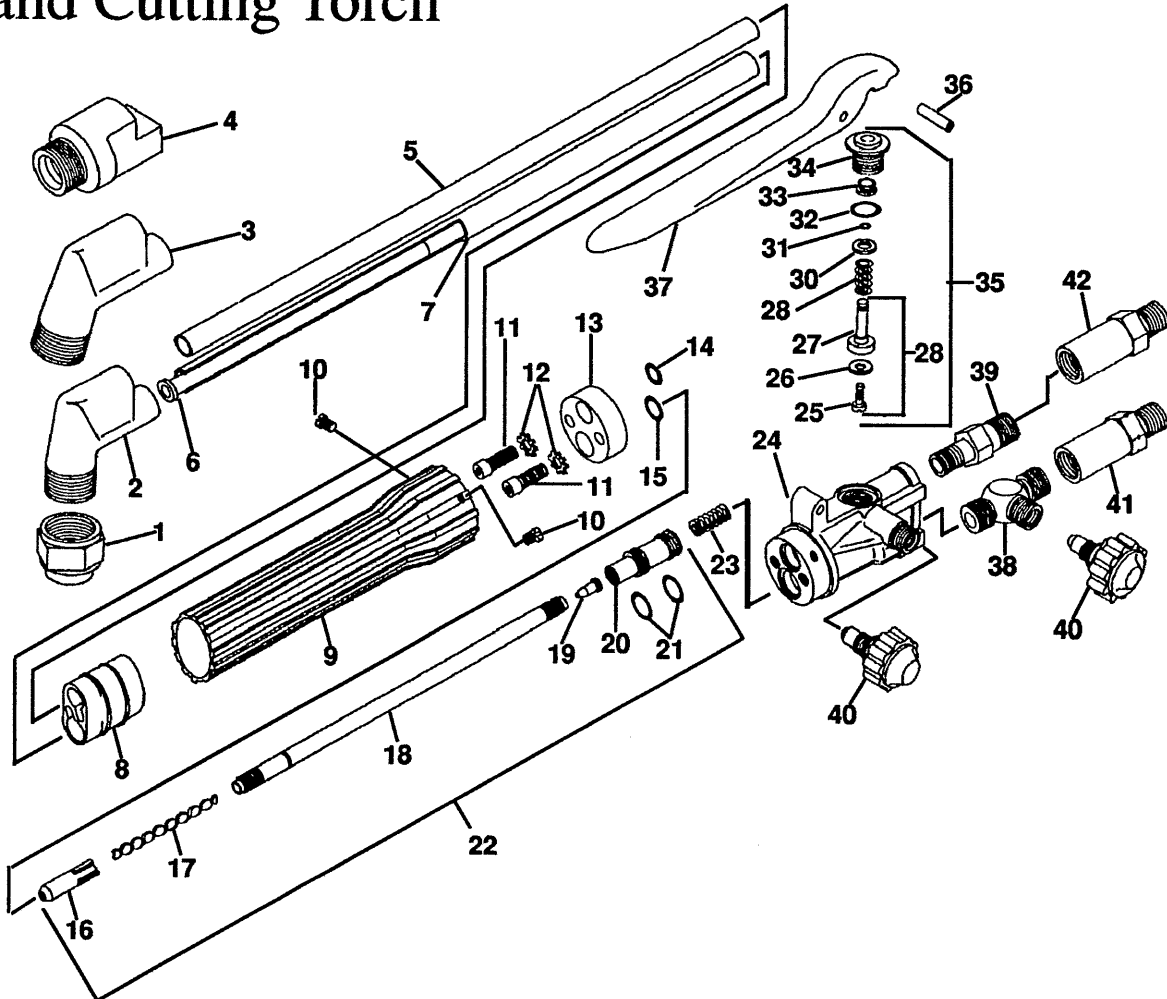


REF. NO.	MFG. NO.	S-S NO.	DESCRIPTION	CODE	REF. NO.	MFG. NO.	S-S NO.	DESCRIPTION	CODE
	WH370		Welding Torch		9	A72	UN-026	Valve Stem Assembly	
1	37034		Front Body						
2	X19RV		O-Ring (2)						
3	3618		Oxygen Tube						
4	X36RV		O-Ring (2)						
5	37022		Handle						
6	36034-2		Rear Body						
7	7234		R.H. Valve Body, Oxy.						
8	7234-2		L.H. Valve Body, Fuel						

Uniweld

Model 830 Series

Hand Cutting Torch

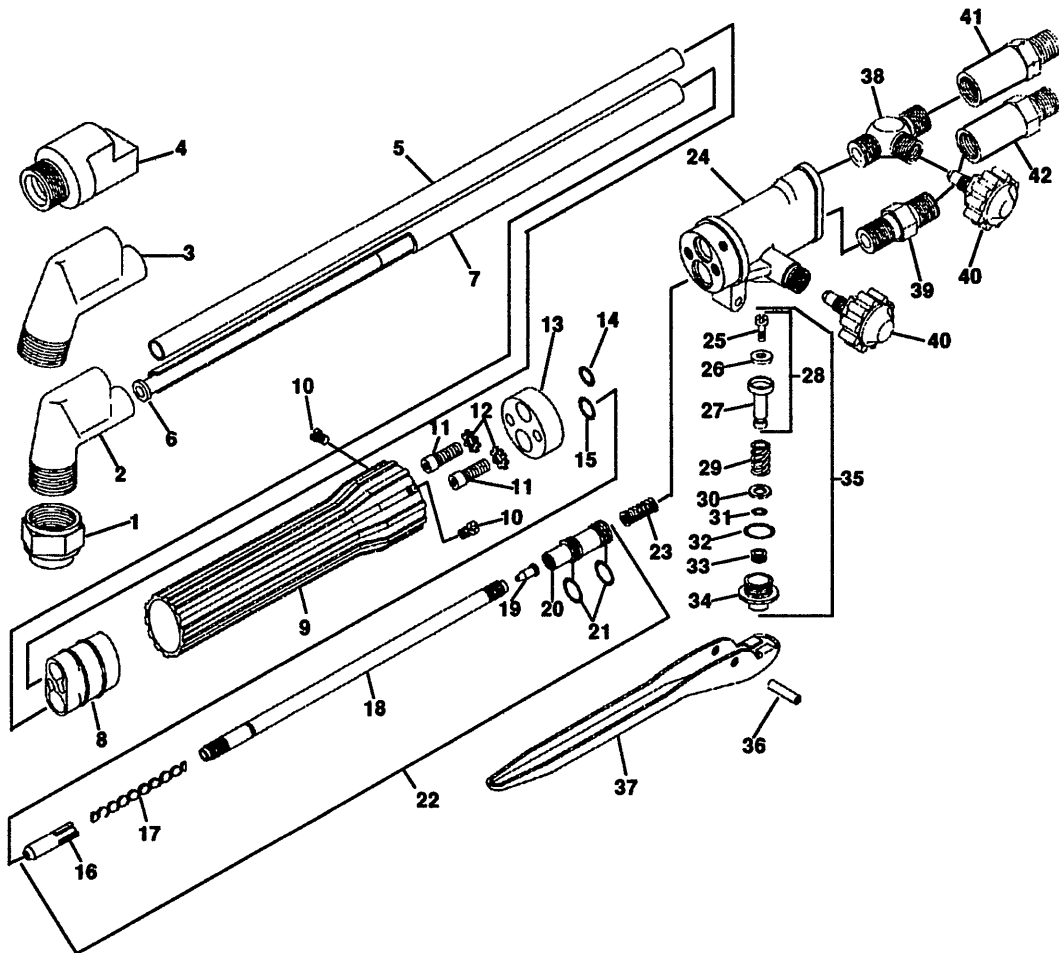


REF. NO.	MFG. NO.	S-S NO.	DESCRIPTION	CODE	REF. NO.	MFG. NO.	S-S NO.	DESCRIPTION	CODE
	830		Hand Cutting Torch, 90°		21	XO3R	UN-008	O-Ring (Mixer) (2)	
	831		Hand Cutting Torch, 75°		22	83016-A		Mixer Assembly	
	832		Hand Cutting Torch, 180°		23	830X83-2		Mixer Spring	
1	7859		Tip Nut		24	83034		Rear Body	
2	830A15		Torch Head 90°		25	83021-23		Seat Holder Screw	
3	83015		Torch Head, 75°		26	7821X		Seat	
4	830B15		Torch Head, 180°		27	83021-3		Seat Holder	
5	83018		Oxygen Tube		28	83021-4		Seat Holder Assembly	
6	83016-4		Fuel Tube Insert		29	830X83		Seat Spring	
7	83018-2		Fuel Tube		30	83041		Seat Washer	
8	83034-2X		Handle Retainer Cap		31	XO6R	UN-015	O-Ring, Seat Holder	
9	83022		Handle		32	X11R		O-Ring, Seat Retainer	
10	830X23		Handle Screw (2)		33	83026-47		Molded Plastic Insert	
11	830X23-2		Cap Screw (2)		34	83026		Seat Retainer	
12	100X41-3		Lock Washer (2)		35	83021A-2		H.P. Seat Assembly	
13	83038		Tube Retainer		36	830X66		Roll Pin	
14	X38R		O-Ring, Oxy.		37	83017		Lever	
15	X15R		O-Ring, Fuel		38	7234-2		Valve Body, Fuel	
16	83016-1		Mixer Front Piece		39	5405		Hose Connection, Oxy.	
17	83016-47		Spiral Mixer Insert		40	A72	UN-026	Valve Stem Assy. (2)	
18	83016-2		Mixer Tube		41	TCV101		L.H. Fuel Check Valve Assy.	
19	830X96		Duck Bill Check Valve		42	TCV100		R.H. Oxygen Check Valve Assy.	
20	83016-3		O-Ring Retainer						

Uniweld

Model 850 Series

Hand Cutting Torch

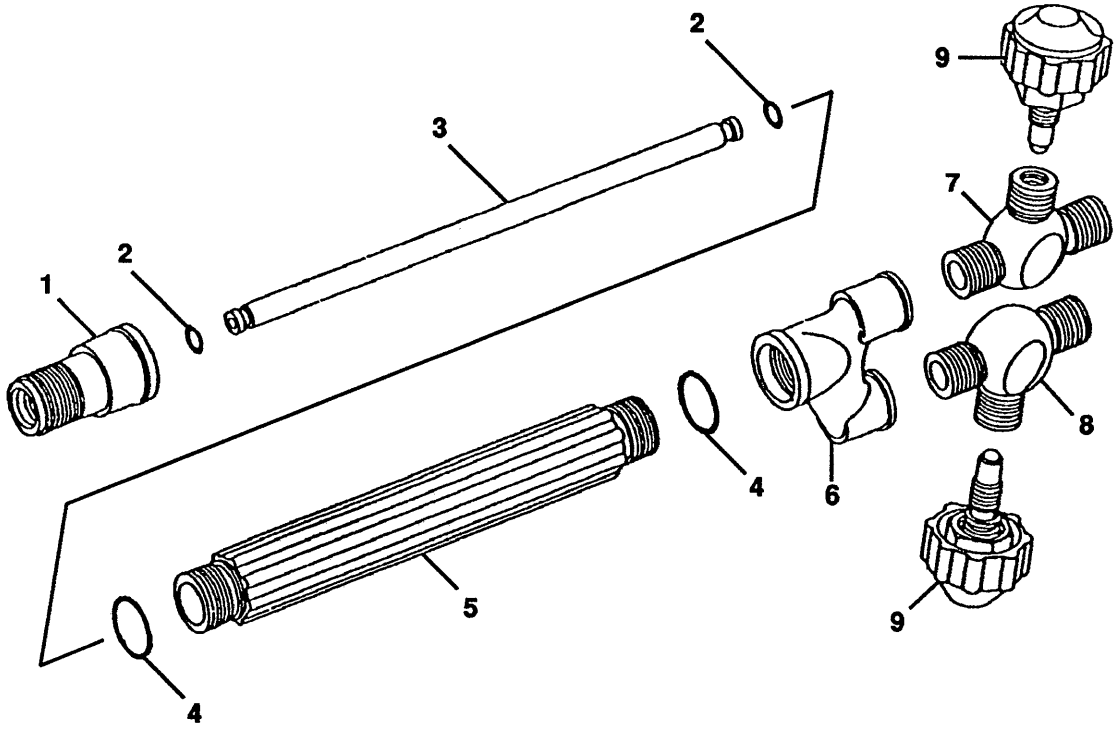


REF. NO.	MFG. NO.	S-S NO.	DESCRIPTION	CODE	REF. NO.	MFG. NO.	S-S NO.	DESCRIPTION	CODE
	850		Hand Cutting Torch, 90°		21	XO3R	UN-008	O-Ring (Mixer) (2)	
	851		Hand Cutting Torch, 75°		22	83016-A		Mixer Assembly	
	852		Hand Cutting Torch, 180°		23	830X83-2		Mixer Spring	
1	7859		Tip Nut		24	85034		Rear Body	
2	830A15		Torch Head 90°		25	83021-23		Seat Holder Screw	
3	83015		Torch Head, 75°		26	7821X		Seat	
4	830B15		Torch Head, 180°		27	83021-3		Seat Holder	
5	83018		Oxygen Tube		28	83021-4		Seat Holder Assembly	
6	83016-4		Fuel Tube Insert		29	830X83		Seat Spring	
7	83018-2		Fuel Tube		30	83041		Seat Washer	
8	83034-2X		Handle Retainer Cap		31	XO6R	UN-015	O-Ring, Seat Holder	
9	83022		Handle		32	X11R		O-Ring, Seat Retainer	
10	830X23		Handle Screw (2)		33	83026-47		Molded Plastic Insert	
11	830X23-2		Cap Screw (2)		34	83026		Seat Retainer	
12	100X41-3		Lock Washer (2)		35	83021A-2		H.P. Seat Assembly	
13	83038		Tube Retainer		36	830X66		Roll Pin	
14	X38R		O-Ring, Oxy.		37	83017		Lever	
15	X15R		O-Ring, Fuel		38	7234-2		Valve Body, Fuel	
16	83016-1		Mixer Front Piece		39	5405		Hose Connection, Oxy.	
17	83016-47		Spiral Mixer Insert		40	A72	UN-026	Valve Stem Assy. (2)	
18	83016-2		Mixer Tube		41	TCV101		L.H. Fuel Check Valve Assy.	
19	830X96		Duck Bill Check Valve		42	TCV100		R.H. Oxygen Check Valve Assy.	
20	83016-3		O-Ring Retainer						

Uniweld

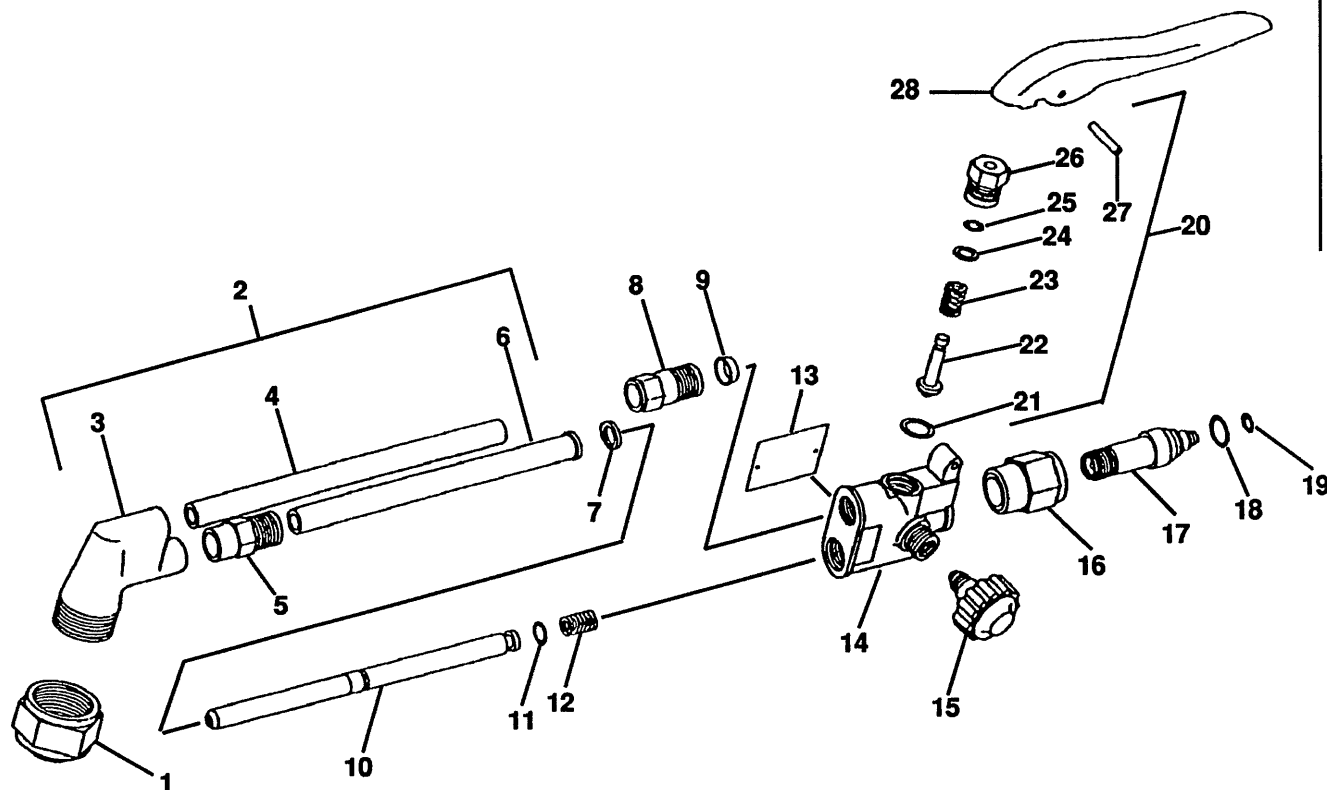
Model WH250

Welding Torch



REF. NO.	MFG. NO.	S-S NO.	DESCRIPTION	CODE	REF. NO.	MFG. NO.	S-S NO.	DESCRIPTION	CODE
	WH 250		Welding Torch		5	35022		Handle	
1	25034	UN-060	Front Body (9/16"-24)		6	35034-3		Rear Body	
2	XO2R		O-Ring (2)		7	7034		R.H. Valve Body, Oxy.	
3	3518-3		Oxygen Tube		8	7034-2		L.H. Valve Body, Fuel	
4	X27R		O-Ring (2)		9	A70		Valve Stem Assembly	

Uniweld Model CA 250 Welding Torch

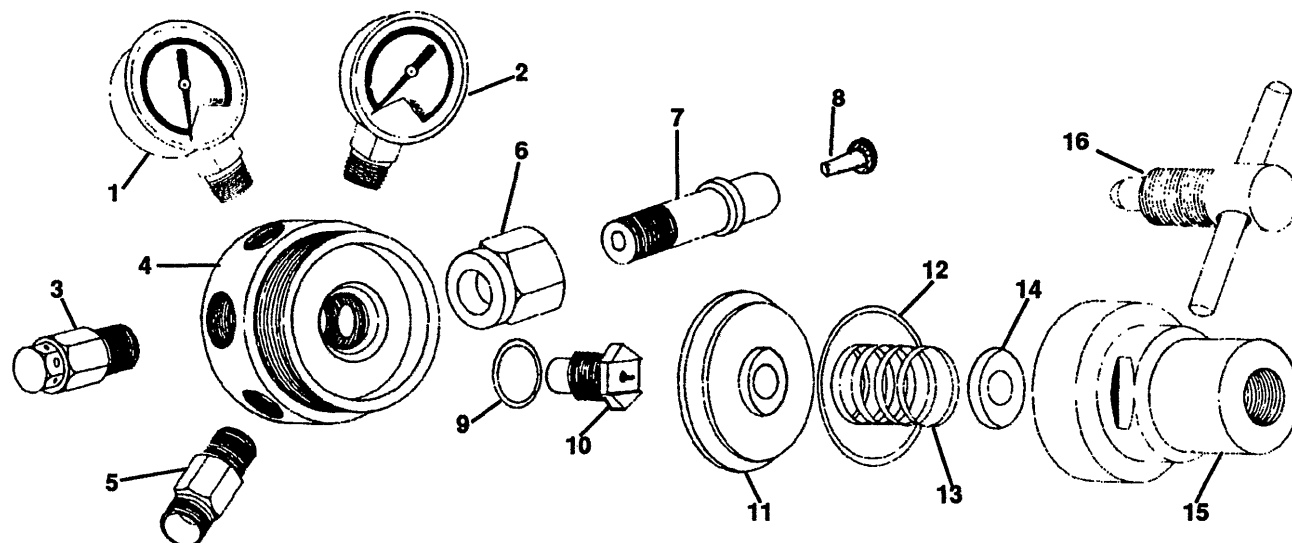


REF. NO.	MFG. NO.	S-S NO.	DESCRIPTION	CODE	REF. NO.	MFG. NO.	S-S NO.	DESCRIPTION	CODE
	CA 250		Cutting Attachment		15	A35	UN-018	Valve Assembly	
1	3559		Tip Nut		16	25059		Coupling Nut	
2	350A14		Head and Tube Assy. (3-6)		17	25004		Adaptor	
3	350A15	UN-208	Head 90°		18	X26R	UN-011	O-Ring (large)	
4	35018		H.P. Oxygen Tube		19	X25R	UN-012	O-Ring (small)	
5	35059-3		Tube Nut, Mixer Tube		20	C-35-A		H.P. Seat Assembly	
6	35018-2		Acetylene Tube		21	3541-3		Gasket	
7	3541		Gasket, Copper		22	C-35		Seat	
8	35059-2		Tube Nut, Oxygen Tube		23	35X83-3		Valve Spring	
9	35011		Ferrule		24	3541-2		Washer, Brass	
10	35016		Mixer		25	XO2RS	UN-022	O-Ring, H.P.	
11	XO6R	UN-015	O-Ring (mixer)		26	3559-4		H.P. Nut	
12	35X83-3		Mixer Spring		27	35X66		Roll Pin, Lever	
13	N/A		Name Plate		28	3517		Lever	
14	35034-10.6		Body						

Uniweld

Model MR8210

Oxygen Regulator

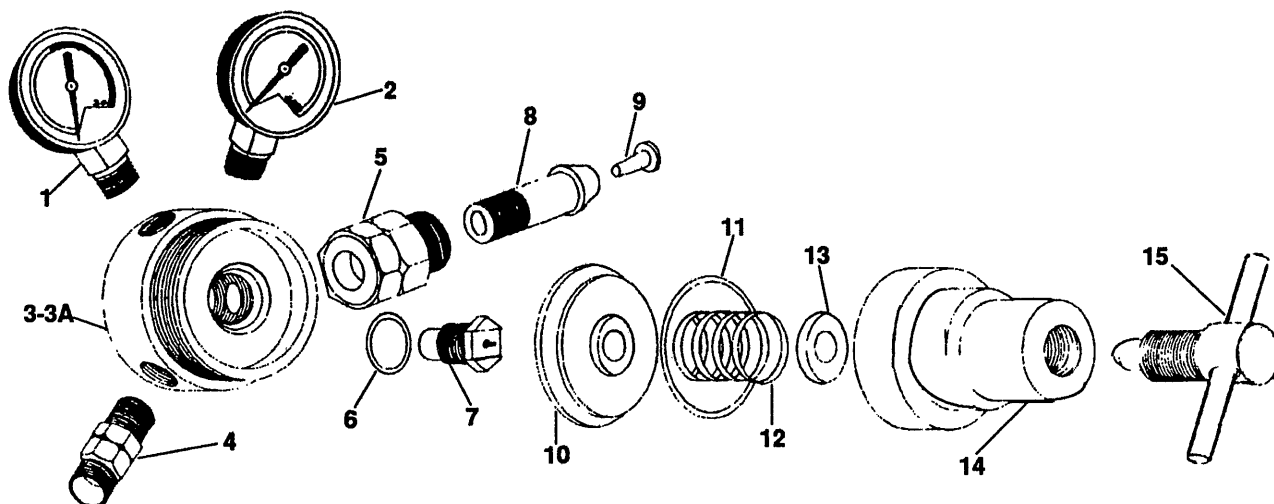


REF. NO.	MFG. NO.	S-S NO.	DESCRIPTION	CODE	REF. NO.	MFG. NO.	S-S NO.	DESCRIPTION	CODE
	MR8210		Oxygen Regulator		9	W13F		Teflon Washer	
1	G-70		Tip Nut		10	20-000-368		Seat Housing Assy	
2	G-82		Contents Gauge (4000 psi)		11	B-8	UN-083	Diaphragm Assembly	
3	RV96	UN-085	Safety Valve Assembly		12	B-7	UN-146	Slip Ring	
4	MR8210-34		Regulator Body		13	10X83-2	UN-072	Press. Adjust. Spring	
5	8011		Outlet Conn.		14	B-43		Spring Button	
6	8059-2		Inlet Conn. Nut, CGA540		15	MR29		Regulator Bonnet	
7	8012-2		Inlet Nipple, CGA540		16	RU23-3		P.A. Screw	
8	80X31-2		Metal Filter						

Uniweld

Model MR8211

Acetylene Regulator



REF. NO.	MFG. NO.	S-S NO.	DESCRIPTION	CODE	REF. NO.	MFG. NO.	S-S NO.	DESCRIPTION	CODE
	MR8211-3		Acetylene Regulator		7	20-000-368		Seat Housing Assy	
1	G-79		Delivery Gauge (30 psi Red Line)		8	1205-2		Inlet Nipple, CGA510	
2	G-73		Contents Gauge (400 psi)		9	80X31-2		Metal Filter	
3	MR8211-34		Regulator Body		10	B-8	UN-083	Diaphragm Assembly	
	MR8211-34-3		Regulator Body (6 o'clock inlet for Linde cylinder)		11	B-7	UN-146	Slip Ring	
4	8111		Outlet Conn.		12	B-6X	UN-084	Spring	
5	8159-2		Inlet Conn. Nut, CGA510		13	B-43		Spring Button	
6	W13F		Teflon Washer		14	MR29		Regulator Bonnet	
					15	RU23-3		P.A. Screw	