

Upper Attachments

B3083 - Welded Beam Attachment (TOLCO Fig. 305)

B3083WO - Welded Beam Attachment Without Pin (TOLCO Fig. 304)

Size Range: 3/8"-16 thru 2"-4 1/2 rod

Material: Steel (Stainless steel available)

Function: Designed for attaching hanger rod to the bottom of structural steel where heavy loads and large hanger rod sizes are required. Can be welded in place in either the upright or inverted position. When using B3083WO, attach hanger rod to bolt or pin with a B3200 weldless eye nut or B3210 and B3211 series eye rods.

Approvals: Conforms to Federal Specification WW-H-171E & A-A-1192A, Type 22 and Manufacturers Standardization Society ANSI/MSS SP-69 & SP-58, Type 22.

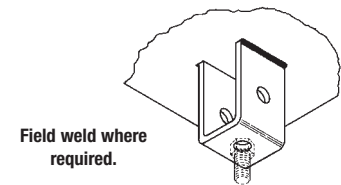
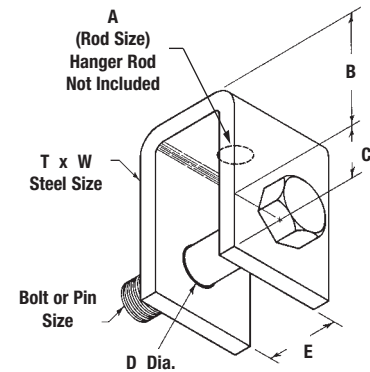
Finish: Plain or Electro-Galvanized. Contact B-Line for alternative finishes and materials.

Order By: Part number (with or without hardware) and finish.

Note: When ordering with hardware for sizes 3/8 thru 1 1/8, hex head cap screws and hex nuts will be supplied. For 1 1/4 thru 2, clevis pin and cotter pins will be supplied. Must be specified with or without hardware.

B
Center of cross bolt to bottom of attachment.

C
Center of cross bolt to top of attachment.



Part No.	Rod Size A	Pin or Bolt Size		Design Load				Approx. Wt./100			
		in.	(mm)	650° F (349°C)		750° F (399°C)		W/O Hardware		With Hardware	
				Lbs.	(kN)	Lbs.	(kN)	Lbs.	(kg)	Lbs.	(kg)
B3083-3/8	3/8"-16	1/2"	(12.7)	730	(3.25)	572	(2.54)	89	(40.3)	110	(49.9)
B3083-1/2	1/2"-13	5/8"	(15.9)	1350	(6.00)	1057	(4.70)	87	(39.4)	123	(55.8)
B3083-5/8	5/8"-11	3/4"	(19.0)	2160	(9.61)	1692	(7.52)	84	(38.1)	140	(63.5)
B3083-3/4	3/4"-10	7/8"	(22.2)	3230	(14.37)	2530	(11.25)	173	(78.4)	268	(121.5)
B3083-7/8	7/8"-9	1"	(25.4)	4480	(19.93)	3508	(15.60)	234	(106.1)	376	(170.4)
B3083-1	1"-8	1 1/8"	(28.6)	5900	(26.24)	4620	(20.55)	394	(178.6)	596	(270.2)
B3083-1 1/8	1 1/8"-7	1 1/4"	(31.7)	7450	(33.14)	5830	(25.93)	402	(182.2)	680	(308.3)
B3083-1 1/4	1 1/4"-7	1 3/8"	(34.9)	9500	(42.25)	7440	(33.09)	734	(332.7)	955	(432.9)
B3083-1 1/2	1 1/2"-6	1 5/8"	(41.3)	13800	(61.38)	10807	(48.07)	1460	(661.8)	1817	(823.7)
B3083-1 3/4	1 3/4"-5	1 7/8"	(47.6)	18600	(82.73)	14566	(64.79)	1746	(791.5)	2310	(1047.1)
B3083-2	2"-4 1/2	2 1/4"	(57.1)	24600	(109.42)	19625	(87.29)	2190	(992.7)	2996	(1358.1)

Part No.	B	C	Dia. D		E		T x W			
	in.	(mm)	in.	(mm)	in.	(mm)	in.	(mm)		
B3083-3/8	2"	(50.8)	7/8"	(22.2)	9/16"	(14.3)	1 1/4"	(31.7)	1/4" x 2"	(6.3 x 50.8)
B3083-1/2	2"	(50.8)	7/8"	(22.2)	11/16"	(17.5)	1 1/4"	(31.7)	1/4" x 2"	(6.3 x 50.8)
B3083-5/8	2"	(50.8)	7/8"	(22.2)	13/16"	(20.6)	1 1/4"	(31.7)	1/4" x 2"	(6.3 x 50.8)
B3083-3/4	2"	(50.8)	1 1/8"	(28.6)	15/16"	(23.8)	1 1/2"	(38.1)	3/8" x 2 1/2"	(9.5 x 63.5)
B3083-7/8	3"	(76.2)	1 1/4"	(31.7)	1 1/8"	(28.6)	2"	(50.8)	3/8" x 2 1/2"	(9.5 x 63.5)
B3083-1	3"	(76.2)	1 1/2"	(38.1)	1 1/4"	(31.7)	2"	(50.8)	1/2" x 3"	(12.7 x 76.2)
B3083-1 1/8	3"	(76.2)	1 1/2"	(38.1)	1 3/8"	(34.9)	2 3/4"	(69.8)	1/2" x 3"	(12.7 x 76.2)
B3083-1 1/4	3"	(76.2)	2"	(50.8)	1 1/2"	(38.1)	3"	(76.2)	5/8" x 4"	(15.9 x 101.6)
B3083-1 1/2	4"	(101.6)	2 1/2"	(63.5)	1 3/4"	(44.4)	3 1/2"	(88.9)	3/4" x 5"	(19.0 x 127.0)
B3083-1 3/4	5"	(127.0)	2 3/4"	(69.8)	2"	(50.8)	3 3/4"	(95.2)	3/4" x 5"	(19.0 x 127.0)
B3083-2	5"	(127.0)	3 1/4"	(82.5)	2 3/8"	(60.3)	3 3/4"	(95.2)	3/4" x 6"	(19.0 x 152.4)

Upper Attachments

Upper Attachments

B3080S - (Short) Structural Welding Lug (TOLCO Fig. 343 Short)

B3080L - (Long) Structural Welding Lug (TOLCO Fig. 343 Long)

Size Range: Short lug is available for use with 1/2"-13 thru 2"-4 1/2 rods; Long lug may be used with 1/2"-13 thru 2"-4 1/2 rod.

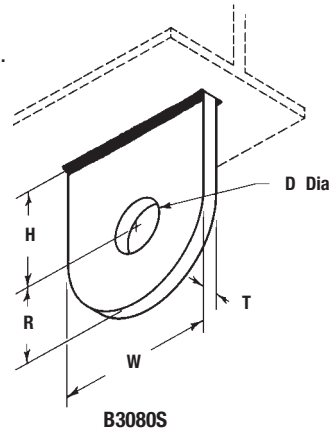
Material: Steel

Function: Designed for attachment to structural steel. Use with B3201 forged steel clevis.

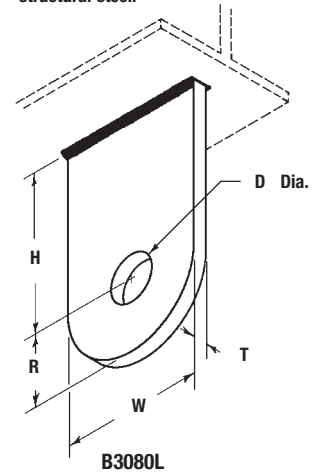
Approvals: Conforms to Manufacturers Standardization Society ANSI/MSS SP-69 & SP-58, Type 57.

Finish: Plain or Electro-Galvanized

Order By: Part number and finish.



Note:
Must be field welded to structural steel.



Part No.		For Hanger	Pin or Bolt Size		Design Load	Approx. Wt./100				
Short	Long		in.	(mm)		Lbs.	(kg)	Lbs.	(kg)	
B3080S-1/2	B3080L-1/2	1/2"-13	5/8"	(15.9)	1350	(6.00)	44	(19.9)	71	(32.2)
B3080S-5/8	B3080L-5/8	5/8"-11	3/4"	(19.0)	2160	(9.61)	44	(19.9)	68	(30.8)
B3080S-3/4	B3080L-3/4	3/4"-10	7/8"	(22.0)	3230	(14.37)	63	(28.6)	100	(45.3)
B3080S-7/8	B3080L-7/8	7/8"-9	1"	(25.4)	4480	(19.93)	71	(32.2)	100	(45.3)
B3080S-1	B3080L-1	1"-8	1 1/8"	(28.6)	5900	(26.24)	126	(57.1)	169	(76.6)
B3080S-1 1/8	B3080L-1 1/8	1 1/8"-7	1 1/4"	(31.7)	7450	(33.14)	166	(75.3)	208	(94.3)
B3080S-1 1/4	B3080L-1 1/4	1 1/4"-7	1 3/8"	(38.1)	9500	(42.25)	310	(140.6)	381	(172.8)
B3080S-1 1/2	B3080L-1 1/2	1 1/2"-6	1 5/8"	(41.3)	13800	(61.38)	503	(228.1)	662	(300.3)
B3080S-1 3/4	B3080L-1 3/4	1 3/4"-5	1 7/8"	(47.6)	18600	(82.73)	487	(220.9)	646	(293.0)
B3080S-2	B3080L-2	2"-4 1/2	2 1/4"	(57.1)	24600	(109.42)	744	(337.5)	808	(366.5)

Part No.		Hole Dia. 'D'		Short		H		Long		R		T		W	
Short	Long	in.	(mm)	in.	(mm)	in.	(mm)	in.	(mm)	in.	(mm)	in.	(mm)	in.	(mm)
B3080S-1/2	B3080L-1/2	11/16"	(17.5)	1 1/2"	(38.1)	3"	(76.2)	1 1/4"	(31.7)	1/4"	(6.3)	2 1/2"	(63.5)		
B3080S-5/8	B3080L-5/8	13/16"	(20.6)	1 1/2"	(38.1)	3"	(76.2)	1 1/4"	(31.7)	1/4"	(6.3)	2 1/2"	(63.5)		
B3080S-3/4	B3080L-3/4	15/16"	(23.8)	1 1/2"	(38.1)	3"	(76.2)	1 1/4"	(31.7)	3/8"	(9.5)	2 1/2"	(63.5)		
B3080S-7/8	B3080L-7/8	1 1/8"	(28.6)	2"	(50.8)	3"	(76.2)	1 1/4"	(31.7)	3/8"	(9.5)	2 1/2"	(63.5)		
B3080S-1	B3080L-1	1 1/4"	(31.7)	2"	(50.8)	3"	(76.2)	1 1/2"	(38.1)	1/2"	(12.7)	3"	(76.2)		
B3080S-1 1/8	B3080L-1 1/8	1 3/8"	(34.9)	3"	(76.2)	4"	(101.6)	1 1/2"	(38.1)	1/2"	(12.7)	3"	(76.2)		
B3080S-1 1/4	B3080L-1 1/4	1 1/2"	(38.1)	3"	(76.2)	4"	(101.6)	2"	(50.8)	5/8"	(15.9)	4"	(101.6)		
B3080S-1 1/2	B3080L-1 1/2	1 3/8"	(44.4)	3"	(76.2)	4 1/2"	(114.3)	2 1/2"	(63.5)	3/4"	(19.0)	5"	(127.0)		
B3080S-1 3/4	B3080L-1 3/4	2"	(50.8)	3"	(76.2)	4 1/2"	(114.3)	2 1/2"	(63.5)	3/4"	(19.0)	5"	(127.0)		
B3080S-2	B3080L-2	2 3/8"	(60.3)	4"	(101.6)	4 1/2"	(114.3)	3"	(76.2)	3/4"	(19.0)	6"	(152.4)		

All dimensions in charts and on drawings are in inches. Dimensions shown in parentheses are in millimeters unless otherwise specified.