

Features

- Molded wood.
- Round closed-front seat with lid.
- Polished Chrome hinges.



Codes/Standards

IAPMO/ANSI Z124.5

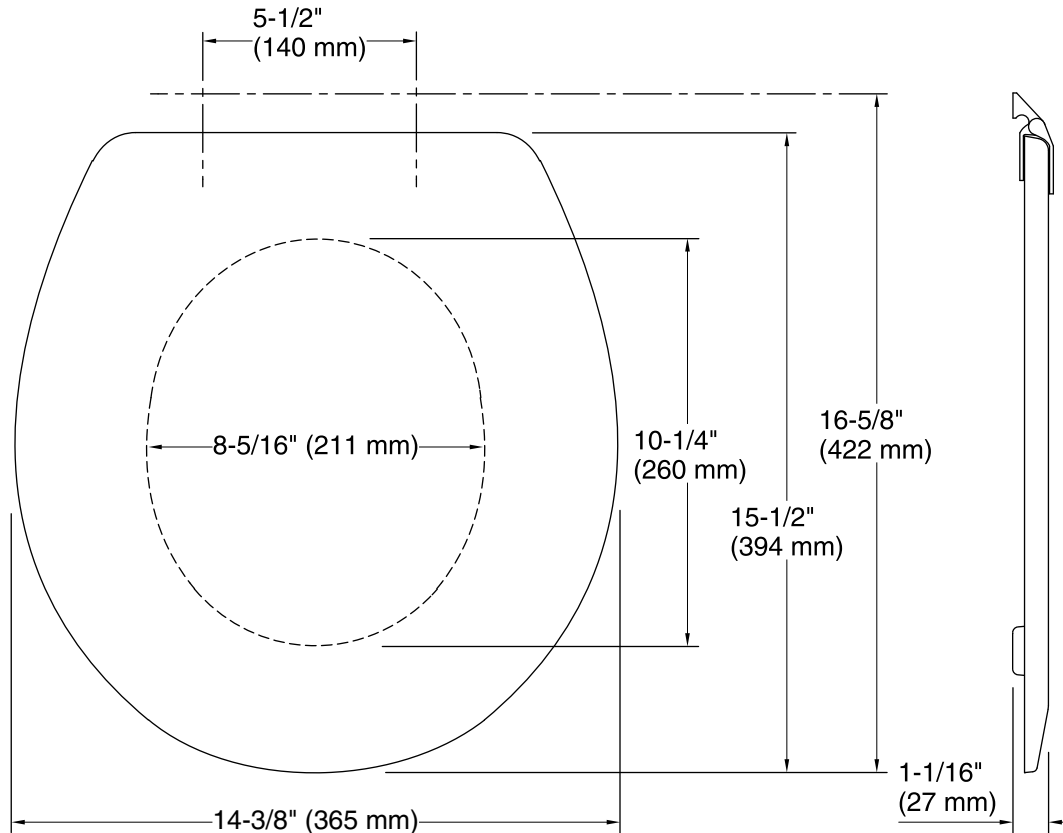
KOHLER® One-Year Limited Warranty

See website for detailed warranty information.

Available Color/Finishes

Color tiles intended for reference only.

Color	Code	Description
	0	White
	96	Biscuit
	47	Almond
	NY	Dune
	55	Innocent Blush™
	Y2	Sunlight
	NG	Tea Green
	95	Ice™ Grey
	G9	Sandbar
	33	Mexican Sand™
	6	Skylight
	45	Wild Rose™
	K4	Cashmere
	12	Jersey Cream
	56	Tender Grey
	71	Seafoam Green
	89	Desert Bloom
	68	Heron Blue
	10	Peachblow
	18	
	2	



Technical Information

All product dimensions are nominal.

Seat shape type: Round

Seat front type: Closed front

Seat-mounting holes: 5-1/2" (140 mm)

Notes

Install this product according to the installation guide.