

### IN-LINE DIVERTER VALVES 141-600B, 141-600E & 141-600F

Form PS 141-600B/E/F v4

#### DESCRIPTION

HydroGuard® 3-port, in-line diverter valve provides smooth transfer of water from one outlet (showerhead) to another (hand shower or tub spout). Compatible with all Biltmore 900, HydroGuard 410, HydroGuard T/P Series e700 and e420 tempering shower valves.

#### Valve features:

- Cast bronze body.
- Chrome-plated zinc die-cast ABS, ADA-compliant handles.
- Stainless steel faceplate.
- Easy-to-read graphic insert.

#### SPECIFICATIONS


**Connections** ..... 1/2" sweat inlets and outlet  
**Capacity** ..... 6.0 gpm @ 45 psi differential  
 (23 L/min @ 310 kPa)  
**Maximum Inlet Temperature** ..... 180°F [82°C]  
**Maximum Operating Pressure** ..... 125 psig [862 kPa]  
**Agency Approvals** ..... ADA-compliant handle  
**Certified** ..... CSA-B125  
**Shipping Weight** ..... 3.0 lbs [1.4 kg.]



Standard Metal Handle  
141-600B



Deluxe ABS Handle  
141-600E

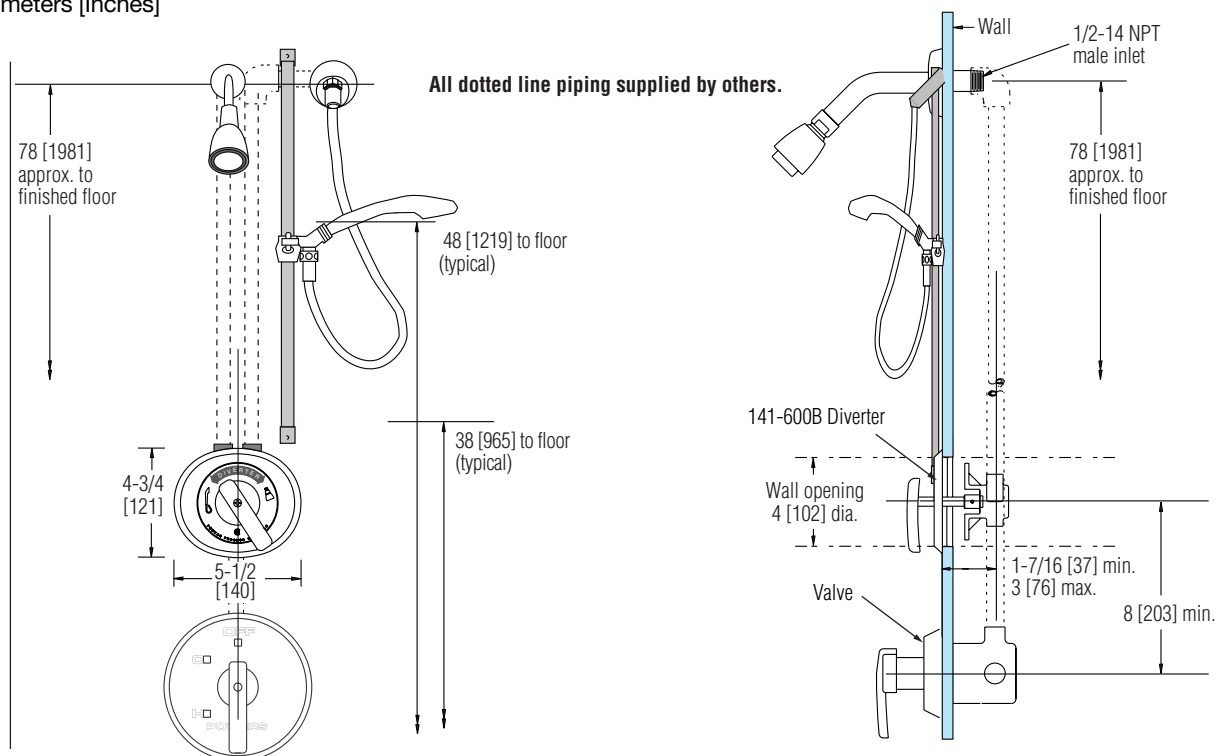
ADA-compliant handles 



Deluxe Metal Handle  
141-600F

#### TYPICAL INSTALLATION

Millimeters [Inches]



Powers Process Controls continues to strive for improved quality in product performance and, therefore, reserves the right of price, product or design modification without notice or obligation. **See reverse for parts and repair kits.**

**PARTS AND REPAIR KITS**

**Handle Kit #141-620 For 141-600B**

Item	Description	Qty.
A	Lever Handle Screw	1
B	Lever Handle	1

**Handle Kit #220-052A For 141-600E**

Item	Description	Qty.
A	Lever Handle Screw	1
B	Lever Handle	1

**Handle Kit #220-050 For 141-600F**

Item	Description	Qty.
A	Lever Handle Screw	1
B	Lever Handle	1

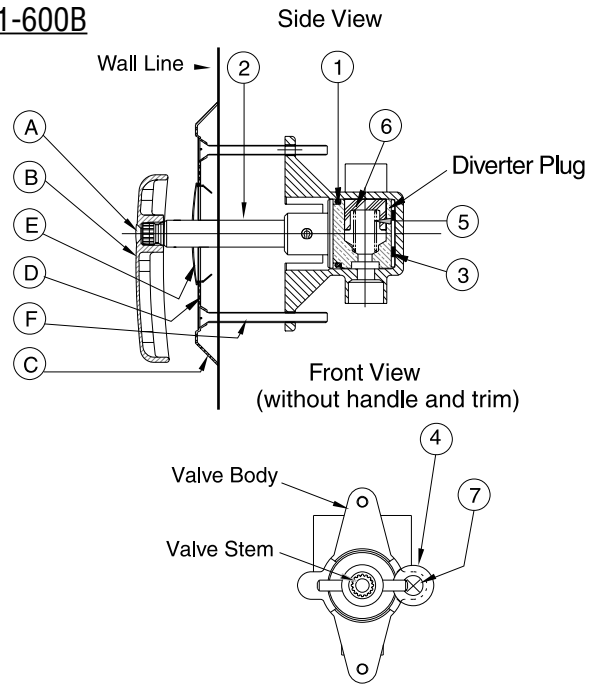
**Trim Kit #141-622**

Item	Description	Qty.
C	Trim Plate	1
D	Graphic Insert	1
E	Plug Button	1
F	Trim Plate Screws	2

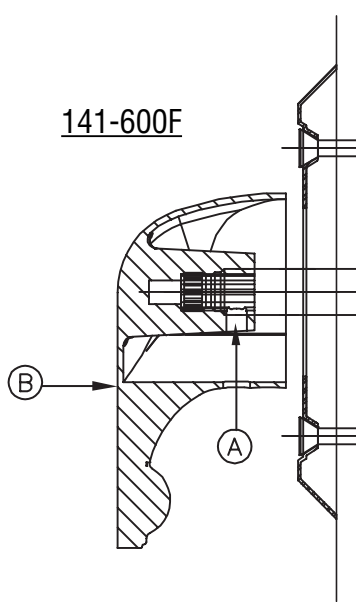
**Stem Kit #141-621**

Item	Description	Qty.
1	"O"-Ring	1
2	Stem	1
3	Washer	1
4	Washer	1
5	Spring	1
6	Shut-Off Plug	1
7	Screw	1

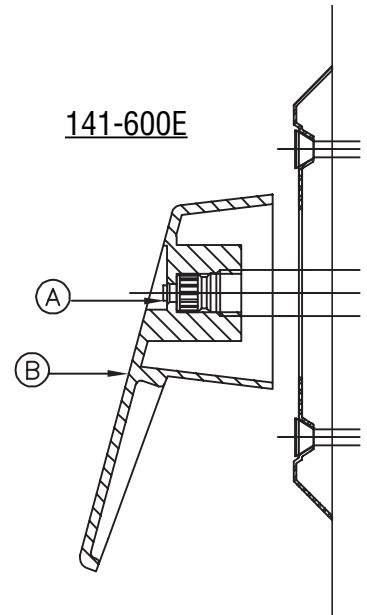
**141-600B**



**141-600F**



**141-600E**



ENGINEERING APPROVAL	
Project:	
Contractor:	
Architect/Engineer:	

**CALIFORNIA PROPOSITION 65 WARNING**  
**WARNING:** This product contains chemicals known to the State of California to cause cancer and birth defects or other reproductive harm. (California law requires this warning to be given to customers in the State of California.)  
 For more information: [www.wattsind.com/prop65](http://www.wattsind.com/prop65)

**POWERS™**

© 2004 Powers, a division of Watts Water Technologies, Inc.  
 USA Phone: 1.800.669.5430 • Fax 1.847.824.0627  
 Canada Phone: 1.888.208.8927 • Fax 1.888.882.1979  
[www.powerscontrols.com](http://www.powerscontrols.com)