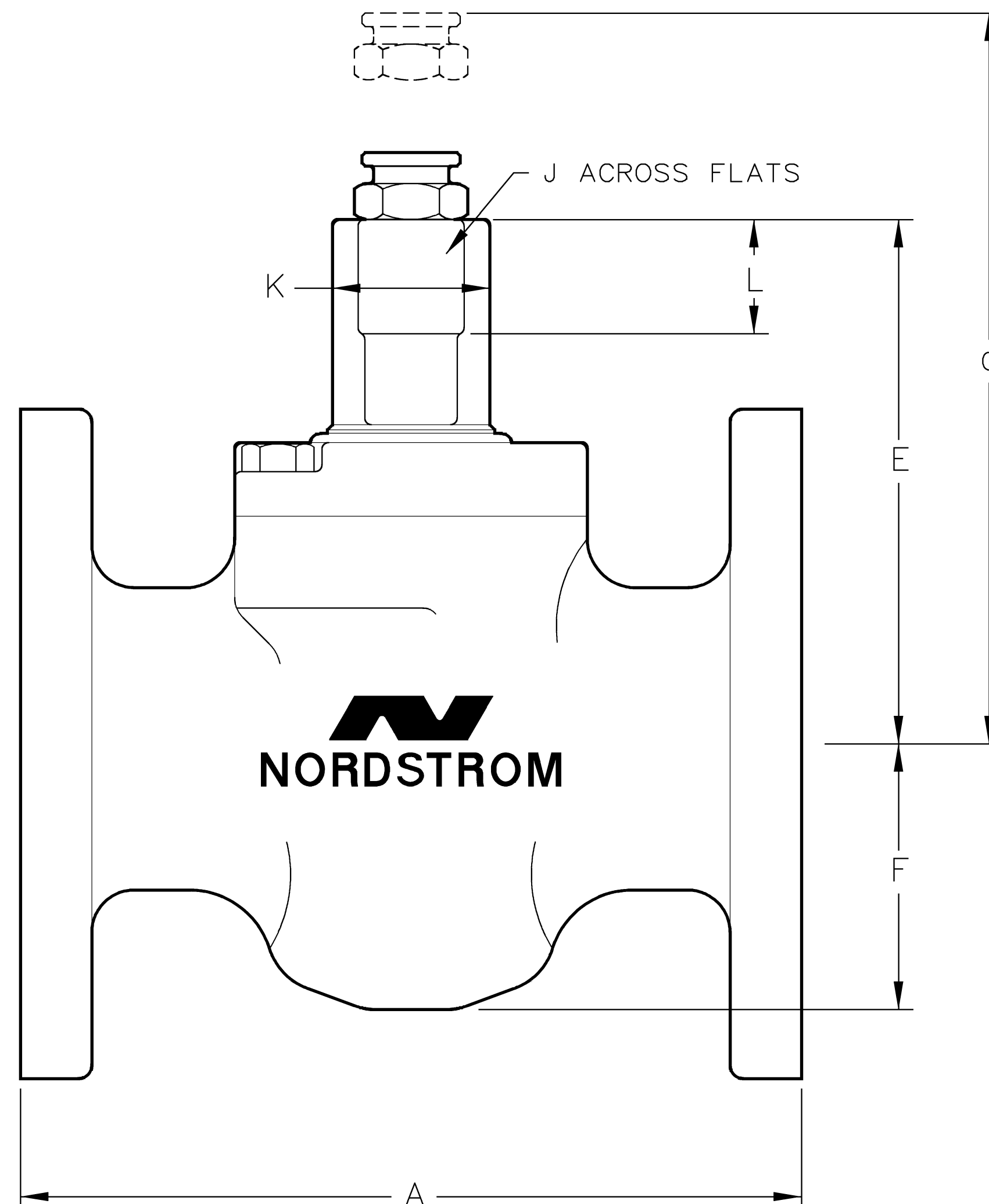
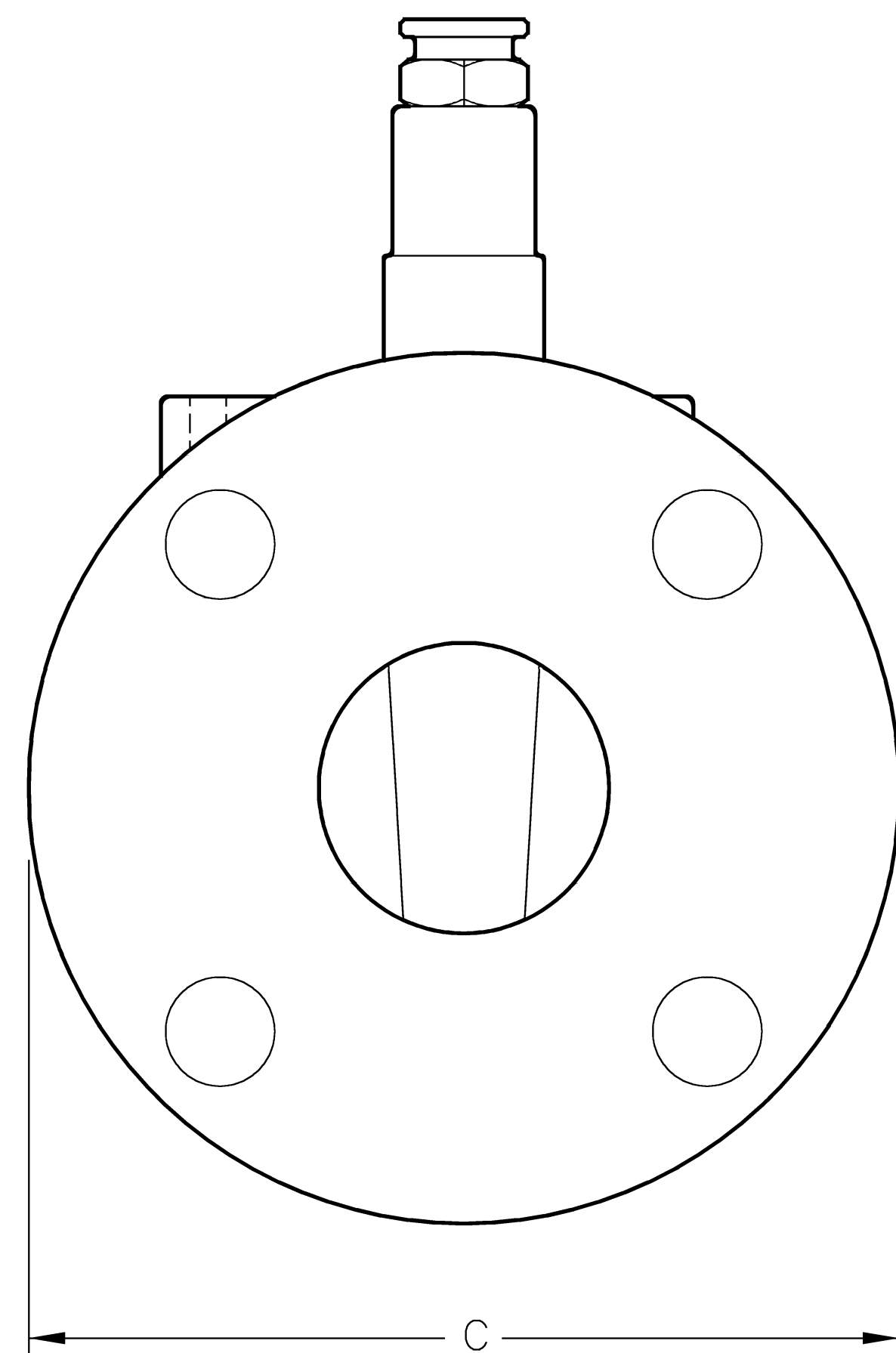
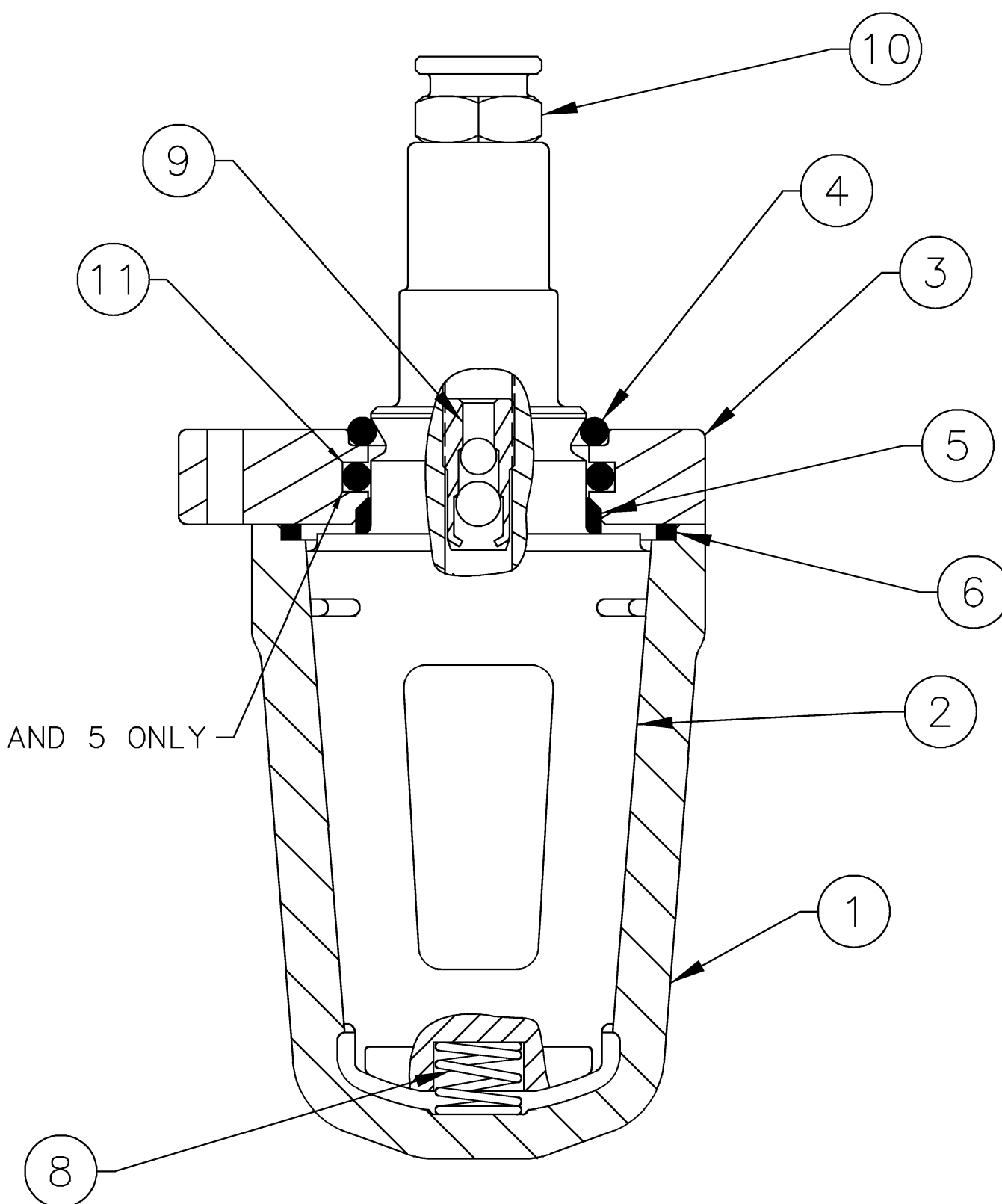


SIZE 3, 4 AND 5 ONLY



DIMENSIONS-ENGLISH UNITS FOR 200 CWP

NOMINAL VALVE SIZE	1	1 1/4	1 1/2	2	2 1/2	3	4	5
A END TO END	5.50	6.50	6.50	7.00	7.50	8.00	9.00	10.00
C DIAMETER OF FLANGES	4.25	4.62	5.00	6.00	7.00	7.50	9.00	10.00
D BOLT CIRCLE	2.62	3.38	3.38	3.38	3.38	4.18	4.88	4.88
E CENTER TO TOP OF STEM	3.84	4.14	4.14	4.74	4.74	5.58	6.30	6.30
F CENTER TO BOTTOM	1.93	2.13	2.13	2.38	2.38	3.40	4.04	4.04
G CLEARANCE TO REMOVE FITTING	5.50	5.80	5.80	6.40	6.40	7.24	7.96	7.96
J WIDTH OF FLAT	.81	1.00	1.00	1.00	1.00	1.25	1.25	1.25
K DIAMETER OF SHANK	1.06	1.38	1.38	1.38	1.38	1.75	1.75	1.75
L HEIGHT OF FLAT	.86	1.03	1.03	1.03	1.03	1.30	1.30	1.30
SIZE SEALANT STICK	B	B	B	B	B	B	B	B
SEALANT FITTING (NPS THREAD)	1/4-18	1/4-18	1/4-18	1/4-18	1/4-18	1/4-18	1/4-18	1/4-18
SIZE OF WRENCH	SN-1	SN-2	SN-2	SN-2	SN-2	L-9	SN-4	SN-4
LENGTH OF WRENCH	7.0	10.5	10.5	10.5	10.5	25.0	15.0	25.0
WEIGHT, LBS, FIG NO 143	8.5	14	14	19.5	25	37.5	65	80

DIMENSIONS-METRIC UNITS FOR 13.8 BAR. CWP

NOMINAL VALVE SIZE (DN)	25	32	40	50	65	80	100	125
A END TO END	140	165	165	178	191	203	229	254
C DIAMETER OF FLANGES	108	117	127	152	178	190	229	254
D BOLT CIRCLE	67	86	86	86	86	106	124	124
E CENTER TO TOP OF STEM	98	105	105	120	120	142	160	160
F CENTER TO BOTTOM	49	54	54	60	60	86	103	103
G CLEARANCE TO REMOVE FITTING	140	147	147	163	163	184	202	202
J WIDTH OF FLAT	21	25	25	25	25	32	32	32
K DIAMETER OF SHANK	27	35	35	35	35	44	44	44
L HEIGHT OF FLAT	22	26	26	26	26	33	33	33
SIZE SEALANT STICK	B	B	B	B	B	B	B	B
SEALANT FITTING (NPS THREAD)	1/4-18	1/4-18	1/4-18	1/4-18	1/4-18	1/4-18	1/4-18	1/4-18
SIZE OF WRENCH	SN-1	SN-2	SN-2	SN-2	SN-2	L-9	SN-4	SN-4
LENGTH OF WRENCH	178	267	267	267	267	635	381	381
WEIGHT, KGS, FIG NO 143	3.9	6.4	6.4	8.8	11.3	17.0	29.5	36.3

MAXIMUM NON SHOCK SERVICE PRESSURE RATING

SERVICE TEMP (DEG F)	ENGLISH UNITS		METRIC UNITS	
	-20 TO 150	200	SERVICE TEMP (DEG C)	-29 TO 65
PSIG	200	170	BAR.	13.8
				13.3

- NOTES:
- DIMENSIONS SHOWN ARE NOMINAL, PROVIDED FOR GENERAL INFORMATION AND AS SUCH ARE SHOWN WITHOUT TOLERANCE.
 - DIMENSIONS SUBJECT TO CHANGE WITHOUT NOTICE.
 - DIMENSIONS IN INCHES AND MILLIMETERS.
 - FLANGED END VALVES CONFORM TO MSS SP-78.

* EXTENDED WRENCH (SN-3) IS AVAILABLE FOR LOW TEMPERATURE SERVICE FOR SIZE 4 AND 5 ONLY.

SH	60360	F
1/23/07		
DEH	50137	E
1/7/94		
DEH	49207	D
2/16/93		
BY/DATE CHANGE NOTICE NO		REV

LIST OF PARTS

REF	NAME	REQ	MATERIAL
1	BODY	1	A126 GRB IRON
2	PLUG	1	A126 GRB IRON - PTFE COATED
3	COVER	1	A536 60-40-18
4	WEATHERSEAL	1	NEOPRENE
5	STEM SEAL	1	TFE
6	COVER SEAL	1	BUNA-N
7	CAPSCREW	2	A449 GR5
8	SPRING	1	STAINLESS STEEL
9	DBL BALL CHECK VLV	1	MILD STEEL
10	SEALANT FITTING	1	MILD STEEL
11	SECONDARY STEM SEAL	1	BUNA-N (SIZE 3, 4 AND 5 ONLY)

FLOWERVE Nordstrom Valves

SULPHUR SPRINGS, TEXAS

NORDSTROM FIGURE 143
SUPER NORDSTROM® VALVES

SUPERSEDES: D-2752631 8-13-86 REF DWG:
DRWN: DH CHKD: APPD: SCALE: NONE DATE: 2/16/93

B-2752631

B-2752631