



Royal[®] Accessory

WB-1-A

Product description

Easy Access Wall Box.

Code 0334030

Downloads

[↻](#) Additional Downloads

Videos

[▶](#) Sloan - Company Overview

Features

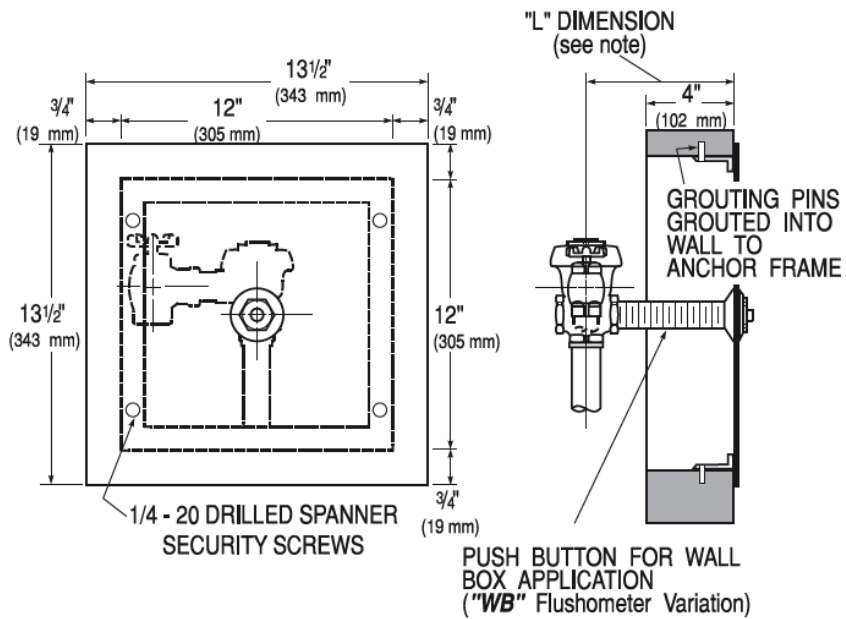
- The Sloan WB-1-A Easy Access Wall Box allows for the installation of a Concealed Flushometer where behind the wall access is not provided.
- Ideal for vandal prone installations, the WB-1-A Easy Access Wall Box is engineered to withstand years of high volume use.
- The WB-1-A Easy Access Wall Box has a brushed Stainless Steel Wall Panel that enhances the appearance of the Flushometer installation.
- The WB-1-A Easy Access Wall Box is designed to install in a 12" x 12" wall opening.
- The WB-1-A Wall Box can be used with both mechanical push button or hydraulically operated Sloan Flushometer valves.
- The Wall Box Assembly has the following features:
 - 13½" (343 mm) x 13½" (343 mm) #304 Brushed Stainless Steel Wall Panel (16 gauge)
 - Steel Frame for a 12" (305 mm) x 12" (305 mm) wall opening
 - Four (4) Spanner Security Screws with Spanner Bit
 - Grouting Pins to anchor Frame to wall
- The WB-1-A Easy Access Wall Box can be used with Sloan Royal®, Regal®, Naval® and Hydraulic Concealed Flushometers.

Warranty

[View Warranty Information](#)

Notes

All information contained within this document subject to change without notice.



NOTE: "L" Dimension is the Wall Thickness (to the nearest whole inch) plus 2 3/4". Specify "L" Dimension when ordering Flushometer.