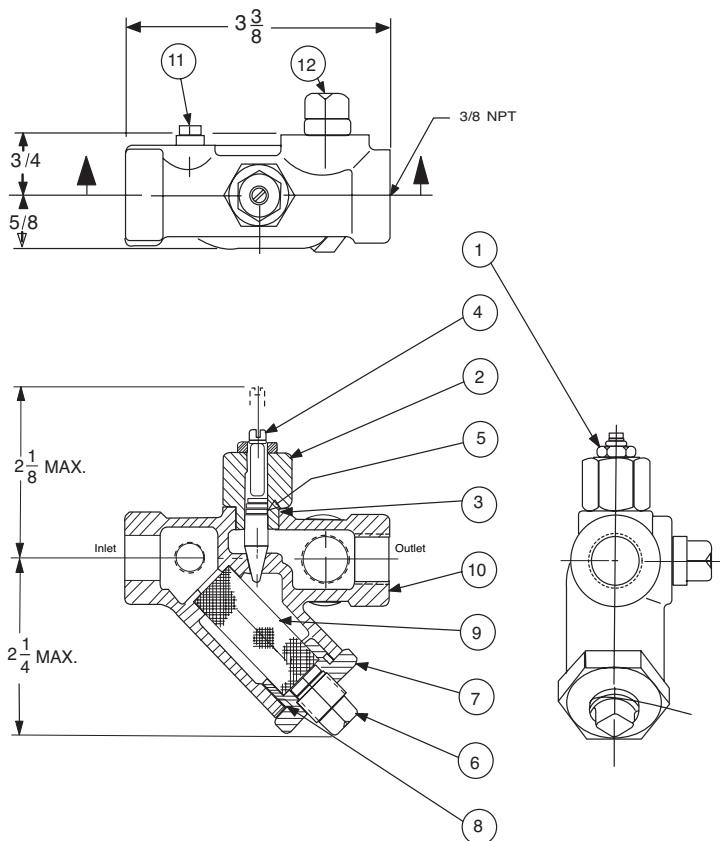




X42N-2

Strainer and Needle Valve Assembly



When ordering parts,
please specify:

- All nameplate data
- Item Number
- Description

Size	Stock Number
3/8" x 3/8"	68372C

ITEM	DESCRIPTION	MATERIAL	PART NO.
1	Jam Nut - Hex	Sil Brz	6779806G
2	Bonnet	S.S.	67910A
3	O-Ring - Bonnet	Syn Rub	00713J
4	Stem	S.S.	67907G
5	O-Ring - Stem	Syn Rub	00708J
6	Plug - Pipe 1/4"	Bre.	6784702A
7	Strainer Plug	303	67911J
8	O-Ring - Plug	NBR	00751J
9	Screen	Monel	68373A
10	Body	Rd Brs	67905A
11	Plut - Pipe 1/8	Brass	6784701C
12	Plug - Pipe 3/8	Brass	67660-03F