

WATERWORKS GASKETS

“GASKETS AVAILABLE IN MOST TYPES OF POLYMERS”
NITRILE - NEOPRENE - EPDM - VITON (FLUROELASTOMER)

J M RT TYPE CL-150/200.....	3” to 24”
JM RT TYPE CL-100.....	10” to 20”
IPS B-RING.....	6” to 12”
RT-PVC.....	3” to 8”
RT-DI.....	4” to 12”
PUSH-ON DUCTILE IRON PIPE C-900.....	4”to 24”
PUSH-ON IPS - TRANSITION.....	4”to 12”
MECHANICAL JOINT C-900.....	3” to 24”
MECHANICAL JOINT TRANSITION IRON PIPE (IPS PVC).....	3” to 12”
MECHANICAL JOINT TRANSITION PVC SEWER (SDR 35)	4” to 12”
MANHOLE STOP RINGS.....	4” to 36”
(Utilized with PVC pipe inserted in manhole and secured with cement)	
Larger sizes available	
PIP & IPS (Dresser, Romac & others)	
PIP.....	6” to 20.4”
IPS.....	2” to 12”
“C” SHAPED (Victaulic Type).....	2” to 12”
RUBBER RING PACKING (Hydro Type).....	4” to 12”
FIRE HYDRANT GASKETS (72 Sizes)	
CAP GASKETS	
WASHER GASKETS	
NOZZLE GASKETS	
METER GASKETS	



Dear Customer,

Please allow me to take this opportunity to introduce myself. My name is Robert Leiterman and I am the sales manager for Newby Rubber, Inc. Founded in 1958, we are a rubber manufacturing facility which produces a wide array of rubber products for industries such as agriculture, food processing, waterworks, pump, oilfield and the military, to name a few.

Situated on four acres, our manufacturing plant has recently expanded to an 80,000 square foot facility within 5 buildings.

Compression and transfer molding is done in one of our 33 steam and electric presses, ranging in platen-size from 6" x 6" to 48" x 48" capable of closing pressures up to 450 tons. The unique automation of our 17 injection molding presses allows us to offer extremely competitive pricing on relatively small orders.

Our engineering department can design your tooling and have it machined in our on-site tool and die shop, enabling us to keep cost low and minimize lead time from design to production.

As we place quality as our top priority, our experienced technicians utilize our state-of-the-art lab in order to monitor every aspect of production. This ensures that our customers receive products that adhere to the most stringent quality guidelines.

Your association with Newby Rubber, Inc. allows you to benefit from our many years of experience as well as the expertise of a knowledgeable staff. We strive to combine the prompt and personal service of a small family business with the efficiency and competitive pricing of a large corporation.

We look forward to hearing from you and being able to be of service.

Sincerely,

Robert Leiterman
Sales Manager

320 Industrial Street, Bakersfield, CA 93307-2706
661\327-5137 • Fax - 661\327-8058
website: www.newbyrubber.com • e-mail: sales@newbyrubber.com

The logo for Newby Rubber Inc. features the word "NEWBY" in a large, bold, italicized sans-serif font.



WATER WORKS GASKETS

This is our new Water Works Catalog. All prices are each, F.O.B. Bakersfield, CA. Our terms are net 30 days. We are continually adding to our product line so please check with us on any item not shown that you may require.

Newby Rubber, Inc. has been manufacturing since 1958. We are proud of our past record, and will continue to provide our customers with the service and quality they expect and deserve. Please feel free to contact us on any requirement you might have.

Our CL-150 gaskets, Transition gaskets and Mechanical joint gaskets are manufactured to meet ASTM-D-1869-66 Specifications for Rubber Rings for Asbestos Cement Pipe, ASTM C564-68 Specifications for Rubber Rings for Cast Iron Soil Pipe, AWWA Standard C111/A21.11 and ASTM F477-76 Elastomeric Seals for Joining Plastic Pipe. ASTM C-923 Table 1, Manhole Stop Rings.

SPECIAL ELASTOMERS:

NITRILE (BUNA-N)
NEOPRENE
VITON (FLUOROELASTOMER)
EPDM

RESISTANT TO MOST

OIL
LIGHT OIL RESISTANCE
OIL & TEMPERATURE TO 350° F,
GASOLINE OZONE, HOT WATER
& STEAM TO 500° F

STORAGE: Recommended storage would be in a plastic bag and or a cardboard box, in a cool dry area. Do not store close to electric motors.

STORAGE LIFE: NITRILE - Several years.
NEOPRENE - Indefinite - Long Life.
VITON (fluorelastomer) - Several years.
EPDM - Indefinite - Long Life.



WARRANTY

Seller warrants its product to be free from defects in material and workmanship under normal use and service. This warranty shall not apply to defects resulting from misuse, abuse or accidents. The limit of seller's liability for failure of any of its products to meet the foregoing warranty or for breach of any other warranty, express or implied, shall be to supply an equivalent amount of products for any materials returned to seller within three (3) months of shipment and found to be defective by seller. Due to the widely varying conditions under which seller's products are used or installed, seller offers no warranty, express or implied, as to their length of service, life or suitability for any particular purpose. In no event shall seller be liable for incidental or consequential damages. No person is authorized to bind seller for any further warranty or obligation beyond that stated in this paragraph.

RETURNING MERCHANDISE

NO RETURNS will be accepted without first obtaining a "Return Authorization" number.

NO CREDIT will be allowed on damaged goods.

There will be a 10% restocking charge on all items



TABLE OF CONTENTS

Item	Page Number
JM RING TYPE CL-100	1
RING-TITE TYPE CL-150/200	2
RT-PVC DUAL HARDNESS	3
RT-DI TO CAST IRON (C-900) PIPE	4-5
PUSH-ON TO C-900 PIPE	6
PUSH-ON TO IPS PIPE	7
MECHANICAL JOINT GASKETS TO C-900 PIPE	8
MECHANICAL JOINT TRANSITION GASKETS TO IPS	9
MECHANICAL JOINT TRANSITION GASKET TO SDR-35	10
MANHOLE STOP RINGS	11
PIP & IPS GASKETS	12
“C” TYPE GASKETS	13
RUBBER RING PACKING	14
FIRE HYDRANT GASKETS	15-31



TABLE OF CONTENTS

Item	Page Number
METER GASKETS	40-41
WASHER I.D.—O.D.	42
CAP GASKET	43
NOZZLE GASKET	44-45

Est. 1958

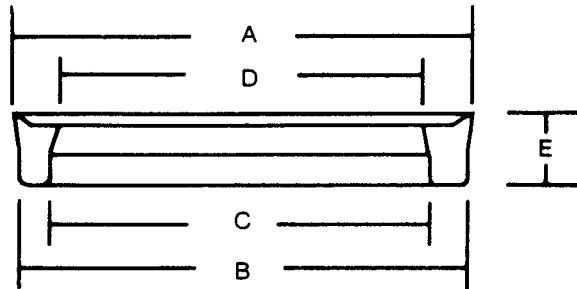


JM RT TYPE CL-100

RING-TITE TYPE FITTING TO AC PIPE

SIZE	PART NO.
10" CL-100	10064940
12" CL-100	10064945
14" CL-100	10064950
16" CL-100	10064955
18" CL-100	10064960
20" CL-100	10064962
24" CL-100	10064965

DIMENSIONS



SIZE	A	B	C	D	E
10"	12.130	12.060	11.260	11.072	.800
12"	14.370	14.300	13.500	13.312	.800
14"	16.134	10.050	15.090	14.884	.850
16"	18.224	18.140	17.180	16.954	.850
18"	20.994	20.910	19.950	19.744	.850
20"	23.320	23.140	22.180	21.982	.850
24"	27.594	27.520	26.560	26.362	.850

Est. 1958

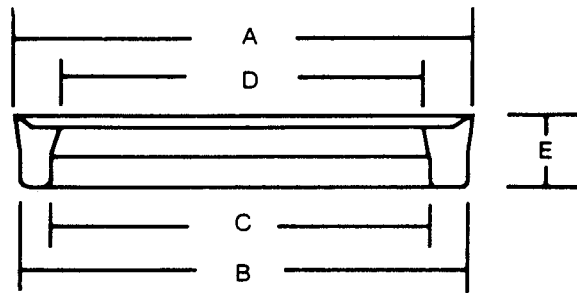


JM RT TYPE CL-150/200

RING-TITE TYPE FITTING TO AC PIPE

SIZE	PART NO.	PCS/BOX
3" CL-150/200	100650	200
4" CL-150/200	100675	200
6" CL-150/200	100700	200
8" CL-150/200	100725	150
10" CL-150/200	100750	100
12" CL-150/200	100775	100
14" CL-150/200	100800	50
16" CL-150/200	100825	50
18" CL-150	100830	25
20" CL-150	100835	25
24" CL-150	100837	

DIMENSIONS



SIZE	A	B	C	D	E
3"	4.665	4.575	3.785	3.689	.790
4"	5.630	5.540	4.750	4.604	.790
6"	7.765	7.675	6.885	6.739	.790
8"	9.990	9.900	9.111	8.965	.790
10"	12.590	12.500	11.711	11.562	.790
12"	14.790	14.651	13.911	13.762	.790
14"	17.284	17.200	16.240	16.014	.850
16"	19.534	19.450	18.490	18.264	.850
18"	22.169	21.950	20.990	20.801	.850
20"	24.394	24.310	23.350	23.124	.850

Special material quoted on request.

Est. 1958



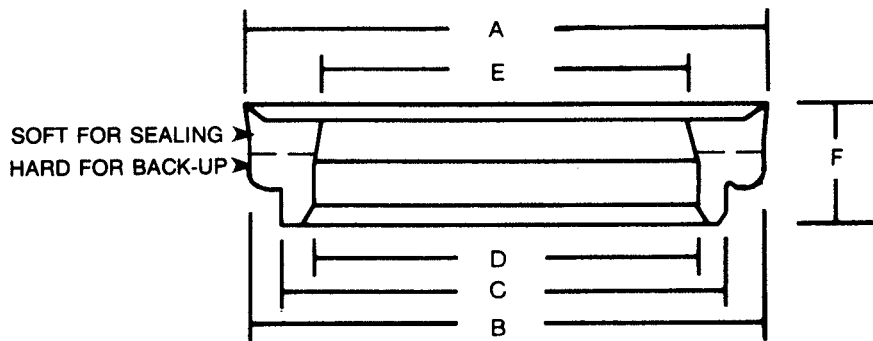
RT-PVC GASKETS

DUAL HARDNESS

RING-TITE TYPE FITTING TO PVC (Iron Pipe Size) TYPE PIPE

SIZE	PART NO.	PCS/BOX
3" RT-PVC	104200	150
4" RT-PVC	104225	100
6" RT-PVC	104250	75
8" RT-PVC	104275	50

DIMENSIONS



SIZE	A	B	C	D	E	F
3"	4.665	4.575	4.085	3.545	3.385	1.260
4"	5.630	5.540	5.050	4.510	4.350	1.260
6"	7.745	7.655	7.165	6.625	6.465	1.260
8"	10.040	9.950	9.500	8.720	8.560	1.260

Special material quoted on request.

Est. 1958



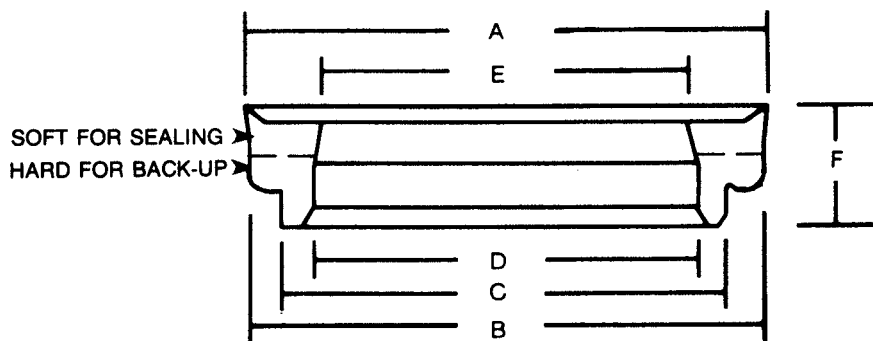
RT-DI GASKETS

DUAL HARDNESS

RING-TITE TYPE FITTING TO CAST IRON SIZE (C-900 Type) PIPE

SIZE	PART NO.	PCS/BOX
4" RT-DI C-900	104075	150
6" RT-DI C-900	104100	100
8" RT-DI C-900	104125	50
10" RT-DI C-900	104150	25
12" RT-DI C-900	104175	25

DIMENSIONS



SIZE	A	B	C	D	E	F
4"	5.630	5.540	5.050	4.800	4.640	1.260
6"	7.746	7.655	7.250	6.869	6.709	1.260
8"	10.040	9.950	9.500	9.050	8.890	1.260
10"	12.595	12.500	11.850	11.100	11.010	1.260
12"	14.856	14.761	14.110	13.200	13.110	1.260

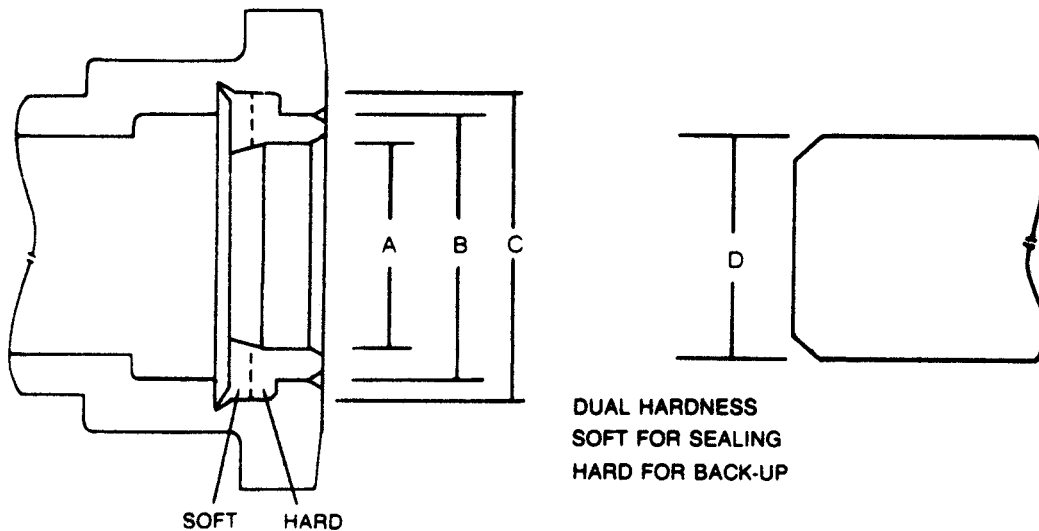
Special material quoted on request.

RT-DI GASKETS

DUAL HARDNESS

RING-TITE TYPE FITTING TO CAST IRON SIZE & C900 O.D. PIPE

DIMENSIONS



SIZE	A	B	C	D
4" RT-DI-C900	4.780	5.100	5.530	4.800
6" RT-DI-C900	6.780	7.200	7.630	6.900
8" RT-DI-C900	8.950	9.400	9.830	9.050
10" RT-DI-C900	11.040	11.950	12.380	11.100
12" RT-DI-C900	13.055	14.210	14.640	13.200

A-Gasket ID installed.

These RT-DI Gaskets are recommended for use with Cast Iron & C-900 pipe and are designed to hold 200# working pressure if all the dimensions are met. No guarantee is given nor should be implied as to the successful usage of these gaskets. We would particularly like to draw your attention to the "B" dimension of the fitting to be sure it is small enough to provide ample "back-up" for the gasket. These gaskets have been tested and have been used successfully in the field.

Est. 1958



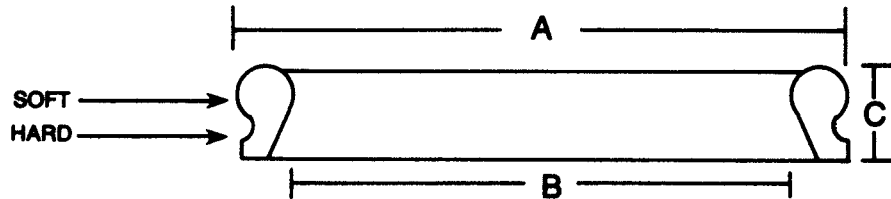
PUSH-ON GASKETS

DUAL HARDNESS

DUCTILE IRON PIPE - C900 TYPE

SIZE	PART NO.	PCS/BOX
4" PUSH-ON	107010	125
6" PUSH-ON	107015	75
8" PUSH-ON	107020	50
10" PUSH-ON	107025	25
12" PUSH-ON	107030	25

DIMENSIONS



SIZE	A	B	C
4"	5.740	4.540	1.000
6"	7.860	6.600	1.000
8"	10.150	8.730	1.210
10"	12.250	10.830	1.300
12"	14.340	12.920	1.300

Special material quoted on request.

Est. 1958



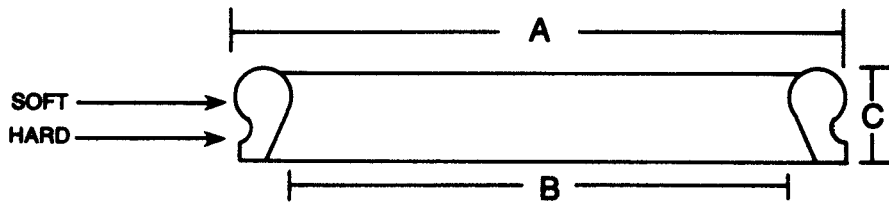
PUSH-ON GASKETS - IPS

DUAL HARDNESS

IRON PIPE - IPS TYPE TRANSITION

SIZE	PART NO.	PCS/BOX
4" PUSH-ON - IPS	107065	125
6" PUSH-ON - IPS	107070	50
8" PUSH-ON - IPS	107075	25
10" PUSH-ON - IPS	107080	25
12" PUSH-ON - IPS	107085	20

DIMENSIONS



SIZE	A	B	C
4"	5.740	4.180	1.000
6"	7.860	6.310	1.000
8"	10.150	8.320	1.290
10"	12.100	10.300	1.360
12"	14.310	12.700	1.450

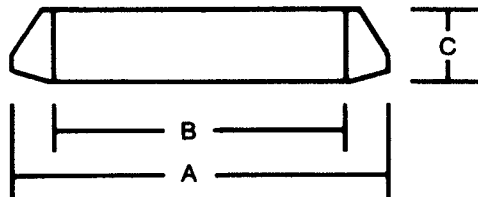
Special material quoted on request.

MECHANICAL JOINT GASKETS

MECHANICAL JOINT FITTING TO CAST IRON SIZE (C-900) PIPE.

SIZE	PART NO.	PCS/BOX
3" MJ	102924	—
4" MJ	102925	125
6" MJ	102950	75
8" MJ	102975	50
10" MJ	103000	25
12" MJ	103025	25
14" MJ	103030	25
16" MJ	103035	25
24" MJ	103045	—

DIMENSIONS



SIZE	A	B	C
3"	4.820	3.860	1.050
4"	5.950	4.680	1.200
6"	7.970	6.700	1.215
8"	10.140	8.875	1.215
10"	12.070	10.840	1.200
12"	14.190	12.930	1.200
14"	16.230	14.990	1.200
16"	18.310	17.070	1.200
24"	26.580	25.340	1.200

Special material quoted on request.

Est. 1958

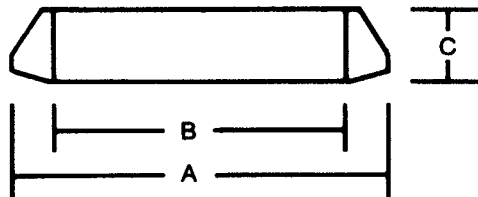


MECHANICAL JOINT TRANSITION GASKETS

MECHANICAL JOINT FITTING TO IRON PIPE SIZE (IPS, PVC) PIPE.

SIZE	PART NO.	PCS/BOX
3" MJ TRANS.	103050	175
4" MJ TRANS.	103075	100
6" MJ TRANS.	103100	75
8" MJ TRANS.	103125	50
10" MJ TRANS.	103150	25
12" MJ TRANS.	103175	25

DIMENSIONS



SIZE	A	B	C
3"	4.820	3.440	1.035
4"	5.950	4.380	1.237
6"	8.020	6.480	1.238
8"	10.140	8.480	1.250
10"	12.120	10.520	1.250
12"	14.200	12.500	1.250

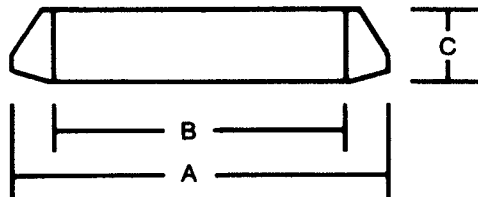
Special material quoted on request.

MECHANICAL JOINT TRANSITION GASKETS

MECHANICAL JOINT FITTING TO PVC SEWER SIZE (SDR-35) PIPE

SIZE	PART NO.	PCS/BOX
4" MJ TRANS.	103184	75
6" MJ TRANS.	103186	50
8" MJ TRANS.	103188	25
10" MJ TRANS.	103190	25
12" MJ TRANS.	103192	25

DIMENSIONS



SIZE	A	B	C
4"	5.950	4.215	1.237
6"	8.020	6.275	1.238
8"	10.140	8.400	1.250
10"	12.120	10.500	1.250
12"	14.200	12.500	1.250

Special material quoted on request.

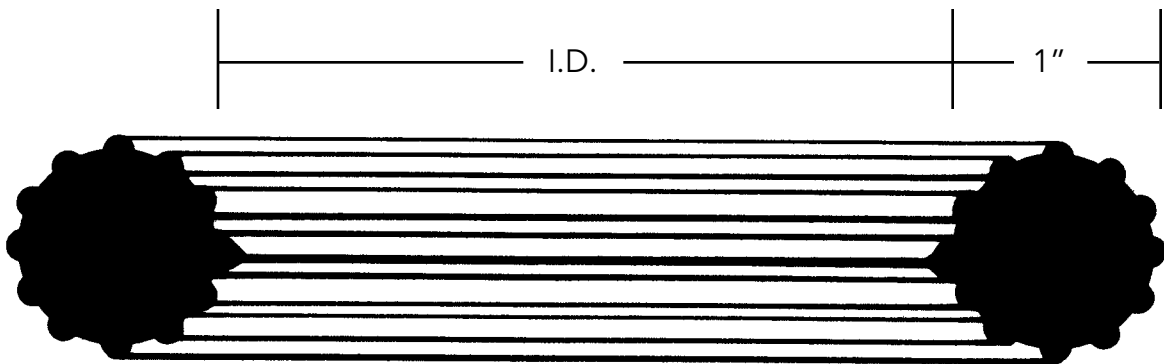
Est. 1958



MANHOLE STOP RINGS

**TO BE USED WITH PVC THAT GOES INTO A MANHOLE
AND IS CEMENTED IN PLACE.
OUR MANHOLE STOP RINGS ARE MOLDED, NOT EXTRUDED.**

ILLUSTRATION



SIZE & TYPE	PART NO.	PCS/BOX	I.D.
4" MANHOLE STOP RING	102675	125	4
6" MANHOLE STOP RING	102700	75	5-7/8
8" MANHOLE STOP RING	102725	50	8-3/4
10" MANHOLE STOP RING	102750	25	10-1/4
12" MANHOLE STOP RING	102775	25	12-1/4
14" MANHOLE STOP RING		—	13-3/8
15" MANHOLE STOP RING	102800	25	13-3/8
18" MANHOLE STOP RING	102830	25	16-3/4
20" MANHOLE STOP RING	102832	Spliced	20-5/8
21" MANHOLE STOP RING	102833	25	21
24" MANHOLE STOP RING	102836	20	23-3/4
27" MANHOLE STOP RING	102840	Spliced	26-1/2
30" MANHOLE STOP RING	102844	Spliced	30
36" MANHOLE STOP RING	102846	Spliced	38

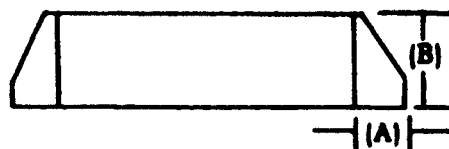
Other sizes quoted on request.

Est. 1958

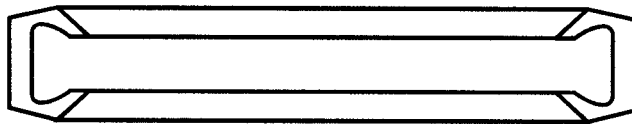


PIP & IPS GASKETS (Dresser Type, Romac & Others)

ITEM	PIPE OD	CROSS SECTION		PART NO.
		A	B	
2" IPS	2.380"	1/2"	x 29/32"	102407
2-1/2" IPS	2.880"	1/2"	x 29/32"	102408
3" IPS	2.500"	1/2"	x 29/32"	102409
4" IPS	4.500"	7/16"	x 29/32"	102410
4-1/2" IPS	5.000"	.475"	x .900"	102411
5" IPS	5.500"	3/8"	x 3/4"	102412
6" IPS	6.625"	1/2"	x 1"	102414
6" IPS	6.625"	3/8"	x 1"	102416
8" IPS	8.625"	1/2"	x 1"	102418
8" IPS	8.625"	3/8"	x 1"	102420
10" IPS	10.750"	1/2"	x 1"	102422
12" IPS	12.750"	1/2"	x 1"	102424
6" PIP	6.140"	3/8"	x 7/8"	103650
6" PIP	6.140"	1/2"	x 1"	103651
8" PIP	8.160"	3/8"	x 7/8"	103652
8" PIP	8.160"	1/2"	x 7/8"	103653
10" PIP	10.200"	1/2"	x 1"	103654
12" PIP	12.240"	1/2"	x 1"	103656
15.3" PIP	15.300"	1/2"	x 1"	103658
18.36" PIP	18.360"	1/2"	x 1"	103660
20.4" PIP	20.400"	1/2"	x 1"	103662



"C" SHAPED TYPE
(Fits #77, 78, 75 Couplings)
EPDM*



SIZE	PART NO.	PCS/BOX
2"	105925	500
2 1/2"	105928	300
3"	106000	300
4"	106025	150
5"	106026	150
6"	106050	125
8"	106075	50
10"	106077	50
12"	106079	50

*Special material quoted on request.

Est. 1958

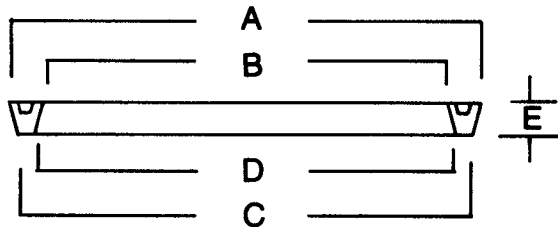


RUBBER RING PACKING

HYDRO TYPE

SIZE	PART NO.
4"	104292
6"	104294
8"	104296
12"	104298

DIMENSIONS

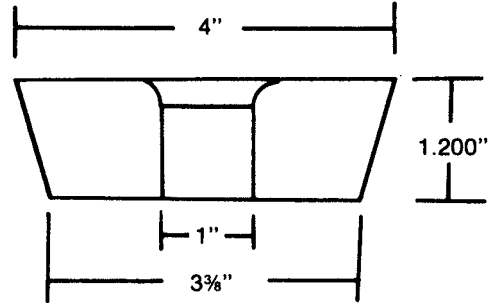


SIZE	A	B	C	D	E
4"	5.600	4.210	5.000	4.750	1.100
6"	7.660	6.320	7.125	6.875	1.100
8"	9.880	8.380	9.228	9.032	1.100
12"	13.600	12.300	13.120	12.880	1.100

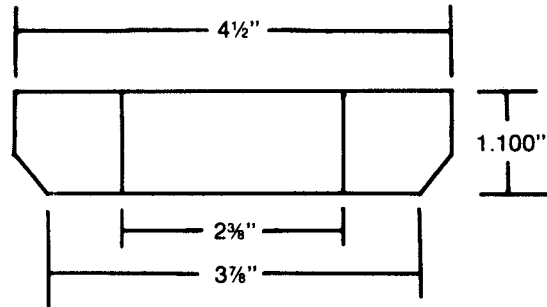
FIRE HYDRANT GASKETS

ITEM PART NO.

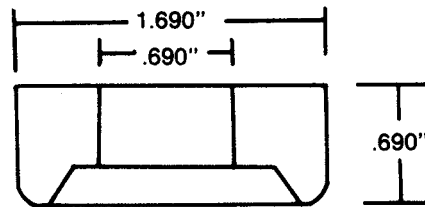
FHG-1 101301
GREENBERG #74 TYPE



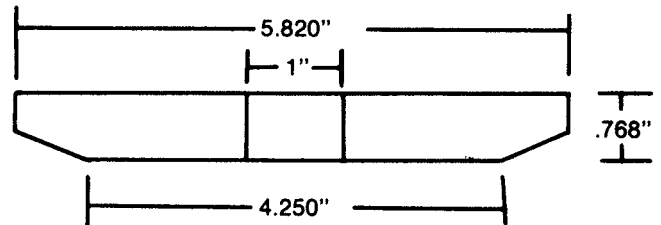
FHG-2 101302
4" COREY TYPE



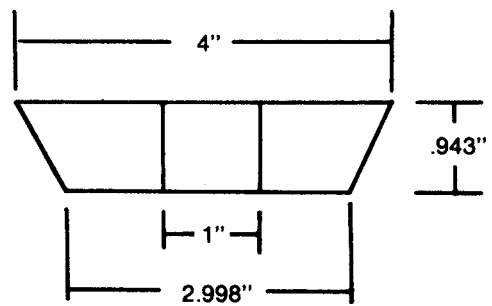
FHG-3 101303
COREY RUBBER TYPE



FHG-4 101304
DELMONTE 86 TYPE

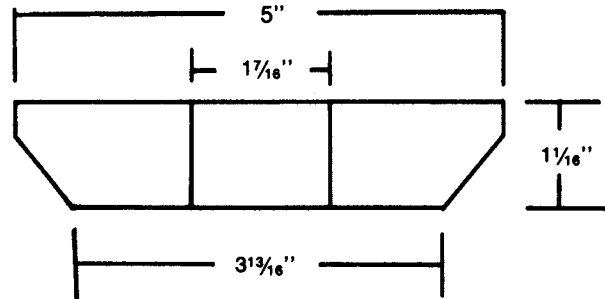


FHG-5 101305
GREENBERG #175 TYPE

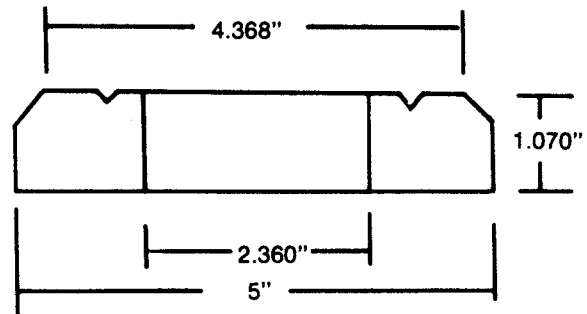


FIRE HYDRANT GASKETS

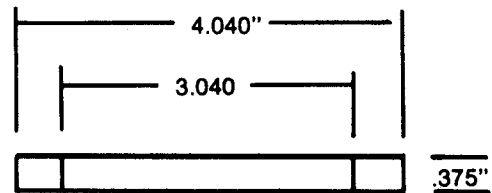
ITEM PART NO.
 FHG #6 101306



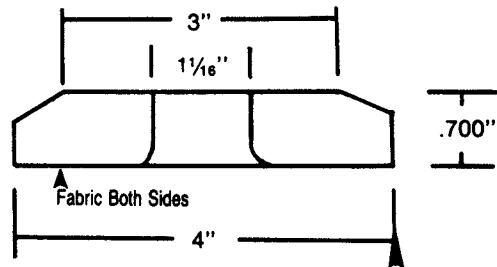
FHG #7 101307
 4-1/2" VO VALVE RUBBER TYPE



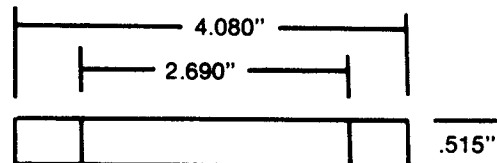
FHG #8 101308
 WHARF HYDRANT TYPE



FHG #9 101309 FBS
 101309 NoFabric



FHG #10 101310
 WHARF HYDRANT TYPE

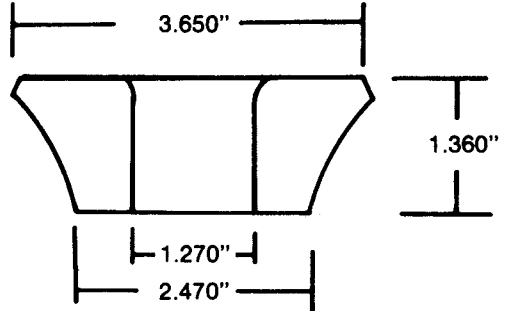


Est. 1958

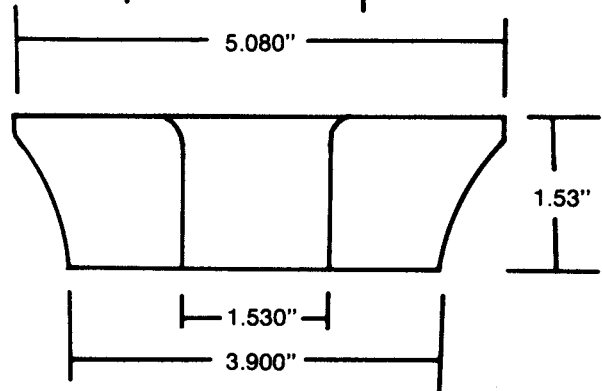


FIRE HYDRANT GASKETS

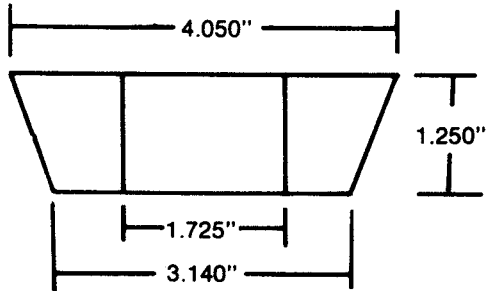
ITEM **PART NO.**
FHG #11 101311
2-1/2" BALLOTA TYPE
CLOW 850 TYPE



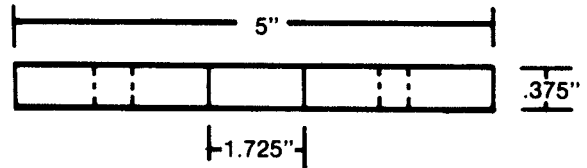
FHG #12 101312
4" BALLOTA TYPE



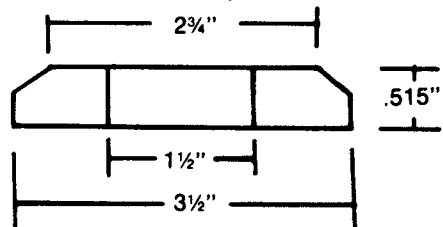
FHG #13 101313



FHG #14 101314
3-5/16" Diameter
bolt holes on 2.938 B.C.



FHG #15 101315

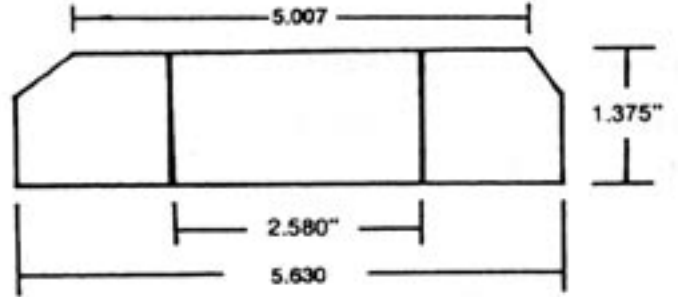


Est. 1958

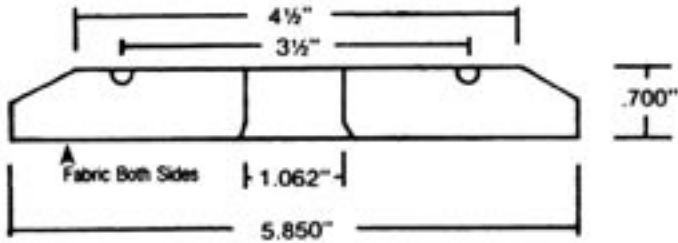


FIRE HYDRANT GASKETS

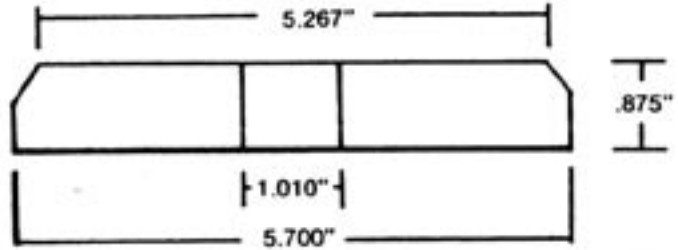
ITEM PART NO.
FHG #16 101316



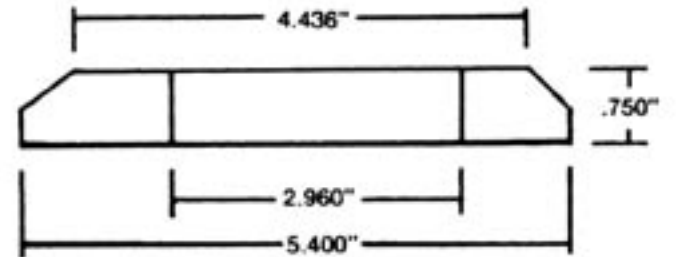
FHG #17 101317 No Fabric
 101317FBS
GREENBERG TYPE
LUDLOW 4-1/2" VO TYPE



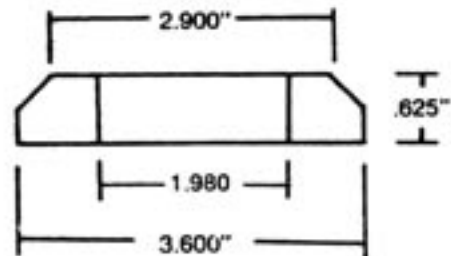
FHG #18 101318



FHG #19 101319



FHG #20 101320
CLOW TYPE



Est. 1958



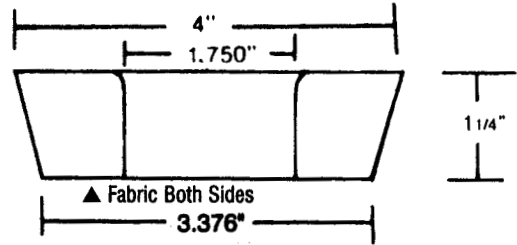
FIRE HYDRANT GASKETS

ITEM

PART NO.

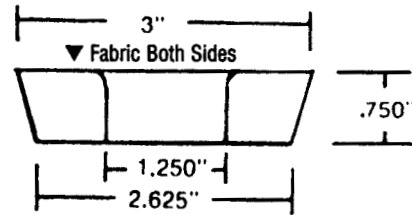
FHG #21

101321 FBS



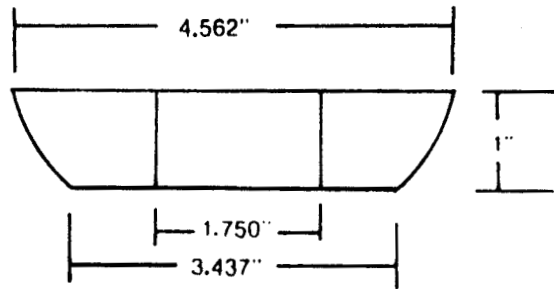
FHG #22

101322FBS



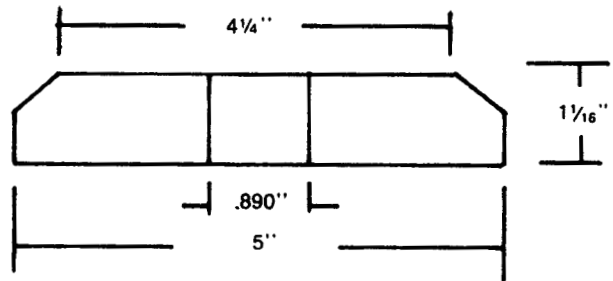
FHG #23

101323



FHG #24

101324



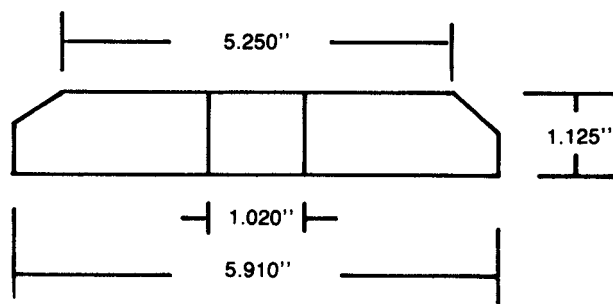
Est. 1958

NEWBY

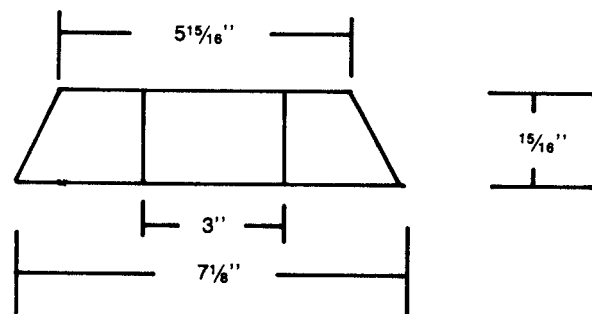
RUBBER INC

FIRE HYDRANT GASKETS

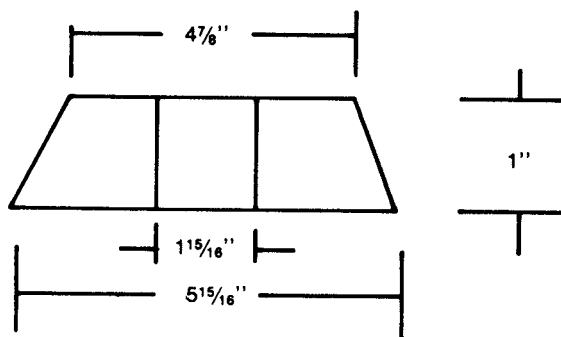
ITEM PART NO.
FHG #25 101325



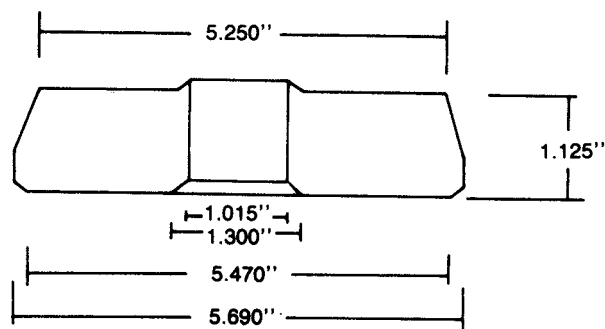
FHG #26 101326



FHG #27 101327



FHG #28 101328
AMERICAN DARLING TYPE

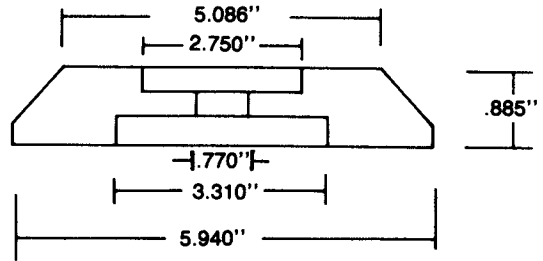


Est. 1958

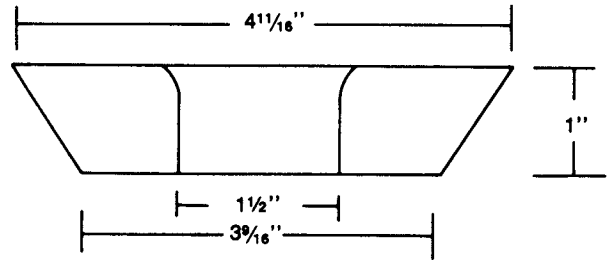


FIRE HYDRANT GASKETS

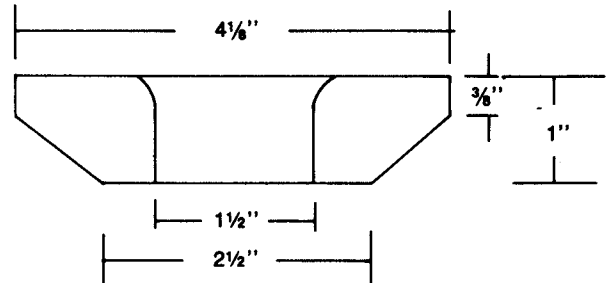
ITEM **PART NO.**
FHG #29 101329
AMERICAN DARLING TYPE
GENUINE IOWA



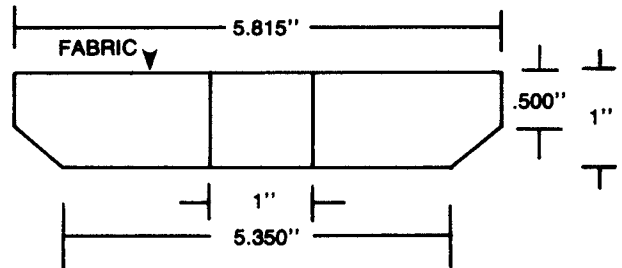
FHG #30 101330



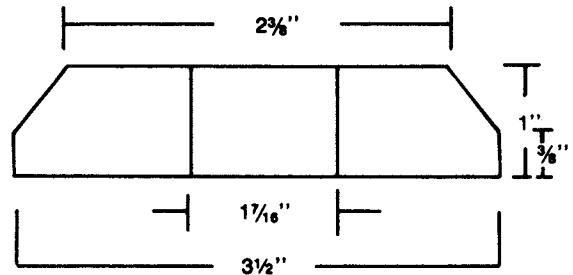
FHG #31 101331



FHG #32 101332
M & H-129 TYPE



FHG #33 101333

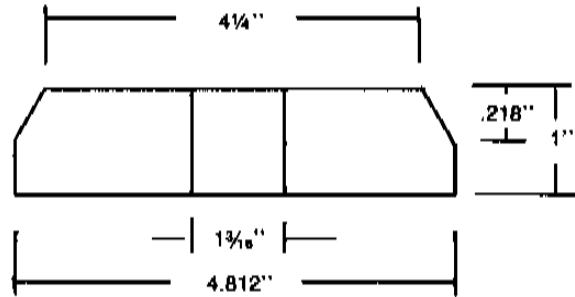


Est. 1958

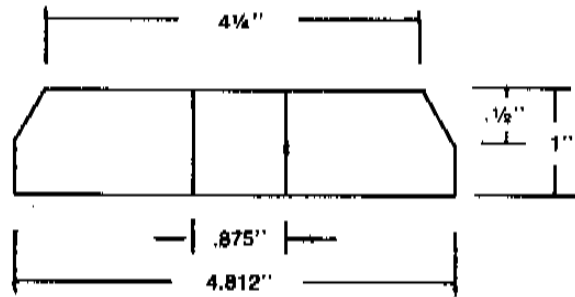
NEWBY

RUBBER INC

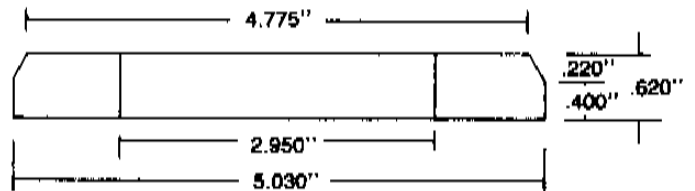
ITEM **PART NO.**
FHG #34 101334
(New Style)
CLOW PART #12-333
4- 1/4" VANGARD TYPE



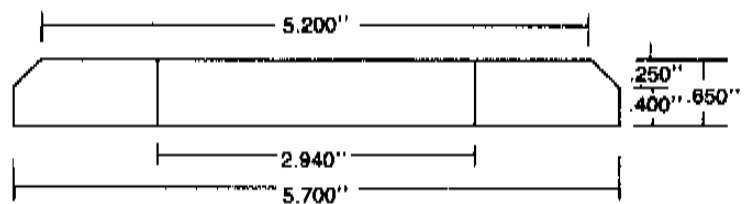
FHG #35 101335
(Old Style)
CLOW PART #12-330



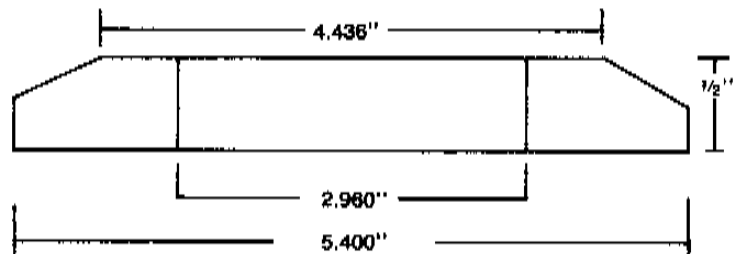
FHG #36 101336
WATEROUS TYPE WT77



FHG #37 101337
WATEROUS TYPE WB67



FHG #38 101338
RICH TYPE



Est. 1958

NEWBY

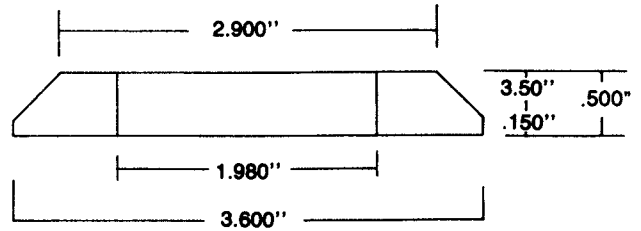
RUBBER INC

ITEM

PART NO.

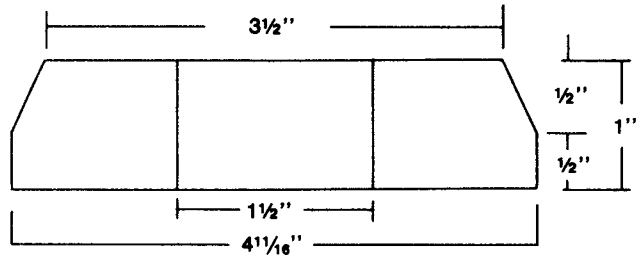
FHG #39

101339



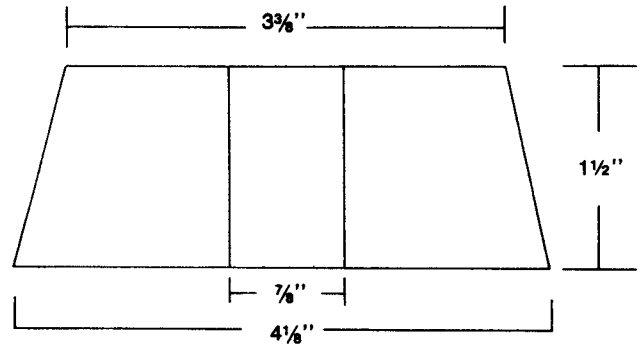
FHG #40

101340



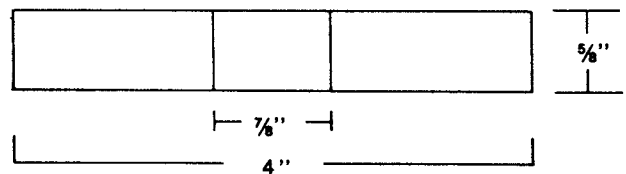
FHG #41

101341



FHG #42

101342



Est. 1958

NEWBY

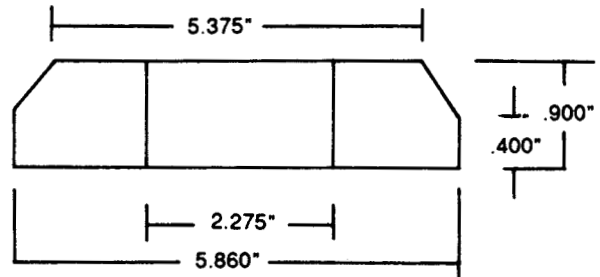
RUBBER INC

ITEM

PART NO.

FHG #43

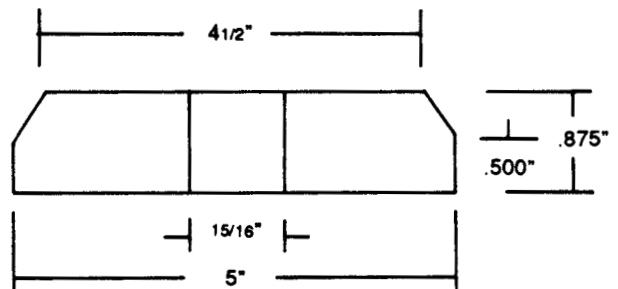
101343



FHG #44

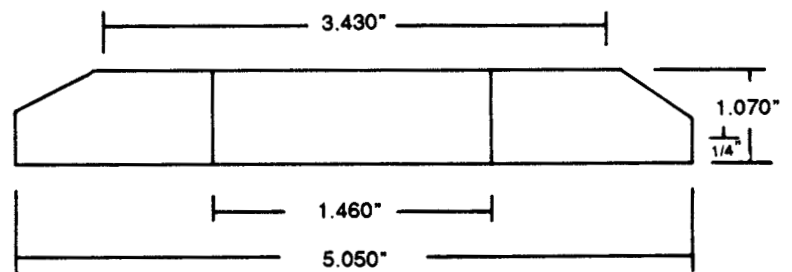
101344

4-1/2" KENNEDY TYPE



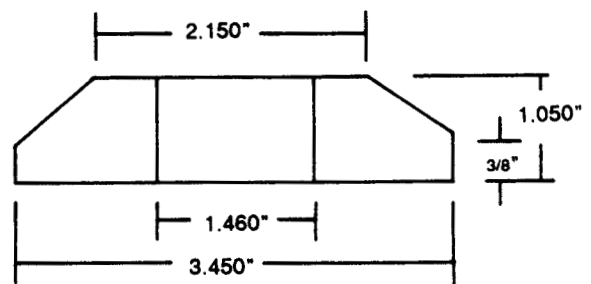
FHG #45

101345



FHG #46

101346



Est. 1958

NEWBY

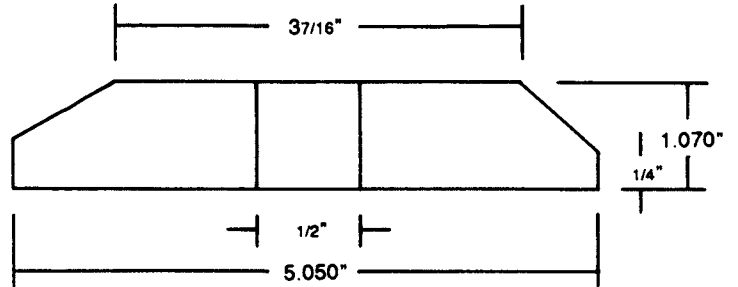
RUBBER INC

ITEM

PART NO.

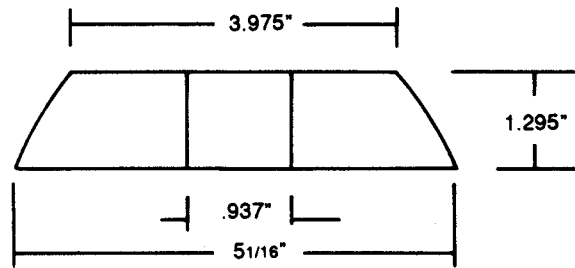
FHG #47

101347



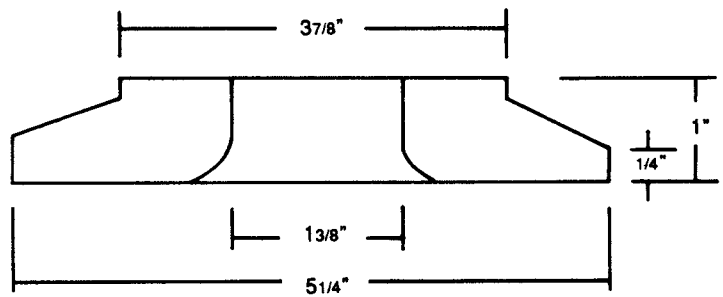
FHG #48

101348



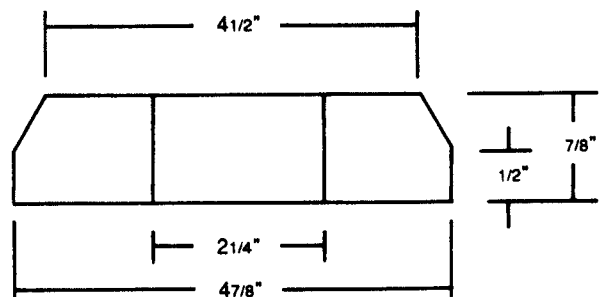
FHG #49

101349



FHG #50

101350



Est. 1958

NEWBY

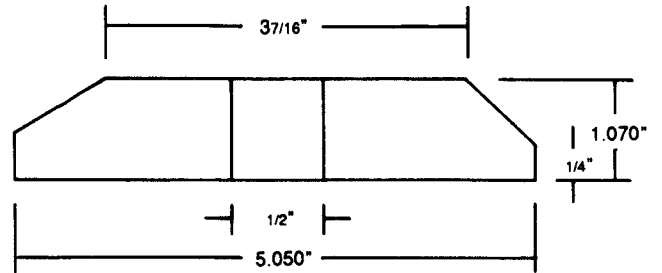
RUBBER INC

ITEM

PART NO.

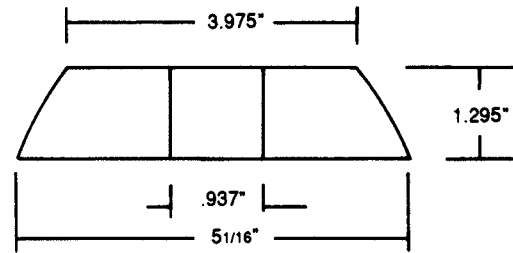
FHG #51

101351



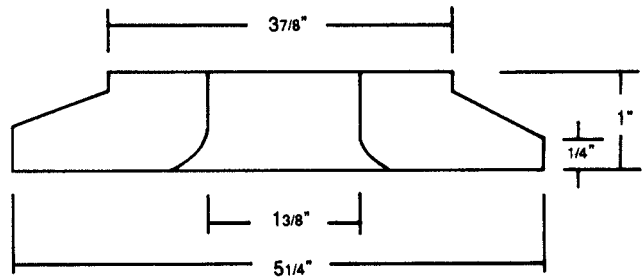
FHG #52

101352



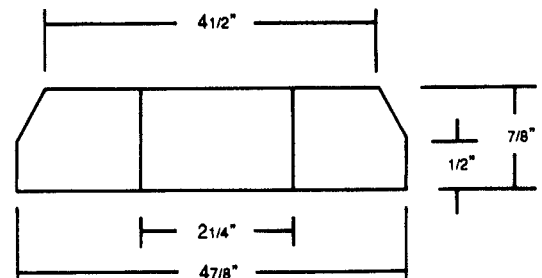
FHG #53

101353



FHG #54

101354



Est. 1958



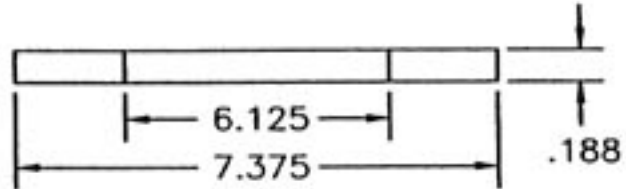
FIRE HYDRANT GASKETS

ITEM

PART NO.

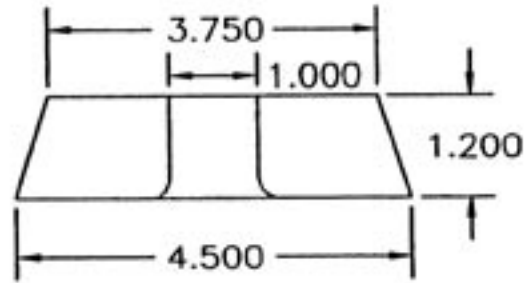
FHG #55

101355



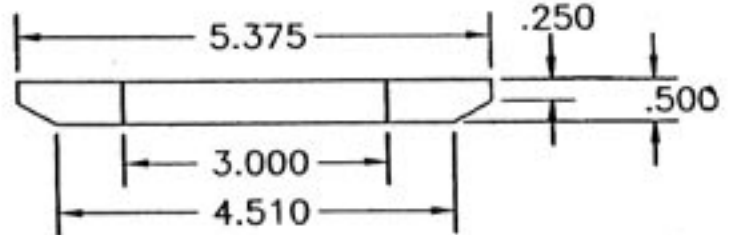
FHG #56

101356



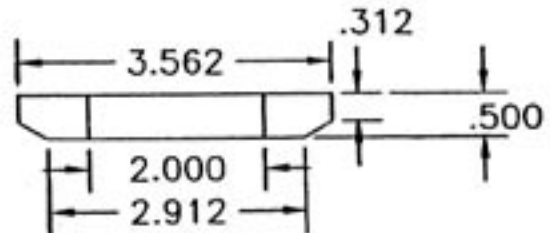
FHG #57

101357



FHG #58

101358



Est. 1958



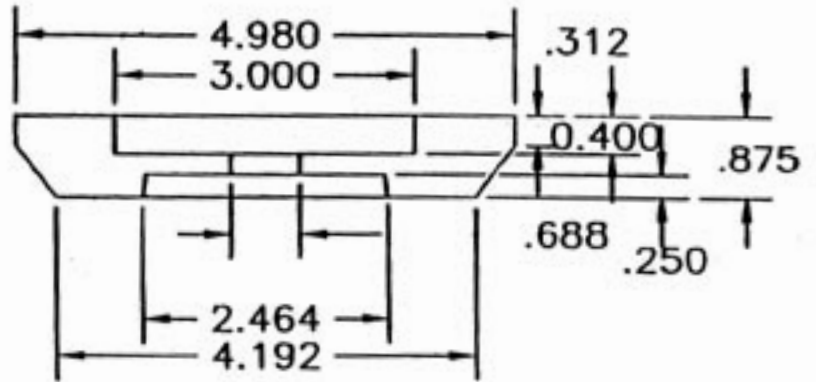
FIRE HYDRANT GASKETS

ITEM

PART NO.

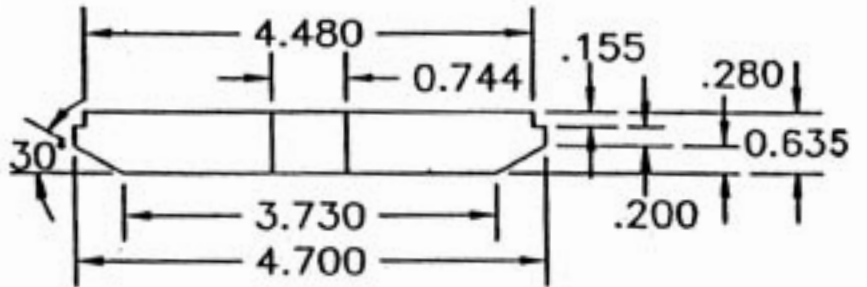
FHG #59

101359



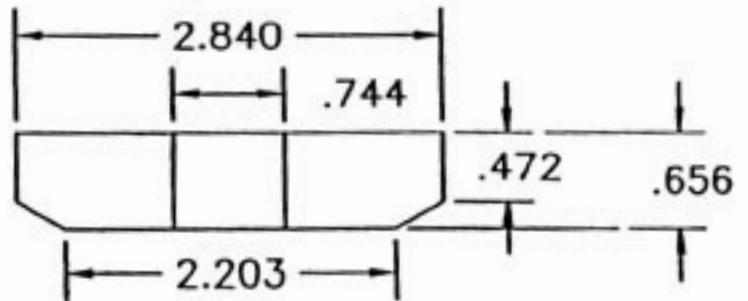
FHG #60

101360



FHG #61

101361

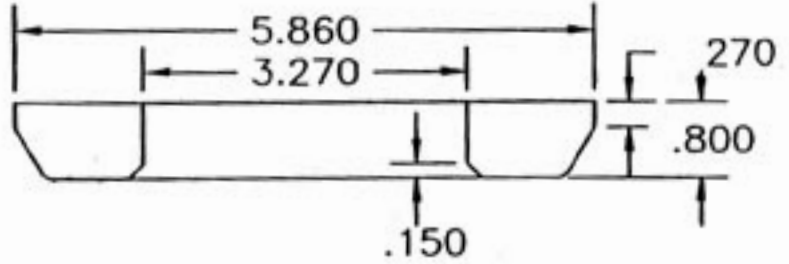


Est. 1958

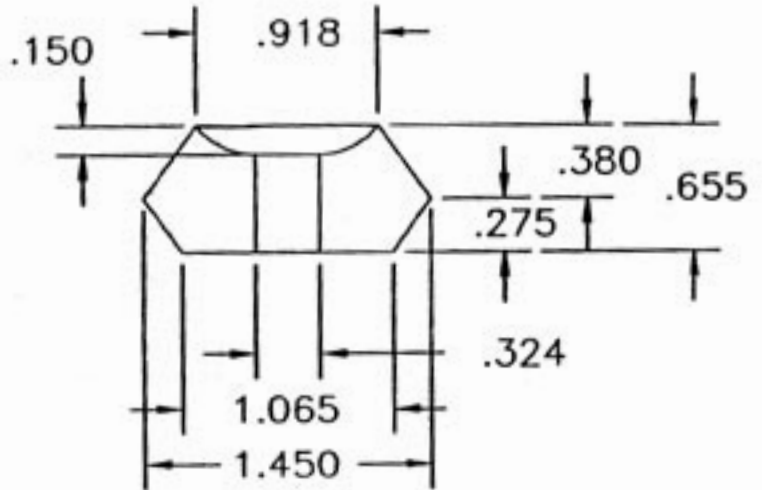


FIRE HYDRANT GASKETS

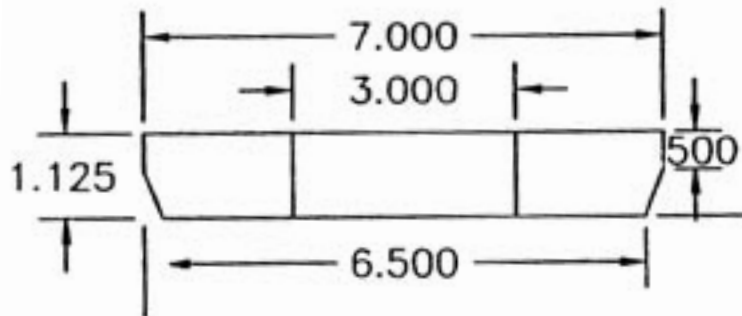
ITEM PART NO.
FHG #62 101362



FHG #63 101363
LUDLOW DRAIN VALVE



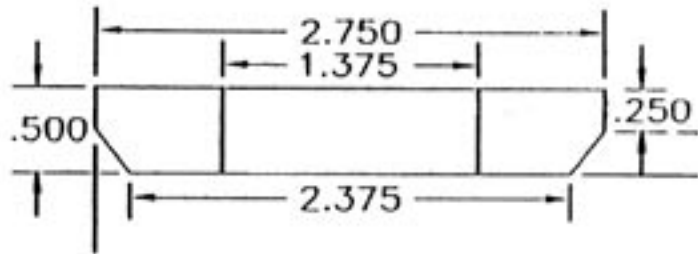
FHG #64 101364



FIRE HYDRANT GASKETS

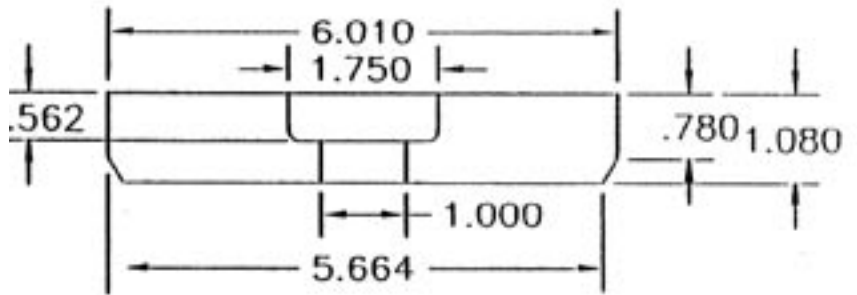
ITEM
 FHG #65

PART NO.
 101365



FHG #66
 CLOW

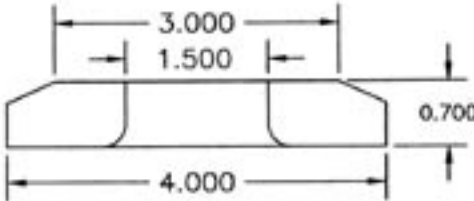
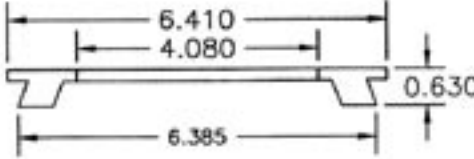
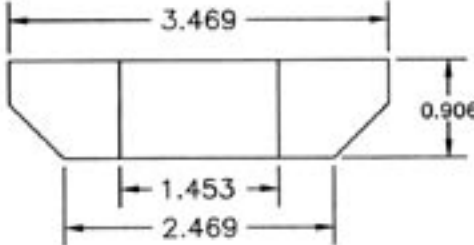
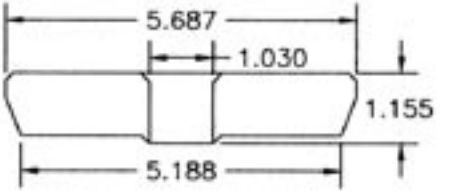
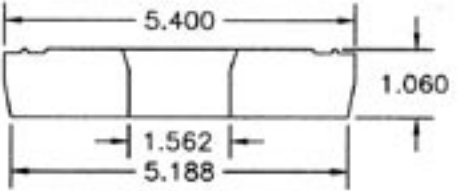
101366



Est. 1958

NEWBY

RUBBER INC

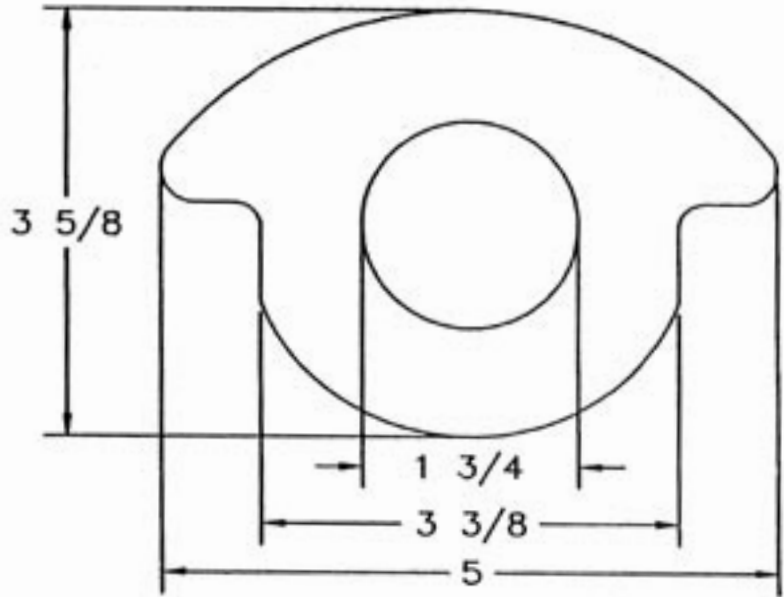
ITEM	PART NO.	
FHG # 68	.101368	
FHG # 69	.101369	
FHG # 70	.101370	
FHG # 71	.101371	
FHG # 72	.101372	

Est. 1958

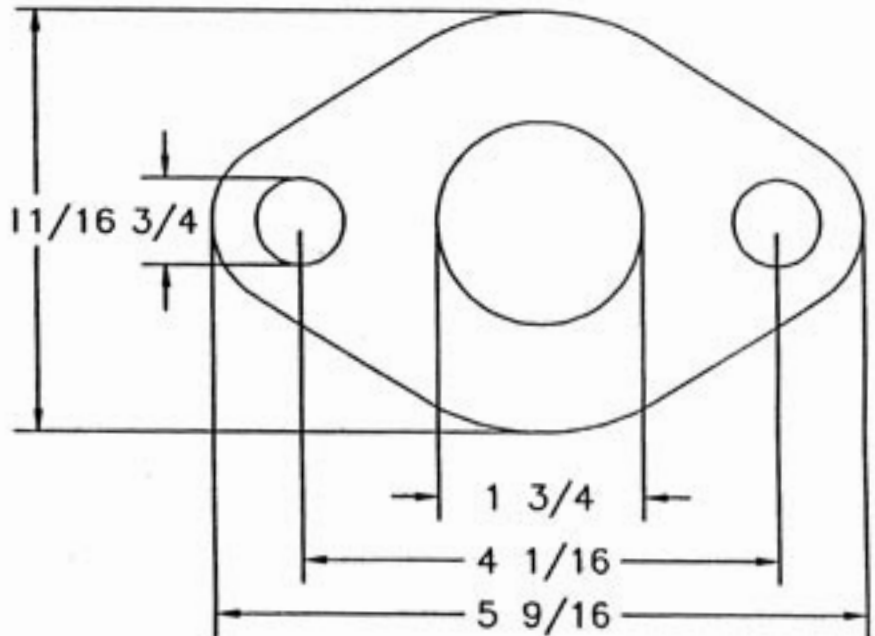
NEWBY

RUBBER INC

PART NO. 400102
DROP IN METER GASKET
1 1/2"
1/8 THICK



PART NO. 400103
FULL FACE METER
GASKET 1 1/2"
1/8 THICK



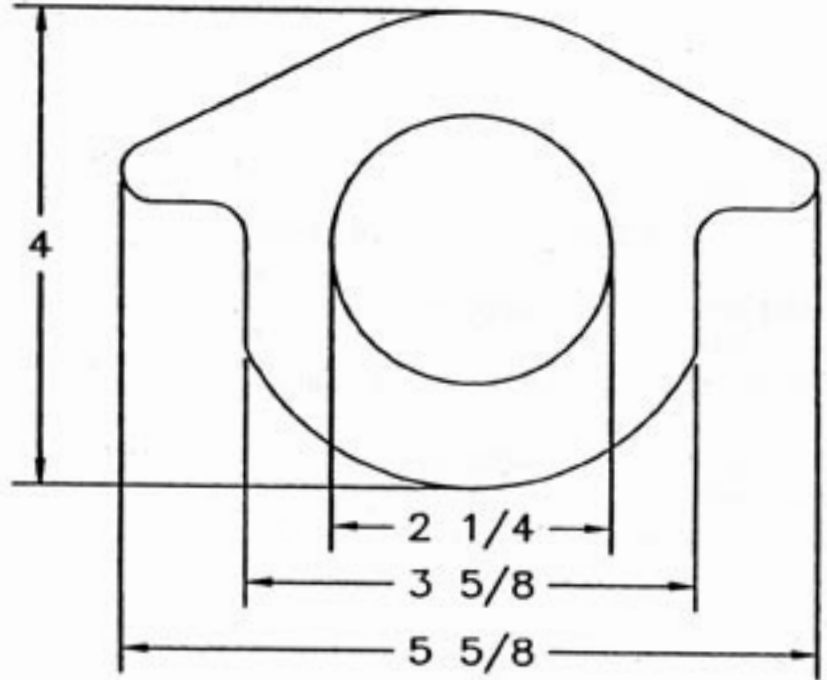
Est. 1958

NEWBY

RUBBER INC

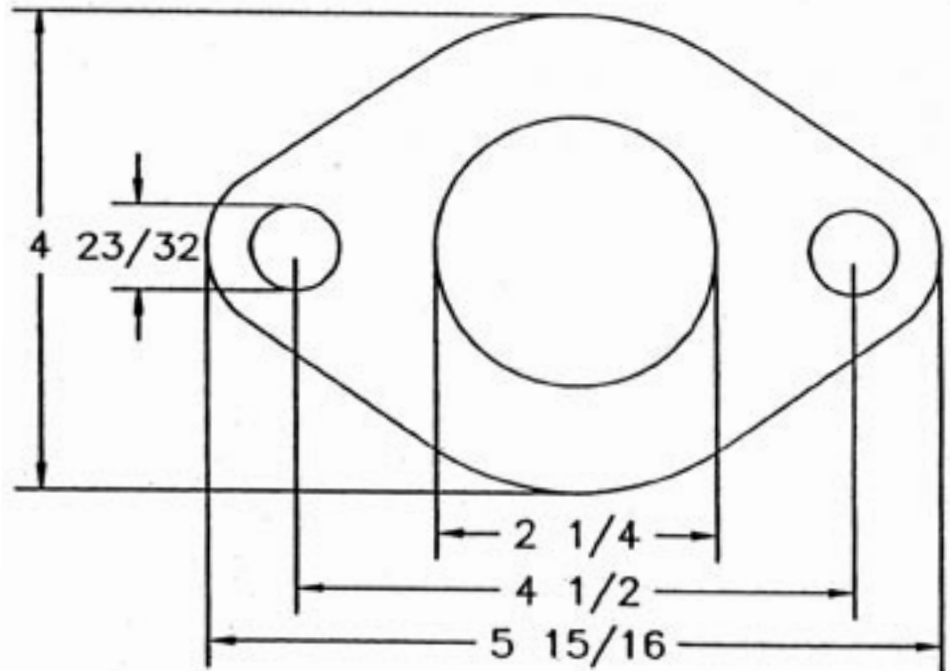
PART NO.
METER GASKET
1/8 THICK

400100



PART NO.
METER GASKET
1/8 THICK

400101



Est. 1958

NEWBY
RUBBER INC

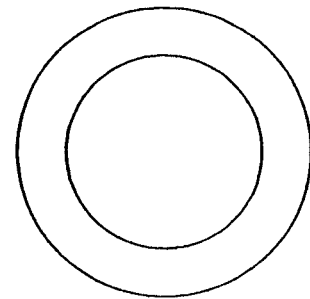
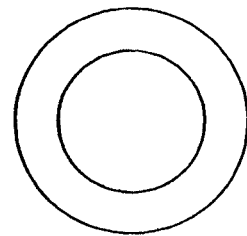
PART NO. 400300
WASHER
3/4 ID X 1 3/16 OD X 1/16 THICK

PART NO. 400301
WASHER
3/4 ID X 1 3/16 OD X 1/8 THICK

PART NO. 400302
WASHER
3/4 ID X 1 1/8 OD X 1/8 THICK

PART NO. 400305
WASHER
1 ID X 1 1/2 OD X 1/16 THICK

PART NO. 400306
WASHER
1 ID X 1 1/2 OD X 1/8 THICK

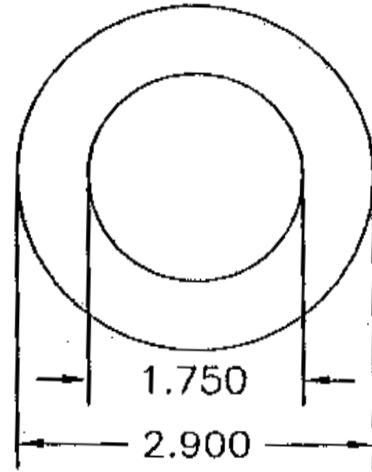


Est. 1958

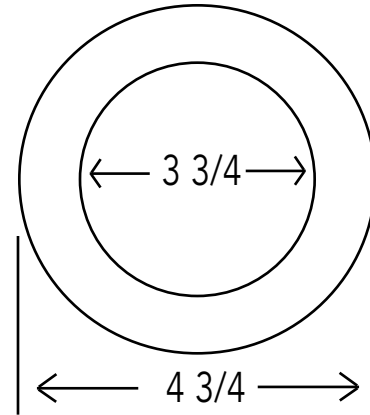
NEWBY

RUBBER INC

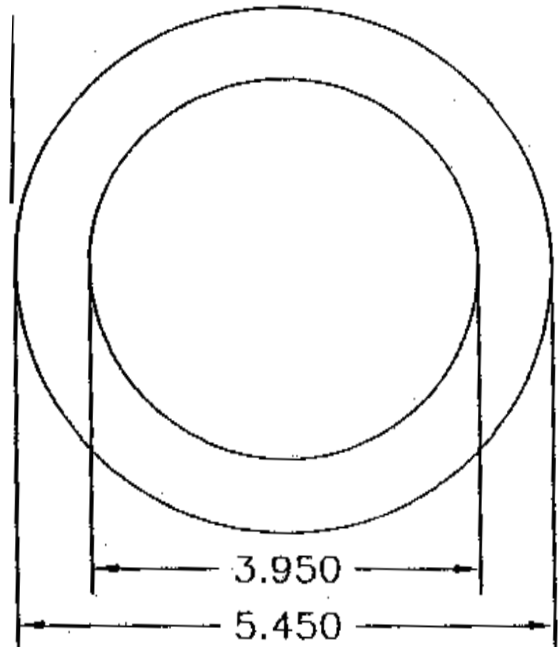
PART NO. 400210
2 1/2" CAP GASKET
1/16 THICK



PART NO. 400220
4" CAP GASKET
1/16 THICK



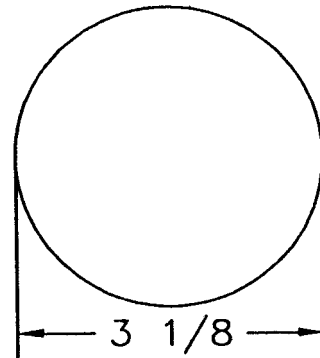
PART NO. 400225
4 1/2" CAP GASKET
1/16 THICK



Est. 1958

NEWBY
RUBBER INC

PART NO. 400330
NOZZLE GASKET
3 1/16" THICK

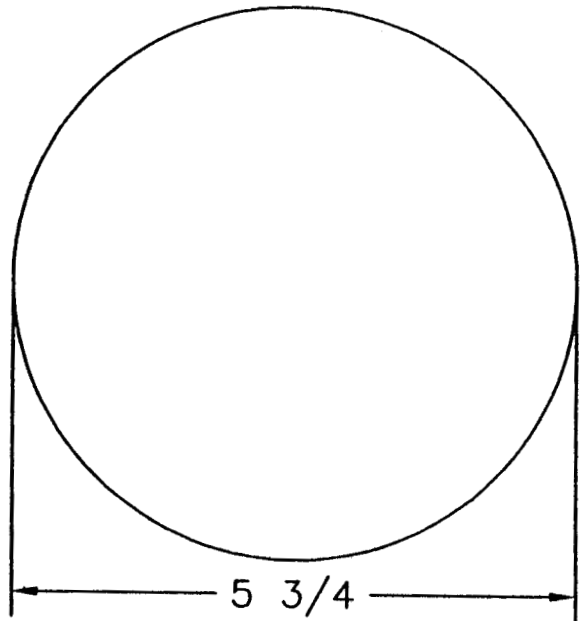


Est. 1958

NEWBY

RUBBER INC

PART NO. 400320
NOZZLE GASKET
3/16" THICK



PART NO. 400310
NOZZLE GASKET
3/16" THICK

