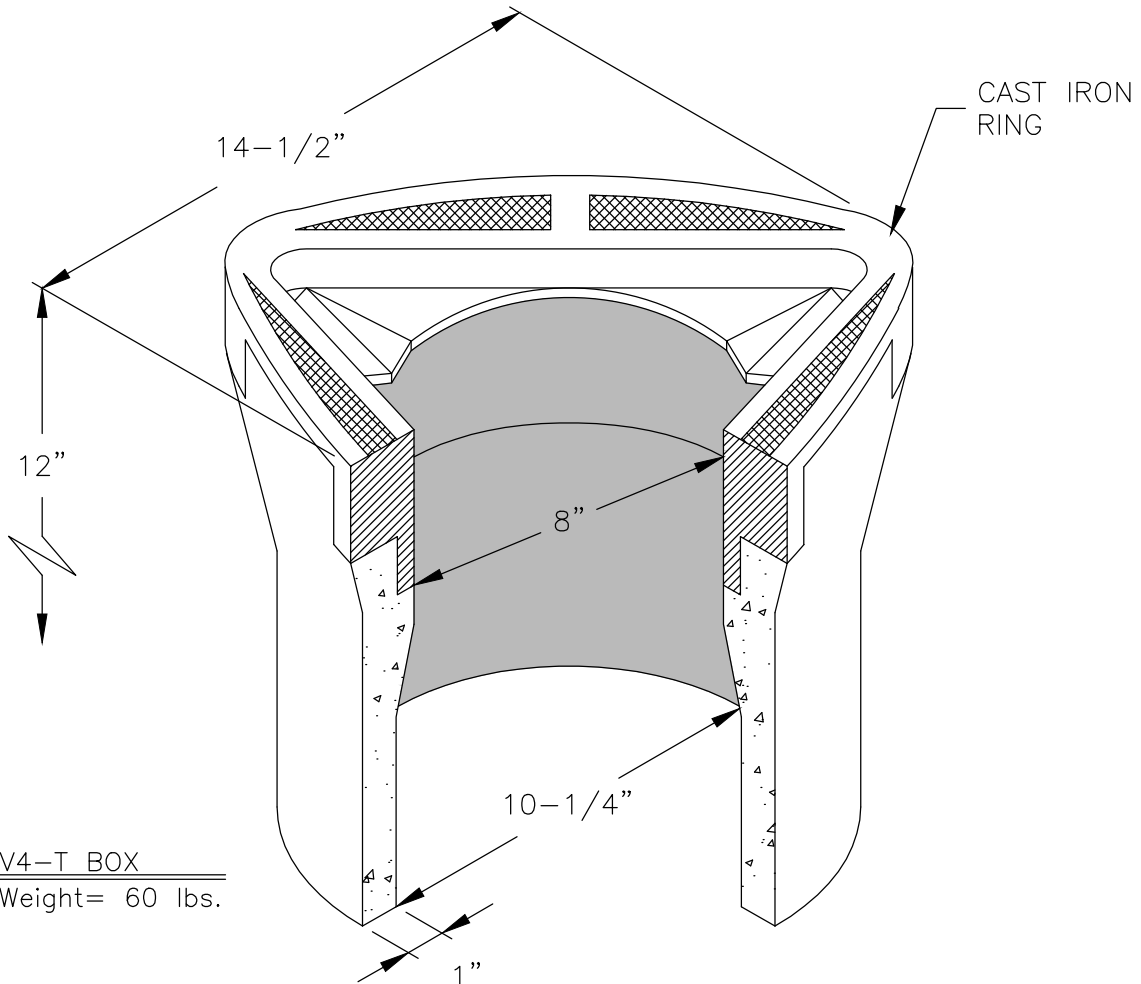


CAST IRON COVER
Weight= 15 lbs.



V4-T BOX
Weight= 60 lbs.

**No. V4-T
VALVE BOX SERIES
FOR H-10 LOADING**

J&R CONCRETE PRODUCTS

440 W. MARKHAM ST.
PERRIS, CA. 92571
PHONE:(951) 943-5855 FAX:(951) 940-9207