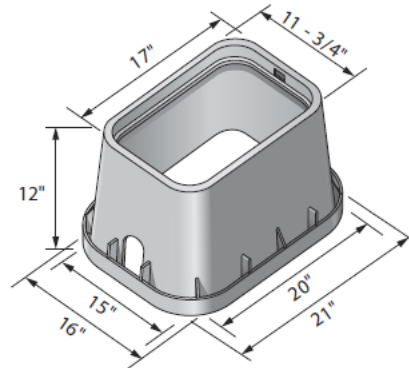
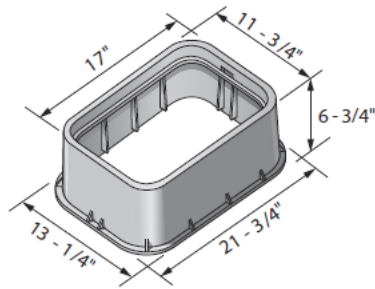
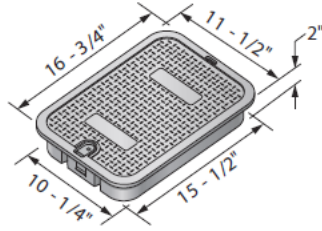




Rectangular Meter Box

Specifications:

Furnish and install Water-Tite rectangular meter box. 14"x19" rectangular meter boxes and covers are injection molded of recycled polyolefin material. The body shall be tapered and have a minimum wall thickness of .200". The body shall have a double wall at the top cover seat area with a minimum thickness of .250". The cover seat area shall have 16 structural support ribs on the underside of the seat, each with a minimum thickness of .250". The bottom of the body shall have a .500" flange. The cover shall have an average thickness of .250". Product shall be Water-Tite product code checked below as manufactured by IPS Corporation.



✓	Product Code #	Product Description	Model #	Units/Case
	83365	14"x19" Rectangular box w/green overlapping lid	VB4	1
	83366	14"x19"x6" Extension	VB4X	1
	83352	14"x19" green box cover	VB4L	1

