

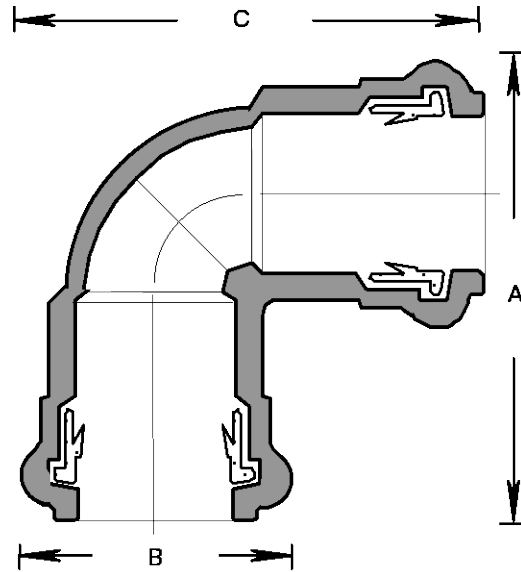
DR18 FITTINGS, C907 FITTINGS

ISSUE DATE:
DATE D'EMISSION: 2011 09 30

90° ELBOW

SUPERCEDES:
REMPLECE: 2008 08 30

3



PRODUCT CODE	PRODUCT DESCRIPTION	NOMINAL SIZE		A		B		C		GASKET CODE
		(in)	(mm)	(in)	(mm)	(in)	(mm)	(in)	(mm)	
073150	90 ELBOW DR18	4	100	10.140	258	6.250	159	10.140	258	072344