



The advertisement features a top section with orange pipes and a silver coupling. A central white banner contains the company logo and tagline. The bottom section shows two workers in orange safety gear working in a trench with a large pipe. A large vertical pipe with couplings is on the right side of the image.

# JOINTS COUPLINGS

Connecting Underground Sewer and  
Drain Waste Pipe for More than 65 Years

[www.JointsCouplings.com](http://www.JointsCouplings.com)



## **OUR ENVIRONMENTAL COMMITMENT**

Joins Couplings is committed to preserving and protecting our natural environment for future generations. Please read our environmental commitment statement at:

**[www.JoinsCouplings.com/footprint](http://www.JoinsCouplings.com/footprint)**

# Flexible Couplings for Drainage and Waste Water Systems

## Watertight Seals with Higher Density and Greater Strength

**Joints is a specialty manufacturer of environmentally safe, code approved, energy efficient custom couplings, sewer fittings and coring machines that are used by contractors, developers, municipalities and government agencies worldwide.**

TABLE OF CONTENTS	
<b>Couplings and Adaptors</b>	
CALDER Unshielded Slip/ Transition Couplings .....	4
CALDER Repair Couplings (CRC) .....	10
Large Diameter CALDER Repair Couplings.....	16
CALDER Style Couplings.....	17
CALDER Style Bushings.....	18
<b>Sewer Saddles</b>	
Tap-N-Tee Saddle .....	20
<b>Core Drills</b>	
Coring Machines.....	22
Shibuya Blue.....	22
Milwaukee Red.....	22
Core Bits.....	23
<b>Accessories</b>	
Torque Wrenches .....	24
Ratchet Tie-Down .....	24
Water Tank.....	24
Product Legend .....	24
Technical Information .....	25
About Us.....	26
Guide for Standard Pipe Sizes .....	28

Our state-of-the-art manufacturing processes and technology produce a strong, water tight, flexible joint that will repair, adapt, reduce or cap almost any type of pipe used for sewer, drain waste and vent applications. Our design and build capabilities provide quick, easy field solutions for large (up to 10') and small (down to 1.25") diameter pipe connections including emergency repair fittings that ship within 24 hours. The CALDER Coupling, Tap-N-Tee saddle connection and portable coring machines provide strong, flexible, watertight seals for clay, concrete, PVC, cast iron, ductal iron, centrifugally cast fiberglass pipe, and masonry drilling applications. We also manufacture custom molded couplings in non-standard sizes and polymers that are made-to-order.

Our Core and Tap drills are lightweight and portable, allowing the operator to quickly core and cut pipe underground or aboveground at just about any point during construction. In minutes, this heavy-duty, semi-automatic machine drills holes up to 9" in diameter allowing for easy, quick coupling installation.

Due to our practical experience and skill, Joints enjoys a high level of repeat business working with many customers consistently for decades. Our catalogue gives a broad overview of the standard products we manufacture, but does not include specialty connections for more complex projects. The complete Joints product line can also be viewed on our website: [www.JointsCouplings.com](http://www.JointsCouplings.com).

Contact us to discuss your water and utility infrastructure needs for sewer repair, underground pipe connections and specialty projects. For more information about our products or to place an order call:

Toll free from anywhere in the U.S. or Canada: **(877) 244-3410**

Phone: **(626) 448-2100** • FAX: **(626) 448-2140**

# Couplings and Adaptors



Quality and easy installation makes Joints Couplings widely accepted by sewer and plumbing contractors, developers and municipalities.

## BENEFITS

- **Flexible:** Sewer Couplings connect pipe of different sizes and materials from 1.5" to 96" diameter.
- **Withstands Compression and Tension:** Unlike other manufactures' thermoplastic couplings, we combine synthetic rubbers which allow for increased flexibility and distortion without altering essential physical or chemical resistance.
- **Resists Corrosion:** Rust-proof stainless steel clamping bands
- **Durable and Impervious:** Leak proof, root-proof, and resistant to ultra violet rays, fungus growth, chemicals, and normal sewer gases.
- **Tight Fitting:** Stainless steel (300 and 316 series) worm drive clamping bands hold pipe ends securely in place.

## CALDER UNSHIELDED SLIP/TRANSITION COUPLINGS

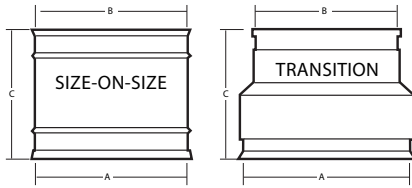
### JTS01 - SERIES

CLAY TO CLAY		A		B		C	
		INCH	MM	INCH	MM	INCH	MM
JTS01-44	4" Clay to 4" Clay	5.35	136	5.35	136	4.00	102
JTS01-54*	5" Clay to 4" Clay	6.68	170	5.35	136	6.00	152
JTS01-55	5" Clay to 5" Clay	6.45	164	6.45	164	6.00	152
JTS01-64	6" Clay to 4" Clay	8.05	204	5.20	132	3.25	83
JTS01-64 TYPE O*	6" Oversize Clay to 4" Clay	8.05	204	5.35	136	4.50	152
JTS01-65	6" Clay to 5" Clay	8.05	204	6.45	164	6.00	152
JTS01-66 (W)	6" Clay to 6" Clay	8.05	204	8.05	204	4.50	114
JTS01-66 (E)	6" Eastern Clay to 6" Eastern Clay	7.60	193	7.60	193	6.00	152
JTS01-86 (W)*	8" Clay to 6" Clay	10.05	255	8.05	204	4.50	114
JTS01-86 (E)*	8" Eastern Clay to 6" Eastern Clay	9.95	253	7.60	193	6.00	152
JTS01-88 (W)	8" Clay to 8" Clay	10.05	255	10.05	255	4.50	114
JTS01-88 (E)	8" Eastern Clay to 8" Eastern Clay	9.95	253	9.95	253	6.00	152
JTS01-1008*	10" Clay to 8" Clay	12.50	318	10.05	255	6.00	152
JTS01-1010	10" Clay to 10" Clay	12.50	318	12.50	318	6.00	152
JTS01-1210*	12" Clay to 10" Clay	14.50	368	12.50	318	6.00	152
JTS01-1212	12" Clay to 12" Clay	14.50	368	14.50	368	6.00	152
JTS01-1512*	15" Clay to 12" Clay	18.30	465	14.50	368	6.00	152
JTS01-1515	15" Clay to 15" Clay	18.30	465	18.30	465	11.00	279
JTS01-1818	18" Clay to 18" Clay	21.20	538	21.20	538	11.00	279
JTS01-2121	21" Clay to 21" Clay	25.75	654	25.75	654	11.00	279
JTS01-2424	24" Clay to 24" Clay	29.25	743	29.25	743	11.00	279
JTS01-2727	27" Clay to 27" Clay	33.05	839	33.05	839	11.00	279

\*notes couplings with a flanged bushing

(E) = Eastern Clay Pipe • (W) = Western Clay Pipe

**Specifications**  
 Rubber: Meets **ASTM C425**  
 and **ASTM C1173**.  
 300 and 316 Series  
 Stainless Steel: **ASTM A240**



## CALDER UNSHIELDED SLIP/TRANSITION COUPLINGS

### JTS02 - SERIES

CLAY TO CAST IRON/PLASTIC		A		B		C	
		INCH	MM	INCH	MM	INCH	MM
JTS02-43	4" Clay to 3" CI/PL	5.35	136	3.39	86	4.00	102
JTS02-44	4" Clay to 4" CI/PL	5.35	136	4.51	115	4.00	102
JTS02-46	4" Clay to 6" CI/PL	5.35	136	6.45	164	6.00	152
JTS02-54	5" Clay to 4" CI/PL	6.45	164	4.51	115	6.00	152
JTS02-55	5" Clay to 5" CI/PL	6.45	164	5.50	140	6.00	152
JTS02-64 (W)	6" Clay to 4" CI/PL	8.05	204	4.51	115	6.00	152
JTS02-64 (E)*	6" Eastern Clay to 4" CI/PL	7.60	193	4.51	115	6.00	152
JTS02-66 (W)	6" Clay to 6" CI/PL	8.05	204	6.45	164	6.00	152
JTS02-66 (E)*	6" Eastern Clay to 6" CI/PL	7.60	193	6.375	162	6.00	152
JTS02-66 (E) ABS/SCH 40*	6" Eastern Clay to 6" ABS/SCH 40	7.60	193	6.625	168	6.00	152
JTS02-86*	8" Clay to 6" CI/PL	10.05	255	6.45	164	6.00	152
JTS02-86 (E)*	8" Eastern Clay to 6" CI/PL	9.95	253	6.375	162	6.00	152
JTS02-86 (E) ABS/SCH 40*	8" Eastern Clay to 6" ABS/SCH 40	9.95	253	6.625	168	6.00	152
JTS02-88 (W)*	8" Clay to 8" CI/PL	10.05	255	8.66	220	6.00	152
JTS02-88 (E)*	8" Eastern Clay to 8" CI/PL	9.95	253	8.66	220	4.50	114
JTS02-1008*	10" Clay to 8" CI/PL	12.50	318	8.66	220	6.00	152
JTS02-1010	10" Clay to 10" CI/PL	12.50	318	10.75	273	6.00	152
JTS02-1210*	12" Clay to 10" CI/PL	14.50	368	10.75	273	6.00	152
JTS02-1212	12" Clay to 12" CI/PL	14.50	368	12.53	318	6.00	152
JTS02-1512*	15" Clay to 12" CI/PL	18.30	465	12.53	318	6.00	152
JTS02-1515*	15" Clay to 15" CI/PL	18.30	465	15.30	389	6.00	152
JTS02-1818*	18" Clay to 18" CI/PL	21.20	538	18.78	477	11.00	279
JTS02-2121*	21" Clay to 21" CI/PL	25.75	654	21.9	556	11.00	279
JTS02-2424*	24" Clay to 24" CI/PL	29.25	743	24.82	630	11.00	279
JTS02-2727*	27" Clay to 27" CI/PL	33.05	839	27.91	709	11.00	279

\*notes couplings with a flanged bushing

See Product Legend on page 24

(E) = Eastern Clay Pipe • (W) = Western Clay Pipe

[www.JointsCouplings.com](http://www.JointsCouplings.com) • (877) 244-3410 • [info@JointsCouplings.com](mailto:info@JointsCouplings.com)

## CALDER UNSHIELDED SLIP/TRANSITION COUPLINGS

### JTS03 -SERIES

CLAY TO ASBESTOS CEMENT/DUCTILE IRON		A		B		C	
		INCH	MM	INCH	MM	INCH	MM
JTS03-44	4" Clay to 4" AC/DI	5.35	136	4.90	124	4.00	102
JTS03-54*	5" Clay to 4" AC/DI	6.68	170	4.90	124	6.00	152
JTS03-55*	5" Clay to 5" AC/DI	6.68	170	5.91	150	6.00	152
JTS03-64*	6" Clay to 4" AC/DI	8.00	203	4.90	124	6.00	152
JTS03-65*	6" Clay to 5" AC/DI	8.00	203	5.91	150	6.00	152
JTS 03-66 (E)*	6" Eastern Clay to 6" AC/DI	7.60	193	6.94	176	6.00	152
JTS03-66	6" Clay to 6" AC/DI	8.00	203	7.10	180	6.00	152
JTS03-85*	8" Clay to 5" AC/DI	10.05	255	5.91	150	6.00	152
JTS 03-86 (E)*	8" Eastern Clay to 6" AC/DI	9.95	253	6.94	176	6.00	152
JTS03-86*	8" Clay to 6" AC/DI	10.05	255	7.10	180	6.00	152
JTS 03-88 (E)*	8" Eastern Clay to 8" AC/DI	9.95	253	9.05	230	6.00	152
JTS03-88*	8" Clay to 8" AC/DI	10.05	255	9.05	230	6.00	152
JTS03-1008*	10" Clay to 8" AC/DI	12.50	318	9.05	230	6.00	152
JTS03-1010*	10" Clay to 10" AC/DI	12.50	318	11.15	283	6.00	152
JTS03-1210*	12" Clay to 10" AC/DI	14.50	368	11.15	283	6.00	152
JTS03-1212*	12" Clay to 12" AC/DI	14.50	368	13.25	337	6.00	152
JTS03-1512*	15" Clay to 12" AC/DI	18.30	465	13.25	337	6.00	152
JTS03-1516*	15" Clay to 16" AC/DI	18.30	465	17.75	451	11.00	279
JTS03-1818*	18" Clay to 18" AC/DI	21.20	538	19.55	497	11.00	279

\*notes couplings with a flanged bushing

See Product Legend on page 24



MANUFACTURED  
IN THE USA

## CALDER UNSHIELDED SLIP/TRANSITION COUPLINGS

### JTS04 - SERIES

CONCRETE TO CONCRETE		A		B		C	
		INCH	MM	INCH	MM	INCH	MM
JTS04-44	4" to 4" Concrete	5.97	152	5.97	152	4.00	102
JTS04-64	6" to 4" Concrete	8.10	206	5.97	152	6.00	152
JTS04-66	6" to 6" Concrete	8.10	206	8.10	206	6.00	152
JTS04-86*	8" to 6" Concrete	10.50	267	8.10	206	6.00	152
JTS04-88	8" to 8" Concrete	10.50	267	10.50	267	6.00	152
JTS04-1008*	10" to 8" Concrete	12.61	320	10.50	267	6.00	152
JTS04-1010	10" to 10" Concrete	12.61	320	12.61	320	6.00	152
JTS04-1210*	12" to 10" Concrete	14.90	378	12.61	320	6.00	152
JTS04-1212	12" to 12" Concrete	14.90	378	14.90	378	6.00	152
JTS04-1515	15" to 15" Concrete	19.76	502	19.76	502	6.00	152
JTS04-1818	18" to 18" Concrete	22.60	574	22.60	574	11.00	279
JTS04-2121	21" to 21" Concrete	26.55	674	26.55	674	11.00	279
JTS04-2424	24" to 24" Concrete	30.55	776	30.55	776	11.00	279
JTS04-2727	27" to 27" Concrete	34.10	866	34.10	866	11.00	279

\* - notes couplings with a flanged bushing

See Product Legend on page 24

### JTS06 - SERIES

CONCRETE TO CAST IRON/PLASTIC		A		B		C	
		INCH	MM	INCH	MM	INCH	MM
JTS06-43*	4" Concrete to 3" CI/PL	5.97	152	3.39	86	4.00	102
JTS06-44	4" Concrete to 4" CI/PL	5.97	152	4.51	115	4.00	102
JTS06-65	6" Concrete to 5" CI/PL	8.10	206	5.50	140	6.00	152
JTS06-64	6" Concrete to 4" CI/PL	8.10	206	4.51	115	6.00	152
JTS06-66	6" Concrete to 6" CI/PL	8.10	206	6.45	164	6.00	152
JTS06-86*	8" Concrete to 6" CI/PL	10.50	267	6.45	164	6.00	152
JTS06-88	8" Concrete to 8" CI/PL	10.50	267	8.50	216	6.00	152
JTS06-1008*	10" Concrete to 8" CI/PL	12.61	320	8.50	216	6.00	152
JTS06-1010*	10" Concrete to 10" CI/PL	12.61	320	10.75	273	6.00	152
JTS06-1210*	12" Concrete to 10" CI/PL	14.90	378	10.75	273	6.00	152
JTS06-1212	12" Concrete to 12" CI/PL	14.90	378	12.53	318	6.00	152
JTS06-1515*	15" Concrete to 15" CI/PL	19.76	502	15.30	389	6.00	152
JTS06-1818*	18" Concrete to 18" CI/PL	22.60	574	18.78	477	11.00	279
JTS06-2121*	21" Concrete to 21" CI/PL	26.55	674	21.9	556	11.00	279
JTS06-2424*	24" Concrete to 24" CI/PL	30.55	776	24.82	630	11.00	279
JTS06-2727*	27" Concrete to 27" CI/PL	34.10	866	27.91	709	11.00	279

\*notes couplings with a flanged bushing

See Product Legend on page 24

## CALDER UNSHIELDED SLIP/TRANSITION COUPLINGS

### JTS51 - SERIES

ASBESTOS CEMENT/DUCTILE IRON TO CAST IRON/PLASTIC		A		B		C	
		INCH	MM	INCH	MM	INCH	MM
JTS51-43*	4" AC/DI to 3" CI/PL	4.90	124	3.39	86	4.00	102
JTS51-44	4" AC/DI to 4" CI/PL	4.90	124	4.21	107	4.00	102
JTS51-54	5" AC/DI to 4" CI/PL	5.91	150	4.21	107	6.00	152
JTS51-54 Type O*	5" AC/DI to 4" CI/PL Oversize	5.91	150	4.51	115	6.00	152
JTS51-55*	5" AC/DI to 5" CI/PL	5.91	150	5.50	140	6.00	152
JTS51-56	5" AC/DI to 6" CI/PL	5.91	150	6.45	164	6.00	152
JTS51-64*	6" AC/DI to 4" CI/PL	7.10	180	4.51	115	6.00	152
JTS51-65*	6" AC/DI to 5" CI/PL	7.10	180	5.50	140	6.00	152
JTS51-66	6" AC/DI to 6" CI/PL	7.10	180	6.45	164	6.00	152
JTS51-86*	8" AC/DI to 6" CI/PL	9.05	230	6.45	164	6.00	152
JTS51-88	8" AC/DI to 8" CI/PL	9.05	230	8.50	216	6.00	152
JTS51-1008*	10" AC/DI to 8" CI/PL	11.15	283	8.50	216	6.00	152
JTS51-1010	10" AC/DI to 10" CI/PL	11.15	283	10.75	273	6.00	152
JTS51-1210*	12" AC/DI to 10" CI/PL	13.25	337	10.75	273	6.00	152
JTS51-1212	12" AC/DI to 12" CI/PL	13.25	337	12.53	318	6.00	152
JTS51-1615*	16" AC/DI to 15" CI/PL	17.75	451	15.30	389	11.00	279
JTS51-1818*	18" AC/DI to 18" CI/PL	19.55	497	18.78	477	11.00	279

\*notes couplings with a flanged bushing

See Product Legend on page 24

### JTS55 - SERIES

ASBESTOS CEMENT/ DUCTILE IRON TO ASBESTOS CEMENT/DUCTILE IRON		A		B		C	
		INCH	MM	INCH	MM	INCH	MM
JTS-55-44	4" AC/DI to 4" AC/DI	4.90	124	4.90	124	4.00	102
JTS-55-54*	5" AC/DI to 4" AC/DI	5.91	150	4.90	124	6.00	152
JTS-55-55	5" AC/DI to 5" AC/DI	5.91	150	5.91	150	6.00	152
JTS-55-64	6" AC/DI to 4" AC/DI	7.10	180	4.90	124	6.00	152
JTS-55-65*	6" AC/DI to 5" AC/DI	7.10	180	5.91	150	6.00	152
JTS-55-66	6" AC/DI to 6" AC/DI	7.10	180	7.10	180	6.00	152
JTS-55-86*	8" AC/DI to 6" AC/DI	9.05	230	7.10	180	6.00	152
JTS-55-88	8" AC/DI to 8" AC/DI	9.05	230	9.05	230	6.00	152
JTS-55-1008*	10" AC/DI to 8" AC/DI	11.15	283	9.05	230	6.00	152
JTS-55-1010	10" AC/DI to 10" AC/DI	11.15	283	11.15	283	6.00	152
JTS-55-1210*	12" AC/DI to 10" AC/DI	13.25	337	11.15	283	6.00	152
JTS-55-1212	12" AC/DI to 12" AC/DI	13.25	337	13.25	337	6.00	152
JTS-55-1616	16" AC/DI to 16" AC/DI	17.75	451	17.75	451	11.00	279
JTS-55-1818	18" AC/DI to 18" AC/DI	19.55	497	19.55	497	11.00	279

\*notes couplings with a flanged bushing

See Product Legend on page 24



## CALDER UNSHIELDED SLIP/TRANSITION COUPLINGS

### JTS56 - SERIES

CAST IRON/PLASTIC TO CAST IRON/PLASTIC		A		B		C	
		INCH	MM	INCH	MM	INCH	MM
JTS56-125	1 1/2" Tubing, Copper or 1 1/4" PL to Same	1.54	39	1.54	39	2.50	64
JTS56-15/125	1 1/2" CI/PL to 1 1/2" Tubing, Copper or 1 1/4" PL	1.92	49	1.54	39	2.50	64
JTS56-22/125	2" CI/PL to 1 1/2" Tubing, Copper or 1 1/4" PL	2.40	61	1.54	39	2.50	64
JTS56-15	1 1/2" to 1 1/2" CI/PL	1.92	49	1.92	49	3.50	89
JTS56-215	2" to 1 1/2" CI/PL	2.42	61	1.92	49	3.50	89
JTS56-22	2" to 2" CI/PL	2.42	61	2.42	61	3.50	89
JTS56-315	3" to 1 1/2" CI/PL	3.39	86	1.92	49	4.00	102
JTS56-32	3" to 2" CI/PL	3.39	86	2.42	61	4.00	102
JTS56-33	3" to 3" CI/PL	3.39	86	3.39	86	4.00	102
JTS56-415	4" to 1 1/2" CI/PL	4.45	113	1.92	49	4.00	102
JTS56-42	4" to 2" CI/PL	4.45	113	2.42	61	4.00	102
JTS56-43	4" to 3" CI/PL	4.45	113	3.39	86	4.00	102
JTS56-43 Offset	4" to 3" Eccentric	4.45	113	3.39	86	4.00	102
JTS56-44	4" to 4" CI/PL	4.45	113	4.45	113	4.00	102
JTS56-53*	5" to 3" CI/PL	5.50	140	3.39	86	4.00	102
JTS56-54	5" to 4" CI/PL	5.50	140	4.45	113	4.00	102
JTS56-55	5" to 5" CI/PL	5.50	140	5.5	140	4.00	102
JTS56-63*	6" to 3" CI/PL	6.45	164	3.39	86	6.00	152
JTS56-64	6" to 4" CI/PL	6.45	164	4.45	113	6.00	152
JTS56-65 Type 0	6" Oversize to 5"	6.75	171	5.5	140	6.00	152
JTS56-66	6" to 6" CI/PL	6.45	164	6.45	164	6.00	152
JTS56-84	8" to 4" CI/PL	8.50	216	4.45	113	6.00	152
JTS56-85 Type 0	8" Oversize to 5"	8.50	216	5.5	140	6.00	152
JTS56-86	8" to 6" CI/PL	8.50	216	6.45	164	6.00	152
JTS56-88	8" to 8" CI/PL	8.50	216	8.55	217	6.00	152
JTS56-1006 Type 0	10" to 6" Oversize	10.75	273	6.55	166	6.00	152
JTS56-1008*	10" to 8" CI/PL	10.55	268	8.5	216	6.00	152
JTS56-1010	10" to 10" CI/PL	10.55	268	10.55	268	6.00	152
JTS56-1210*	12" to 10" CI/PL	12.53	318	10.55	268	6.00	152
JTS56-1212	12" to 12" CI/PL	12.53	318	12.53	318	6.00	152
JTS56-1512*	15" to 12" CI/PL	15.30	389	12.53	318	6.00	152
JTS56-1515	15" to 15" SDR 35 (15.3" O.D.)	15.30	389	15.3	389	6.00	152
JTS56-1616	15" to 15" CI/SCH40 (16.0" O.D.)	15.72	399	16.05	408	6.00	152
JTS56-1815*	18" to 15" CI/PL	18.78	477	15.3	389	11.00	279
JTS56-1818	18" to 18" CI/PL	18.78	477	18.78	477	11.00	279
JTS56-2121	21" to 21" CI/PL	21.90	556	21.9	556	11.00	279
JTS56-2424	24" to 24" CI/PL	24.82	630	24.82	630	11.00	279
JTS56-2727	27" to 27" CI/PL	27.91	709	27.91	709	11.00	279

\*notes couplings with a flanged bushing

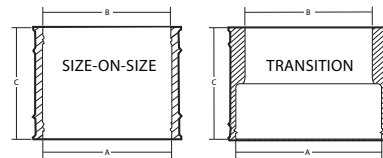
See Product Legend on page 24

# CALDER Repair Couplings (CRC)

CALDER Repair Couplings (CRC) for leak-proof, root-resistant seals on virtually any main line sewer pipe. Provides a positive seal against infiltration and exfiltration when resistance to heavy earth loads, shear forces and precise alignment are required.

## BENEFITS

- **Stainless Steel Shear Ring:** Substantially thicker than many competitive products.
- **Corrosion Resistant:** Stainless steel clamps (available in 304 & 316) form a leak-proof seal, delivering the greatest corrosion resistance possible.
- **Sealing Ridges:** Molded into each coupling to prevent pipe from shifting or slipping. Creates the tightest seal possible.
- **Nut and Bolt Clamp Design:** More durable than traditional worm drive design. (Worm gear clamps available)



MANUFACTURED  
IN THE USA

## CALDER REPAIR COUPLINGS (CRC)

### JTS01 - SERIES

CLAY TO CLAY		A		B		C	
		INCH	MM	INCH	MM	INCH	MM
JTS01-44 CRC	4" Clay to 4" Clay	5.35	136	5.35	136	4.00	102
JTS01-54 CRC*	5" Clay to 4" Clay	6.45	164	5.35	136	6.00	152
JTS01-55 CRC	5" Clay to 5" Clay	6.45	164	6.45	164	6.00	152
JTS01-64 CRC*	6" Clay to 4" Clay	8.05	204	5.35	136	6.00	152
JTS01-66CRC (W)	6" Clay to 6" Clay	8.05	204	8.05	204	4.50	114
JTS01-66 CRC (E)	6" Eastern Clay to 6" Eastern Clay	7.60	193	7.60	193	6.00	152
JTS01-86 CRC (W)*	8" Clay to 6" Clay	10.05	255	8.05	204	4.50	114
JTS01-86 CRC (E)*	8" Eastern Clay to 6" Eastern Clay	9.95	253	7.60	193	6.00	152
JTS01-88 CRC (W)	8" Clay to 8" Clay	10.05	255	10.05	255	4.50	114
JTS01-88 CRC (E)	8" Eastern Clay to 8" Eastern Clay	9.95	253	9.95	253	6.00	152
JTS01-1008 CRC*	10" Clay to 8" Clay	12.50	318	10.05	255	6.00	152
JTS01-1010 CRC	10" Clay to 10" Clay	12.50	318	12.50	318	6.00	152
JTS01-1210 CRC	12" Clay to 10" Clay	14.50	368	12.50	318	6.00	152
JTS01-1212 CRC	12" Clay to 12" Clay	14.50	368	14.50	368	6.00	152
JTS01-1512 CRC*	15" Clay to 12" Clay	18.30	465	14.50	368	6.00	152
JTS01-1515 CRC	15" Clay to 15" Clay	18.30	465	18.30	465	11.00	279
JTS01-1818 CRC	18" Clay to 18" Clay	21.20	538	21.20	538	11.00	279
JTS01-2121 CRC	21" Clay to 21" Clay	25.75	654	25.75	654	11.00	279
JTS01-2424 CRC	24" Clay to 24" Clay	29.25	743	29.25	743	11.00	279
JTS01-2727 CRC	27" Clay to 27" Clay	33.05	839	33.05	839	11.00	279

\*notes couplings with a flanged bushing

(E) = Eastern Clay Pipe • (W) = Western Clay Pipe

### Specifications

- Manufactured with synthetic rubbers conforming to **ASTM C425** and **ASTM C1173**
- Series 300 stainless steel conforms to **ASTM A240**
- Some CRC meet Public Works Construction Standard Specifications (Greenbook Type Z Joint)



## CALDER REPAIR COUPLINGS (CRC)

### JTS02 - SERIES

CLAY TO CAST IRON/PLASTIC		A		B		C	
		INCH	MM	INCH	MM	INCH	MM
JTS02-43 CRC*	4" Clay to 3" CI/PL	5.35	136	3.39	86	4.00	102
JTS02-44 CRC	4" Clay to 4" CI/PL	5.35	136	4.51	115	4.00	102
JTS02-46 CRC*	4" Clay to 6" CI/PL	5.35	136	6.45	164	6.00	152
JTS02-54 CRC	5" Clay to 4" CI/PL	6.45	164	4.51	115	6.00	152
JTS02-55 CRC	5" Clay to 5" CI/PL	6.45	164	5.50	140	6.00	152
JTS02-64 CRC (W)*	6" Clay to 4" CI/PL	8.05	204	4.51	115	4.50	114
JTS02-64 CRC (E)	6" Eastern Clay to 4" CI/PL	7.60	193	4.51	115	6.00	152
JTS02-65 CRC*	6" Clay to 5" CI/PL	8.05	204	5.50	140	6.00	152
JTS02-66 CRC (W)	6" Clay to 6" CI/PL	8.05	204	6.45	164	4.50	114
JTS02-66 CRC (E)	6" Eastern Clay to 6" CI/PL	7.60	193	6.375	162	6.00	152
JTS02-66 CRC (E) ABS/SCH 40	6" Eastern Clay to 6" ABS/SCH 40	7.60	193	6.625	168	6.00	152
JTS02-86 CRC (W)*	8" Clay to 6" CI/PL	10.05	255	6.45	164	4.50	114
JTS02-86 CRC (E)*	8" Eastern Clay to 6" CI/PL	9.95	253	6.375	162	6.00	152
JTS02-86 CRC (E) ABS/SCH 40*	8" Eastern Clay to 6" ABS/SCH 40	9.95	253	6.625	168	6.00	152
JTS02-88 CRC (W)	8" Clay to 8" CL/PL	10.05	255	8.66	220	4.50	114
JTS02-88 CRC (E)	8" Eastern Clay to 8" CI/PL	9.95	253	8.66	220	6.00	152
JTS02-1008 CRC*	10" Clay to 8" CI/PL	12.50	318	8.66	220	6.00	152
JTS02-1010 CRC	10" Clay to 10" CI/PL	12.50	318	10.75	273	6.00	152
JTS02-1210 CRC*	12" Clay to 10" CI/PL	14.50	368	10.75	273	6.00	152
JTS02-1212 CRC*	12" Clay to 12" CI/PL	14.50	368	12.53	318	6.00	152
JTS02-1512 CRC*	15" Clay to 12" CI/PL	18.30	465	12.53	318	6.00	152
JTS02-1515 CRC*	15" Clay to 15" CI/PL	18.30	465	15.30	389	6.00	152
JTS02-1818 CRC*	18" Clay to 18" CI/PL	21.20	538	18.78	477	11.00	279
JTS02-2121 CRC*	21" Clay to 21" CI/PL	25.75	654	21.9	556	11.00	279
JTS02-2424 CRC*	24" Clay to 24" CI/PL	29.25	743	24.82	630	11.00	279
JTS02-2727CRC*	27" Clay to 27" CI/PL	33.05	839	27.91	709	11.00	279

\*notes couplings with a flanged bushing

See Product Legend on page 24

(E) = Eastern Clay Pipe • (W) = Western Clay Pipe

## CALDER REPAIR COUPLINGS (CRC)

### JTS03 -SERIES

CLAY TO ASBESTOS CEMENT/DUCTILE IRON		A		B		C	
		INCH	MM	INCH	MM	INCH	MM
JTS03-44 CRC*	4" Clay to 4" AC/DI	5.35	136	4.90	124	4.00	102
JTS03-54 CRC*	5" Clay to 4" AC/DI	6.45	164	4.90	124	6.00	152
JTS03-55 CRC*	5" Clay to 5" AC/DI	6.45	164	5.91	150	6.00	152
JTS 03-66 CRC (E)	6" Eastern Clay to 6" AC/DI	7.60	193	6.94	176	6.00	152
JTS03-66 CRC (W)	6" Clay to 6" AC/DI	8.00	203	6.94	176	4.50	114
JTS 03-86 CRC (E)	8" Eastern Clay to 6" AC/DI	9.95	253	6.94	176	6.00	152
JTS03-86 CRC*	8" Clay to 6" AC/DI	10.05	255	6.94	176	6.00	152
JTS 03-88 CRC (E)	8" Eastern Clay to 8" AC/DI	9.95	253	9.05	230	6.00	152
JTS03-88 CRC (W)*	8" Clay to 8" AC/DI	10.05	255	9.05	230	4.50	114
JTS03-1008 CRC*	10" Clay to 8" AC/DI	12.50	318	9.05	230	6.00	152
JTS03-1010 CRC*	10" Clay to 10" AC/DI	12.50	318	11.15	283	6.00	152
JTS03-1210 CRC*	12" Clay to 10" AC/DI	14.50	368	11.15	283	6.00	152
JTS03-1212 CRC*	12" Clay to 12" AC/DI	14.50	368	13.25	337	6.00	152
JTS03-1516 CRC*	15" Clay to 16" AC/DI	18.30	465	17.75	451	11.00	279
JTS03-1818 CRC*	18" Clay to 18" AC/DI	21.20	538	19.55	497	11.00	279

\*notes couplings with a flanged bushing

See Product Legend on page 24

(E) = Eastern Clay Pipe • (W) = Western Clay Pipe



## CALDER REPAIR COUPLINGS (CRC)

### JTS04 - SERIES

CONCRETE TO CONCRETE		A		B		C	
		INCH	MM	INCH	MM	INCH	MM
JTS04-44 CRC	4" to 4" Concrete	5.97	152	5.97	152	4.00	102
JTS04-64 CRC*	6" to 4" Concrete	8.10	206	5.97	152	6.00	152
JTS04-66 CRC	6" to 6" Concrete	8.10	206	8.10	206	6.00	152
JTS04-86 CRC*	8" to 6" Concrete	10.50	267	8.10	206	6.00	152
JTS04-88 CRC	8" to 8" Concrete	10.50	267	10.50	267	6.00	152
JTS04-1008 CRC*	10" to 8" Concrete	12.61	320	10.50	267	6.00	152
JTS04-1010 CRC	10" to 10" Concrete	12.61	320	12.61	320	6.00	152
JTS04-1210 CRC*	12" to 10" Concrete	14.90	378	12.61	320	6.00	152
JTS04-1212 CRC	12" to 12" Concrete	14.90	378	14.90	378	6.00	152
JTS04-1515 CRC	15" to 15" Concrete	19.76	502	19.76	502	11.00	279
JTS04-1818 CRC	18" to 18" Concrete	22.60	574	22.60	574	11.00	279
JTS04-2121 CRC	21" to 21" Concrete	26.55	674	26.55	674	11.00	279
JTS04-2424 CRC	24" to 24" Concrete	30.55	776	30.55	776	11.00	279
JTS04-2727CRC	27" to 27" Concrete	34.10	866	34.10	866	11.00	279

\*notes couplings with a flanged bushing

See Product Legend on page 24

### JTS06 - SERIES

CONCRETE TO CAST IRON/PLASTIC		A		B		C	
		INCH	MM	INCH	MM	INCH	MM
JTS06-43 CRC*	4" Concrete to 3" CI/PL	5.97	152	3.39	86	4.00	102
JTS06-44 CRC	4" Concrete to 4" CI/PL	5.97	152	4.51	115	4.00	102
JTS06-64 CRC	6" Concrete to 4" CI/PL	8.10	206	4.51	115	6.00	152
JTS06-66 CRC	6" Concrete to 6" CI/PL	8.10	206	6.45	164	6.00	152
JTS06-86 CRC*	8" Concrete to 6" CI/PL	10.50	267	6.45	164	6.00	152
JTS06-88 CRC	8" Concrete to 8" CI/PL	10.50	267	8.50	216	6.00	152
JTS06-1008 CRC	10" Concrete to 8" CI/PL	12.35	314	8.50	216	6.00	152
JTS06-1010 CRC*	10" Concrete to 10" CI/PL	12.35	314	10.75	273	6.00	152
JTS06-1212 CRC*	12" Concrete to 12" CI/PL	14.90	378	12.53	318	6.00	152
JTS06-1515 CRC*	15" Concrete to 15" CI/PL	19.76	502	15.30	389	6.00	152
JTS06-1818 CRC*	18" Concrete to 18" CI/PL	22.60	574	18.78	477	11.00	279
JTS06-2121 CRC*	21" Concrete to 21" CI/PL	26.55	674	21.9	556	11.00	279
JTS06-2424 CRC*	24" Concrete to 24" CI/PL	30.55	776	24.82	630	11.00	279
JTS06-2727CRC*	27" Concrete to 27" CI/PL	34.10	866	27.91	709	11.00	279

\*notes couplings with a flanged bushing

See Product Legend on page 24

## CALDER REPAIR COUPLINGS (CRC)

### JTS51 - SERIES

ASBESTOS CEMENT/DUCTILE IRON TO CAST IRON/PLASTIC		A		B		C	
		INCH	MM	INCH	MM	INCH	MM
JTS51-43 CRC*	4" AC/DI to 3" CI/PL	4.90	124	3.39	86	4.00	102
JTS51-44 CRC*	4" AC/DI to 4" CI/PL	4.90	124	4.21	107	4.00	102
JTS51-54 CRC*	5" AC/DI to 4" CI/PL	5.91	150	4.21	107	6.00	152
JTS51-55 CRC*	5" AC/DI to 5" CI/PL	5.91	150	5.50	140	6.00	152
JTS51-56 CRC	5" AC/DI to 6" CI/PL	5.91	150	6.45	164	6.00	152
JTS51-66 CRC	6" AC/DI to 6" CI/PL	7.10	180	6.45	164	6.00	152
JTS51-86 CRC*	8" AC/DI to 6" CI/PL	9.05	230	6.45	164	6.00	152
JTS51-88 CRC	8" AC/DI to 8" CI/PL	9.05	230	8.50	216	6.00	152
JTS51-1008 CRC*	10" AC/DI to 8" CI/PL	11.15	283	8.50	216	6.00	152
JTS51-1010 CRC*	10" AC/DI to 10" CI/PL	11.15	283	10.75	273	6.00	152
JTS51-1210 CRC*	12" AC/DI to 10" CI/PL	13.25	337	10.75	273	6.00	152
JTS51-1212 CRC*	12" AC/DI to 12" CI/PL	13.25	337	12.53	318	6.00	152
JTS51-1615 CRC*	16" AC/DI to 15" CI/PL	17.75	451	15.30	389	11.00	279
JTS51-1818 CRC*	18" AC/DI to 18" CI/PL	19.55	497	18.78	477	11.00	279

\*notes couplings with a flanged bushing

See Product Legend on page 24

### JTS55 - SERIES

ASBESTOS CEMENT/ DUCTILE IRON TO ASBESTOS CEMENT/DUCTILE IRON		A		B		C	
		INCH	MM	INCH	MM	INCH	MM
JTS55-44 CRC	4" AC/DI to 4" AC/DI	4.90	124	4.90	124	4.00	102
JTS55-54 CRC*	5" AC/DI to 4" AC/DI	5.75	146	4.90	124	6.00	152
JTS55-55 CRC	5" AC/DI to 5" AC/DI	5.75	146	5.75	146	6.00	152
JTS55-66 CRC	6" AC/DI to 6" AC/DI	7.10	180	7.10	180	6.00	152
JTS55-86 CRC*	8" AC/DI to 6" AC/DI	9.05	230	7.10	180	6.00	152
JTS55-88 CRC	8" AC/DI to 8" AC/DI	9.05	230	9.05	230	6.00	152
JTS55-1008 CRC*	10" AC/DI to 8" AC/DI	11.15	283	9.05	230	6.00	152
JTS55-1010 CRC	10" AC/DI to 10" AC/DI	11.15	283	11.15	283	6.00	152
JTS55-1210 CRC*	12" AC/DI to 10" AC/DI	13.25	337	11.15	283	6.00	152
JTS55-1212 CRC	12" AC/DI to 12" AC/DI	13.25	337	13.25	337	6.00	152
JTS55-1616 CRC	16" AC/DI to 16" AC/DI	17.75	451	17.75	451	11.00	279
JTS55-1818 CRC	18" AC/DI to 18" AC/DI	19.55	497	19.55	497	11.00	279

\*notes couplings with a flanged bushing

See Product Legend on page 24

## CALDER REPAIR COUPLINGS (CRC)

### JTS56 - SERIES

CAST IRON/PLASTIC TO CAST IRON/PLASTIC		A		B		C	
		INCH	MM	INCH	MM	INCH	MM
JTS56-15 CRC	1 1/2" to 1 1/2" CI/PL	1.92	49	1.92	49	3.50	89
JTS56-22 CRC	2" to 2" CI/PL	2.42	61	2.42	61	3.50	89
JTS56-33 CRC	3" to 3" CI/PL	3.39	86	3.39	86	4.00	102
JTS56-43 CRC	4" to 3" CI/PL	4.45	113	3.39	86	4.00	102
JTS56-44 CRC	4" to 4" CI/PL	4.45	113	4.45	113	4.00	102
JTS56-54 CRC*	5" to 4" CI/PL	5.50	140	4.45	113	4.00	102
JTS56-55 CRC	5" to 5" CI/PL	5.50	140	5.5	140	4.00	102
JTS56-64 CRC	6" to 4" CI/PL	6.45	164	4.45	113	6.00	152
JTS56-65 CRC	6" Oversize to 5"	6.75	171	5.5	140	6.00	152
JTS56-66 CRC	6" to 6" CI/PL	6.45	164	6.45	164	6.00	152
JTS56-86 CRC*	8" to 6" CI/PL	8.50	216	6.45	164	6.00	152
JTS56-88 CRC	8" to 8" CI/PL	8.50	216	8.55	217	6.00	152
JTS56-1008 CRC*	10" to 8" CI/PL	10.55	268	8.5	216	6.00	152
JTS56-1010 CRC	10" to 10" CI/PL	10.55	268	10.55	268	6.00	152
JTS56-1210 CRC*	12" to 10" CI/PL	12.53	318	10.55	268	6.00	152
JTS56-1212 CRC	12" to 12" CI/PL	12.53	318	12.53	318	6.00	152
JTS56-1512 CRC*	15" to 12" CI/PL	15.30	389	12.53	318	6.00	152
JTS56-1515 CRC	15" SDR 35 (15.3" O.D.)	15.30	389	15.3	389	6.00	152
JTS56-1616 CRC	15" to 15" CI/SCH40 (16.0" O.D.)	15.72	399	16.05	408	6.00	152
JTS56-1815 CRC*	18" to 15" CI/PL	18.78	477	15.3	389	11.00	279
JTS56-1818 CRC	18" to 18" CI/PL	18.78	477	18.78	477	11.00	279
JTS56-2121 CRC	21" to 21" CI/PL	21.90	556	21.9	556	11.00	279
JTS56-2424 CRC	24" to 24" CI/PL	24.82	630	24.82	630	11.00	279
JTS56-2727 CRC	27" to 27" CI/PL	27.91	709	27.91	709	11.00	279

\*notes couplings with a flanged bushing

See Product Legend on page 24



# Large Diameter CALDER Repair Couplings

Large Diameter Repair Couplings repair, replace and rehabilitate large diameter gravity pipe and can be manufactured to suit any outside pipe diameter.

## BENEFITS

- **Accommodating:** Flanged bushings adapt to differences in outside diameters of pipe up to 6" and can be supplied direct to the site.
- **Durable:** Flanged bushings and couplings are manufactured from quality synthetic rubber to withstand corrosive underground conditions.
- **Superior Band Load:** T-Bolt clamps and worm gear tightening devices have multiple adoption points, and are manufactured from medical grade 316 series or 300 series stainless steel straps. T-Bolt tightening devices allow for greater torque capability up to 150 in/lbs.

## FEATURES

- **Standard Couplings** are 11" wide and utilize multiple stainless steel clamps.
- **Custom Large Diameter Couplings** are manufactured to order for pipe with unique dimensions and circumference up to 96". Larger couplings available by special order to meet specific contractor and site requirements.

## OPTIONS

- **Stainless Steel:** ASTM approved 300 series stainless steel shear ring.
- **T-Bolt Clamps:** ASTM approved clamps, 316 stainless steel straps for torque rating of 150 in/lbs.
- Recommended for pipe widths 24" and larger in corrosive underground conditions.

### Specifications

- Coupling: **ASTM C425** and **ASTM C1173**
- Flanged Bushings: **ASTM C425** and **ASTM C1173**
- Stainless Steel: **ASTM A240**





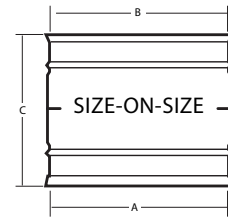
# CALDER Style Couplings

The original CALDER style coupling is manufactured with a special, thick rubber center stop for increased performance.

- Available with removable filler rings
- Sizes from 3" to 8"

## BENEFITS

- Connects clay, plastic, cast iron, ductile iron, asbestos, cement or any other type of pipe
- Adaptable to Western Style Clay Pipe and Eastern Style Clay Pipe
- ASTM C1173 and ASTM C425
- Worm gear and nut & bolt tightening devices available (300 and 316 series stainless steel)
- Accepts Calder Style Bushings
- Precision molded center stop,
- Provides accurate alignment & vibration dampening



JOINTS  
COUPLINGS



CALDER STYLE COUPLINGS WITH CENTER STOP		A		B		C	
		INCH	MM	INCH	MM	INCH	MM
C-100	8" Clay to 8" Clay	10.06	256	10.06	256	3.88	98
C-102	6" Clay to 6" Clay	8.00	203	8.00	203	3.20	81
C-103	6" AC/DI to 6" AC/DI	7.06	179	7.06	179	3.20	81
C-105	4" AC/DI to 4" AC/DI	5.00	127	5.00	127	3.35	85
C-106	4" Clay to 4" Clay	5.38	137	5.38	137	3.35	85
C-107	4" CI/PL to 4" CI/PL	4.50	114	4.50	114	3.35	85
C-109	3" CI/PL to 3" CI/PL	3.50	89	3.50	89	2.45	62
C-151	6" CI/PL to 6" CI/PL	6.30	160	6.30	160	3.20	81
C-153	8" Ci/Pl to 8" CI/PL	8.40	213	8.40	213	3.88	98

See Product Legend on page 24

# CALDER Style Bushings/Filler Rings

Bushings are available as a separate insert (removable filler ring) that fits into a coupling for transitions between dissimilar sized pipe.

## BENEFITS

- Creates a strong, lasting joint connection.
- Largest selection – Smaller bushings are carried in stock and larger diameters are made to order.
- Conforms to ASTM C425 and ASTM C1173.
- Bushing/Filler rings transition between any pipe and size with dissimilar outside diameters.
- Bushings are sized for clay, AC, BEAD, Ductile Iron, Asbestos, Cast Iron (CI), PL, ABS, MEAC, RBAC, PECl



**Specifications**  
 Rubber: Meets **ASTM C425**  
 and **ASTM C1173**.

## CALDER STYLE BUSHINGS/FILLER RINGS

BUSHINGS		O.D.		I.D.	
		INCH	MM	INCH	MM
JOI-112	4" AC to BEAD, CI or MEAC	5.000	127	4.625	117
JOI-113	4" AC to PECl or PL	5.000	127	4.375	111
JOI-115	4" X 3" AC to PECl or PL	5.000	127	3.375	86
JOI-118	4" X 3" CIT (CI, PL) to PECl or ABS	4.500	114	3.350	85
JOI-120	5" X 4" AC to PECl or ABS	6.100	155	4.500	114
JOI-121	4" Clay to PECl or Bald CI	5.380	137	4.375	111
JOI-122	4" Clay to BEAD CI or MEAC	5.380	137	4.625	117
JOI-123	4" Clay to RBAC or CL 150 DI	5.380	137	4.900	124
JOI-124	4" X 3" Clay to PECl	5.380	137	3.375	86
JOI-126	4" X 2" Clay to PECl	5.380	137	2.250	57
JOI-127	6" AC to Abs, BEAD or MEAC	7.100	180	6.625	168
JOI-128	6" AC to PECl or PL	7.100	180	6.375	162
JOI-129	6" Clay to ABS/Sch 40, BEAD, or MEAC	8.000	203	6.625	168
JOI-130	6" Clay to PECl or PL	8.000	203	6.375	162
JOI-131	6" Clay to RBAC, CL 150 DI, or C900	8.000	203	6.900	175

See Product Legend on page 24

**CALDER STYLE BUSHINGS (continued)**

BUSHINGS		O.D.		I.D.	
		INCH	MM	INCH	MM
JOI-132	8" Clay to PL or PECl	10.060	256	8.375	213
JOI-133	8" Clay to BEAD Cl, ABS or MEAC	10.060	256	8.625	219
JOI-134	8" AC to PECl or PL	9.200	234	8.375	213
JOI-135	8" AC to BEAD, ABS/Sch 40, or MEAC	9.200	234	8.625	219
JOI-136	8" Clay to RBAC, CL 150, or C900	10.060	256	9.000	229
JOI-139	4" Clay to ABS or Sch 40	5.380	137	4.500	114
JOI-140	4" AC to ABS	5.000	127	4.500	114
JOI-141	4" X 3" AC to PECl	5.000	127	3.375	86
JOI-142	4" X 3" Clay to ABS	5.380	137	4.010	102
JOI-156	4" Clay to Sdr 35 or PL	5.380	137	4.250	108
JOI-157	4" Clay to C-900	5.380	137	4.750	121
JOI-180	8" X 6" Clay to Clay	10.060	256	8.000	203
JOI-181	8" X 6" Clay to PECl	10.060	256	6.375	162
JOI-182	10" Clay to PL or PECl	12.500	318	10.500	267
JOI-183	10" Clay to BEAD Cl or MEAC	12.500	318	11.800	300
JOI-184	10" Clay to ABS/Sch 40	12.500	318	10.750	273
JOI-185	10" Clay to RBAC, DI or C900	12.500	318	11.100	282
JOI-186	10" AC/DI to PL or PECl	11.100	282	10.500	267
JOI-187	10" AC/DI BEAD Cl or MEAC	11.100	282	10.900	277
JOI-188	10" AC/DI to ABS	11.100	282	10.750	273
JOI-189	12" Clay to PL or PECl	14.500	368	12.500	318
JOI-190	12" Clay to BEAD or MEAC	14.500	368	12.750	324
JOI-191	12" Clay to ABS/Sch 40	14.500	368	12.750	324
JOI-192	12" Clay to RBAC, CL 150, or C900	14.500	368	13.200	335
JOI-193	12" AC/DI to PL or PECl	13.250	337	12.500	318
JOI-194	12" AC/DI to BEAD or MEAC	13.250	337	12.900	328
JOI-195	12" AC/DI TO ABS/SCH 40	13.250	337	12.750	324
JOI-196	15" Clay to PL	18.300	465	15.300	389

See Product Legend on page 24



# Sewer Saddles / Tap-N-Tee Saddles

## BENEFITS

- Provides economical lateral pipe connection for sewer and drain.
- Eliminates strapping around pipe and waiting for epoxies or concrete to dry.
- Connector location decided at time of lateral excavation.
- Eliminates excavation around pipe and disruption of bedding.
- Insures positive watertight, corrosion-resistant and root-free seal.
- Prevents off-set joints and settlement.
- Allows for flexibility and durability during earthquakes and ground movement.
- Prohibits protrusion of lateral pipe into main line.
- Nut and Bolt Clamp Design is more durable than traditional worm drive design. (Worm gear clamps available)

## FEATURES

- Provides indexing dimples for proper alignment visible to television inspections inside the main line pipe.
- TAP-N-TEE lateral connector manufactured from synthetic rubber.
- TAP-N-TEE expansion ring manufactured from precision plastic injection ABS/Sch 40 - Thickwall Plastic.

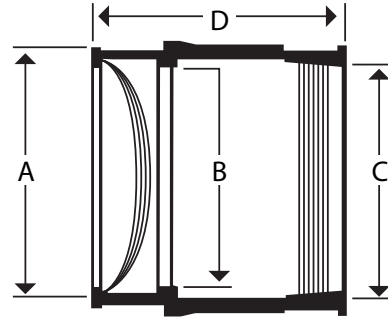
## OPTIONAL FEATURES

- Stainless steel shear bands are available and strongly recommended when resistance to heavy earth load shear forces and improved alignment is required.
- Series 300 or 316 stainless steel available for compression band and shear band.
- TAP-N-TEE fittings accommodate standard bushings/filler rings for the following types of pipe:
  - Cast Iron, Sch 35 PL, Sch 40 PL
  - Thick Wall Plastic, ABS
  - Asbestos Cement / Ductile Iron
  - Eastern Clay Pipe



**Specifications**

- Exceeds **ASTM C923, ASTM C1173, ASTM C25, ASTM A167, ASTM A240/A240M**
- Meets Public Works Construction Standard Specifications (Greenbook)
- Patent #6,113,156



**TAP-N-TEE SADDLE**

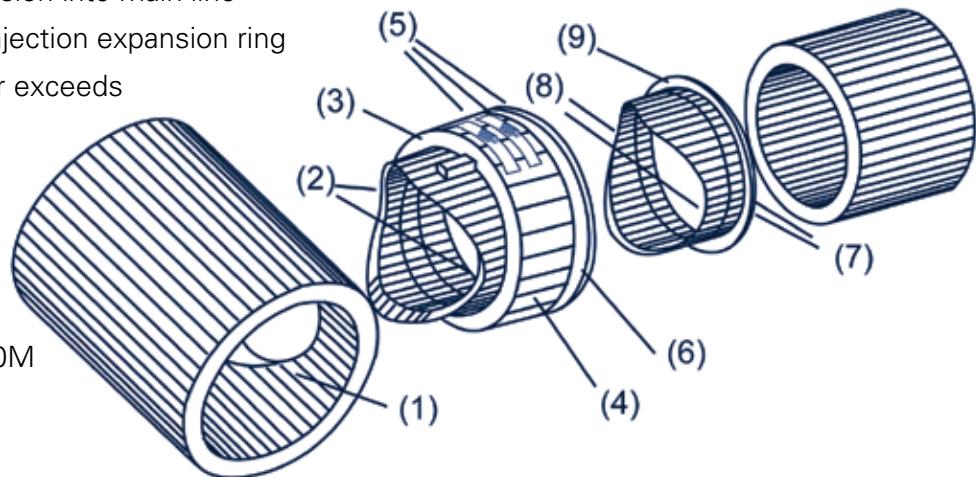
**ACCOMODATES CALDER-STYLE BUSHINGS/FILLER RINGS**

Connector Size	Connector P/N	Suggested Lateral Pipe O.D. Range	Hole/Connector Dimensions				Pipe Clamp P/N	Minimum Pipe I.D.	Minimum Wall Thickness
			A	B	C	D			
4"	4" TAP-N-TEE	5.38"	5.0625"	4.25"	5.38"	6.00"	#90	6"	.50"
6"	6" TAP-N-TEE	8.00"	7.125"	6.38"	8.00"	6.75"	#136	8"	.50"
8"	8" TAP-N-TEE	10.05"	9.125"	8.25"	10.00"	8.00"	#168	10"	.50"

**LEGEND**

1. Core drilled hole
2. Indexing dimples for video camera to check alignment inside the main line
3. TAP-N-TEE® synthetic rubber fitting
4. Integral corrosion resistance, stainless steel shear band
5. Tightening devices
6. Stainless steel compression band
7. Indexing dimples provide guide for proper alignment and installation with flange stopper to prevent lateral and expansion ring protrusion into main line
8. TAP-N-TEE® plastic injection expansion ring
9. TAP-N-TEE® meets or exceeds Greenbook and:

- ASTM C923
- ASTM C1173
- ASTM C425
- ASTM A167
- ASTM A240/A240M



MANUFACTURED  
IN THE USA

# Core Drills

## CORING MACHINES

*Core and Tap* drills are lightweight and portable, allowing the operator to quickly cut pipe underground or aboveground in tight spaces at just about any point during construction. This heavy-duty, semi-automatic machine allows the operator to utilize one machine with interchangeable core bits to drill holes from 1.5" up to 9" in diameter.

Recommended for use on Vitrified Clay, Concrete, Ductile Iron, Cast Iron, C-900, HOBAS and PVC/HDPE Pipe.

	Coring Machine Specifications	
	MILWAUKEE RED	SHIBUYA BLUE
<b>CORING DEPTH</b>	6.5"/165mm	6.5"/165mm
<b>WEIGHT</b>	69 LBS	39 LBS
<b>HEIGHT</b>	32"	28"
<b>WIDTH</b>	12.5"	12.5"
<b>AMPS</b>	20	15
<b>RPM</b>	450/900	850 or 450/900
<b>BIT CAPACITY</b>	1.5" to 9"/38mm to 228mm	1.5" to 9"/38mm to 228mm
<b>SPINDLE</b>	1.25"	1.25"
<b>MOTOR PROTECTION</b>	CLUTCH	CLUTCH
<b>WATER HOOKUP</b>	BUILT IN SWIVEL	BUILT IN SWIVEL

**MILWAUKEE RED**



**SHIBUYA BLUE**



View a video of strapless Coring Machine at  
[www.JointsCouplings.com/Coringmachine.html](http://www.JointsCouplings.com/Coringmachine.html)

[www.JointsCouplings.com](http://www.JointsCouplings.com) • (877) 244-3410 • [info@JointsCouplings.com](mailto:info@JointsCouplings.com)

## JOINTS CORING MACHINES PROVIDE EASY, PRECISE DRILLING

### BENEFITS:

- Electric, portable, self contained one piece unit
- Manual feed
- Self-centering frame for pipe with a minimum diameter of 152mm/6 inches and greater
- Single ratchet tie down available
- Portable 3 gallon pressurized water tank available



*Joints' specially designed coring machine is designed specially for sewer and drain pipe drilling above or below ground.*

### CORE BITS

- Side Gauge Protection
- Designed for Tap-N-Tee Lateral Connection
- Capable of Cutting Western Style Clay, Eastern Style Clay, Concrete, Cast Iron, Sch 35 PL, Sch 40 PL, C-900, Ductile Iron, Asbestos Cement, HOBAS, Orangeburg.



Please contact us regarding the machines' durability for cutting certain types of pipe.

Coring Bits		A		B	
		IN	MM	IN	MM
5" BIT	Designed for use with the 4" Tap-N-Tee	5.0625	129	6.50	165
7" BIT	Designed for use with the 6" Tap-N-Tee	7.125	181	6.50	165
9" bit	Designed for use with the 8" Tap-N-Tee	9.125	232	6.50	165

# Accessories

## TORQUE WRENCH

Joints offers two different Torque Wrenches that are applicable to all products allowing the operator to measure the proper tension and loading for a secure connection.

Each wrench is designed to provide the exact amount of pressure (+/- 4%) necessary to secure each coupling's steel band.

## BENEFITS

- Torque: provides quick, precise tightening.
- Sturdy grip makes tightening simple when checking pressure applied to clamps.



MANUFACTURED  
IN THE USA



**Standard Torque Wrench**  
for 60"/lbs, 5/16 hex-head.



**Double Headed Torque Wrench**  
for 5/16" and 7/16" sizes.

*(Note: 7/16" size is used with  
T-bolt on large diameter couplings)*



## Water Tank

Pressurized tank that supplies water to the coring machine while drilling.

## Product Legend

- ABS/Sch 40** - Thickwall Plastic
- AC** - Asbestos Cement
- CI** - Cast Iron
- CL** - Clay
- DI** - Ductile Iron
- MEAC** - Machined End Asbestos Cement
- PECI** - Plain End Cast Iron
- PL** - Plastic
- RBAC** - Rough Barrel Asbestos Cement



# Technical Information

## The CALDER Difference is Performance

Joints CALDER couplings contain rubber compounds that outperform competitors' plasticized PVC material.

Property	CALDER Compound	Plasticized PVC/ Thermoplastic
Water Resistance	A	A
Ozone	A	A
Animal Fat Resistance	B	D
Vegetable Oil Resistance	B	B
Weathering, Sunlight Aging and Outdoor Use	A	A
Low Temperature Flexibility	A	C
High Temperature Resistance	A	D
Compression Set	A	C
Ammonia	A	A

Ratings: **A** - Excellent, **B** - Good, **C** - Fair, **D** - Poor

**Stainless Steel:** 300 stainless steel compression band and shear band. 316 Stainless Steel compression band and shear band. Both types of stainless steel are available on all metallic components of Joints Couplings. Custom Stainless Steel bands or nut and bolts available upon request.

**Stock Rubber:** EPDM, SBR

**Custom Rubber:** Neoprene, Nitrile, and Viton. Other polymers available.



## OUR ENVIRONMENTAL COMMITMENT

Joints Couplings is committed to preserving and protecting our natural environment for future generations. Please read our environmental commitment statement at:

**[www.JointsCouplings.com/footprint](http://www.JointsCouplings.com/footprint)**

# About Us

## COMMITTED TO OUR CUSTOMERS AND RESPONSIVE TO THEIR NEEDS

**Joins Couplings** specializes in bushings, couplings, sewer and drainpipe products serving contractors, developers and municipalities. We also offer custom mold and extrusion capabilities. Joins created the original CALDER Coupling in the 1940s and has continued to produce innovative products for waste water engineering and all types of subterranean developments. We have grown from a one-man shop to a worldwide distributor by providing resilient, quality products and services with integrity and value. Our couplings are sold in the United States and Canada through manufacturers' representatives and internationally through distributors.

We are guided today by our original values of quality, innovation, integrity and commitment. Discuss your projects with our trained customer service department, manufacturer's representative or local distributor today.

## CODE COMPLIANT CERTIFICATIONS

Couplings, Flanged Bushings and Stainless Steel bands, meet and exceed:

- UPC and ASTM requirements
- "GREENBOOK" Standard Specifications for Public Works Construction

Our products are code compliant with the following local, national and international agencies.



## MEMBER OF THE FOLLOWING TRADE ASSOCIATIONS

We are proud members of the following building trade organizations that are committed around the world to improve product quality, enhance safety, facilitate market access and trade, and build consumer confidence. Along with membership, our employees are in leadership positions with regional associations.

### **National Clay Pipe Institute - [www.NCPI.org](http://www.NCPI.org)**

*The NCPI is the single center for the research and development of clay pipe technology. As a result of this focus and decades of research and development, NCPI has become the authority on Vitrified Clay Pipe. NCPI is available to provide assistance in design, training and evaluation of systems.*

### **American Society for Testing and Materials (ASTM) - [www.ASTM.org](http://www.ASTM.org)**

*ASTM's leadership in international standards development is driven by the contributions of its members, more than 30,000 of the world's top technical experts and business professionals representing 150 countries.*

### **The International Association of Plumbing and Mechanical Officials - [www.IAPMO.org](http://www.IAPMO.org)**

*IAPMO has been protecting the public's health and safety for more than 85 years implementing comprehensive plumbing and mechanical systems around the world.*

**Joins Couplings • 10699 Hickson Street, Suite 20 • El Monte, CA 91731**

[www.JoinsCouplings.com](http://www.JoinsCouplings.com) • (877) 244-3410 • [info@JoinsCouplings.com](mailto:info@JoinsCouplings.com)



## MISSION STATEMENT

- To be an innovative manufacturer of quality, environmentally sound, cost effective products.
- To strive for excellence in our relationships with our customers, vendors and employees.
- To continue to be renowned in the industry of sewer fittings and sewer repair work.
- To deliver uncompromising personalized service.



# JOINTS

COUPLINGS (877) 244-3410

## GUIDE FOR STANDARD PIPE SIZES

MATERIAL	4"	5"	6"	8"	10"	12"	14"	15"	16"	18"	20"	21"	24"	27"
Gladiing McBean Clay	5.313	7.870	10.020	12.470	14.520	18.300	21.870	25.780	28.850	32.770				
Eastern Clay	5.230	7.440	9.840	11.990	14.360	18.200	21.930	25.910						
Pacific Clay	5.360	7.930	9.930	12.880	15.300	18.600	22.400	26.400	30.100	33.900				
Can Clay Denlok	7.638	9.882	11.890	13.819	16.024	19.370	20.512	25.453	25.728	30.079	34.213			
Logan Clay	4.920	7.520	9.700	12.080	14.360	17.800	21.480	25.540	29.300					
Mission Clay	5.370	7.680	9.900	12.430	14.460	18.300	22.300	25.800	30.300					
Mission No Dig			11.188	13.500	15.875	19.813	21.500	25.500	30.250	31.313				
Building Products Clay	5.200	7.750	9.800	12.400	14.400	18.250	22.250	25.880	30.300	33.600				
Service Weight Cast Iron	4.300	5.300	6.300	8.380	10.500	12.500								
No Hub Cast Iron/PECI	4.380	5.300	6.300	8.380	10.560	12.500								
Extra Heavy Cast Iron	4.500	5.500	6.500	8.620	10.750	12.750								
Ductile Iron	4.800	6.900	9.050	11.100	13.200	15.300	17.400	19.500	21.600	25.800				
Stainless Steel/Steel	4.500	5.560	6.620	8.620	10.750	12.750	14.000	16.000	20.000	24.000				
Copper	4.130	5.130	6.130	8.130	10.130									
ABS/Schedule 40 Plastic	4.500	5.560	6.620	8.620	10.750	12.750	14.000	16.000	20.000	24.000				
Thinwall Plastic PVC/SDR 41 (ASTM 3033)	4.210		6.270	8.160	10.200	12.240								
Thinwall Plastic PVC/SDR 35/SDR 26 (ASTM 3034)	4.210		6.270	8.400	10.500	12.500		15.300	18.700	22.050	24.800			
Thinwall Plastic (ASTM 2751)	4.214		6.270	8.400	10.500	12.500								
HDPE	4.500	5.560	6.625	8.625	10.750	12.750	14.000	16.000	20.000	24.000				
C900, C905/Blue Brute	4.800		6.900	9.050	11.100	13.200	15.300	17.400	19.500	21.600	25.800			
Rough Barrell Asbestos Cement - Class 150	5.32		7.36	9.46	11.88	14.11	16.44	18.74						
Machined End Asbestos Cement - Class 150	4.81		6.91	9.11	11.66	13.92	16.22	18.46	22.18	24.66	29.62			
Asbestos Cement Class 1500	4.81		6.92	9.02	11.12	13.22	15.3	16.340	17.38					
Concrete - A wall	MIN 6.00	MIN 6.50	MIN 8.00	MIN 10.25	MIN 12.75	MIN 15.50		MIN 18.75		MIN 22.00		MIN 25.50	MIN 29.00	MIN 32.25
Concrete - B Wall						MIN 16.00		MIN 19.50		MIN 23.00		MIN 26.50	MIN 30.00	MIN 33.50
Concrete - C Wall													MIN 31.50	MIN 35.00
Hobas / CCFP										19.500"	21.600"		25.800"	28.000"

CLAY

METAL

PLASTIC

MISC

**Important:** This chart is based off of information available at the time of publication. Due to occasional changes in diameter by pipe manufactures the pipe O.D. should be measured to ensure accuracy.