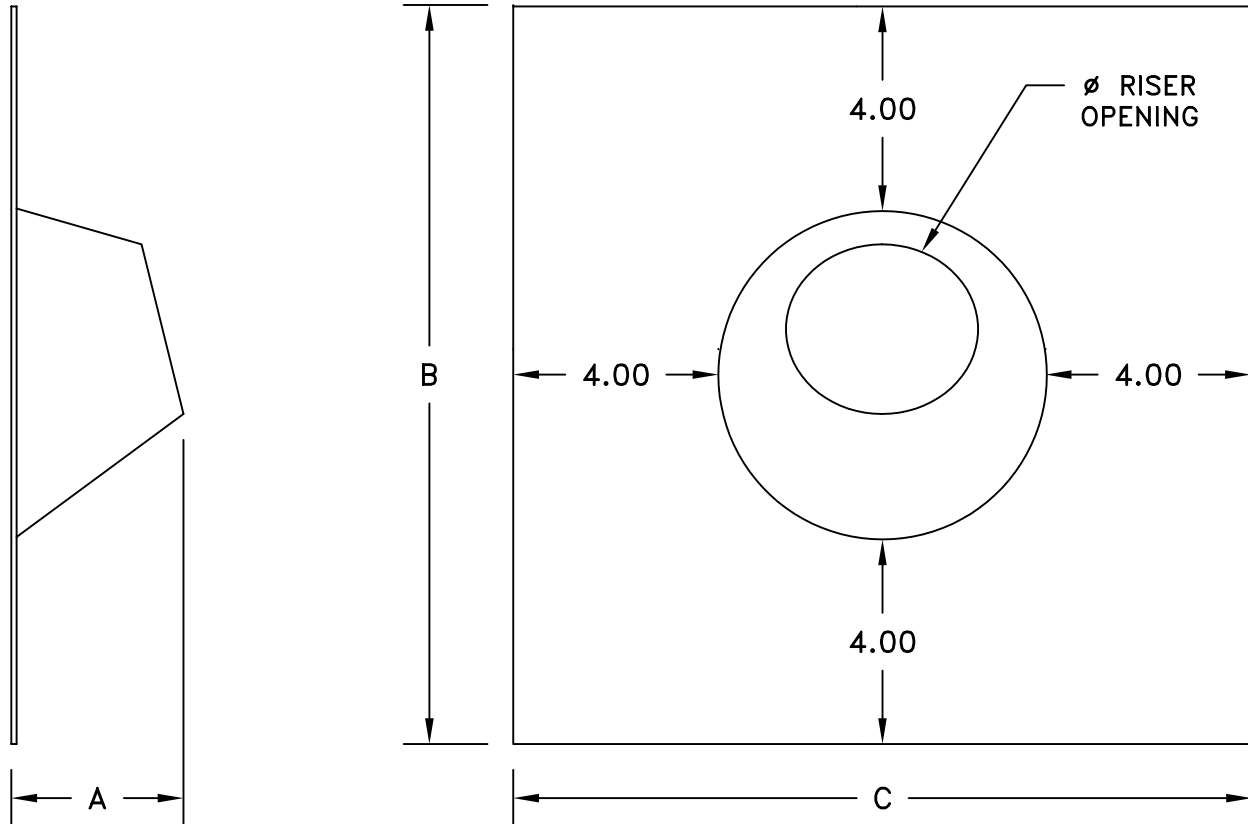


SUBMITTAL DRAWING	JOB NAME: _____	Type B Gas Vent ROUND ALL PITCH HEATER VENT FLASHING-STD 3"-20" DIAMETER
	LOCATION: _____	
DATE: 05/03/05	ARCHITECT: _____	
SUBMITTED BY: _____	ENGINEER: _____	
	CONTRACTOR: _____	DRAWING #: B4-1STD



NOTES:

1. ALL PITCH = FLAT TO 5/12

PART NO.	FOR USE WITH		RISER OPENING	HEIGHT A	HEIGHT B	HEIGHT C
	CONDUCTOR	TRANSITE				
3CF	3"	~	3"	4-3/4"	14-3/4"	12-1/2"
4TF	~	4"	4-1/2"	4-1/2"	16-1/2"	13-3/4"
4CF	4"	~	4"	3-1/2"	14-3/4"	12-1/2"
5CF	5"	~	5"	4-1/2"	15-1/2"	14"
6CF	6"	~	6"	4"	18"	15"
7CF	7"	~	7"	4-3/4"	18-3/4"	16-1/4"
12CF	12"	~	12"	6"	24"	24"
14CF	14"	~	14"	7"	26"	26"
16CF	16"	~	16"	7-1/2"	28-1/2"	28-1/2"
18CF	18"	~	18"	7-3/4"	30"	30"
20CF	20"	~	20"	9-1/4"	32-1/2"	32-1/2"



• MATERIAL
.018 THICK, GALVANIZED STEEL