

SUBMITTAL DRAWING

DATE: 05/03/05

SUBMITTED BY:

JOB NAME: _____

LOCATION: _____

ARCHITECT: _____

ENGINEER: _____

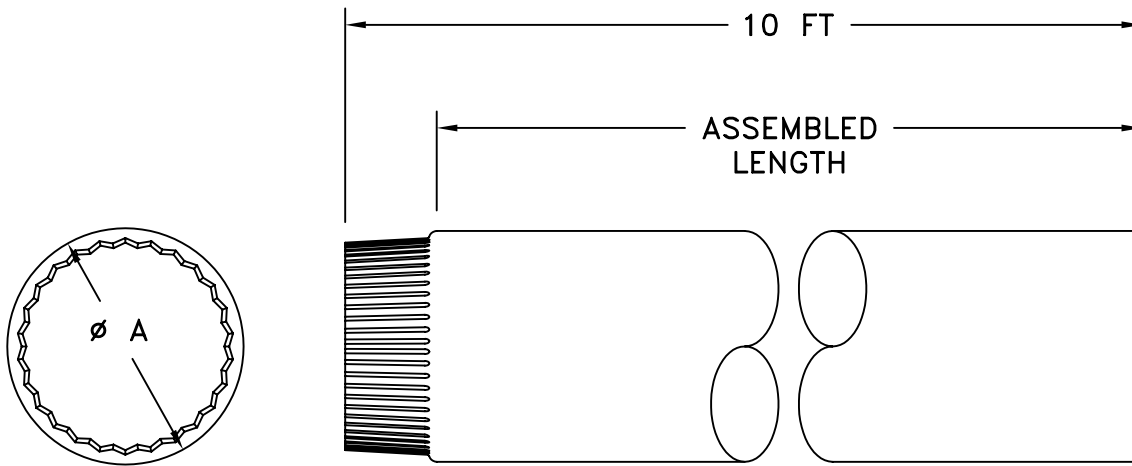
CONTRACTOR: _____

Type B Gas Vent

CONDUCTOR PIPE

3" - 6" DIAMETERS

DRAWING #: B4-10



PART NO.	SIZE	ASSEMBLED LENGTH	ø A
3CP	3" X 10"	9' 10-3/8"	3"
4CP	4" X 10"	9' 10-3/8"	4"
5CP	5" X 10"	9' 10-3/8"	5"
6CP	6" X 10"	9' 10-3/8"	6"



• MATERIAL
.028 THICK, GALVANIZED STEEL