



AMERIVENT®



For Category I, II, III & IV
Heating Appliances

3" through 16" Diameters



AMERICAN METAL®
PRODUCTS GROUP

Edition 1

MODEL SW SINGLE-WALL AL29-4C® SPECIAL GAS VENT

Model SW Special Gas Vent

Table of Contents

INTRODUCTION2-3

STRAIGHT LENGTHS

6" Length 4
 12" Length 4
 18" Length 5
 24" Length 5
 36" Length 6
 48" Length 6
 60" Length 6
 Adjustable Length 7

ELBOWS

15° Elbow 8
 30° Elbow 8
 45° Elbow 9
 70° Elbow 9
 90° Elbow 10

INCREASERS AND REDUCERS

Increaser 11
 Reducer 11

BOOT TEES, TEES AND TEE COVERS

Boot Tee 12
 Tee 13
 Tee for Barometric Damper 13
 Tee Cover 14
 Tee Cover with Drain Fitting 14

A full line of the finest products is yours from American Metal Products.

AmeriVent	All-Fuel Chimney - Model HS/HSS All-Fuel Chimney - Model TLC Black Stovepipe Direct Vent Model CV Special Gas Vent Model SW Special Gas Vent Pellet Pipe Type B Gas Vent
AmeriFlex	Flexible Duct Systems
J&J Register	Light Commercial Grilles, Registers & Diffusers Duct System Components
Lima Register	Residential Grilles, Registers & Diffusers

SUPPORTS

Support Clamp 15
 Vertical Support Leg 15
 1" Clearance Horizontal/Vertical Support 16
 2" Clearance Horizontal Support 16
 6" and 8" Clearance Horizontal Support 17
 2" Clearance Wall Support 17
 Guy Support Section 18

THIMBLES AND PENETRATIONS

Roof Flashing 19
 Pitched Roof Flashing 19
 Tall Cone Flashing 19
 Roof Jack Support System 20
 Horizontal Wall Thimble 21
 Wall Penetration and Horizontal Termination 22
 Wall Penetration Assembly without Screen 23

ACCESSORIES

Horizontal/Vertical In-Line Drain Section 24
 Condensate Drain Tube Kit 24
 Blast Gate 25

TERMINATIONS

Rain Cap and Storm Collar 26
 Tee Termination with Screen 26
 Mitered Termination with Screen 27
 Elbow Termination with Screen 27
 Screen Termination 28
 Storm Collar 28

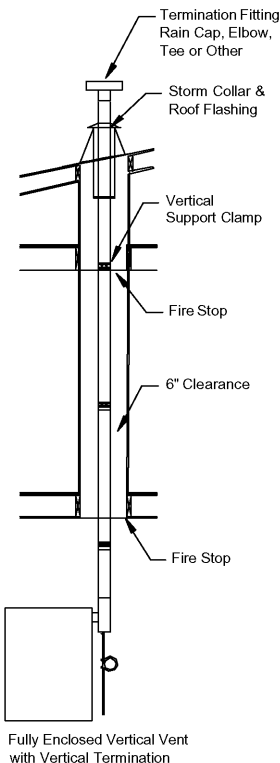
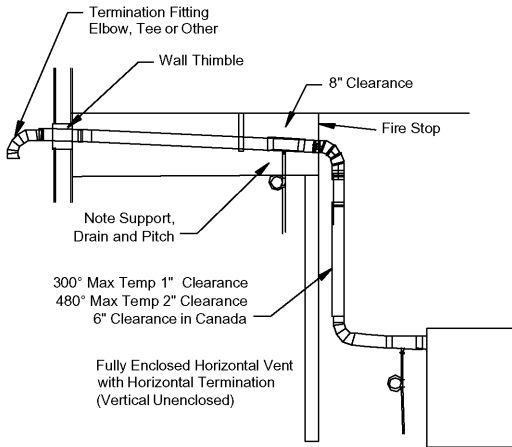
APPLIANCE ADAPTERS

Appliance Adapters by Manufacturer 29-36
 3" Adapters 37-38
 3" Weil-McLain Adapters 39
 4" Adapters 40
 Universal Over-the-Collar Appliance Adapters 41
 Universal Into-the-Flue-Collar Appliance Adapters 41
 Buderus Appliance Adapters 42
 Lochinvar Adapters 42
 Fulton Muffler Adapters 43
 Noritz Adapter 43
 P-K Mach Adapters 43
 Raypak Boiler Adapters 44
 Raypak Vent Cap Adapters 44

Introduction

No SILICONE needed to install Vent System for Category I, II, III & IV Heating Appliances

Available in 3" to 16" Diameter



FEATURES

- AL29-4C® superferritic stainless steel
- Precision laser-welded butt seam
- Factory-adhered gaskets
- Ring & Tab™ locking mechanism
- Standard Adjustable Vent Pipe
- Proven track record

BENEFITS

- All vent pipe and fittings are completely made of AL29-4C®.
- Recognized by the AGA as the material of choice.
- Excellent corrosion resistance and structural strength.
- Seams on vent pipe and components are smooth both inside and out. Gas and watertight.
- System can be taken apart and reassembled quickly.
- No silicone, no cure time, no mess.
- Installs in half the time as field-applied sealant.
- No replaceable gasket to lose.
- Slide ring over tabs and then bend tabs over ring.
- No external clamps to lose.
- Strong rigid connection, best in the industry.
- Provides 6" to 19" of vertical or horizontal adjustment for easy system pitching.
- Tested and listed by Underwriters Laboratories, Inc. to UL 1738 and ULC-S636.
- Tested and approved by heating equipment manufacturers.
- 10-year warranty.

Material Selection

Model SW, single-wall special gas vent and gas vent connector, is produced from a superferritic stainless steel called AL29-4C®. This material is designed for superb resistance to chloride ion pitting, stress corrosion cracking, and crevice corrosion, in addition to general corrosion in oxidizing and moderately reducing environments. This material is perfect for resisting the condensate created by partially and fully condensing gas-fired appliances; however, it is to be used only on natural gas and propane-fired equipment.

Material Thickness AL29-4C®	
3" to 8"	.015"
9" to 16"	.020"

Applications

Model SW is designed for use on ANSI Category I, II, III, IV or in Canada Type BH gas vent systems having an operating temperature of 480°F and a pressure range from -2" w.c. to +8" w.c. For condensing, partially condensing, and noncondensing equipment, Model SW has been tested and listed by Underwriters Laboratories, Inc. to UL 1738 and ULC-S636.

Model SW can be terminated horizontally or vertically for mid-high efficiency gas boilers, furnaces, booster heaters, pool heaters, water heaters, unit heaters, or tankless water heaters. Follow appliance manufacturer's instructions for vent run limitations.

Sizing of Model SW must be done according to the appliance manufacturer's instructions, NFPA 54, NFPA 211, and any other local mechanical code.

Clearances to Combustibles				
Diameter	Maximum Flue Gas Temp (°F)	Orientation	Enclosure	Clearance to Combustible Material
3" to 4"	300	Any	At least one side open, combustible material on a maximum of 3 sides	1" USA 6" Canada
3" to 4"	480	Horizontal, no offsets	Fully enclosed by combustible material on all sides	8" USA and Canada
3" to 4"	480	Horizontal, Vertical with offsets	Fully enclosed by combustible material on all sides	8" USA and Canada
3" to 4"	480	Vertical, no offsets	Fully enclosed by combustible material on all sides	6" USA and Canada
3" to 10"	550	Any	At least one side open, combustible material on a maximum of 3 sides	2" USA 6" Canada
12" +	550	Any	At least one side open, combustible material on a maximum of 3 sides	6" Manufacturer's Recommendation This application is not UL-listed.
3" +	550	Any	Fully enclosed by noncombustible material	0"
5" +	550	Any	Fully enclosed by combustible material on all sides	Not Allowed!

With our line of many special fittings, adapters, and adjustable lengths, Model SW makes any job possible, and allows the appliance start-up procedure to happen immediately after installation.

Installation Made Easy

Model SW features a perfect seam inside and out, which is created on state-of-the-art laser-welding equipment to guarantee perfect dimensions. The pipe ends are processed under extreme quality standards to ensure a perfect fit every time.

The Ring & Tab™ locking mechanism is the key to the strongest vent pipe connection in the industry and upholds the extreme pressure performance created by the integral gasket. The pipes are simply pushed together, and the ring slides down over the tabs. Then the tabs are folded over to make a connection in seconds. Model SW can be disassembled and reassembled in seconds to allow for inspections, maintenance, and/or rerouting of the vent system.



Step 1
Join.



Step 2
Slide ring over tabs.



Step 3
Bend tabs over ring.

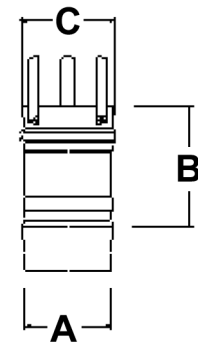
Technical Support

For technical or marketing information, visit our web site at www.americanmetalproducts.com. Call 800.423.4270 to speak with a technical engineer.

6" Length

Install vent with a continuous pitch of ¼" per foot, sloping upward toward the termination, unless otherwise specified by the appliance manufacturer. It is important to provide adequate support to a Model SW special gas vent system. Support horizontal portions of the vent system at 6-foot intervals. Vertical sections should be supported at least every 30 feet and after every offset or transition.

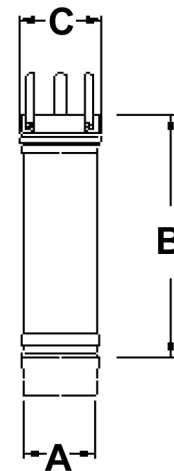
Model Number	A Nominal Diameter	B Installed Length	C Maximum OD
3S6	3	4.5	3.4
4S6	4	4.5	4.4
5S6	5	4.5	5.4
6S6	6	4.5	6.4
7S6	7	4.5	7.4
8S6	8	4.5	8.4
9S6	9	4.5	9.4
10S6	10	4.5	10.4
12S6	12	4.5	12.4
14S6	14	4.5	14.4
16S6	16	4.5	16.4



12" Length

Install vent with a continuous pitch of ¼" per foot, sloping upward toward the termination, unless otherwise specified by the appliance manufacturer. It is important to provide adequate support to a Model SW special gas vent system. Support horizontal portions of the vent system at 6-foot intervals. Vertical sections should be supported at least every 30-feet and after every offset or transition.

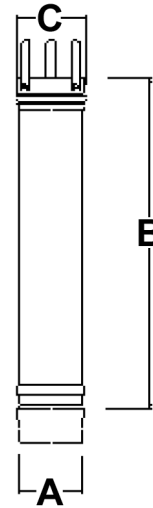
Model Number	A Nominal Diameter	B Installed Length	C Maximum OD
3S12	3	10.5	3.4
4S12	4	10.5	4.4
5S12	5	10.5	5.4
6S12	6	10.5	6.4
7S12	7	10.5	7.4
8S12	8	10.5	8.4
9S12	9	10.5	9.4
10S12	10	10.5	10.4
12S12	12	10.5	12.4
14S12	14	10.5	14.4
16S12	16	10.5	16.4



18" Length

Install vent with a continuous pitch of ¼" per foot, sloping upward toward the termination, unless otherwise specified by the appliance manufacturer. It is important to provide adequate support to a Model SW special gas vent system. Support horizontal portions of the vent system at 6-foot intervals. Vertical sections should be supported at least every 30 feet and after every offset or transition.

Model Number	A Nominal Diameter	B Installed Length	C Maximum OD
3S18	3	16.5	3.4
4S18	4	16.5	4.4
5S18	5	16.5	5.4
6S18	6	16.5	6.4
7S18	7	16.5	7.4
8S18	8	16.5	8.4
9S18	9	16.5	9.4
10S18	10	16.5	10.4
12S18	12	16.5	12.4
14S18	14	16.5	14.4
16S18	16	16.5	16.4



24" Length

Install vent with a continuous pitch of ¼" per foot, sloping upward toward the termination, unless otherwise specified by the appliance manufacturer. It is important to provide adequate support to a Model SW special gas vent system. Support horizontal portions of the vent system at 6-foot intervals. Vertical sections should be supported at least every 30 feet and after every offset or transition.

Model Number	A Nominal Diameter	B Installed Length	C Maximum OD
3S24	3	22.5	3.4
4S24	4	22.5	4.4
5S24	5	22.5	5.4
6S24	6	22.5	6.4
7S24	7	22.5	7.4
8S24	8	22.5	8.4
9S24	9	22.5	9.4
10S24	10	22.5	10.4
12S24	12	22.5	12.4
14S24	14	22.5	14.4
16S24	16	22.5	16.4



36" Length

Install vent with a continuous pitch of ¼" per foot, sloping upward toward the termination, unless otherwise specified by the appliance manufacturer. It is important to provide adequate support to a Model SW special gas vent system. Support horizontal portions of the vent system at 6-foot intervals. Vertical sections should be supported at least every 30 feet and after every offset or transition.

Model Number	A Nominal Diameter	B Installed Length	C Maximum OD
3S36	3	36.0	3.4
4S36	4	36.0	4.4
5S36	5	36.0	5.4
6S36	6	36.0	6.4
7S36	7	36.0	7.4
8S36	8	36.0	8.4
9S36	9	34.5	9.4
10S36	10	34.5	10.4
12S36	12	34.5	12.4
14S36	14	34.5	14.4
16S36	16	34.5	16.4



48" Length

Install vent with a continuous pitch of ¼" per foot, sloping upward toward the termination, unless otherwise specified by the appliance manufacturer. It is important to provide adequate support to a Model SW special gas vent system. Support horizontal portions of the vent system at 6-foot intervals. Vertical sections should be supported at least every 30 feet and after every offset or transition.

Model Number	A Nominal Diameter	B Installed Length	C Maximum OD
3S48	3	46.0	3.4
4S48	4	46.0	4.4

60" Length

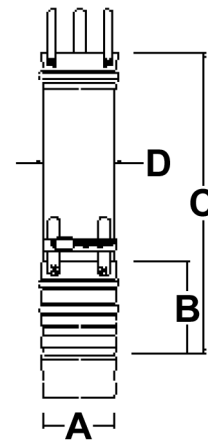
Install vent with a continuous pitch of ¼" per foot, sloping upward toward the termination, unless otherwise specified by the appliance manufacturer. It is important to provide adequate support to a Model SW special gas vent system. Support horizontal portions of the vent system at 6-foot intervals. Vertical sections should be supported at least every 30 feet and after every offset or transition.

Model Number	A Nominal Diameter	B Installed Length	C Maximum OD
3S60	3	59.5	3.4
4S60	4	59.5	4.4

Adjustable Length - adjusts from 6" to 19"

Use to accommodate distances not possible with the standard Model SW lengths. The adjustable section eliminates the need to cut parts to length. The Adjustable Length can have an installed length from 6" to 19". It works best in conjunction with another straight length of Model SW. When used with an elbow or a tee, do not insert the Adjustable Length so far that airflow within the vent becomes obstructed. When planning a venting system, include one slip connector for every change of direction and for any spans between two fixed points. Each adjustable length comes with three components: a slip section, a male connector and a stainless steel hose clamp.

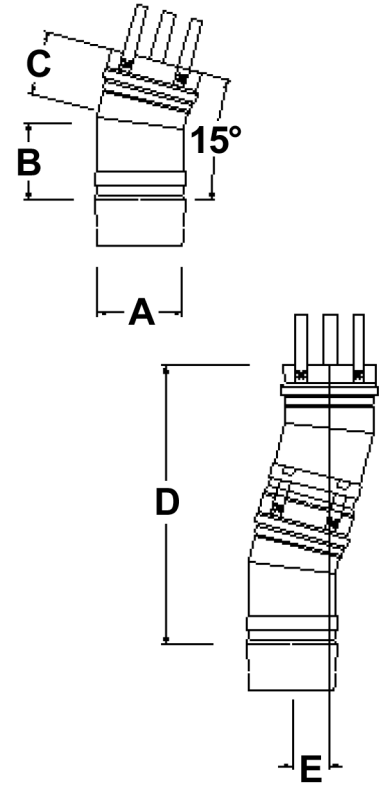
Model Number	A Nominal Diameter	B Minimum Installed Length	C Maximum Installed Length	D Slip Diameter
3SADJ	3.1	6	19	3.00
4SADJ	4	6	19	3.90
5SADJ	5	6	19	4.90
6SADJ	6	6	19	5.87
7SADJ	7	6	19	6.85
8SADJ	8	6	19	7.89
9SADJ	9	6	19	8.86
10SADJ	10	6	19	9.86
12SADJ	12	6	19	11.86
14SADJ	14	6	19	13.87
16SADJ	16	6	19	15.86



15° Elbow

Use to achieve offsets or changes in the direction of the vent system. The degree of these welded-seam elbows is not adjustable. The pressure drop for each elbow is equivalent to 3 feet of vent.

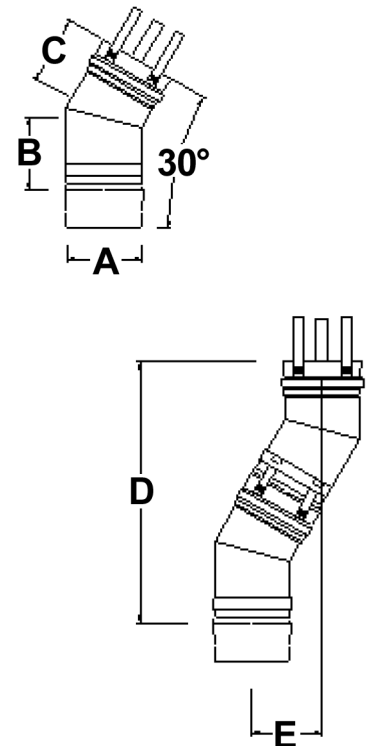
Model Number	A Nominal Diameter	B Rise	C Run	D Combined Installed Height	E Offset
3SE15	3	2.9	2.3	10.6	1.4
4SE15	4	4.3	2.5	13.3	1.8
5SE15	5	4.3	2.6	13.6	1.8
6SE15	6	4.4	2.6	13.8	1.8
7SE15	7	4.5	2.7	14.1	1.9
8SE15	8	4.5	2.8	14.4	1.9
9SE15	9	4.6	2.8	14.6	1.9
10SE15	10	4.7	2.9	14.9	2.0
12SE15	12	4.8	3.0	15.4	2.0
14SE15	14	4.9	3.2	15.9	2.1
16SE15	16	5.1	3.3	16.4	2.2



30° Elbow

Use to achieve offsets or changes in the direction of the vent system. The degree of these welded-seam elbows is not adjustable. The pressure drop for each elbow is equivalent to 3 feet of vent for 3" and 4" diameters and 5 feet for 5" through 16" diameters.

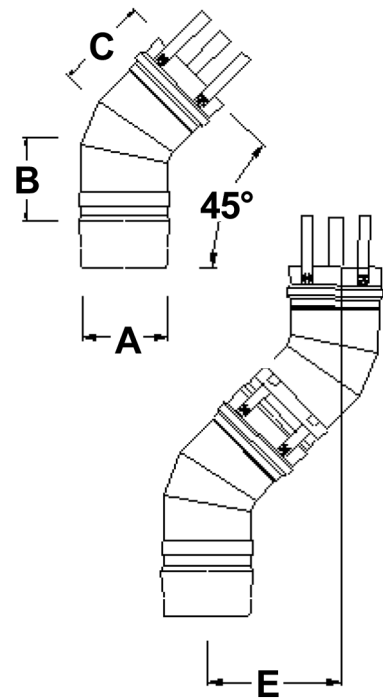
Model Number	A Nominal Diameter	B Rise	C Run	D Combined Installed Height	E Offset
3SE30	3	3.1	2.8	11.0	3.0
4SE30	4	4.5	2.8	13.7	3.7
5SE30	5	4.7	2.9	14.2	3.8
6SE30	6	4.8	3.1	14.7	3.9
7SE30	7	4.9	3.2	15.2	4.1
8SE30	8	5.1	3.3	15.7	4.2
9SE30	9	5.2	3.5	16.2	4.3
10SE30	10	5.3	3.6	16.7	4.5
12SE30	12	5.6	3.9	17.7	4.7
14SE30	14	5.9	4.1	18.7	5.0
16SE30	16	6.1	4.4	19.7	5.3



45° Elbow

Use to achieve offsets or changes in the direction of the vent system. The degree of these welded-seam elbows is not adjustable. The pressure drop for each elbow is equivalent to 5 feet of vent for 3" and 4" diameters and 8 feet for 5" through 16" diameters.

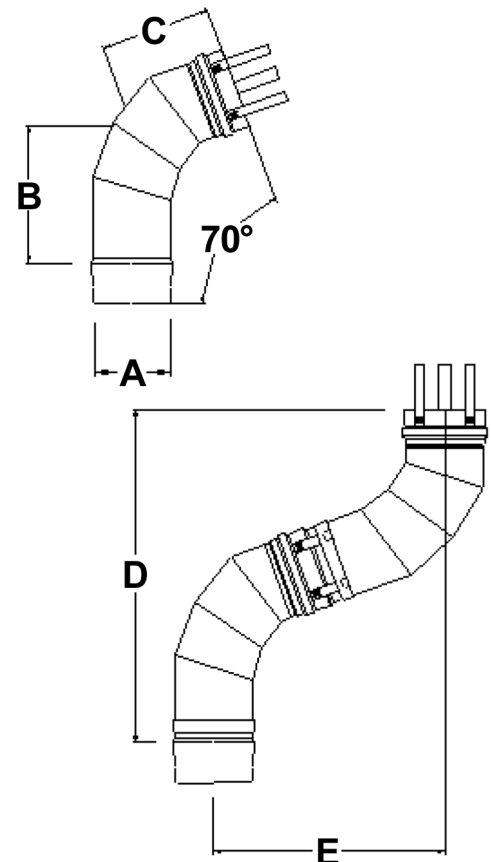
Model Number	A Nominal Diameter	B Rise	C Run	D Combined Installed Height	E Offset
3SE45	3	3.9	3.3	13.1	5.5
4SE45	4	5.9	4.4	17.6	7.3
5SE45	5	6.1	4.6	18.3	7.6
6SE45	6	6.3	4.8	19.0	7.9
7SE45	7	6.5	5.0	19.7	8.2
8SE45	8	6.7	5.2	20.4	8.5
9SE45	9	6.9	5.4	21.1	8.8
10SE45	10	7.7	6.2	23.6	9.8
12SE45	12	8.1	6.6	25.0	10.4
14SE45	14	8.5	7.0	26.5	11.0
16SE45	16	8.9	7.4	27.9	11.5



70° Elbow

Use to achieve offsets or changes in the direction of the vent system. The degree of these welded-seam elbows is not adjustable. The pressure drop for each elbow is equivalent to 8 feet of vent for 3" and 4" diameters and 12 feet for 5" through 16" diameters.

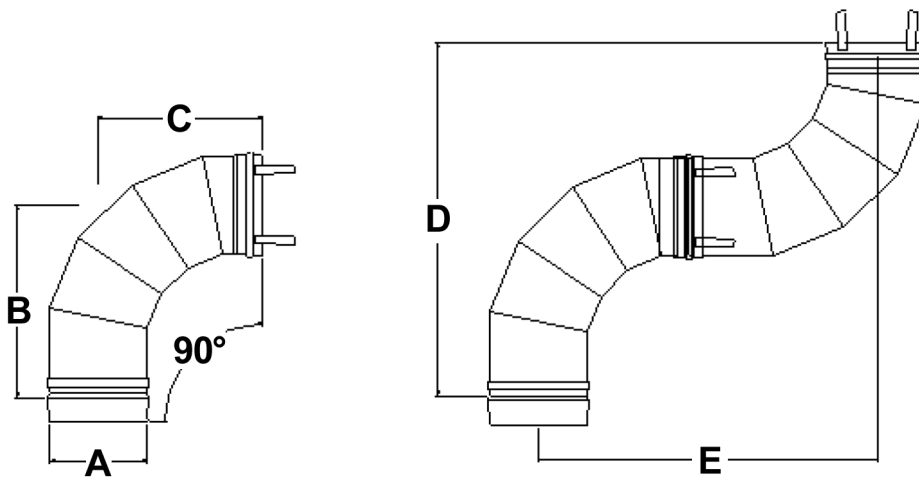
Model Number	A Nominal Diameter	B Rise	C Run	D Combined Installed Height	E Offset
3SE70	3	5.6	4.4	14.0	9.4
4SE70	4	7.7	6.2	18.7	13.1
5SE70	5	8.1	6.6	19.6	13.7
6SE70	6	8.4	6.9	20.5	14.4
7SE70	7	8.8	7.3	21.5	15.0
8SE70	8	9.1	7.6	22.4	15.7
9SE70	9	9.5	8.0	23.4	16.4
10SE70	10	11.0	9.5	27.5	19.3
12SE70	12	11.6	9.7	28.6	20.0
14SE70	14	12.4	10.9	31.3	21.9
16SE70	16	13.1	11.6	33.2	23.2



90° Elbow

Use to achieve offsets or changes in the direction of the vent system. The degree of these welded-seam elbows is not adjustable. The pressure drop for each elbow is equivalent to 10 feet of vent for 3" and 4" diameters and 15 feet for 5" through 16" diameters.

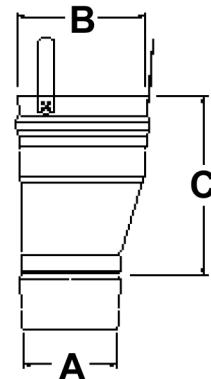
Model Number	A Nominal Diameter	B Rise	C Run	D Combined Installed Height	E Offset
3SE90TR	3	4.9	4.9	9.8	9.8
3SE90LR	3	7.1	6.5	13.5	13.5
4SE90TR	4	6.6	5.7	12.8	12.8
4SE90LR	4	10.0	8.3	18.3	18.3
5SE90	5	10.5	8.8	19.3	19.3
6SE90	6	11.0	9.3	20.3	20.3
7SE90	7	11.5	9.8	21.3	21.3
8SE90	8	12.0	10.3	22.3	22.3
9SE90	9	12.5	10.8	23.3	23.3
10SE90	10	15.0	13.3	28.5	28.5
12SE90	12	16.0	14.5	30.5	30.5
14SE90	14	17.0	15.5	32.5	32.5
16SE90	16	18.0	16.5	34.5	34.5



Increaser

Use to upsize a vent system. The term “increaser” is based on an increase in vent diameter in the direction of flue gas motion. Increasers are eccentric to allow for proper drainage of condensate when installed horizontally. Other diameter configurations may be available; please contact American Metal Products’ Engineering Team to discuss your special needs.

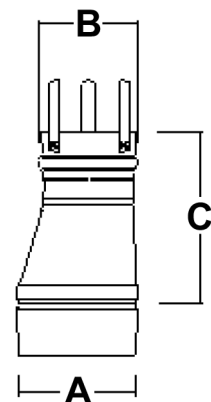
Model Number	A Inlet Diameter	B Outlet Diameter	C Installed Length
3SI4	3	4	6.0
4SI5	4	5	10.5
4SI6	4	6	10.5
5SI6	5	6	10.5
6SI7	6	7	10.5
6SI8	6	8	10.5
6SI10	6	10	16.5
7SI8	7	8	10.5
8SI10	8	10	10.5
8SI12	8	12	16.5
9SI10	9	10	10.5
10SI12	10	12	10.5
10SI14	10	14	16.5
12SI14	12	14	10.5
14SI16	14	16	10.5



Reducer

Use to downsize a vent system. A reducer may only be used when specified or allowed by the appliance manufacturer. The term “reducer” is based on a reduction in vent diameter in the direction of flue gas motion. Reducers are eccentric to allow for proper drainage of condensate when installed horizontally. Other diameter configurations may be available; please contact American Metal Products’ Engineering Team to discuss your special needs.

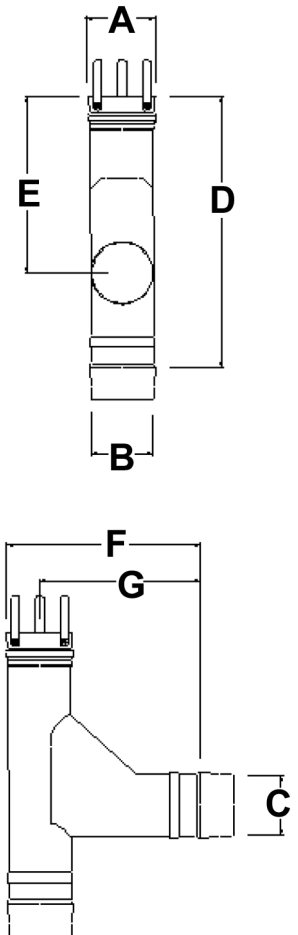
Model Number	A Inlet Diameter	B Outlet Diameter	C Installed Length
4SR3	4	3	6.0
5SR4	5	4	10.5



Boot Tee

Use vertically or horizontally to add appliances into a common-vent system. When installed horizontally, the male end of the tee body may be capped off with a tee cover to allow for future appliances. When used in conjunction with a drain tee cover, the boot tee will effectively transition a vent system from a horizontal to a vertical orientation, while allowing for proper condensate drainage. The pressure drop for this fitting is equivalent to 15 feet of vent. Other diameter configurations may be available; please contact American Metal Products' Engineering Team to discuss your special needs.

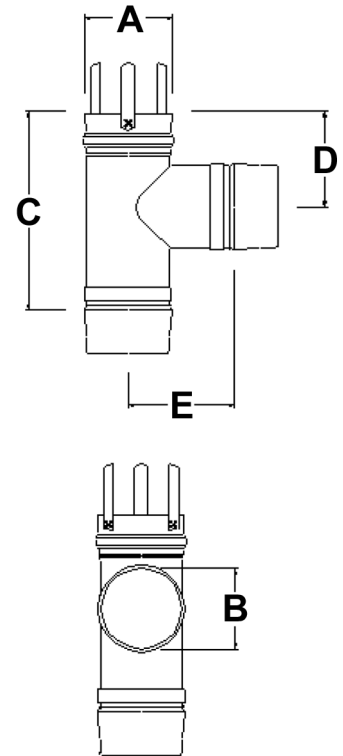
Model Number	A	B	C	D	E	F	G
	Out	In	Tap				
Nominal Diameters							
3STB3	3	3	3	13.5	8.5	9.5	8.0
4STB3	4	4	3	12	8.5	11.0	9.0
4STB4	4	4	4	16.5	11.0	12.5	10.5
5STB5	5	5	5	17.5	11.5	14.0	11.5
6STB4	6	6	4	16.5	11.0	15.0	12.0
6STB6	6	6	6	18.5	12.0	15.0	12.0
7STB7	7	7	7	19.5	12.5	16.0	12.5
8STB4	8	8	4	16.5	11.0	17.0	13.0
8STB6	8	8	6	18.5	12.0	17.0	13.0
8STB8	8	8	8	20.5	13.0	17.0	13.0
9STB9	9	9	9	21.5	13.5	18.0	13.5
10STB4	10	10	4	16.5	11.0	19.0	14.0
10STB6	10	10	6	18.5	12.0	19.0	14.0
10STB8	10	10	8	20.5	13.0	19.0	14.0
10STB10	10	10	10	22.5	14.0	19.0	14.0
12STB4	12	12	4	16.5	11.0	21.0	15.0
12STB6	12	12	6	18.5	12.0	21.0	15.0
12STB8	12	12	8	20.5	13.0	21.0	15.0
12STB12	12	12	12	24.5	15.0	21.0	15.0
14STB4	14	14	4	16.5	11.0	23.0	16.0
14STB6	14	14	6	18.5	12.0	23.0	16.0
14STB8	14	14	8	20.5	13.0	23.0	16.0
14STB10	14	14	10	22.5	14.0	23.0	16.0
14STB12	14	14	12	24.5	15.0	23.0	16.0
14STB14	14	14	14	26.5	16.0	23.0	16.0
16STB8	16	16	8	20.5	13.0	25.0	17.0
16STB10	16	16	10	22.5	14.0	25.0	17.0
16STB12	16	16	12	24.5	15.0	25.0	17.0
16STB16	16	16	16	28.5	17.0	25.0	17.0



Tee

A tee, when installed horizontally, may be fitted with a drain tee cover to create a condensate drain. Due to its high pressure drop, the tee generally is not used to make a transition from horizontal to vertical. (Use a boot tee or an elbow.) The takeoffs are not removable on these tees.

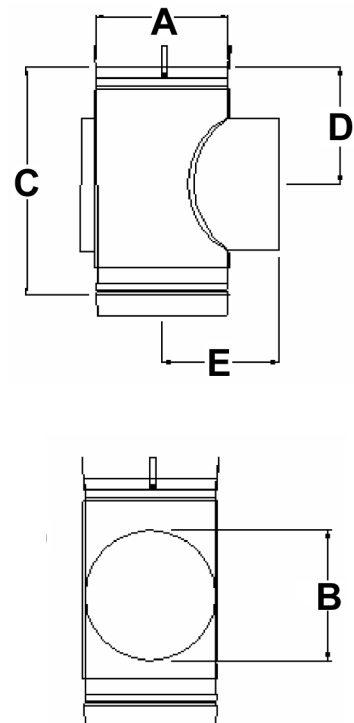
Model Number	A Nominal Body Diameter	B Nominal Tap Diameter	C Installed Length	D Centerline of Tap to Outlet	E Installed Distance from Tap to Body Centerline
3ST3	3	3	7.5	3.5	4.3
4ST4	4	4	8.4	4.0	4.4
5ST3	5	3	9.5	4.5	6.5
5ST4	5	4	10.5	5.0	6.5
5ST5	5	5	9.5	5.5	6.5
6ST3	6	3	9.5	4.5	7.0
6ST4	6	4	10.5	5.0	7.0
6ST5	6	5	11.5	5.5	7.0
6ST6	6	6	10.5	6.0	7.0
7ST7	7	7	11.5	6.5	7.5
8ST8	8	8	12.5	7.0	8.0
10ST10	10	10	16.5	9.0	9.0



Tee for Barometric Damper

Use to attach a standard barometric damper (supplied by others) to the vent system. Use only if recommended by the appliance manufacturer and a qualified designer of vent systems.

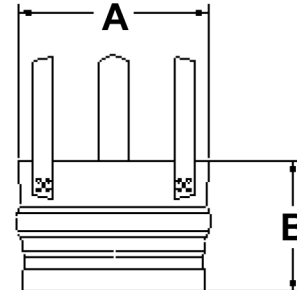
Model Number	A Nominal Body Diameter	B Nominal Tap Diameter	C Installed Length	D Centerline of Tap to Outlet	E Installed Distance from Tap to Body Centerline
6STBR6	6	6	13.5	6.0	6.0
7STBR7	7	7	14.5	6.5	7.0
8STBR8	8	8	15.5	7.0	8.0
9STBR9	9	9	16.5	7.5	9.0
10STBR10	10	10	17.5	8.0	10.0
12STBR12	12	12	19.5	9.0	11.0
14STBR14	14	14	21.5	10.0	14.0
16STBR16	16	16	23.5	11.0	16.0



Tee Cover

Used to cap off the male end of a tee that is installed horizontally. The combination of a tee and a tee cover allows easy access for the periodic inspection of the vent system.

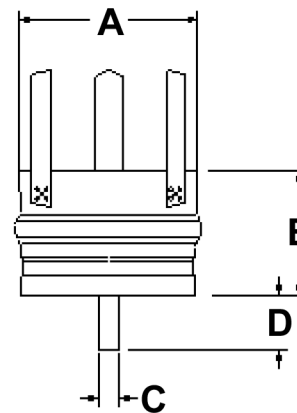
Model Number	A Nominal Diameter	B Height
3STC	3	2.5
4STC	4	2.5
5STC	5	2.5
6STC	6	2.5
7STC	7	2.5
8STC	8	2.5
9STC	9	2.5
10STC	10	2.5
12STC	12	2.5
14STC	14	2.5
16STC	16	2.5



Tee Cover with Drain Fitting

Use at the base of a tee or boot tee to drain away condensate from a vent system. This type of tee cover may also be used on the leg of a tee that is installed horizontally, to create a drain in a horizontal run. High-temperature silicone rubber tubing is available separately from American Metal Products. See page 24.

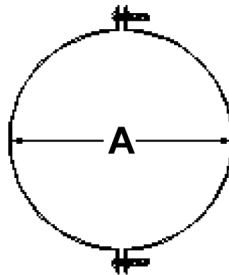
Model Number	A Nominal Diameter	B Height	C Drain Diameter OD	D Drain Length
3STCC	3	2.5	0.38	1
4STCC	4	2.5	0.38	1
5STCC	5	2.5	0.38	1
6STCC	6	2.5	0.38	1
7STCC	7	2.5	0.38	1
8STCC	8	2.5	0.38	1
9STCC	9	2.5	0.50	1
10STCC	10	2.5	0.50	1
12STCC	12	2.5	0.50	1
14STCC	14	2.5	0.50	1
16STCC	16	2.5	0.50	1



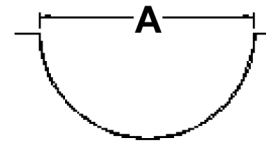
Support Clamp

For use on horizontal systems to provide support at the required 6-foot intervals. Support clamps by themselves do not maintain the necessary clearances to combustible materials; be sure to consider clearances when planning the system. Support clamps are sold in pairs, with two half-shells and two 1/4-20 nuts and bolts. This part is made from 18-gauge Type 304 stainless steel, and should not be installed in the direct path of flue gases. **Never drill or screw through the Model SW conduit.**

Model Number	A Nominal Diameter
3SCS	3
4SCS	4
5SCS	5
6SCS	6
7SCS	7
8SCS	8
9SCS	9
10SCS	10
12SCS	12
14SCS	14
16SCS	16



Support clamps are used in pairs to clamp around the vent and suspend from a single rod or cable.

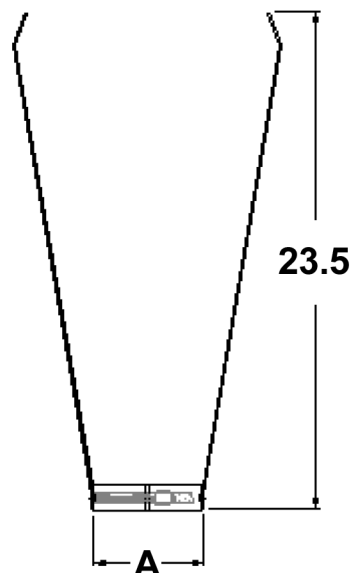


Support clamps are used singularly as a saddle to rest the vent in; suspend from two rods or cables.

Vertical Support Leg

For use on vertical systems to provide support. The 20-gauge stainless steel support legs can be used below or above the roof, and can be used in pairs for extra stabilization. Hardware is not provided for attaching the support to the structure. Attach using best construction methods. Be sure to consider clearances when planning the system. **Never drill or screw through the Model SW vent conduit.** May be also used horizontally.

Model Number	A Hose Clamp Diameter
3SVS	3.5
4SVS	4.5

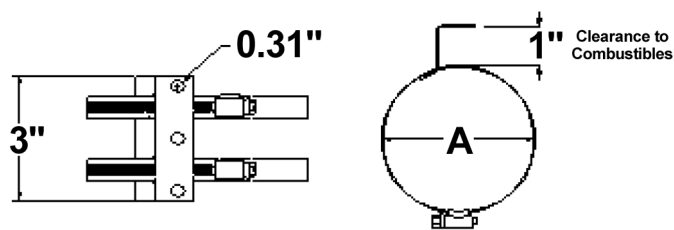


1" Clearance Horizontal/Vertical Support

Provides support to 3" and 4" diameter Model SW systems with a 300°F maximum flue gas temperature. When any horizontal run of Model SW extends for more than 6 feet, a horizontal support must be installed. Subsequent supports are required after every additional 6 feet, and every elbow and tee. **Never drill or screw through the Model SW conduit.**

The 1" clearance may be achieved ONLY when the vent is NOT fully enclosed. There may be combustible material on a maximum of three sides. This support is not recommended for use in Canada, unless additional provisions are made to ensure that proper clearances are maintained. Combustible material is defined by the NFPA as any material that is capable of being ignited and burned. Common paper-faced sheetrock is considered a combustible material.

Model Number	A Hose Clamp Diameter
3SH1	3.5
4SH1	4.5

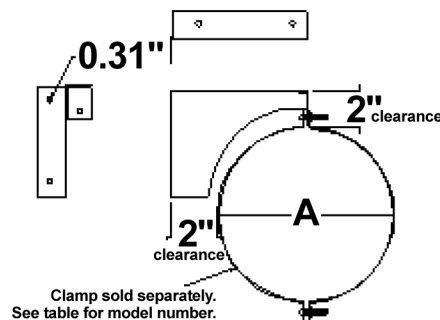


2" Clearance Horizontal Support

Provides support to Model SW systems with a 550°F maximum flue gas temperature. When any horizontal run of Model SW extends for more than 6 feet, a horizontal support must be installed. Subsequent supports are required after every additional 6 feet, and every elbow and tee. **Never drill or screw through the Model SW conduit.**

The 2" clearance may be achieved ONLY when the vent is NOT fully enclosed. There may be combustible material on a maximum of three sides. This support is not recommended for use in Canada, unless additional provisions are made to ensure that proper clearances are maintained. Combustible material is defined by the NFPA as any material that is capable of being ignited and burned. Common paper-faced sheetrock is considered a combustible material.

Model Number	A Nominal Diameter	Clamp Model Number (sold separately)
3SH2	3	3SCS
4SH2	4	4SCS
5SH2	5	5SCS
6SH2	6	6SCS
7SH2	7	7SCS
8SH2	8	8SCS
9SH2	9	9SCS
10SH2	10	10SCS

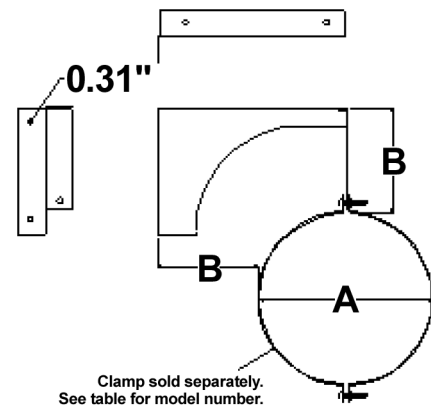


6" and 8" Clearance Horizontal Support

Provides support to 3" and 4" diameter Model SW systems. When any horizontal run of Model SW extends for more than 6 feet, a horizontal support must be installed. Subsequent supports are required after every additional 6 feet, and every elbow and tee. **Never drill or screw through the Model SW conduit.**

The 6" clearance horizontal support may be used in Canada on Model SW systems with a 300°F maximum flue gas temperature when the vent is NOT fully enclosed. There may be combustible material on a maximum of three sides. The 8" clearance horizontal support may be used in the USA and Canada on Model SW systems with a 480°F maximum flue gas temperature when the vent is fully enclosed by combustible materials. Combustible material is defined by the NFPA as any material that is capable of being ignited and burned. Common paper-faced sheetrock is considered a combustible material.

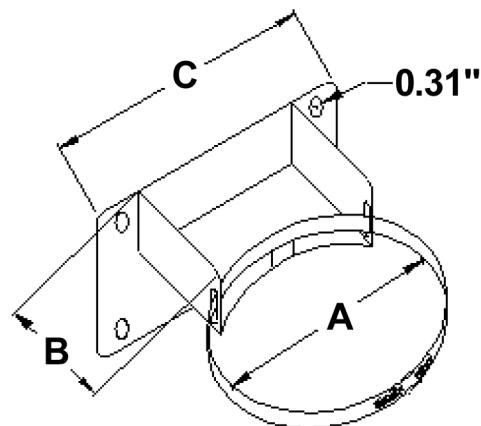
Model Number	A Nominal Diameter	B Clearance Provided	Clamp Model Number (sold separately)
3SH6	3	6	3SCS
3SH8	3	8	4SCS
4SH6	4	6	5SCS
4SH8	4	8	6SCS



2" Clearance Wall Support

Use to provide support to Model SW systems while maintaining 2" clearance to combustibles. At a minimum, vertical supports are required immediately after any transition to a vertical run of more than 10 feet, after any offset in a vertical run, and after every 30 feet of vertical run. These supports may also be used to support long horizontal runs, which require support every 6 feet.

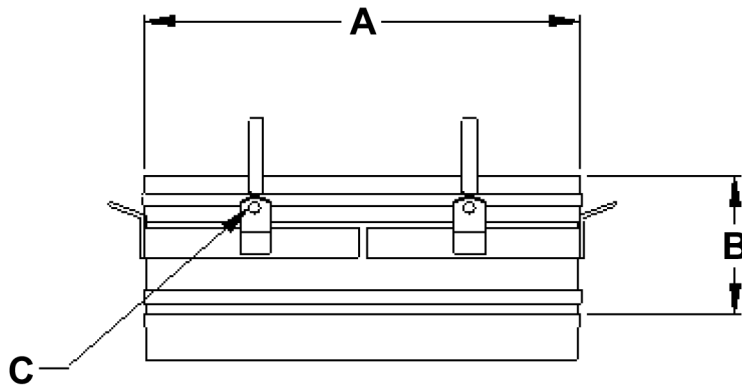
Model Number	A Maximum Vent OD	B Clearance to Combustibles	C Bracket Width
5SWS	5.3	2	7.75
6SWS	6.3	2	8.40
7SWS	7.3	2	9.00
8SWS	8.3	2	9.50
9SWS	9.3	2	10.00
10SWS	10.3	2	10.25



Guy Support Section

Provides vertical support using a part that is a flue-gas-carrying component of the vent system. Guy sections are primarily installed in long, inaccessible chases or used to provide support to systems with extended lengths above the roofline. Attach the guy section using stainless steel or galvanized cables or chain (supplied by others).

Model Number	A Nominal Diameter	B Installed Height	C Hole Diameter
3SGS	3	4.5	0.38
4SGS	4	4.5	0.38
5SGS	5	4.5	0.38
6SGS	6	4.5	0.38
7SGS	7	4.5	0.38
8SGS	8	4.5	0.38
9SGS	9	4.5	0.38
10SGS	10	4.5	0.38
12SGS	12	4.5	0.38
14SGS	14	4.5	0.38
16SGS	16	4.5	0.38



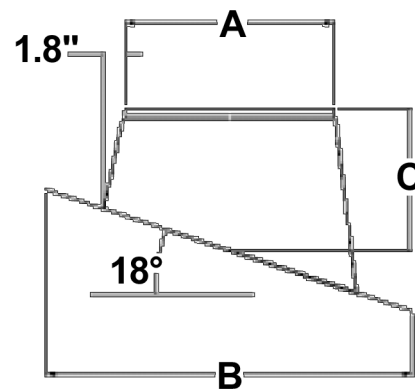
Roof Flashing

Standard roof flashings available from local plumbing suppliers may be used on Model SW systems with vertical terminations. Clearances to combustibles will still apply. To properly support the system, separate supports may be required above or below the roofline.

Pitched Roof Flashing

For use with Model SW systems with vertical terminations. Can be used on roofs with a 2/12 to 8/12 pitch. This part comes with a tall storm collar, and is made of stainless steel construction. Clearances to combustibles still apply when passing through a combustible roof.

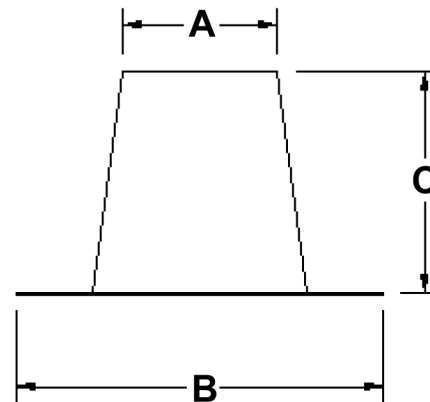
Model Number	Vent Diameter	A Top of Cone Opening	B Face Plate Square	C Overall Height
3SFA	3	4.5	25	12
4SFA	4	5.5	26	12
5SFA	5	6.5	27	12
6SFA	6	7.7	28	12



Tall Cone Flashing

For use with Model SW systems with vertical terminations. Can be used on flat roofs or slightly pitched roofs. This part comes with a tall storm collar, and is made of stainless steel construction. Clearances to combustibles still apply when passing through a combustible roof.

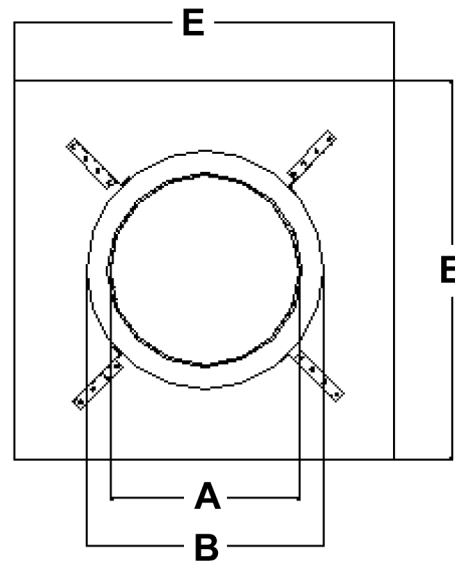
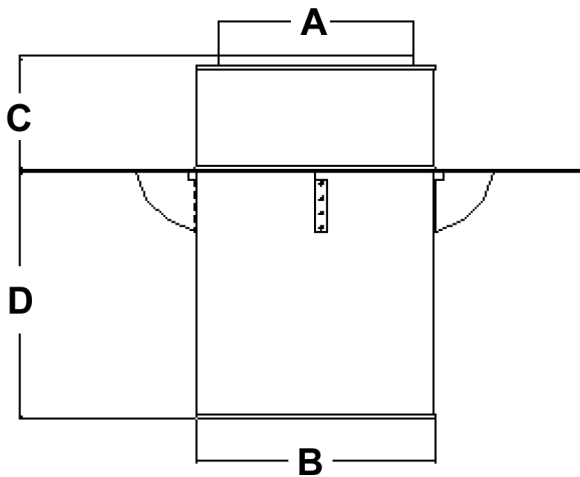
Model Number	Vent Diameter	A Top of Cone Opening	B Face Plate Square	C Overall Height
3SFF	3	4.0	24	12
4SFF	4	5.0	25	12
5SFF	5	6.0	26	12
6SFF	6	7.0	27	12
7SFF	7	8.0	28	12



Roof Jack Support System

For use with single-wall or double-wall systems with vertical terminations. Use to pass through combustible and noncombustible roof structures. The roof jack support system must be installed on a flat roof or a level curb only. Each roof jack support system includes a storm collar that provides support and, when sealed, acts as a water barrier.

Model Number	Nominal Diameter	A ID of Roof Jack	B OD of Roof Jack	C Height Above Roofline	D Height Below Roofline	E Plate Size
3SRS	3	3.6	6.1	7.25	15	18
4SRS	4	4.5	7.1	7.25	15	18
5SRS	5	5.5	8.1	7.25	15	18
6SRS	6	6.5	9.1	7.25	15	24
7SRS	7	7.5	10.1	7.25	15	24
8SRS	8	8.5	11.1	7.25	15	24
9SRS	9	9.5	12.1	7.25	15	24
10SRS	10	10.5	13.1	7.25	15	24
12SRS	12	12.5	15.1	7.25	15	24
14SRS	14	14.5	17.1	7.25	15	24
16SRS	16	16.5	19.1	7.25	15	27



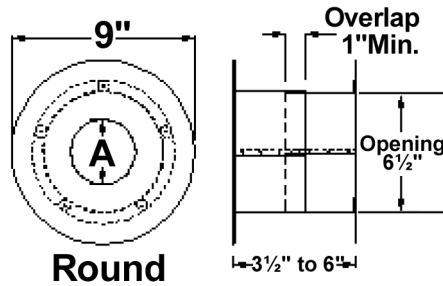
Horizontal Wall Thimble

Use to penetrate any interior or exterior combustible or noncombustible wall. This part is a thimble only and does not include any vent. Be sure to order enough vent to pass through the thimble.

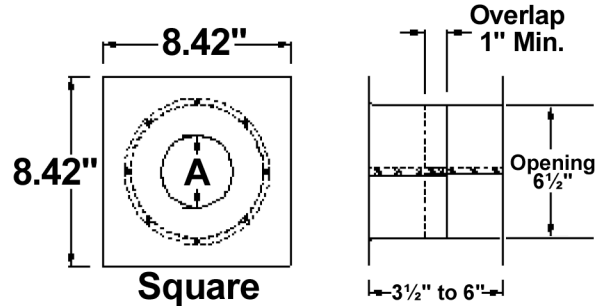
To use this thimble, the vent must be uninsulated for a minimum distance prior to passing through a combustible wall. A minimum distance of 18" is required for appliance flue gas temperatures up to 400°F. A minimum distance of 6 feet is required for appliance flue gas temperatures of 400°F to 480°F.

The opening must be 6½" in diameter for both 3" or 4" diameter Model SW systems. The wall thimble is designed to adapt to any wall thickness from 3½" to 6" thick. If the wall is thicker than 6", the thimble may be extended using a piece of 6" diameter snap-lock or welded-seam galvanized pipe. The vent system may be terminated using any terminal listed for use with the appliance. The wall thimble may be painted to match the decor.

Model Number	A Face Plate Hole Diameter	Face Plate Shape
3SWTR	3.28	Round
4SWTR	4.25	Round



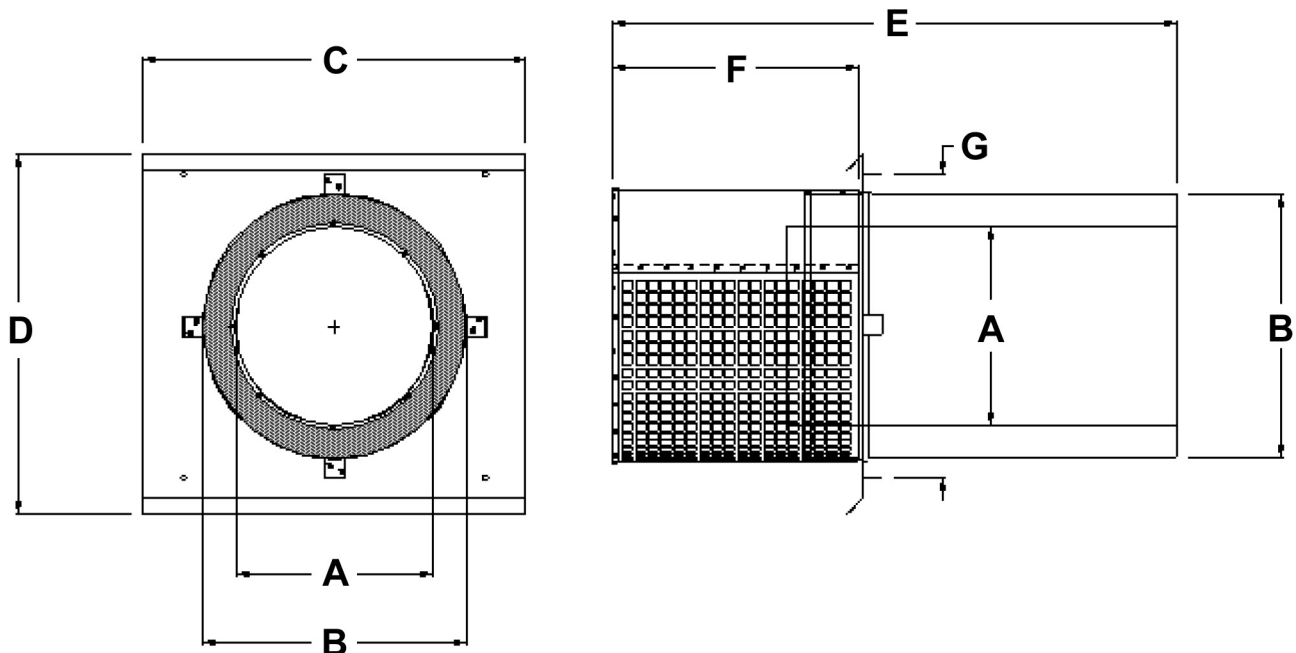
Model Number	A Face Plate Hole Diameter	Face Plate Shape
3SWTS	3.28	Square
4SWTS	4.25	Square



Wall Penetration and Horizontal Termination

For Model SW systems with horizontal terminations. Use to penetrate any combustible or noncombustible wall. This part is a thimble only and does not include any vent. Order enough vent to pass through the thimble, and extend 4" to 8" beyond the building sheathing. Includes an AL29-4C® screen cover to terminate the vent system. The assembly may be painted to match the exterior decor.

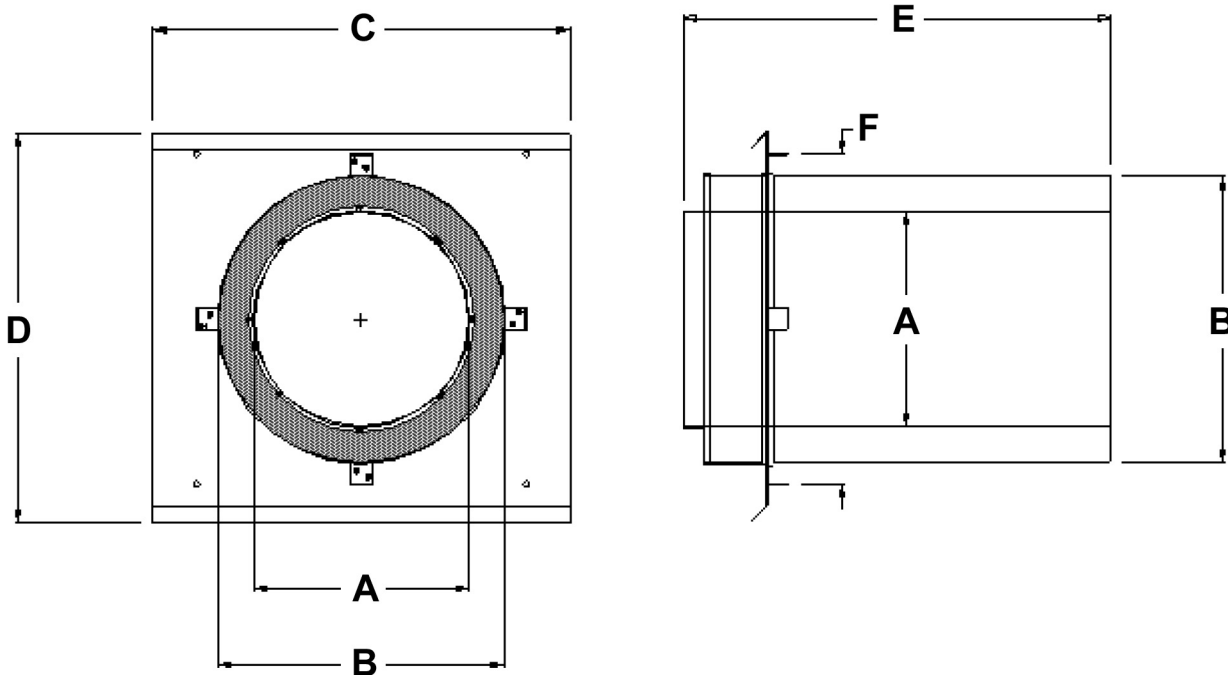
Model Number	A Nominal Diameter	B Outer Tube Diameter	C Face Plate Width	D Face Plate Height	E Overall Length	F Exterior Length	G Wall Opening
3STWP	3	6	16	15	21.5	6	8
4STWP	4	7	16	15	21.5	6	9
5STWP	5	8	16	15	21.5	6	10
6STWP	6	9	16	15	21.5	6	11
7STWP	7	10	17	16	23.5	8	12
8STWP	8	11	18	17	23.5	8	13
9STWP	9	12	18	17	25.5	10	14
10STWP	10	13	19	18	27.5	12	15
12STWP	12	15	22	21	27.5	12	17
14STWP	14	17	24	23	27.5	12	19
16STWP	16	19	25	24	27.5	12	21



Wall Penetration Assembly without Screen

Use to penetrate any combustible or noncombustible wall. This part is a thimble only and does not include any vent. Order enough vent to pass through the thimble, and extend at least 4" beyond a combustible building sheathing. The vent system may be terminated using any terminal listed for use with the appliance. The design also allows a vent system to pass through a wall in order to install the vent up the outside of a building. The assembly may be painted to match the exterior decor.

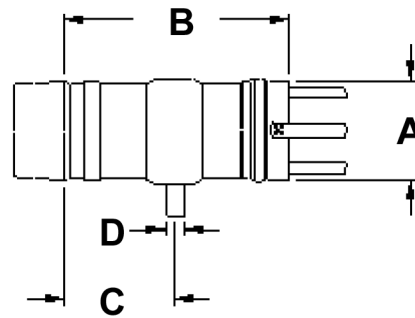
Model Number	A Nominal Diameter	B Outer Tube Diameter	C Face Plate Width	D Face Plate Height	E Overall Length	F Wall Opening
3SWP	3	6	16	15	18.5	8
4SWP	4	7	16	15	18.5	9
5SWP	5	8	16	15	18.5	10
6SWP	6	9	16	15	18.5	11
7SWP	7	10	17	16	18.5	12
8SWP	8	11	18	17	18.5	13
9SWP	9	12	18	17	18.5	14
10SWP	10	13	19	18	18.5	15
12SWP	12	15	22	21	18.5	17
14SWP	14	17	24	23	18.5	19
16SWP	16	19	25	24	18.5	21



Horizontal / Vertical In-Line Drain Section

Use to drain away condensate from the vent system. The unique design of this part allows it to be installed in a horizontal, vertical or inclined orientation. Continuous horizontal runs in excess of 30 feet require a condensate drain. High-temperature silicone rubber tubing is available separately, see below.

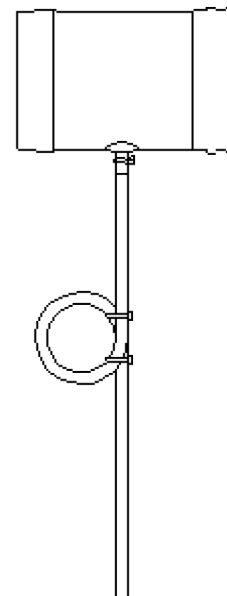
Model Number	A Nominal Diameter	B Installed Length	C Drain Location	D Drain Diameter
3SD	3	7.5	3	0.5
4SD	4	7.4	3	0.5
5SD	5	7.3	4	0.5
6SD	6	7.3	4	0.5
7SD	7	7.3	4	0.5
8SD	8	7.3	4	0.5
9SD	9	7.3	4	0.5
10SD	10	7.3	4	0.5
12SD	12	7.3	4	0.5
14SD	14	7.3	4	0.5
16SD	16	7.3	4	0.5



Condensate Drain Tube Kit

This kit contains a length of high-temperature silicone rubber tubing, a clamp, and two cable ties. The silicone tubing is rated for 500°F, and is translucent to allow inspection of the P-trap. Larger-diameter drains can be plumbed directly into a drain system.

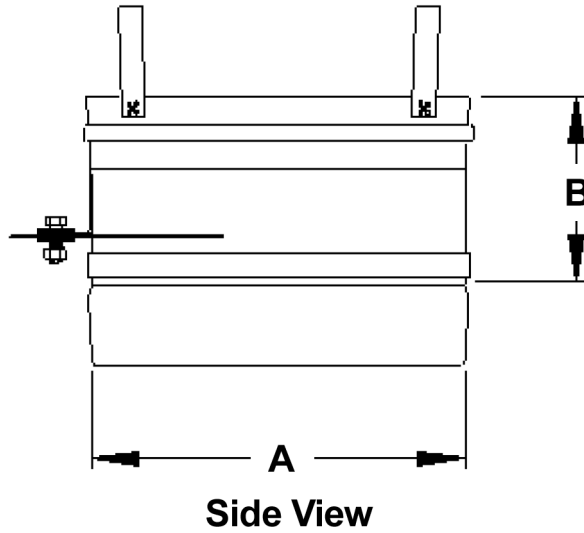
Model Number	
SDT3/8	10 feet of $\frac{3}{8}$ " diameter tubing
SDT1/2	10 feet of $\frac{1}{2}$ " diameter tubing



Blast Gate

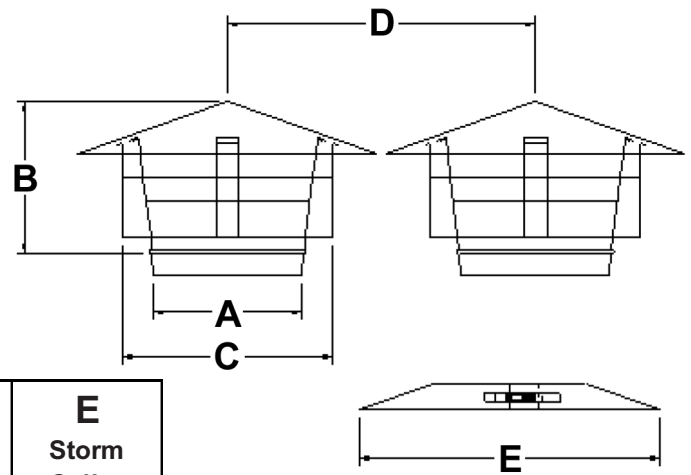
Use to balance the draft of an appliance when the vent is terminated with a fan.

Model Number	A Nominal Diameter	B Installed Height
3SBG	3	4.5
4SBG	4	4.5
5SBG	5	4.5
6SBG	6	4.5
7SBG	7	4.5
8SBG	8	4.5
9SBG	9	4.5
10SBG	10	4.5
12SBG	12	4.5
14SBG	14	4.5
16SBG	16	4.5



Rain Cap and Storm Collar

Use as a termination on vertical systems. Category I and II appliances require a rain cap or other device to prevent rainwater from entering the vent. Vent systems for positive-pressure appliances may omit the rain cap if there are other provisions for draining rainwater from the system. The rain cap may also be used as a horizontal termination. Each rain cap includes a storm collar that is used to attach the rain cap to the vent system.

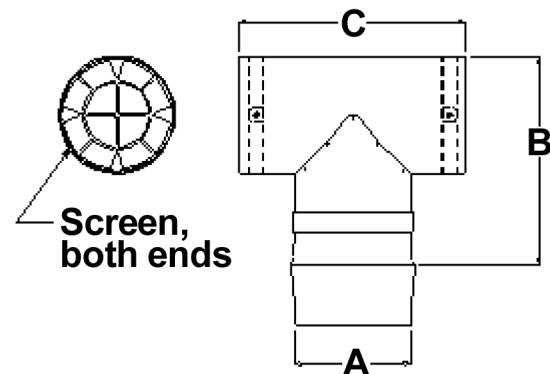


Model Number	A Nominal Diameter	B Cap Height	C Outer Band	D Minimum Spacing	E Storm Collar
3SRC	3	8.5	8	18	12
4SRC	4	8.5	9	18	12
5SRC	5	9.0	10	21	14
6SRC	6	9.0	11	21	14
7SRC	7	11.0	11	28	17
8SRC	8	11.0	12	28	18
9SRC	9	11.0	13	30	19
10SRC	10	11.0	14	32	20
12SRC	12	11.0	19	36	24
14SRC	14	13.0	20	40	28
16SRC	16	15.0	22	44	32

Tee Termination with Screen

Use as a termination on horizontal or vertical systems, as specified or allowed by the appliance manufacturer.

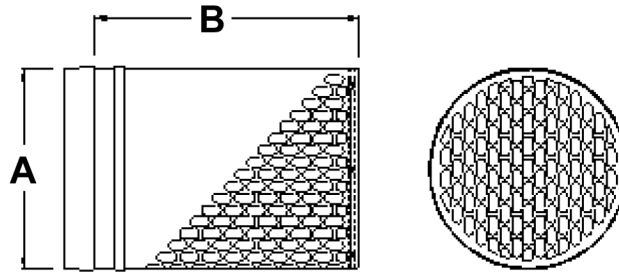
Model Number	A Nominal Diameter	B Installed Length	C Tee Body Width
3STST	3	5.5	6
4STST	4	6.0	7
5STST	5	6.5	8



Mitered Termination with Screen

Use as a termination on horizontal or vertical systems, as specified or allowed by the appliance manufacturer.

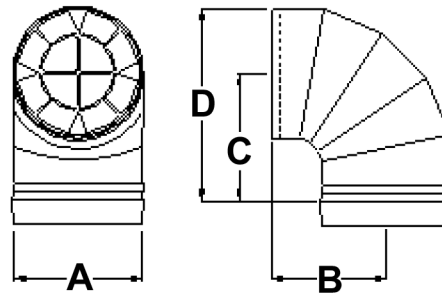
Model Number	A Nominal Diameter	B Installed Length
3STM	3	6.25
4STM	4	7.25
5STM	5	8.25
6STM	6	8.50
7STM	7	10.25
8STM	8	11.25
9STM	9	12.25
10STM	10	13.25
12STM	12	15.00
14STM	14	17.25
16STM	16	18.25



Elbow Termination with Screen

Use as a termination on horizontal or vertical systems, as specified or allowed by the appliance manufacturer.

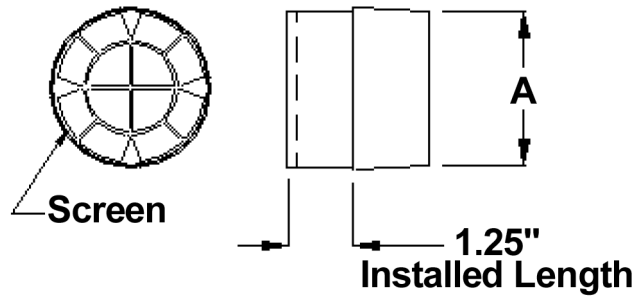
Model Number	A Nominal Diameter	B Center to Edge	C Centerline Installed Length	D Overall Installed Length
3STE	3	3.8	5.3	6.8
4STE	4	5.3	6.0	8.0
5STE	5	5.7	6.4	8.9
6STE	6	6.3	7.0	10.0
7STE	7	6.8	7.5	11.0
8STE	8	7.2	7.9	11.9
10STE	10	8.9	9.6	14.6
12STE	12	9.9	10.6	16.6



Screen Termination

Use as a termination on horizontal or vertical systems, as specified or allowed by the appliance manufacturer.

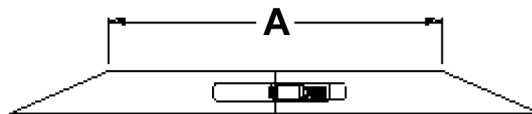
Model Number	A Nominal Diameter
3STS	3
4STS	4
5STS	5
6STS	6
7STS	7
8STS	8
9STS	9
10STS	10
12STS	12
14STS	14
16STS	16



Storm Collar

For use on horizontal or vertical systems when an AmeriVent wall or roof penetration is not used or is not required. The storm collar may be tightened and sealed around the vent to prevent water from entering the building. It may also be used as a decorative shield to cover holes where the vent penetrates interior concrete and masonry walls. This part is made from Type 304 stainless steel, and should not be installed in the direct path of flue gases.

Model Number	A Nominal Diameter
3SSC	3
4SSC	4
5SSC	5
6SSC	6
7SSC	7
8SSC	8
9SSC	9
10SSC	10
12SSC	12
14SSC	14
16SSC	16



Appliance Adapters by Manufacturer

Manufacturer	Make & Model	Flue Collar Diameter	Adapter Model	Page
Ajax	Atlas Goldstar GS-10-A01G	6	Factory-Supplied	
	Atlas Goldstar GS-15-A01G	8	Factory-Supplied	
A. O. Smith Water Products	Genesis GB and GW-200	4	4SANID	41
	GB and GW-300	5	5SANID	41
	GB and GW-400 and -500	6	6SANID	41
	GB and GW-650 and -750	8	8SANID	41
	GB and GW-1000	10	10SBOI	41
	GB and GW-1300 and -1500	12	12SBOI	41
	GB and GW-1850 and -2100	14	14SBOI	41
	GB and GW-2500	16	16SBOI	41
	Legend 2000 LB and LW-500 and -750	6	Factory-Supplied	
	LB and LW-1000	7	Factory-Supplied	
	Pro Star XT 19400	4	4SRYPKHD	44
Bard Mfg.	IH, IC, IL, ISG and MPG Gas Furnaces	3	3SANID	41
	IH, IC, IL, ISG and MPG Gas Furnaces	4	4SANID	41
Beacon/Morris	BRU / BTU 100-250	5	5SANID	41
	BRU / BTU 300-400	6	6SANID	41
Bosch	AquaStar 125FX	4	4SANID	41
	AquaStar 240FX	4	4SANID	41
	AquaStar 250SX	3	3SBSH	37
	Pro Tankless GWH-635-ES	3	3SBSH	37
Buderus	GA124 17, 23 and 30	3	3SAMTK	37
	GA244 37, 44 and 53	3	3SAMTK	37
	G124X 18, 25 and 32	3	3SAMTK	37
	GA244 62	4	4SAMTK	40
	G-515 Series Cast Iron Boilers	10	10SBOI	41
	G-605 Series Cast Iron Boilers	14	14SBOI	41
	SB615 145 and 185	6	6SAB	42
	SB615 240 and 310	8	8SAB	42
	SB615 400	10	10SAB	42
	SB615 510 and 640	12	12SAB	42
	SB735-790 / 970 / 1200	14	14SAB	42
	GB142	3	3SCPVC	37

Adapters are listed by the appliance manufacturer.

Factory-Supplied: The appliance is shipped with a flue collar that will accept a standard male end of a Model SW product. No separate adapter is required.

Appliance Adapters by Manufacturer

Manufacturer	Make & Model	Flue Collar Diameter	Adapter Model	Page
Burnham	Revolution Series	3	3SBUREZ	37
	Series 2PV	3	3SBUREZ	37
	Spirit Series	3	3SBUREZ	37
Camus	Dynaflame 500	6	6SBOI	41
	Dynaflame 750 and 1100	8	8SBOI	41
	Dynaflame 1500 and 1750	10	10SBOI	41
	Dynaflame 2000, 2500 and 3000	12	12SBOI	41
Cleaver Books	Clearfire MCF-750	10	10SBOI	41
	Clearfire MCF-1000	10	10SBOI	41
	Clearfire MCF-1500	12	12SBOI	41
	Clearfire MCF-1800	12	12SBOI	41
Columbia Boiler	CDV38 through CDV125	3	3SUTI	37
	CDV150 through CDV200	4	4SUTI	40
	LVGD90-120	4	4SANID	41
Crown Boiler	CXE-2 through CXE-5	3	3STHI	37
	CXE-6 and CXE-7	4	4SANID	41
Dunkirk Radiator	XEB-2 through XEB-5	3	3STHI	37
	XEB-6 and XEB-7	4	4SANID	41
Frigidaire	see Nordyne			
Fulton Boiler Works	PulsePak PWH-300, 500, 750, 950 and 1000 (on/off)	4	4SFUL	40
	PulPak PHW-300, 500, 750 950, 1000 and 1400 (modulating)	4	Factory-Supplied	
	Pulse PHW-2000	6	Factory-Supplied	
	Vantage 3000	12	12SBOI	41
	4" Fulton Exhaust Muffler	4	4SFMA	43
Gasmaster Industries	GMI 200, 300 and 400	4	4SBOI	41
	GMI 600	6	6SBOI	41
	GMI 800 and 1M	8	8SBOI	41
	GMI 1.5M and 2M	12	12SBOI	41
Gibson	see Nordyne			
Hatco Corporation	Powermite PMG-100 and -200	4	4SBOI	41
Hayward Pool Prod.	H250IDL(P) and H400IDL(P)	6	Factory-Supplied	
H. B. Smith	PVGA-2 through PVGA-5	3	3STHI	37
	PVGA-6 and PVGA-7	4	4SANID	41

Adapters are listed by the appliance manufacturer.

Factory-Supplied: The appliance is shipped with a flue collar that will accept a standard male end of a Model SW product. No separate adapter is required.

Appliance Adapters by Manufacturer

Manufacturer	Make & Model	Flue Collar Diameter	Adapter Model	Page
Hobart Corporation	IB57 and IB140 Booster Heater	3	3SANID	41
	IB235 and IB290 Booster Heater	4	4SANID	41
Hydrotherm	Sabre FX - 70, 105 and 140	3	3SSMI	38
	FX - 175 and 200	4	4SSMI	40
	KN -10	6	Factory-Supplied	
	KN -6	6 to 5	Factory-Supplied	
	KN -20	9	Factory-Supplied	
Laars Heating Systems	Endurance EBP, EDN and EDP (all sizes)	3	3STHI	37
	Heatmaker H, HP and HW (all sizes)	3	3STHI	37
	Mini-Combo id	4	4SBOI	41
	Summit	3	3SCPVC	37
	Rheos 1200, 1600 or Rheos Plus 1200, 1600	6	6SBOI	41
	Rheos 2000 or Rheos Plus 2000	7	7SBOI	41
	Rheos 2400 or Rheos Plus 2400	10	10SBOI	41
	Pennant 500 (Category I, III and Sidewall)	6	6SBOI	41
	Pennant 750 (Category I)	8	8SBOI	41
	Pennant 750 (Category II and Sidewall)	6	6SBOI	41
	Pennant 1000 (Category I)	10	10SBOI	41
	Pennant 1000 (Category II and Sidewall)	8	8SBOI	41
	Pennant 1500 (Category I)	12	12SBOI	41
	Pennant 1500 (Category II and Sidewall)	10	10SBOI	41
	Pennant 2000 (Category I)	14	14SBOI	41
	Pennant 2000 (Category II and Sidewall)	12	12SBOI	41
Lennox	CMWB-2 through CMWB-5	3	3STHI	37
	CMWB-6 and CMWB-7	4	4SANID	41
	CXEB-2 through CXEB-5	3	3STHI	37
	CXEB-6 through CXEB-7	4	4SANID	41

Adapters are listed by the appliance manufacturer.

Factory-Supplied: The appliance is shipped with a flue collar that will accept a standard male end of a Model SW product. No separate adapter is required.

Appliance Adapters by Manufacturer

Manufacturer	Make & Model	Flue Collar Diameter	Adapter Model	Page
Lochinvar	Copper-Fin II CF and CH 300	5	5SBOI	41
	CF and CH 401, 501	6	6SBOI	41
	CF and CH 651, 751	8	8SBOI	41
	CF and CH 990	10	10SBOI	41
	CF and CH 1260, 1440	12	12SBOI	41
	CF and CH 1800, 2070	14	14SBOI	41
	Efficiency + EB / EW / EP 100	3	3SANID	41
	EB / EW / EP 150 and 200	4	4SANID	41
	EB / EW / EP 250 and 300	5	5SANID or 5SLOCH90	41 or 42
	Efficiency + Sidewall Vent Cap Adapter	4	4SLOCH	42
	Efficiency + Sidewall Vent Cap Adapter	5	5SLOCH	42
	Intelli-Fin IBL and IBN 1500	6	6SBOI	41
	Intelli-Fin IBL and IBN 1700	7	7SBOI	41
	Intelli-Fin IBL and IBN 2000	8	8SBOI	41
	Power-Fin PB and PF Series 0250	5	5SBOI	41
	PB and PF Series 0500 / 0501	7	7SBOI	41
	PB and PF Series 0750 / 0751	9	9SBOI	41
	PB and PF Series 1000 / 1001	10	10SBOI	41
	PB and PF Series 1300	12	12SBOI	41
	PB and PF Series 1500	8	8SBOI	41
BP and PF Series 1700	8	8SBOI	41	
PB and PF Series 2000	10	10SBOI	41	
Modine	Hat Dawg HD30 through HD75	3	3SMOD	37
New Yorker	PVCG Series (30 through 60)	3	3SBUREZ	37
Nordyne	FG6RA-045	3	3SANID	41
	FG6RA-060 through -120	4	4SANID	41
	FG6RA-144	5	5SANID	41
	FG6RAK (all models)	4	4SANID	41
Noritz	N-042	3	3SPAL	37
	N-063S, N-069M, N-084M and N-084M-DV	4	4SRYPKHD	44
	N-132	5	5SNOR	43
Nortec	GHB / GHP / GHMC 100	3	3SAMTK	37
	GHB / GHP / GHMC 200 and 400	4	4SAMTK	40
Paloma Industries	PH-16UFN, PH-16UFH and PH-16FS	3	3SPAL	37
	PH-28RIFS	4	4SRHM	40

Adapters are listed by the appliance manufacturer.

Factory-Supplied: The appliance is shipped with a flue collar that will accept a standard male end of a Model SW product. No separate adapter is required.

Appliance Adapters by Manufacturer

Manufacturer	Make & Model	Flue Collar Diameter	Adapter Model	Page
Patterson-Kelley Co.	Modu-Fire N1000	10	10SBOI	41
	Modu-Fire N1500 and N2000	12	12SBOI	41
	Pulsar PO 350 and 500	5	5SBOI	41
	Thermific 700, 900 and 1200	10	10SBOI	41
	Thermific 1500, 1700 and 1900	12	12SBOI	41
	Mach C - 300	4	4SMACH	43
	Mach C - 450	5	5SMACH	43
	Mach C - 750	6	Factory-Supplied	
	Mach C - 900	8	8SMACH	43
	Mach C - 1050	8	8SMACH	43
Peerless Heater	DE Series (all models)	3	3SAMTK	37
	PDE Series (all models)	3	3SPTEE	37
	PSC Series (all models)	3	3SAMTK	37
Pennco	FSB-2 through FSB-5	3	3SANID	41
	FSB-6 and FSB-7	4	4SANID	41
Pentair Pool Products	Mini Max NT and Low NOX	4 or 5	4SBOI or 5SBOI	41
Precision Temp	PT-200 Gas Booster Heater	4	4SANID	41
PVI Industries	Power VT (all models)	4	4SPVI	40
Raypak	B-50 and B-130A Gas Booster Heater	3	3SANID	41
	B-195 Gas Booster Heater	4	4SANID	41
	Advanced Design Boiler (ADB) ADB-500	6	6SRYPKHD	44
	Advanced Design Boiler (ADB) ADB-750	8	8SRYPKHD	44
	Advanced Design Boiler (ADB) ADB-1000 with CHX	10	10SRYPKHD	44
	Advanced Design Boiler (ADB) ADB-1500	12	12SRYPKHD	44
	Hi Delta 122	4	4SRYPKHD	44
	Hi Delta 162, 202, 242 and 302	5	5SRYPKHD	44
	Hi Delta 322, 402 and 502	6	6SRYPKHD	44
	Hi Delta 652, 752 and 902	8	8SRYPKHD	44
	Hi Delta 992	10	10SRYPKHD	44
	Hi Delta 1262 and 1532	12	12SRYPKHD	44
	Hi Delta 1802, 2002 and 2072	14	14SRYPKHD	44
	Hi Delta 2342	16	16SRYPKHD	44
	Vent Cap Adapters (ADB, Hi Delta) - 4"	4	4SRYPK	44
	Vent Cap Adapters (ADB, Hi Delta) - 5"	5	5SRYPK	44
	Vent Cap Adapters (ADB, Hi Delta) - 6"	6	6SRYPK	44
	Vent Cap Adapters (ADB, Hi Delta) - 8"	8	8SRYPK	44
	Vent Cap Adapters (ADB, Hi Delta) - 10"	10	10SRYPK	44
	Vent Cap Adapters (ADB, Hi Delta) - 12"	12	12SRYPK	44
	Vent Cap Adapters (ADB, Hi Delta) - 14"	14	14SRYPK	44
Vent Cap Adapters (ADB, Hi Delta) - 16"	16	16SRYPK	44	

Adapters are listed by the appliance manufacturer.

Factory-Supplied: The appliance is shipped with a flue collar that will accept a standard male end of a Model SW product. No separate adapter is required.

Appliance Adapters by Manufacturer

Manufacturer	Make & Model	Flue Collar Diameter	Adapter Model	Page
RBI Water Heaters	Futera 65, 100 and 150	3	3SBOI	41
	Futera 200, 250 and 300	4	4SBOI	41
	Futera 350 and 400	5	5SBOI	41
	Futera II 500, Futera III 500 and 750	6	6SBOI	41
	Futera II 750, Futera III 1250 and 1500	8	8SBOI	41
	Futera II 1000	9	9SBOI	41
	Futera III 1000	7	7SBOI	41
	Futera II 1250 and 1500	10	10SBOI	41
	Futera III 1750 and 1950	10	10SBOI	41
	Futera II 1750 and 1950	12	12SBOI	41
	Futera II, III LCD and Dominator Exhaust Term Adapters - 6"	6	6SRYPK	44
	Futera II, III LCD and Dominator Exhaust Term Adapters - 8"	8	8SRYPK	44
	Futera II, III LCD and Dominator Exhaust Term Adapters - 10"	10	10SRYPK	44
	Futera II, III LCD and Dominator Exhaust Term Adapters - 12"	12	12SRYPK	44
	Reznor	FT30-65	4	4SANID
BE and FE 25-100		4	4SANID	41
BE and FE 125-250		5	5SANID	41
BE and FE 300-400		6	6SANID	41
Rheem	Pronto! 4.2 / RTG-42	3	3SPAL	37
	PH28	4	4SRHM	40
	Pronto! 7.4 / RTG-74	4	4SRHM	40
Rinnai	Continuum	3	3CAD01 or 3CRIN90	see CV Catalog
Riverside Hydronics	Primera 400	6	6SBOI	41
	Primera 750 and 1000	8	8SBOI	41
	Primera 1200	10	10SBOI	41
	Primera 1600 and 2000	12	12SBOI	41
Ruud	See Rheem			
Slant/Fin	Concept 21 Boiler (all models)	3	Factory-Supplied	
	Prodigy 21 Boiler (all models)	3	Factory-Supplied	
	Victory Boiler (all models)	3	Factory-Supplied	
	Victory II Boiler (all models)	3	Factory-Supplied	

Adapters are listed by the appliance manufacturer.

Factory-Supplied: The appliance is shipped with a flue collar that will accept a standard male end of a Model SW product. No separate adapter is required.

Appliance Adapters by Manufacturer

Manufacturer	Make & Model	Flue Collar Diameter	Adapter Model	Page
Smith Boiler	GS110-W-3, 4 and 5	3	3SSMI	38
	GS110-W-6 and 7	4	4SSMI	40
State Water Heater	Aurora Tankless	4	4SRYPKHD	44
Sta-Rite Industries	Max-E-Therm SR Pool and Spa Heater (SR200, SR333 and SR400) (Kit 77707-0086 from Sta-Rite)	4	4SSR	40
Sterling	TF 100 - 250	5	5SANID	41
	TF 300 - 400	6	6SANID	41
Stero Company	SIB140 Booster Heater	3	3SANID	41
	SIB235 and SIB290 Booster Heater	4	4SANID	41
Takagi	Flash-T-K2	4	4SANID	41
	Flash-T-DK20*	4	4SANID	41
	Modius T-M1*	4	4SANID	41
	T-K1S, T-K2 and T-K Jr.*	4	4SANID	41
	*When using, TK-TV03, Back Flow Preventer on these models	4	4SAMTK	40
Tappan	see Nordyne			
Teledyne Laars	see Laars Heating Systems			
Thermal Solutions	Evolution EVH-250	3	Factory-Supplied	
	Evolution EVH-500 and -750	4	Factory-Supplied	
	Evolution EVH-1000, -1500 and -2000	6	Factory-Supplied	
	Evolution (Conventional Vent) EVH-250	5	Factory-Supplied	
	Evolution (Conventional Vent) EVH-500	6	Factory-Supplied	
	Evolution (Conventional Vent) EVH-750	7	Factory-Supplied	
	Evolution (Conventional Vent) EVH-1000	9	Factory-Supplied	
	Evolution (Conventional Vent) EVH-1500	10	Factory-Supplied	
	Evolution (Conventional Vent) EVH-2000	12	Factory-Supplied	
Thermo-Dynamics	LMGD (all models)	4	4SANID	41
Trianco-Heatmaker	Heatmaker H, HP and HW (all sizes)	3	3STHI	37
Triangle Tube	HM Series G Model 25 and 30	3	3SDEL	38
	Delta Performance (all models)	3	3SDEL	38
Utica Boilers	DV and DVA-38 through -125	3	3SUTI	37
	DV and DVA-150 through -200	4	4SUTI	40
	DVB-50 through -125	3	3SUTI	37
	DVB-150 through -200	4	4SUTI	40
	USC Series Boiler (all sizes)	3	3SUTI	37

Adapters are listed by the appliance manufacturer.

Factory-Supplied: The appliance is shipped with a flue collar that will accept a standard male end of a Model SW product. No separate adapter is required.

Appliance Adapters by Manufacturer

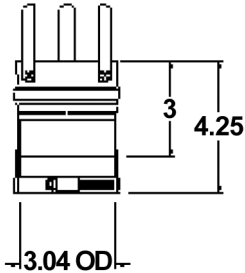
Manufacturer	Make & Model	Flue Collar Diameter	Adapter Model	Page
Viessmann	Vitogas 050 ECV (all models)	3	3SANID	41
	Vitogas 100 GS10-72	8	8SBOI	41
	Vitogas 100 GS10-84	9	9SBOI	41
	Vitogas 100 GS10-96	10	10SBOI	41
	Vitoden 200 WB2 6-24 and 8-32	3	3SVSMN	37
	Vitoden WB2 11-44 and 15-60	4	4SVSMN	40
	Vertomat VSB-17, -22 and -28	8	8SBOI	41
	Vertomat VSB-37, -46 and -57	10	10SBOI	41
	Vertomat VSB-72 and -89	12	12SBOI	41
WaiWela	PH28RIFS and PH28CIFS	4	4SRHM	40
Weben Jarco	Vision 3000 750	6	Factory-Supplied	
	Vision 3000 1000	8	Factory-Supplied	
	Vision 3000 1500 and 2000	10	Factory-Supplied	
	E-Finiti E_020	3	3SBOI	41
	E-Finiti E_040 and E_060	4	4SBOI	41
	E-Finiti E_075 and E_100	6	6SBOI	41
	E-Finiti E_125 and E_150	8	8SBOI	41
	E-Finiti E_175 and E_200	10	10SBOI	41
Weil-McLain	Gold Series 3 and 4 (all models)	3	3SWATXL	39
	Gold Series 2 (all models)	3	3SWATRT (straight) 3SWTLH (horizontal elbow) 3SWTLV (vertical elbow)	39
	CGi / CGs / CGt (all models)	3	3SWCGIS	39
	VHE Series (all models)	3	3SWSTEE	39
	Ultra Series	3	3SCPVC	37
	Ultra Series	4	4SCPVC	40
	Westinghouse	see Nordyne		
William-Thermoflo	GWi / GWs (all models)	3	3SWCGIS	39

Adapters are listed by the appliance manufacturer.

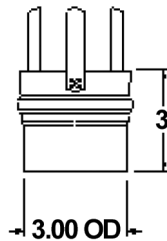
Factory-Supplied: The appliance is shipped with a flue collar that will accept a standard male end of a Model SW product. No separate adapter is required.

3" Adapters

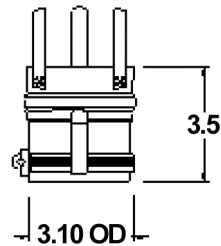
Adapters for appliances with 3" flue collars.



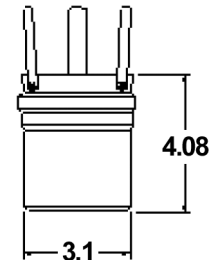
3SAMTK



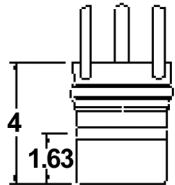
3STHI



3SUTI

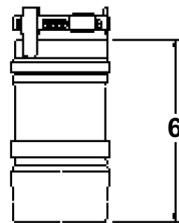


3SVSMN

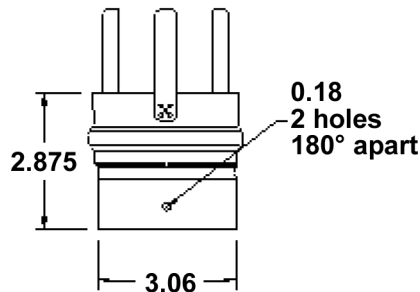


Burnham
(gasketed) to SW

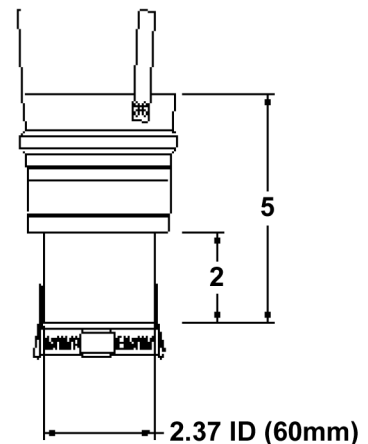
3SBUREZ



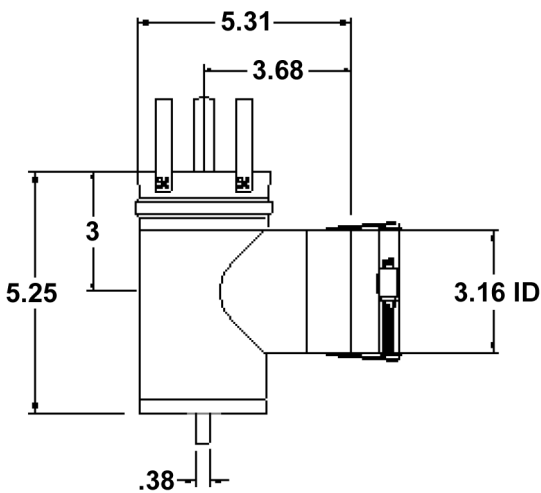
SW to Burnham
Termination
(gasketed)



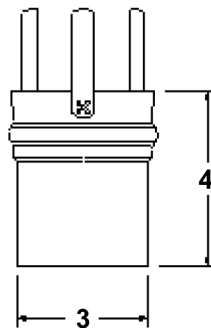
3SMOD



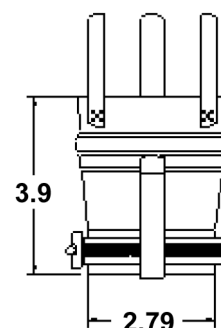
3SPAL



3SPTEE



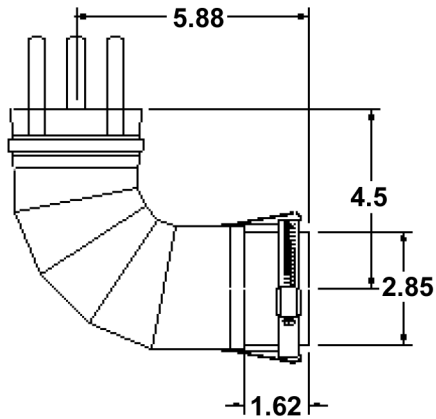
3SBSH



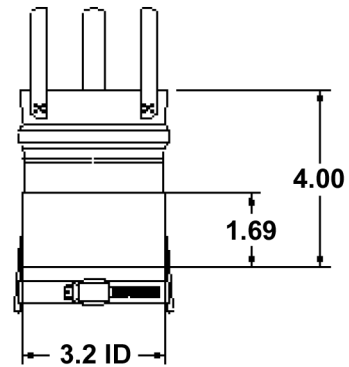
3SCPVC
(to adapt to
plastic outlets)

3" Adapters

Adapters for appliances with 3" flue collars.



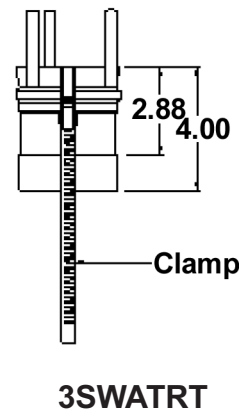
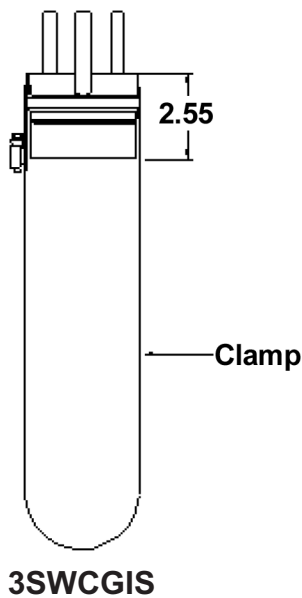
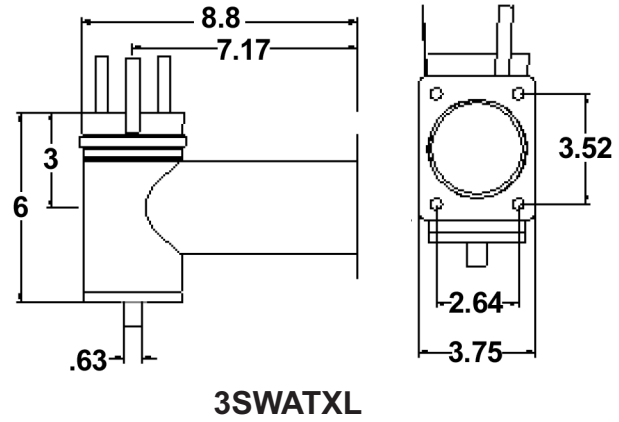
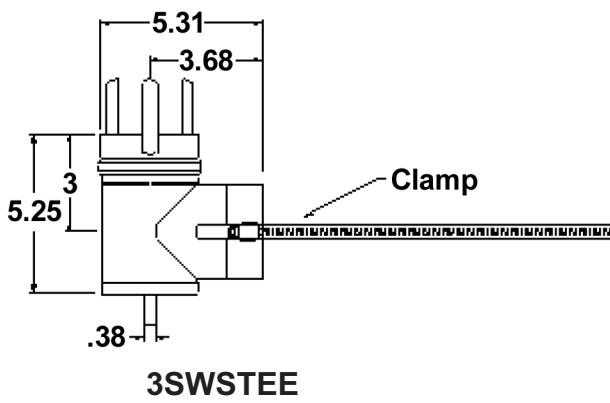
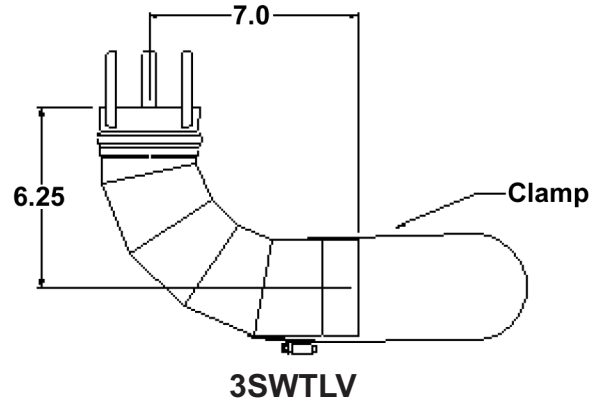
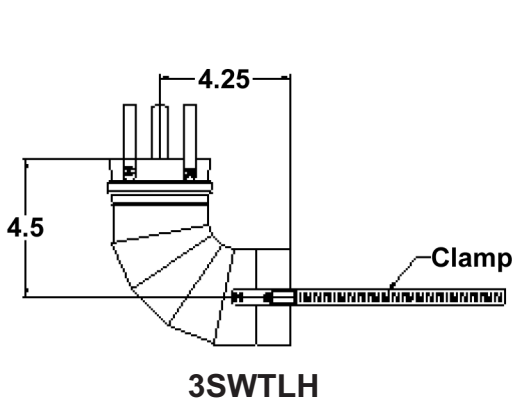
3SSMI



3SDEL

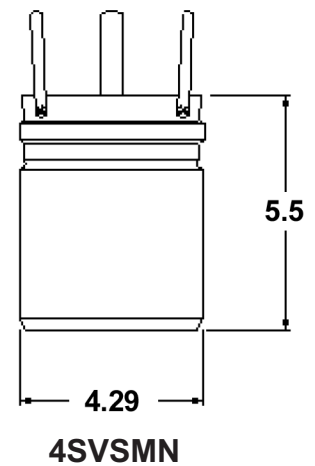
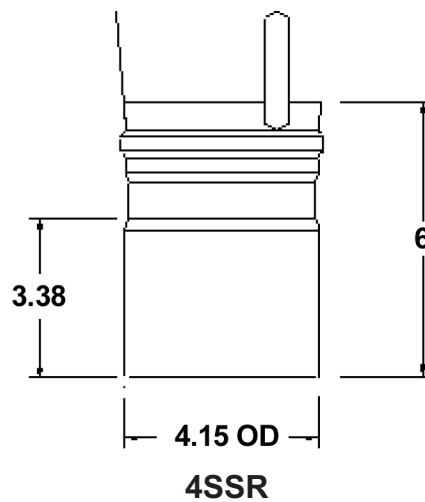
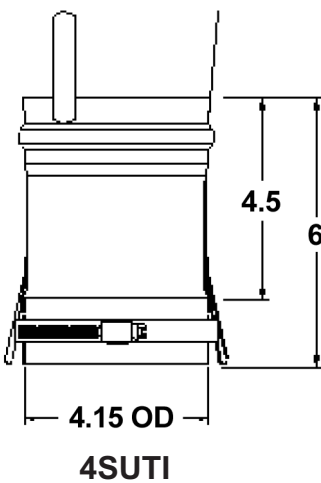
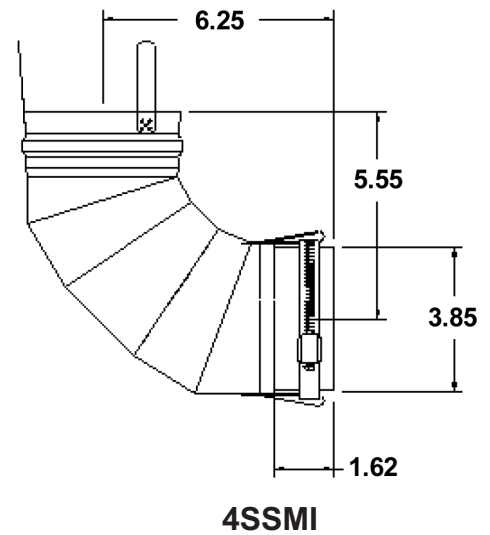
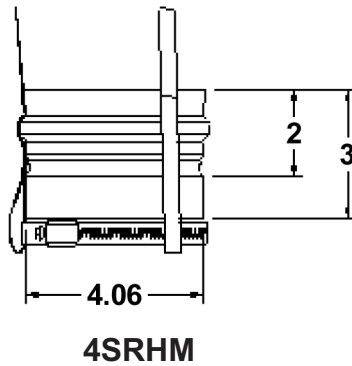
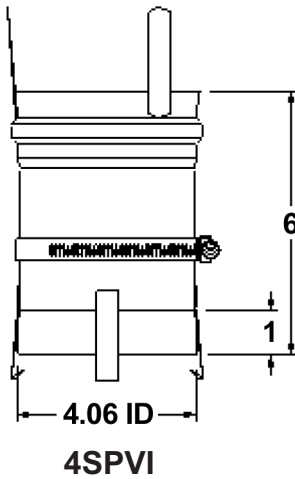
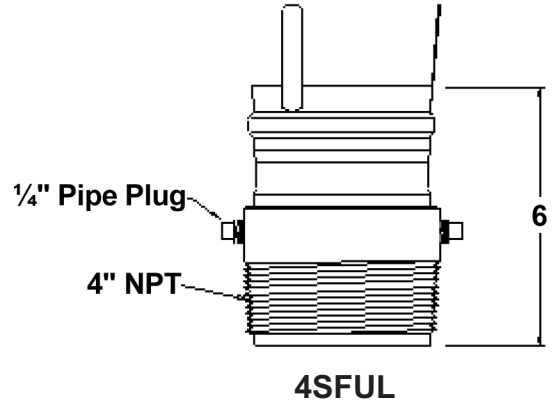
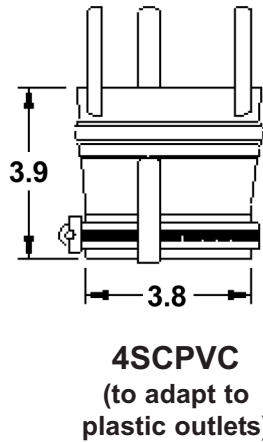
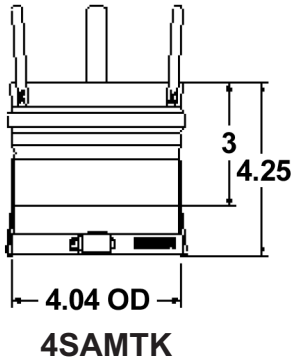
3" Weil-McLain Adapters

Adapters for Weil-McLain appliances.



4" Adapters

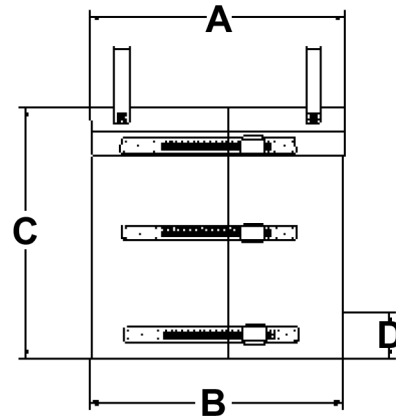
Adapters for appliances with 4" flue collars.



Universal Over-the-Collar Appliance Adapters

A generic flue collar adapter used on appliances with vent outlets that are slightly out-of-round or of irregular diameters. The split-seam design allows the adapter to clamp around irregular or inconsistent flue collars, while still providing a secure connection to Model SW systems.

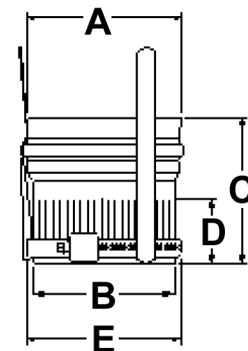
Model Number	A Nominal Diameter	B Minimum Flue Collar Diameter	C Installed Length	D Minimum Recommended Interface Length
3SBOI	3	2.85	8	1.5
4SBOI	4	3.75	8	1.5
5SBOI	5	4.75	8	1.5
6SBOI	6	5.75	8	1.5
7SBOI	7	6.75	8	1.5
8SBOI	8	7.75	8	1.5
9SBOI	9	8.75	8	1.5
10SBOI	10	9.75	8	1.5
12SBOI	12	11.75	8	1.5
14SBOI	14	13.75	8	1.5
16SBOI	16	15.75	8	1.5



Universal Into-the-Flue Appliance Adapters

A generic flue collar adapter used on appliances with vent outlets with a nominal inside diameter. The crimped portion of this adapter is inserted into the flue collar, while the hose clamp is tightened around the outside to create a mechanical joint.

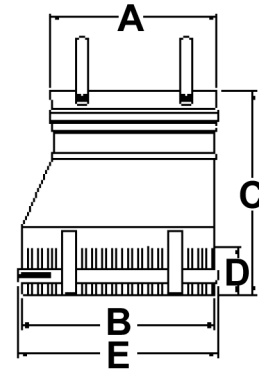
Model Number	A Nominal Diameter	B Male End Crimp OD	C Overall Length	D Crimp Length	E Maximum Clamp Diameter
3SANID	3	2.9	4	0.75	3.5
4SANID	4	3.9	4	1.75	4.5
5SANID	5	4.9	4	1.75	5.5
6SANID	6	5.9	4	1.75	6.5
7SANID	7	6.9	4	1.75	7.5
8SANID	8	7.9	4	1.75	8.5



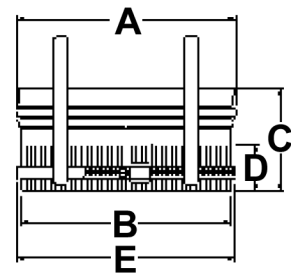
Buderus Appliance Adapters

This adapter is specially designed to connect directly into the vent outlet of Buderus SB Series boilers. The hose clamp is tightened around the outside of the flue collar to create a mechanical joint.

Model Number	A	B	C	D	E
	Nominal Diameter	Male End Crimp OD	Overall Length	Crimp Length	Maximum Clamp Diameter
6SAB*	6	7.18	7.5	1.75	7.5
8SAB	8	7.90	4.0	1.75	8.5
10SAB	10	9.90	4.0	1.75	10.5
12SAB	12	11.90	4.0	1.75	12.5
14SAB	14	13.90	4.0	1.75	14.5



*6SAB

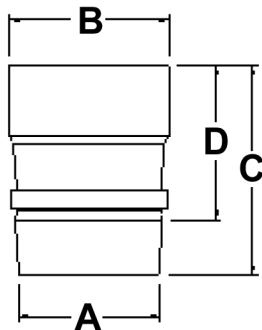


8SAB through 14SAB

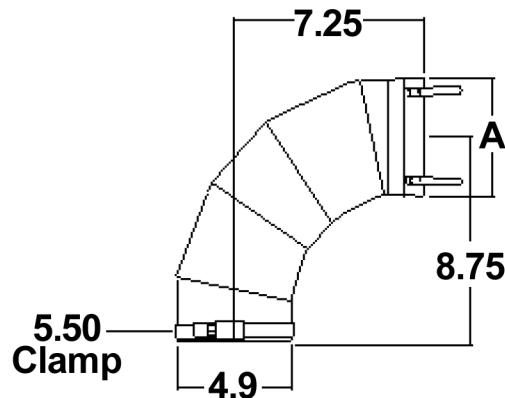
Lochinvar Adapters

Adapters for Lochinvar appliances.

Model Number	A	B	C	D	Use
	Nominal Diameter	Diameter	Overall Length	Installed Length	
4SLOCH	4	4.5	6	4.38	Sidewall Vent Cap Adapter
5SLOCH	5	5.5	6	4.38	Sidewall Vent Cap Adapter
5SLOCH90*	5				Appliance Adapter



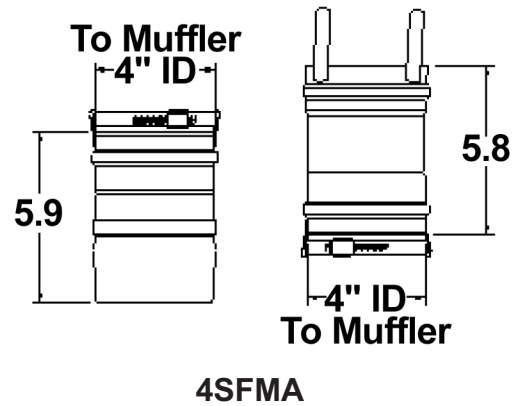
4SLOCH and 5SLOCH



*5SLOCH90

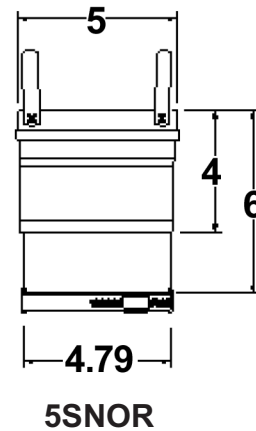
Fulton Muffler Adapters

These adapters make the connection between Model SW products and Fulton Exhaust Mufflers. The 4" diameter has Model SW ends.



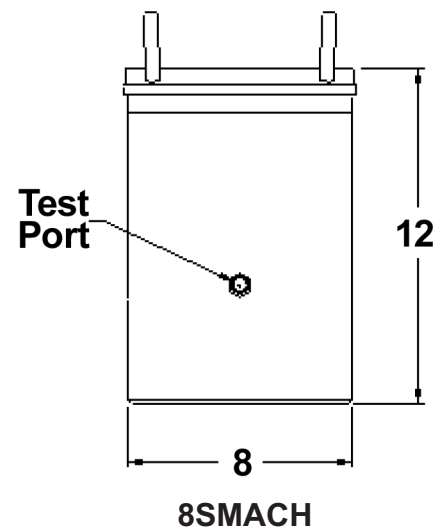
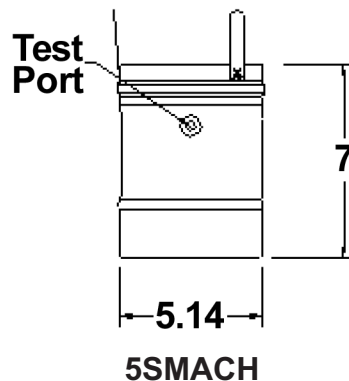
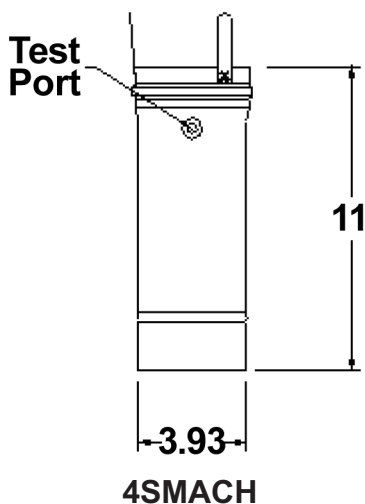
Noritz Adapter

This adapter makes the connection between Model SW products and Noritz water heaters that require 5" diameter vent.



P-K Mach Adapters

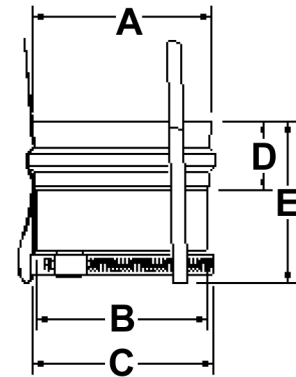
This adapter is specially designed to connect directly to the vent outlet of P-K Mach Boilers, Series C-300, C-450, C-900 and C-1050.



Raypak Boiler Adapters

This adapter is specially designed to connect directly into the vent outlet of Raypak’s ADB or High Delta boilers. The hose clamp is tightened around the outside of the flue collar to create a mechanical joint.

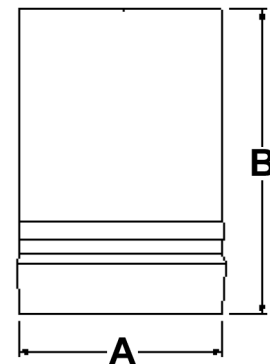
Model Number	A Nominal Diameter	B Flue Collar ID	C Hose Clamp Diameter	D Installed Length	E Overall Length
4SRYPKHD	4	4	4.5	1.5	3.75
5SRYPKHD	5	5	5.5	1.5	3.75
6SRYPKHD	6	6	6.5	1.5	3.75
8SRYPKHD	8	8	8.5	1.5	3.75
10SRYPKHD	10	10	10.5	1.5	3.75
12SRYPKHD	12	12	12.5	1.5	3.75
14SRYPKHD	14	14	14.5	1.5	3.75
16SRYPKHD	16	16	16.5	1.5	3.75



Raypak Vent Cap Adapters

This adapter makes the connection between Model SW products and Raypak’s Flue Exhaust Vent Cap.

Model Number	A Nominal Diameter	B Overall Length
4SRYPK	4	9
5SRYPK	5	9
6SRYPK	6	9
8SRYPK	8	9
10SRYPK	10	9
12SRYPK	12	9
14SRYPK	14	9
16SRYPK	16	9





AMERICAN METAL[®] PRODUCTS GROUP

American Metal Products Group
5030 Corporate Exchange Blvd. SE
Grand Rapids, MI 49512
www.americanmetalproducts.com

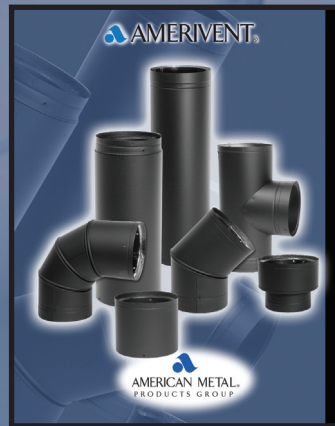
800-423-4270 *toll-free*
616-656-8400 *phone*
800-626-3825 *toll-free fax*
616-656-6388 *fax*



**ALL-FUEL CHIMNEY
MODEL HS/HSS**



**ALL-FUEL CHIMNEY
MODEL TLC**



BLACK STOVEPIPE



DIRECT VENT



**MODEL CV
SPECIAL GAS VENT**



**MODEL SW
SPECIAL GAS VENT**



PELLET PIPE



TYPE B GAS VENT