

1363BFSC – ACCESSIBLE SHOWERS

inches (mm)

Interior: 36 x 36 x 75 (915 x 915 x 1905)

Exterior: 38 x 38 1/4 x 77 (965 x 970 x 1955)

Fax on Demand #6026

The 1363BFSC transfer shower features innovative installation design, including an engineered leveled base and improved front threshold. A true time and money saver, our pre-leveled base lets you install directly on a **level** floor. And its front threshold is engineered to keep a constant level without the use of brackets during installation.



FEATURES

- Pre-leveled base
- Gelcoat surface
- 3/4" (20 mm) skirt
- No threshold
- Barrier free when properly installed
- Smooth wall
- Center drain
- 5-year limited warranty

OPTIONS

- RH or LH fixture wall
- Grab bars
- Fold-up seat
- Hand-held shower assembly with slide bar
- Pressure balancing mixing valve
- Soap dish
- Curtain rod and/ or shower curtain

AQUATIC ADVANTAGE

- National distribution
- 5 manufacturing facilities
- Private fleet
- Centralized customer service
- Field support
- 24-hour fax-on-demand

COLOR & TRIM OPTIONS

Stock	Premium
Almond	Black
Biscuit	Mexican Sand
Bone	Sandbar
Linen	
Sterling Silver	
White	

**Additional custom colors available.
(Contact Customer Service)

CODE COMPLIANCE

- ADA
- FHA
- ICC/ANSI A117.1
- HUD UM73a
- ANSI Z124.1.2
- CAN/CSA-B651-04
- CAN/CSA-B45-02

**Code compliant when fully equipped and installed according to guidelines.

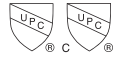


Aquatic products may be specified as Lasco Bathware.

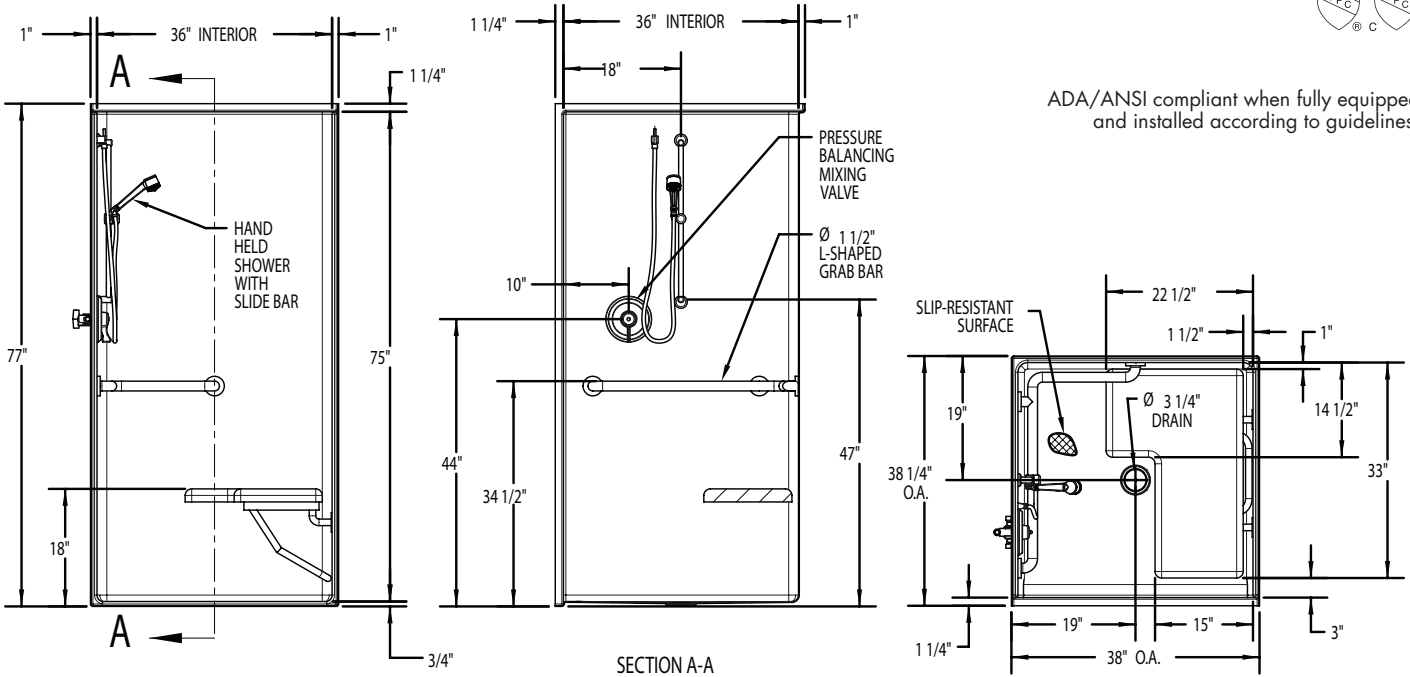


1363BFSC

Interior: 36 x 36 x 75 (915 x 915 x 1905)
 Exterior: 38 x 38 1/4 x 77 (965 x 970 x 1955)
 inches (mm)



ADA/ANSI compliant when fully equipped and installed according to guidelines.



FEATURES lbs (kg) Dimensional Tolerance $\pm \frac{3}{8}$ ". Dimensions needed for site preparation should be measured from the unit. Aquatic assumes no responsibility for preparatory work.

Type and Model #	Material	Wall Finish	Pieces	Drain	Dam/Skirt Height	Net Wt.	Pkg. Wt.
Shower #1363BFSC	Gelcoat	Smooth	1	Center	3/4" (20mm) skirt, NO threshold	140 (65)	150 (70)

DIMENSIONS

Specifications	inches (mm)
Width: Overall / Net	38 (965) / 36 (915)
Depth: Overall / Net	38 1/4 (970) / 36 (915)
Height: Overall / Net	77 (1955) / 75 (1905)
Enclosure Opening:	36 (915)
Skirt Height:	3/4 (20)
Drain Rough-In (from Back Wall)	19 (485)
Drain Rough-In (from Side Wall)	19 (485)

FRAMING DIMENSIONS inches (mm)

Type	D Depth	W Width	H Height	A	B	C
Alcove	38 1/4 (970)	38 1/8 (970)	-	Box Out	19 (485)	19 (485)

