

ADA/ANSI COMPLIANT BARRIER-FREE SHOWER STALLS:

For roll-in showers with a flat threshold, build up or recess the bathroom floor $\frac{3}{4}$ " less the thickness of the finished floor. For beveled thresholds, build up or recess the bathroom floor 1" less the thickness of the finished floor, ensuring that the finished floor meets the base of the bevel at the threshold.

It is recommended that the bathroom floor outside ADA clear floor space be designed with a floor drain to alleviate any water over spray that may escape shower stall.

ADA Code from the Federal Register – Department of Justice 28CFR Part 36 section 4.21.7, July 1, 1994 Rules & Regulations. Excerpt from Paragraph 4.21.7 Curbs "Shower stalls that are 30" x 60" minimum shall not have curbs."

ADA Code from the Federal Register – Federal Access Board, July 24, 2004. Paragraph 608.7 Thresholds. Thresholds in roll-in type shower compartments shall be $\frac{1}{2}$ inch (13 mm) high maximum in accordance with 303. In transfer type shower compartments, thresholds $\frac{1}{2}$ inch (13 mm) high maximum shall be beveled, rounded, or vertical.

EXCEPTION: A threshold 2 inches (51 mm) high maximum shall be permitted in transfer type shower compartments in pre-existing facilities where provision of a $\frac{1}{2}$ inch (13 mm) high threshold would disturb the structural reinforcement of the floor slab.

Barrier-Free Acrylic Showers

3636-BFS, 3636-BFSMA, 3636-BFSC,
4836-BFS, 6030-BFSC, 6030-CFS,
6036-BFSC, 6036-CFS

Acrylic Tub/Shower

6032-ITS, 6032-ITSLA

10. To avoid obstruction, make sure that supply lines and valve plumbing are not strapped to studs and do not project into alcove. Also, drain pipe must not project above floor level prior to installation.
11. On inside of plumbing wet wall of unit, note location of supply vacuum breaker and mixer valve.
12. Double check location of plumbing to ensure proper fit of all plumbing to the mixing valve and supply elbow.
13. **Fasten drain fitting to unit before installing** [see manufacturer's instructions].

A. Pre-Installation Planning

1. Unit must be placed within bathroom area before completion of door framing or, if preferred, studs may be omitted or knocked-out to permit unit placement.
2. Review job print and Aquatic rough-in dimensions; verify all key dimensions against actual job conditions.
3. Make sure framed-in alcove is of proper size, square and plumb; check floor for levelness.
4. If fire-rated alcove is required, approved finish material must be in place prior to unit installation to meet fire safety requirements of local building code and/or FHA/HUD Minimum Property Standards. **NOTE: Finished alcove must have interior dimensions shown on rough-in diagram to permit installation of unit.**
5. Foundation materials [industrial plaster, mortar mix, lightweight grout] are mandatory under the bottom of each unit to solidify for wheelchair support.
6. If dome light will be installed, cut out required area within molded 12" (305mm) sq. flat area in center of dome. Use fine-tooth or abrasive-grit blade. Cut from inside. Light fixture must have UL label and be water and steam tight.

Make sure these provisions have been made before attempting to install unit:

7. **Showers:** A 6" (150mm) floor opening for 2" (50mm) IPS and below grade drain connection. [Fig. 2]
Tub/Shower: A 6" x 12" (150mm x 305mm) floor opening for 1 $\frac{1}{2}$ " (40mm) O.D. plumbing drain and overflow kit. Note: Confirm if right or left hand tub drain. [Fig. 3]
8. Front corner posts are double 2 x 4 studs for flush mounting or triple 2 x 4 studs for recessed mounting. [Fig. 4]
9. 1 x 2 mounting plates installed on front corner posts and on front header. [Fig. 4]

B. Installation Procedure

1. Before placing unit in framed alcove, spread a bed of foundation material around drain extending to perimeter of shower door [drain box-out should be back-filled with foundation material].
2. Lift and place unit directly on top with drain fitting over and onto waste pipe with threshold firmly on the floor (assure waste pipe protrudes well into drain fitting). Maintain proper floor slope towards drain.
3. Level unit for proper drainage using a 3' (910mm) long level on top of dam and on front face.
4. Using holes provided, screw [do not nail] unit to mounting places. Start at holes at lower left and right, proceeding upward alternately on each side and across the top. For wood framework, use #8 x 1 $\frac{1}{2}$ " (40mm) flathead wood screws. For metal framework, use #12 x 1" (25mm) sheet metal screws. Drive screws snugly but do not overtighten.

CAUTION: Do not nail into face of mounting flange. Do not strike flange with any tool.

5. Reference instructions in upper left box for building up or floating sub-floor for barrier-free installation. [ADA/ANSI COMPLIANT BARRIER-FREE SHOWER STALLS]
6. Note fitting locations and make final connections of vacuum breaker and hose to supply elbow, and escutcheon plate and knob to mixer valve.

(NOTE: When caulking drain, protect Gelcoat surfaces with corrugated paper.) Strap water lines, supply elbow and mixer valve to studs.

7. Finish front of the unit with drywall. [Fig. 4]

[over please for Figures and Clean-up]

C. Clean-up

1. **Do not remove warranty/maintenance adhered label.** Leave on unit for owner/occupant per code requirement.
2. **Prevent staining.** Remove **all** debris before plumbing leak test. Use sponge with warm water and liquid detergent. Rinse, drain and wipe clean. Do not use abrasive cleansers such as scouring powders, steel wool, metal scrapers, sandpaper or anything else that might mar, dull or scratch the finish.
3. Plaster and latex paint may be removed with warm water, liquid detergent and brittle brush or plastic scraper. Glues, tars and enamels may be removed with acetone or paint thinner. **Do not use** turpentine or laquer thinner. **Do not use** excessive heat or any caustic solvents or chemicals.
4. Dull areas and light scratches may be removed by buffing with a light colored automotive rubbing compound and buffing pad. Entire unit can be waxed with light colored automotive wax. **Do not wax bottom of unit.**
5. See user maintenance label for more details.

Threshold Center Hold-Down For Models: 3636-BFSC, 6030-BFSC, 6036-BFSC

Fig. 1a

Concrete floor installation:
Use 90° angle bracket, approximately 1/2" x 1/2" x 1 1/2" in size with pre-drilled holes to hold down the center of threshold to prevent moving during installation.

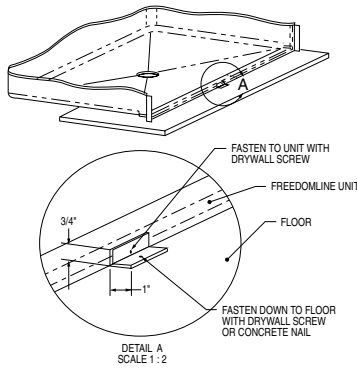


Fig. 1b

Wood floor installation:
Drill 1/8" pilot hole and screw with drywall screw to hold down the center of threshold to prevent moving during installation.

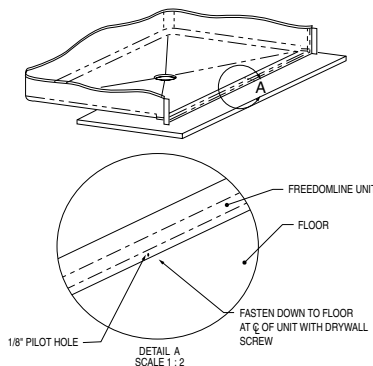


Fig. 2 Alcove Framing

See Table 1 for specific unit dimensions.

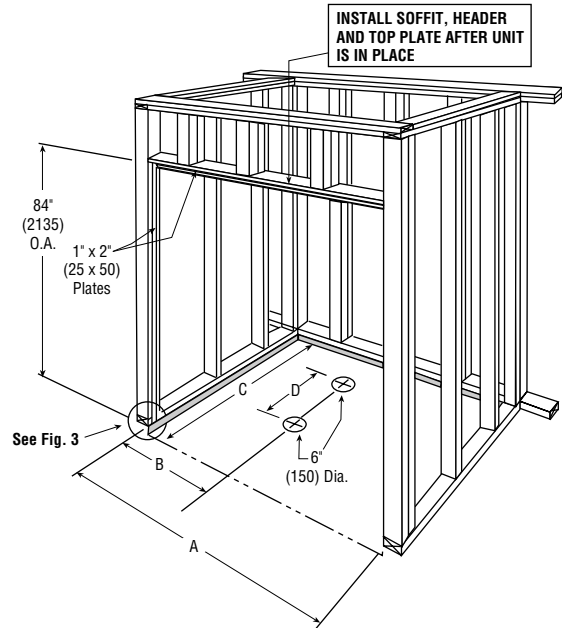
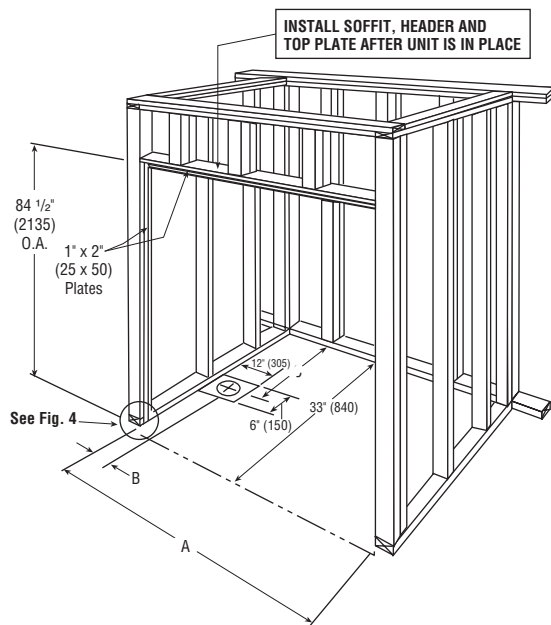


Fig. 3 Acrylic Tub/Shower



MODEL#	DIM.A	DIM.B	DIM.C
6032-ITS/6032-ITSLA	65" (1650)	8 1/2" (215)	15" (380)

HEIGHT, WIDTH DIMENSIONAL TOLERANCE +0, -3/8" (±5mm)

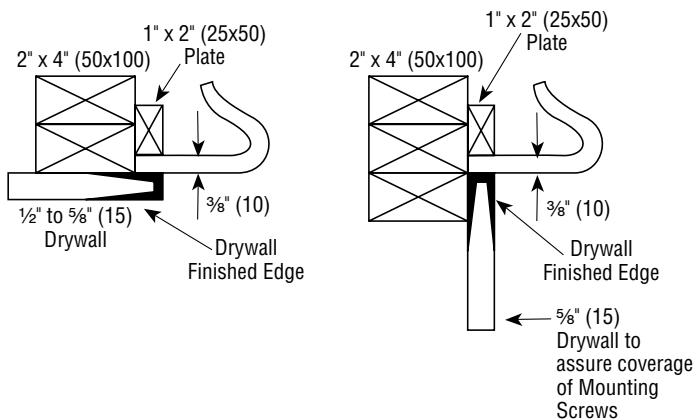
Table 1

WIDTH DIMENSIONAL TOLERANCE +0, -C\," (±5mm)					
MODEL #	DIM. A	DIM. B	DIM. C	DIM. D	SKIRT HEIGHT
3636-BFS / 3636-BFSMA	41" (1040mm)	20Z\`x" (520mm)	37" (940mm)	19" (480mm)	1C\`v" (45mm)
3636-BFSC	41" (1040mm)	20Z\`x" (520mm)	37" (940mm)	19" (480mm)	1" (25mm)
4836-BFS*	53" (1535mm)	26Z\`x" (675mm)	37" (940mm)	7" (180mm)	2" (50mm)
6030BFSC	65" (1650mm)	32Z\`x" (825mm)	31" (785mm)	16" (405mm)	1" (25mm)
6030-CFS	65" (1650mm)	32Z\`x" (825mm)	31" (785mm)	16" (405mm)	1C\`v" (45mm)
6036-BFSC	65" (1650mm)	32Z\`x" (825mm)	37" (940mm)	19" (480mm)	1" (25mm)
6036-CFS	65" (1650mm)	32Z\`x" (825mm)	37" (940mm)	19" (480mm)	1C\`v" (45mm)

*UNITS THAT ARE NOT BARRIER-FREE.

NOTE: IF BACK WALL IS SHEET ROCK FIRE WALL AND UNIT HAS BACK WALL MIXING VALVE, ADD 2" TO DIMENSION "C" FOR CLEARANCE.

Fig. 4 Finishing



Vinyl Flexible Dam

Fits all barrier-free showers

(See Fig. 5)

Installation

1. Make sure the vinyl flexible dam is of proper length by measuring right to left, in between shower walls.
2. Round all four bottom corners to approximately a 3/8" radius with a sander or utility knife to fit.
3. Before installing, clean the top of shower threshold with lacquer thinner or rubbing alcohol until surface is clean.
4. Beginning from one end, place the vinyl dam on top of the shower threshold, peel away adhesive and press down towards other end.
5. Silicone both inside and outside the entire length of the vinyl dam with clear or white sealant.

Maintenance

Clean with mild detergent and warm water or any non-abrasive, non-petroleum based cleaner. Use of harsh chemicals, petroleum based or abrasive cleaners will damage product.

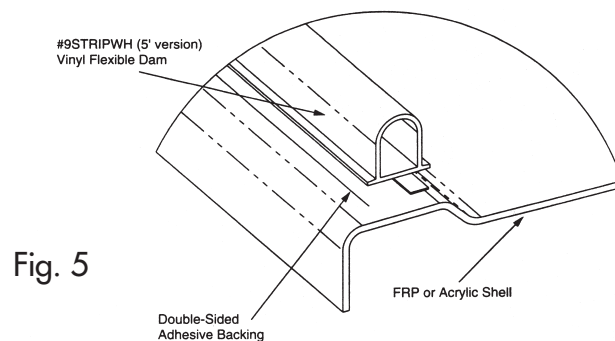
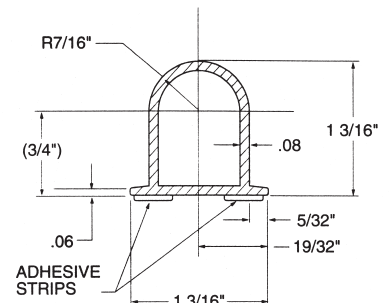


Fig. 5



Optional Removable Threshold [Model #: 9 Threshold]

Fits all barrier-free showers.

Installation

1. Make sure threshold is of proper length by measuring right to left, in between columns.
2. Round all four bottom corners on both cap and catch to approx. $\frac{3}{8}$ " radius with sander or file to fit.
3. Place catch on top of shower threshold and drill three pilot holes for #8 or #10 self-tapping screws.
4. Clean bottom of catch; then apply $\frac{1}{4}$ " bead of silicone sealant to bottom of catch reveal.
5. Replace catch on top of threshold, line up pilot holes and screw down.
6. Snap cap over catch and silicone both inside corner ends and entire inside length of threshold. Tool silicone with finger and wet rag.

Maintenance

Clean with mild detergent and warm water or any non-abrasive, non-petroleum based cleaner. Use of harsh chemicals, petroleum based or abrasive cleaners will damage product and may void warranty.

Warranty

Aquatic Removable Threshold assembly has a limited lifetime warranty to the original homeowner against failure resulting from defects in its manufacture. The replacement of parts is limited to supplying parts and does not include any associated costs. Improper use of cleaning agents other than those suggested by the manufacturer will void this warranty. Aquatic Removable Threshold assembly for commercial use has a three year limited warranty. Please contact Aquatic for complete warranty information.

Fig. 6

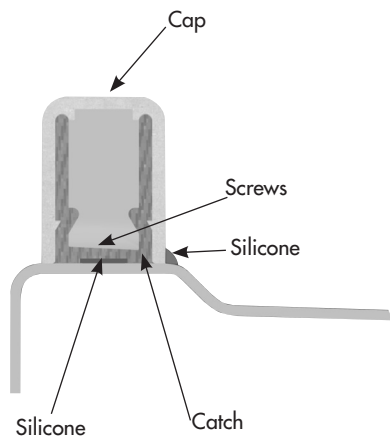
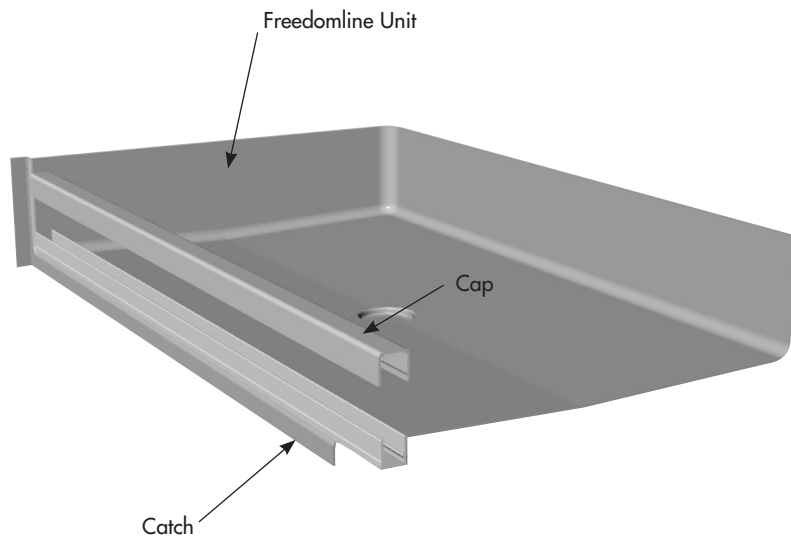


Fig. 7



Warranty Service/Repairs

West Central
P.O. Box 310
Moapa, NV 89025
PH: 800-335-5151, 702-864-2100
FAX: 800-799-2158

North Central
888 W. Broadway
Three Rivers, MI 49093
PH: 800-444-1426
FAX: 269-273-3053

North East
40 Industrial Road
Conewago Industrial Park
Elizabethtown, PA 17022
PH: 800-444-0781
FAX: 717-367-4722

South West/South Central
151 Industrial St.
Lancaster, TX 75134
PH: 800-876-3044
FAX: 972-227-0769

Mid-Atlantic
1100 Industrial Park Road
South Boston, VA 24592
PH: 800-444-0832
FAX: 434-572-1794

West
3261 E. Miraloma Ave.
Anaheim, CA 92806
PH: 800-877-0464, 714-961-9735
FAX: 800-328-6465

South East
210 S. Harris St.
Cordele, GA 31015
PH: 800-444-0926
FAX: 229-273-6838

Rocky Mtn./North West
801 Northern Pacific
Yelm, WA 98597
PH: 800-444-5126
FAX: 360-458-3024

Customer Service/ Sales Order

**Customer Service/Sales Order
Technical Services Department**
C/O Skymark Tower
1521 No. Cooper, Ste. 500
Arlington, TX 76011
PH: 800-945-2726, 817-801-8300
FAX: 866-544-5353