



RKNA

Parts List
28-March-2017



*This parts list is current as of the above revision date.
See <http://www.rheempartslists.net/92-42800-RKNA.pdf> for the current revision.*

Package Gas-Electric - Commercial

Table of Contents

Model Explanation	Page 3
Parts Numbers	
Panels - Miscellaneous	Page 4
Electrical Group	Page 5
Fan Group	Page 5
Blower Group - Direct Drive	Page 6
Blower Group - Belt Drive	Page 7
Coil Parts	Page 8
Compressor Group	Page 8
Gas Controls	Page 9
Heat Exchanger-Burner Group	Page 10
Accessories	Page 11
Orifice Selection Chart	Page 12
Drawings/Photographs	
Exploded View	Page 13
Control Box	Page 14
Blower Assembly - Direct Drive	Page 14
Blower Assembly - Belt Drive	Page 15
Blower Motor Mount Assembly - Belt Drive	Page 16
Coil Group Cut-away View	Page 17
Evaporator Coil - Filter Parts	Page 17
Freeze Stat Control	Page 18
Compressor - Refrigeration Group	Page 18
Heat Exchanger Assembly	Page 19
In-Shot Burner Assembly - Before F4708	Page 19
One Piece Burner Assembly - After F4708	Page 20
TXV Identification Guide	Page 21
Notes/Disclaimer	Page 22

MODEL NUMBER EXPLANATION

R	K	N	A	-	A	0	3	6	J	K	0	8	E	X	X	A
1	2	3	4		5		6		7	8		9		10	11	12

1	TRADENAME	8	DRIVE PACKAGE K = Direct Drive L = Belt Drive M = Belt Drive - High Static
2	K = ROOFTOP - COMMERCIAL	9	HEAT CAPACITY (MBH) 08 = 80,000 10 = 100,000 12 = 120,000 13 = 135,000
3	EFFICIENCY DESIGNATION	10	IGNITION SYSTEM E = Electric Ignition, 1 Stage Gas Valve X = Electric Ignition, 1 Stage Gas Valve, NOX
4	DESIGN SERIES A = 1st Design	11	FACTORY INSTALLED OPTIONS
5	TECHNICAL VARIATIONS	12	ECONOMIZER OPTION A = No Economizer B = Economizer w/Single Enthalpy
6	COOLING CAPACITY (BTU/HR) 036 = 36,000 042 = 42,000 048 = 48,000 060 = 60,000		
7	ELECTRIC DESIGNATION J = 208-230/1/60 C = 208-230/3/60 D = 460/3/50		

SERIAL NUMBER EXPLANATION

1	X	A	1	2	3	4	A	A	A	A	F	26	99	00001
1	2			3		4	5	6	7	8	9	10	11	

1	GAS CODE	7	TECHNOLOGY VARIATIONS
2	BLOWER CONTROL BOARD	8	PRODUCTION LOCATION F = FORT SMITH, AR
3	COMPRESSOR IDENTIFICATION NUMBER	9	WEEK
4	IGNITION DEVICE	10	YEAR
5	INDUCER BLOWER	11	PRODUCTION NUMBER
6	HEAT EXCHANGER		

No.	Notes	MODEL TECHNICAL VARIATION COOLING CAPACITY	RKNA- A 036-060
PANELS, MISCELLANEOUS PARTS			
1		Base Rail - Side (2)	AE-58900-01
2		Base Rail - Condenser End	AE-58901-01
3		Base Rail - Evaporator End	AE-58902-01
4		Outdoor Coil Base Pan	AS-59051-01
5		Indoor Coil Base Pan	AS-58910-05
7		Condenser Bulkhead (Does not include Limit Baffle or Tube Support Angles)	AS-59126-01
		Limit Baffle - (Attached to Condenser Bulkhead)	AE-58913-02
		Tube Support Angle - (Attached To The Condenser Bulkhead)	AE-59139-01
8		Blower Bulkhead (Does not include Tube Support Angle, Blower Extension, or Insulation Retainer)	AS-59130-01
		Tube Support Angle - (Small Piece Attached To The Blower Bulkhead - Not Pictured)	AE-59139-02
9		Blower Extension - Front	AE-58928-01
10		Blower Extension - Back	AE-58928-02
		Insulation Retainer	AE-59059-01
11		Wire Chase Insulation Assembly	AS-58927-01
12		Corner Post (2)	AE-58965-01
14		Louvered Panel	See Accessories
15		Louvered Panel	See Accessories
16		Louvered Panel	See Accessories
17		Supply/Return Panels (2)	AS-58992-01
18		Rear Panel (Includes Insulation, Filler Panel, and Stripping)	AS-58976-01
19		Filler Panel - Return Air	AE-58974-01
		Filler Panel Stripping	AE-58897-10
20		Blower/Filter Access Panels (2)	AS-58990-01
21		Post - Left End	AS-58973-01
22		Front Panel	AS-59132-01
23		Grommet	56-22114-06
24		Heating Compartment Access Panel	AS-58988-02
25		Flue Hood	AS-58882-01
		Flue Hood Gasket	68-23680-03
		Mounting Panel - External Disconnect	AE-59133-01
26		Compressor Access Panel	AE-58983-02
27		Power Entry Panel	AE-58968-03
28		Front Post	AE-58967-01
29		Indoor Coil Top Panel Assembly	AS-58979-01
30		Condenser Top Panel Assembly	AS-58982-01
32		Wire Grille	95-101660-01
34		Control Box (w/o components)	AS-59039-01

No.	Notes	MODEL TECHNICAL VARIATION COOLING CAPACITY ELECTRICAL DESIGNATION	RKNA- A 036-060 C	RKNA- A 036-060 D	RKNA- A 036-060 J			
ELECTRIC GROUP								
CONTROL BOX COMPONENTS (Items 37-43):								
37	Stk	Integrated Furnace Control (IFC)	62-23599-03	62-23599-03	62-23599-03			
		Wiring Harness - IFC	AS-102393-01	AS-102393-01	AS-102393-01			
38	Stk	Belt Drive Blower Contactor	42-40594-01	42-22464-01	N/A			
		Direct Drive Blower Relay (060)	42-101208-02	N/A	42-101208-02			
39		Compressor Time Delay Relay	See Accessories					
40	Stk	Compressor Contactor	See Compressor Group					
42		Step-down Transformer	N/A	N/A	N/A			
43	Stk	Transformer	46-18788-07	46-23600-02	46-18788-07			
44		Aux Limit - Blower Ext.	47-17359-30	47-17359-30	47-17359-30			
	Stk	Pressure Switch	42-24335-20	42-24335-20	42-24335-20			
48	Stk	Inducer Blower Motor - Including Gasket	70-23641-01	70-23641-02	70-23641-01			
49	Stk	Inducer Blower Motor Gasket	68-23643-01	68-23643-01	68-23643-01			
50		Low Pressure Control	See Accessories					
51		High Pressure Control	See Accessories					
52		Freeze Stat	See Accessories					

No.	Notes	MODEL TECHNICAL VARIATION COOLING CAPACITY ELECTRICAL DESIGNATION	RKNA A 036 C	RKNA- A 036 D	RKNA- A 036 J	RKNA- A 042 C	RKNA- A 042 D	RKNA- A 042 J
FAN GROUP								
35	Stk	Fan Motor	51-100998-05	51-100998-07	51-100998-05	51-100998-05	51-100998-07	51-100998-05
36	Stk	Fan Blade	70-23594-01	70-23594-01	70-23594-01	70-23594-01	70-23594-01	70-23594-01
41	Stk	Capacitor - Fan Motor	43-100496-04	43-100496-04	See Compressor Group	43-100496-04	43-100496-04	See Compressor Group
		Capacitor Adapter Plate	AE-54609-02	AE-54609-02	N/A	AE-54609-02	AE-54609-02	N/A

No.	Notes	MODEL TECHNICAL VARIATION COOLING CAPACITY ELECTRICAL DESIGNATION	RKNA- A 048 C	RKNA- A 048 D	RKNA- A 048 J	RKNA- A 060 C	RKNA- A 060 D	RKNA- A 060 J
FAN GROUP								
35	Stk	Fan Motor	51-100998-05	51-100998-07	51-100998-05	51-100998-13	51-100998-12	51-100998-13
36	Stk	Fan Blade	70-23594-01	70-23594-01	70-23594-01	70-42484-01	70-42484-01	70-42484-01
41	Stk	Capacitor - Fan Motor	43-100496-04	43-100496-04	See Compressor Group	43-100496-12	43-100496-12	See Compressor Group
		Capacitor Adapter Plate	AE-54609-02	AE-54609-02	N/A	AE-54609-02	AE-54609-02	N/A

No.	Notes	MODEL TECHNICAL VARIATION COOLING CAPACITY ELECTRIC DESIGNATION DRIVE PACKAGE	RKNA- A 036-048 C K	RKNA- A 036-048 D K	RKNA- A 036-08 J K
BLOWER GROUP - DIRECT DRIVE					
53	Stk	Blower Assembly	AS-59050-03	AS-59050-09	AS-59050-03
54		Housing	AS-58944-01	AS-58944-01	AS-58944-01
55	Stk	Wheel	70-23110-30	70-23110-30	70-23110-30
56		Cut-Off Tabulation	AE-64401-05	AE-64401-05	AE-64401-05
57	Stk	Blower Motor	51-23679-01	51-23679-02	51-23679-01
58	Stk	Motor Capacitor	43-100497-12	43-100497-12	43-100497-12
59		Motor Band	70-19927-01	70-19927-01	70-19927-01
60		Motor Mounting Arm (3)	70-19929-02	70-19929-02	70-19929-02
61		Blower Support	AE-58950-02	AE-58950-02	AE-58950-02

No.	Notes	MODEL TECHNICAL VARIATION COOLING CAPACITY ELECTRIC DESIGNATION DRIVE PACKAGE	RKNA- A 060 C K	RKNA- A 060 D K	RKNA- A 060 J K
BLOWER GROUP - DIRECT DRIVE					
53	Stk	Blower Assembly	AS-59050-13	N/A	AS-59050-13
54		Housing	AS-58944-01	AS-58944-01	AS-58944-01
55	Stk	Wheel	70-23110-30	70-23110-30	70-23110-30
56		Cut-Off Tabulation	AE-64401-05	AE-64401-05	AE-64401-05
57	Stk	Blower Motor	51-101984-01	N/A	51-101984-01
58	Stk	Motor Capacitor	N/A	N/A	N/A
59		Motor Band	70-19927-03	N/A	70-19927-03
60		Motor Mounting Arm (3)	70-19929-09	N/A	70-19929-09
61		Blower Support	AE-58950-02	AE-58950-02	AE-58950-02

No.	Notes	MODEL TECHNICAL VARIATION COOLING CAPACITY ELECTRICAL DESIGNATION DRIVE PACKAGE	RKNA-	RKNA-	RKNA-	RKNA-
			A 036-060 C L	A 036-060 D L	A 036-060 C M	A 036-060 D M
BLOWER GROUP - BELT DRIVE						
62	Stk	Blower Assembly (Items 63-73, Excluding 67 and 72b) - Size 036	AS-101336-01	AS-101336-01	AS-101336-05	AS-101336-05
62	Stk	Blower Assembly (Items 63-73, Excluding 67 and 72b) - Size 042	AS-101336-01	AS-101336-01	AS-101336-01	AS-101336-01
62	Stk	Blower Assembly (Items 63-73, Excluding 67 and 72b) - Size 048	AS-101336-05	AS-101336-05	AS-101336-04	AS-101336-04
62	Stk	Blower Assembly (Items 63-73, Excluding 67 and 72b) - Size 060	AS-101336-05	AS-101336-05	AS-101336-05	AS-101336-05
63		Housing	AS-101341-01	AS-101341-01	AS-101341-01	AS-101341-01
64		Bearing Frame Tri-Arm (2)	70-41723-03	70-41723-03	70-41723-03	70-41723-03
65	Stk	Ball Bearing and Cushion (2)	70-41911-01	70-41911-01	70-41911-01	70-41911-01
66	Stk	Blower Shaft	70-21933-02	70-21933-02	70-21933-02	70-21933-02
67	Stk	Fixed Pitch Sheave - Size 036	71-21932-04	71-21932-04	71-21932-03	71-21932-03
67	Stk	Fixed Pitch Sheave - Size 042	71-21932-04	71-21932-04	71-21932-04	71-21932-04
67	Stk	Fixed Pitch Sheave - Size 048	71-21932-03	71-21932-03	71-21932-02	71-21932-02
67	Stk	Fixed Pitch Sheave - Size 060	71-21932-03	71-21932-03	71-21932-03	71-21932-03
68		Blower Support - Left	AE-58950-02	AE-58950-02	AE-58950-02	AE-58950-02
69	Stk	Wheel	70-23589-01	70-23589-01	70-23589-01	70-23589-01
70		Cut-Off Tabulation	AE-64401-05	AE-64401-05	AE-64401-05	AE-64401-05

No.	Notes	MODEL TECHNICAL VARIATION COOLING CAPACITY ELECTRICAL DESIGNATION DRIVE PACKAGE	RKNA-	RKNA-	RKNA-	RKNA-
			A 036-060 C L	A 036-060 D L	A 036-060 C M	A 036-060 D M
BLOWER MOTOR MOUNTING - BELT DRIVE						
71		Blower Bracket - Sizes 036-060	AE-101124-01	AE-101124-01	AE-101124-01	AE-101124-01
72		Blower Bracket - Drive Side - Sizes 036-060	AE-101124-04	AE-101124-04	AE-101124-04	AE-101124-04
72a		Grommet	56-18518-04	56-18518-04	56-18518-04	56-18518-04
72b		Cross Brace	AE-101467-01	AE-101467-01	AE-101467-01	AE-101467-01
73		Motor Mount Assembly - Sizes 036-060	AS-101340-01	AS-101340-01	AS-101340-01	AS-101340-01

No.	Notes	MODEL TECHNICAL VARIATION COOLING CAPACITY ELECTRICAL DESIGNATION DRIVE PACKAGE	RKNA-	RKNA-	RKNA-	RKNA-
			A 036-060 C L	A 036-060 D L	A 036-060 C M	A 036-060 D M
BLOWER MOTOR GROUP - BELT DRIVE						
74	Stk	Motor - Size 036	51-42579-01	51-42579-01	51-42579-01	51-42579-01
74	Stk	Motor - Size 042	51-42579-01	51-42579-01	51-42579-01	51-42579-01
74	Stk	Motor - Size 048	51-42579-01	51-42579-01	51-21909-01	51-21909-01
74	Stk	Motor - Size 060	51-21909-01	51-21909-01	51-41936-01	51-41936-01
75	Stk	Variable Pitch Sheave - Size 036	71-40427-30	71-40427-30	71-40427-25	71-40427-25
75	Stk	Variable Pitch Sheave - Size 042	71-40427-29	71-40427-29	71-40427-43	71-40427-43
75	Stk	Variable Pitch Sheave - Size 048	71-40427-29	71-40427-29	71-40427-25	71-40427-25
75	Stk	Variable Pitch Sheave - Size 060	71-40427-29	71-40427-29	71-40427-43	71-40427-43
76	Stk	Belt - Size 036	71-40235-43	71-40235-43	71-40235-43	71-40235-43
76	Stk	Belt - Size 042	71-40235-43	71-40235-43	71-40235-44	71-40235-44
76	Stk	Belt - Size 048	71-40235-42	71-40235-42	71-40235-42	71-40235-42
76	Stk	Belt - Size 060	71-40235-42	71-40235-42	71-40235-44	71-40235-44

No.	Notes	MODEL TECHNICAL VARIATION COOLING CAPACITY	RKNA- A 036	RKNA- A 042	RKNA- A 048	RKNA- A 060
COIL GROUP						
EVAPORATOR COIL:						
6		Filter Keeper	AE-59168-01	AE-59168-01	AE-59168-01	AE-59168-01
77	Stk	Evaporator Coil	AS-101718-03	AS-101719-03	AS-101720-03	AS-101721-03
Important Note: Different manufacturers of TXV were used on this unit, and the exact part number must be used when making repair. To obtain the correct part number of the TXV either: (1) Provide the part number of TXV assembly by examining unit, or (2) Provide unit model number and TXV manufacturer. (See attached TXV identification guide for assistance.)						
78	Stk	TXV - Sporlan	61-101351-03	61-101351-08	61-101351-08	61-101351-10
78	Stk	TXV - Emerson	61-101985-12	61-101985-08	61-101985-09	61-101985-10
		Strainer	83-26020-02	83-26020-02	83-26020-02	83-26020-02
80		Top Air Stop	AE-58933-01	AE-58933-01	AE-58933-01	AE-58933-01
81		Top Coil Support	AE-58941-01	AE-58941-01	AE-58941-01	AE-58941-01
82		Filter Channels (3) Center is two channels back-to-back	AE-58934-01	AE-58934-01	AE-58934-01	AE-58934-01
83		Indoor Coil Drain Pan	68-23559-01	68-23559-01	68-23559-01	68-23559-01
CONDENSER COIL:						
84	Stk	Condenser Coil	AS-101714-03	AS-101715-01	AS-101716-01	AS-101717-01
85		Filter - Disposable (2)	54-17531-10	54-17531-10	54-17531-10	54-17531-10

No.	Notes	MODEL TECHNICAL VARIATION COOLING CAPACITY ELECTRICAL DESIGNATION	RKNA- A 036 J	RKNA- A 042 J	RKNA- A 048 J	RKNA- A 060 J
COMPRESSOR GROUP						
Compressor ID:			7283	7309	7310	7311
86	Stk	Compressor	55-100835-25S	55-100835-10S	55-100835-11S	55-100835-18
40		Contactora	42-42728-03	42-42728-03	42-42478-02	42-42478-02
41	Stk	Capacitor - Fan/Compressor	43-26261-15	43-26261-17	43-26271-20	43-101665-30
		Compressor Wiring Harness - Molded Plug	45-100834-80	45-100834-80	45-100834-80	45-100834-80
		Bulkhead Valve Assembly (Suction Line)	61-101821-02	61-101821-02	61-101821-02	61-101821-02
		Bulkhead Valve Assembly (Liquid Line)	61-101821-01	61-101821-01	61-101821-01	61-101821-01

No.	Notes	MODEL TECHNICAL VARIATION COOLING CAPACITY ELECTRICAL DESIGNATION	RKNA- A 036 C	RKNA- A 042 C	RKNA- A 048 C	RKNA- A 060 C
COMPRESSOR GROUP						
Compressor ID:			7360	7361	7362	7363
86	Stk	Compressor	55-100835-34S	55-100835-36S	55-100835-29S	55-100835-38S
40		Contactora	42-22464-01	42-22464-01	42-22464-01	42-22464-01
		Compressor Wiring Harness - Molded Plug	45-100834-80	45-100834-80	45-100834-80	45-100834-80
		Bulkhead Valve Assembly (Suction Line)	61-101821-02	61-101821-02	61-101821-02	61-101821-02
		Bulkhead Valve Assembly (Liquid Line)	61-101821-01	61-101821-01	61-101821-01	61-101821-01

No.	Notes	MODEL TECHNICAL VARIATION COOLING CAPACITY ELECTRICAL DESIGNATION	RKNA- A 036 D	RKNA- A 042 D	RKNA- A 048 D	RKNA- A 060 D
COMPRESSOR GROUP						
Compressor ID:			7364	7365	7366	7367
86	Stk	Compressor	55-100835-35S	55-100835-37S	55-100835-33S	55-100835-39S
40		Contactora	42-22464-01	42-22464-01	42-22464-01	42-22464-01
		Compressor Wiring Harness - Molded Plug	45-100834-80	45-100834-80	45-100834-80	45-100834-80
		Bulkhead Valve Assembly (Suction Line)	61-101821-02	61-101821-02	61-101821-02	61-101821-02
		Bulkhead Valve Assembly (Liquid Line)	61-101821-01	61-101821-01	61-101821-01	61-101821-01

No.	Notes	MODEL TECHNICAL VARIATION HEATING CAPACITY	RKNA- A 08	RKNA- A 10	RKNA- A 12	RKNA- A 13
DIRECT SPARK IGNITION - HONEYWELL GAS CONTROL						
SERIAL CONTROL CODES - 2G						
107	Stk	Gas Valve - Natural Gas (H/W VR8205S2296)	60-105055-01	60-105055-01	60-105055-01	60-105055-01
108		Street Elbow	81-17487-01	81-17487-01	81-17487-01	81-17487-01
		Nipple	81-40683-02	81-40683-02	81-40683-02	81-40683-02
	Stk	LP Conversion Kit	EP-85H	EP-85H	EP-85H	EP-85H
104		Burner Orifice - LP	See Conversion Kit Index			

No.	Notes	MODEL TECHNICAL VARIATION HEATING CAPACITY	RKNA- A 08	RKNA- A 10	RKNA- A 12	RKNA- A 13
DIRECT SPARK IGNITION - HONEYWELL GAS CONTROL						
SERIAL CONTROL CODES - 1R						
107	Stk	Gas Valve - Natural Gas (H/W VR8205M1106)	60-105055-01	60-105055-01	60-105055-01	60-105055-01
108		Street Elbow	81-17487-01	81-17487-01	81-17487-01	81-17487-01
		Nipple	81-40683-02	81-40683-02	81-40683-02	81-40683-02
	Stk	LP Conversion Kit	EP-85H	EP-85H	EP-85H	EP-85H
104		Burner Orifice - LP	See Conversion Kit Index			

No.	Notes	MODEL TECHNICAL VARIATION HEATING CAPACITY	RKNA- A 08	RKNA- A 10	RKNA- A 12	RKNA- A 13
DIRECT SPARK IGNITION - WHITE-RODGERS GAS CONTROL						
SERIAL CONTROL CODES - 2A						
107	Stk	Gas Valve - Natural Gas (W/R 36E23-202)	60-24290-01	60-24290-01	60-24290-01	60-24290-01
108		Street Elbow	81-40271-04	81-40271-04	81-40271-04	81-40271-04
	Stk	LP Conversion Kit	EP-84W	EP-84W	EP-84W	EP-84W
104		Burner Orifice - LP	See Conversion Kit Index			

No.	Notes	MODEL TECHNICAL VARIATION HEATING CAPACITY	RKNA- A 08	RKNA- A 10	RKNA- A 12	RKNA- A 13
DIRECT SPARK IGNITION - WHITE-RODGERS GAS CONTROL						
SERIAL CONTROL CODES - 1X						
107	Stk	Gas Valve - Natural Gas (W/R 36E37-214)	60-23490-01	60-23490-01	60-23490-01	60-23490-01
108		Street Elbow	81-40271-04	81-40271-04	81-40271-04	81-40271-04
	Stk	LP Conversion Kit	EP-84W	EP-84W	EP-84W	EP-84W
104		Burner Orifice - LP	See Conversion Kit Index			

No.	Notes	MODEL TECHNICAL VARIATION HEATING CAPACITY		RKNA- A 10		
DIRECT SPARK IGNITION - WHITE-RODGERS GAS CONTROL						
SERIAL CONTROL CODES - 2X						
107	Stk	GAS VALVE - WR 36J24-224		60-106207-01		
108		STREET ELBOW		81-17487-01		
	Stk	LP CONVERSION KIT		EP-84W		
104		BURNER ORIFICE - LP	(See Conversion Kit Index)			

No.	Notes	MODEL TECHNICAL VARIATION HEATING CAPACITY	RKNA- A 08	RKNA- A 10	RKNA- A 12	RKNA- A 13
HEAT EXCHANGER, BURNER/MANIFOLD						
45	Stk	Limit - Main Limit - (Condenser Bulkhead) E - Electric Ignition	47-23610-19	47-23610-21	47-23610-21	47-23610-19
45	Stk	Limit - Main Limit - (Condenser Bulkhead) X - Electric Ignition with NOX	47-23610-23	47-23610-25	47-23610-29	47-23610-19
46		Main Limit Shield	AS-59152-01	AS-59152-01	AS-59152-01	AS-59152-01
87	Stk	Heat Exchanger - Includes Center Panel	AS-59066-01	AS-59066-05	AS-59066-04	AS-59066-04
88		Turbulators (NOX)	AE-58922-01	AE-58922-01	AE-58922-01	AE-58922-01
89		NOX Inserts	75-23684-01	75-23684-01	75-23684-01	75-23684-01
90		Divider Plate Gasket	68-23680-02	68-23680-02	68-23680-02	68-23680-02
91		Divider Plate	AE-59067-01	AE-59067-01	AE-59067-01	AE-59067-01
92		Collector Box Gasket	68-23680-01	68-23680-01	68-23680-01	68-23680-01
93		Collector Box Cover	AE-59068-01	AE-59068-02	AE-59068-06	AE-59068-03
94		Flue Duct	75-23678-01	75-23678-01	75-23678-01	75-23678-01
95		Flue Duct Gasket	68-23680-03	68-23680-03	68-23680-03	68-23680-03
96		Burner Shield	AE-58886-01	AE-58886-01	AE-58886-01	AE-58886-01
97	Stk	Limit (Manual Reset) - Before Approximate Date Code F4708	47-22861-01 (1)	47-22861-01 (2)	47-22861-01 (2)	47-22861-01 (2)
97	Stk	Limit (Manual Reset) - After Approximate Date Code F4708	47-22861-02 (1)	47-22861-02 (2)	47-22861-02 (2)	47-22861-02 (2)
98		Burner Compartment Floor	AE-58932-02	AE-58932-02	AE-58932-02	AE-58932-02

No.	Notes	MODEL TECHNICAL VARIATION HEATING CAPACITY	RKNA- A 08	RKNA- A 10	RKNA- A 12	RKNA- A 13
BURNER / MANIFOLD GROUP						
99	Stk, 1	Burner Tube w/Shield - Before Approximate Date Code F4708	75-22840-02 (4)	75-22840-02 (5)	75-22840-02 (6)	75-22840-02 (6)
99	Stk, 1	Burner Assembly - After Approximate Date Code F4708	AS-60993-04	AS-60993-05	AS-60993-06	AS-60993-06
99a		Bushing - After Approximate Date Code F4708	45-42519-01	45-42519-01	45-42519-01	45-42519-01
100		Burner Support - (Holds the Burners between the Burner Support Brackets) - Before Approximate Date Code F4708	AE-58887-02	AE-58887-02	AE-58887-02	AE-58887-02
100		Burner Support - (Holds the Burners between the Burner Support Brackets) - After Approximate Date Code F4708	AE-102650-01	AE-102650-01	AE-102650-01	AE-102650-01
101		Burner Support Bracket (2) - Before Approximate Date Code F4708	AE-61588-01	AE-61588-01	AE-61588-01	AE-61588-01
101		Burner Support Bracket (2) - After Approximate Date Code F4708	AE-61588-02	AE-61588-02	AE-61588-02	AE-61588-02
102	Stk	Manifold (w/o Orifices)	81-101153-01	81-101153-01	81-101153-01	81-101153-01
103		Square Head Plug - (Used on Manifold to plug extra holes)	81-23593-01 (3)	81-23593-01 (2)	81-23593-01 (1)	81-23593-01 (1)
104		Burner Orifice - Natural Gas:	See Orifice Selection Chart			
104		Burner Orifice - LP:	See Orifice Selection Chart			
104		Number of Orifices	(4)	(5)	(6)	(6)
105	Stk	Flame Sensor	62-23543-02	62-23543-02	62-23543-02	62-23543-02
106	Stk	Ignition Electrode and Cable	62-23556-01	62-23556-01	62-23556-01	62-23556-01

No.	Notes	MODEL TECHNICAL VARIATION COOLING CAPACITY	RKNA- A 036-060
OPTIONS AND ACCESSORIES			
		Louver Panel Kit	RXRX-AAD01B
		Low Ambient Control Kit	RXRZ-A18
		Time Delay Control Kit	RXMD-B01
		Low Pressure Control Kit	RXAC-A02
		High Pressure Control Kit	RXAB-A02
		Freeze Stat	RXRX-AM01
		Economizer - Single Enthalpy (Before Approximately 4/2006)	RXRD-KECM3
		Economizer - Single Enthalpy (After Approximately 4/2006)	RXRD-MECM3
		Dual Enthalpy Upgrade Kit	RXRX-AV02
		Carbon Dioxide Sensor	RXRX-AR02
		Power Exhaust	RXRX-BFF04C
		Fresh Air Damper - Manual	RXRF-FBA1
		Fresh Air Damper - Motorized	RXRF-FBB1
		Disconnect Switch	42-100650-01

PACKAGE EQUIPMENT - ORIFICE SELECTION CHART - NATURAL GAS

CAUTION: Selection of the correct Natural Gas Orifice requires the following information for the specific installation:

- 1) Furnace Input Rating (BTU/HR)
- 2) Number of Burners
- 2) Altitude (ft.)

For detailed information and instructions for Orifice selection, see the Gas Furnace LP Conversion Kit Index 92-21519-47 and the latest edition of the National Fuel Gas Code Handbook, or the National Standard of Canada, Natural Gas and Propane Installation Code, CAN B149.1.

CAUTION: This information is provided for replacement purposes only. Conversion for operation at High Altitude must be done using the kit specified on the product specification sheet for the unit.

NOTE: This Orifice sizing chart is based on a Natural Gas heating value of 1075 BTU/cu. ft and a pressure setting of 3.5 in. water column.

NOTE: Factory installed orifices are calculated and sized based on a Natural Gas heating value of 1075 BTU/cu. ft. and an elevation of 0 - 2000 ft.

Furnace Input Rating (BTU/HR)	Canadian High Altitude Derated Input (BTU/HR)	Number of Burners	Elevation (ft.)					
			Country					
			0 - 2000 U.S.	2001 - 4000 U.S.	4001 - 6000 U.S.	8000+ U.S.	0 - 2000 Canada	2001 - 4500 Canada
40,000	36,000	2	62-22175-45	62-22175-47	62-22175-48	62-22175-49	62-22175-45	62-22175-15
60,000	54,000	3	62-22175-45	62-22175-47	62-22175-48	62-22175-49	62-22175-45	62-22175-15
72,000	N/A	4	62-22175-15	62-22175-49	62-22175-50	62-22175-51	62-22175-15	N/A
80,000	72,000	4	62-22175-45	62-22175-47	62-22175-48	62-22175-49	62-22175-45	62-22175-15
90,000	N/A	5	62-22175-15	62-22175-49	62-22175-50	62-22175-51	62-22175-15	N/A
100,000	90,000	5	62-22175-45	62-22175-47	62-22175-48	62-22175-49	62-22175-45	62-22175-15
120,000	108,000	6	62-22175-45	62-22175-47	62-22175-48	62-22175-49	62-22175-45	62-22175-15
135,000	121,500	6	62-22175-44	62-22175-45	62-22175-47	62-22175-48	62-22175-44	62-22175-45
150,000	135,000	6	62-22175-42	62-22175-43	62-22175-44	62-22175-45	62-22175-42	62-22175-44
180,000	N/A	9	62-22175-45	62-22175-47	62-22175-48	62-22175-49	62-22175-45	N/A
210,000	N/A	9	62-22175-43	62-22175-44	62-22175-45	62-22175-47	62-22175-43	N/A
210,000	N/A	10	62-22175-45	62-22175-47	62-22175-48	62-22175-49	62-22175-45	N/A
225,000	202,500	9	62-22175-42	62-22175-43	62-22175-44	62-22175-45	62-22175-42	62-22175-44
250,000	225,000	10	62-22175-42	62-22175-43	62-22175-44	62-22175-45	62-22175-42	62-22175-44
252,000	225,000	9	62-22175-40	62-22175-42	62-22175-43	62-22175-44	62-22175-40	62-22175-42
252,000	N/A	12	62-22175-45	62-22175-47	62-22175-48	62-22175-49	62-22175-45	N/A
290,000	N/A	14	62-22175-45	62-22175-47	62-22175-48	62-22175-49	62-22175-45	N/A
300,000	270,000	12	62-22175-42	62-22175-43	62-22175-44	62-22175-45	62-22175-42	62-22175-44
330,000	N/A	14	62-22175-43	62-22175-44	62-22175-45	62-22175-47	62-22175-43	N/A
350,000	315,000	14	62-22175-42	62-22175-43	62-22175-44	62-22175-45	62-22175-42	62-22175-44
400,000	360,000	14	62-22175-40	62-22175-42	62-22175-43	62-22175-44	62-22175-40	62-22175-42

PACKAGE EQUIPMENT - ORIFICE SELECTION CHART - LP

CAUTION: Selection of the correct LP Orifice requires the following information for the specific installation:

- 1) Furnace Input Rating (BTU/HR)
- 2) Number of Burners
- 2) Altitude (ft.)

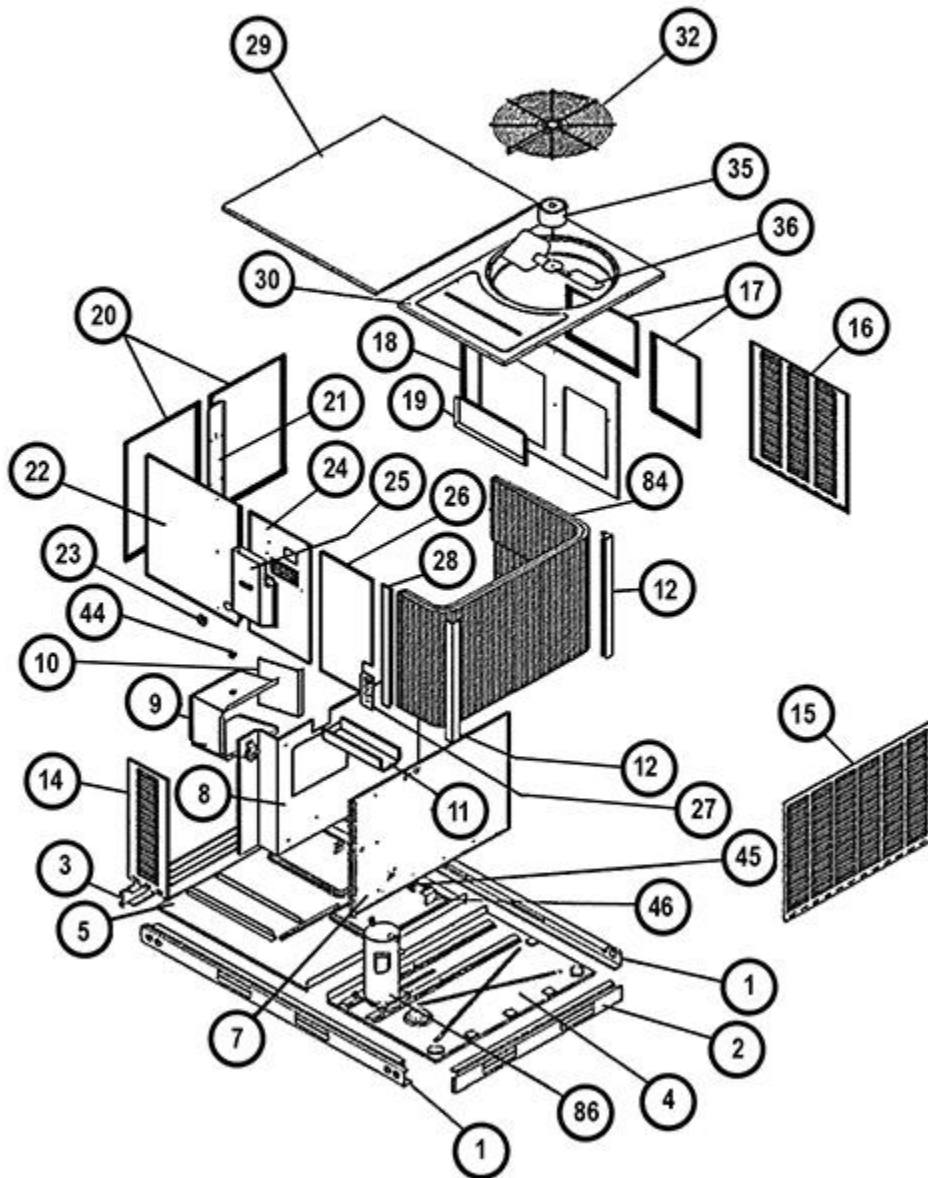
For detailed information and instructions for Orifice selection, see the Gas Furnace LP Conversion Kit Index 92-21519-47 and the latest edition of the National Fuel Gas Code Handbook, or the National Standard of Canada, Natural Gas and Propane Installation Code, CAN B149.1.

CAUTION: This information is provided for replacement purposes only. Conversion to LP or for operation at High Altitude should be done using the kit(s) specified on the product specification sheet for the unit.

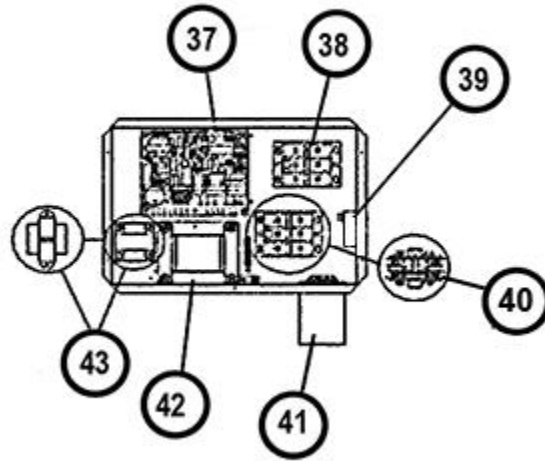
NOTE: This Orifice sizing chart is developed using the specified pressure setting of 10 in. water column instead of the 11.0 in water column used by the NFG and CANB149.1.

NOTE: Orifices supplied in the LP Conversion Kit are calculated and sized based on a heating value of 2500 BTU/cu. ft. and an elevation of 0 - 2000 ft.

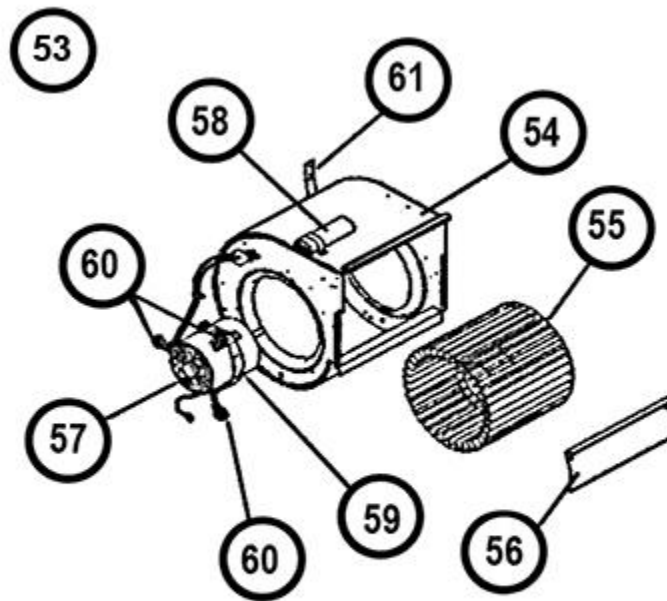
Furnace Input Rating (BTU/HR)	Canadian High Altitude Derated Input (BTU/HR)	Number of Burners	Elevation (ft.)					
			Country					
			0 - 2000 U.S.	2001 - 4000 U.S.	4001 - 6000 U.S.	8000+ U.S.	0 - 2000 Canada	2001 - 4500 Canada
40,000	36,000	2	62-22175-55	62-22175-55	62-22175-56	62-22175-56	62-22175-55	62-22175-13
60,000	54,000	3	62-22175-55	62-22175-55	62-22175-56	62-22175-56	62-22175-55	62-22175-13
72,000	N/A	4	62-22175-13	62-22175-57	62-22175-57	62-22175-59	62-22175-13	N/A
80,000	72,000	4	62-22175-55	62-22175-55	62-22175-56	62-22175-56	62-22175-55	62-22175-13
90,000	N/A	5	62-22175-13	62-22175-57	62-22175-57	62-22175-59	62-22175-13	N/A
100,000	90,000	5	62-22175-55	62-22175-55	62-22175-56	62-22175-56	62-22175-55	62-22175-13
120,000	108,000	6	62-22175-55	62-22175-55	62-22175-56	62-22175-56	62-22175-55	62-22175-13
135,000	121,500	6	62-22175-54	62-22175-55	62-22175-55	62-22175-56	62-22175-54	62-22175-55
150,000	135,000	6	62-22175-54	62-22175-55	62-22175-55	62-22175-56	62-22175-54	62-22175-54
180,000	N/A	9	62-22175-55	62-22175-55	62-22175-56	62-22175-56	62-22175-55	N/A
210,000	N/A	9	62-22175-54	62-22175-55	62-22175-55	62-22175-56	62-22175-54	N/A
210,000	N/A	10	62-22175-55	62-22175-55	62-22175-56	62-22175-56	62-22175-55	N/A
225,000	202,500	9	62-22175-54	62-22175-55	62-22175-55	62-22175-56	62-22175-54	62-22175-54
250,000	225,000	10	62-22175-54	62-22175-55	62-22175-55	62-22175-56	62-22175-54	62-22175-54
252,000	225,000	9	62-22175-53	62-22175-54	62-22175-54	62-22175-55	62-22175-53	62-22175-54
252,000	N/A	12	62-22175-55	62-22175-55	62-22175-56	62-22175-56	62-22175-55	N/A
290,000	N/A	14	62-22175-55	62-22175-55	62-22175-56	62-22175-56	62-22175-55	N/A
300,000	270,000	12	62-22175-54	62-22175-55	62-22175-55	62-22175-56	62-22175-54	62-22175-54
330,000	N/A	14	62-22175-54	62-22175-55	62-22175-55	62-22175-56	62-22175-54	N/A
350,000	315,000	14	62-22175-54	62-22175-55	62-22175-55	62-22175-56	62-22175-54	62-22175-54
400,000	360,000	14	62-22175-53	62-22175-54	62-22175-54	62-22175-55	62-22175-53	62-22175-54



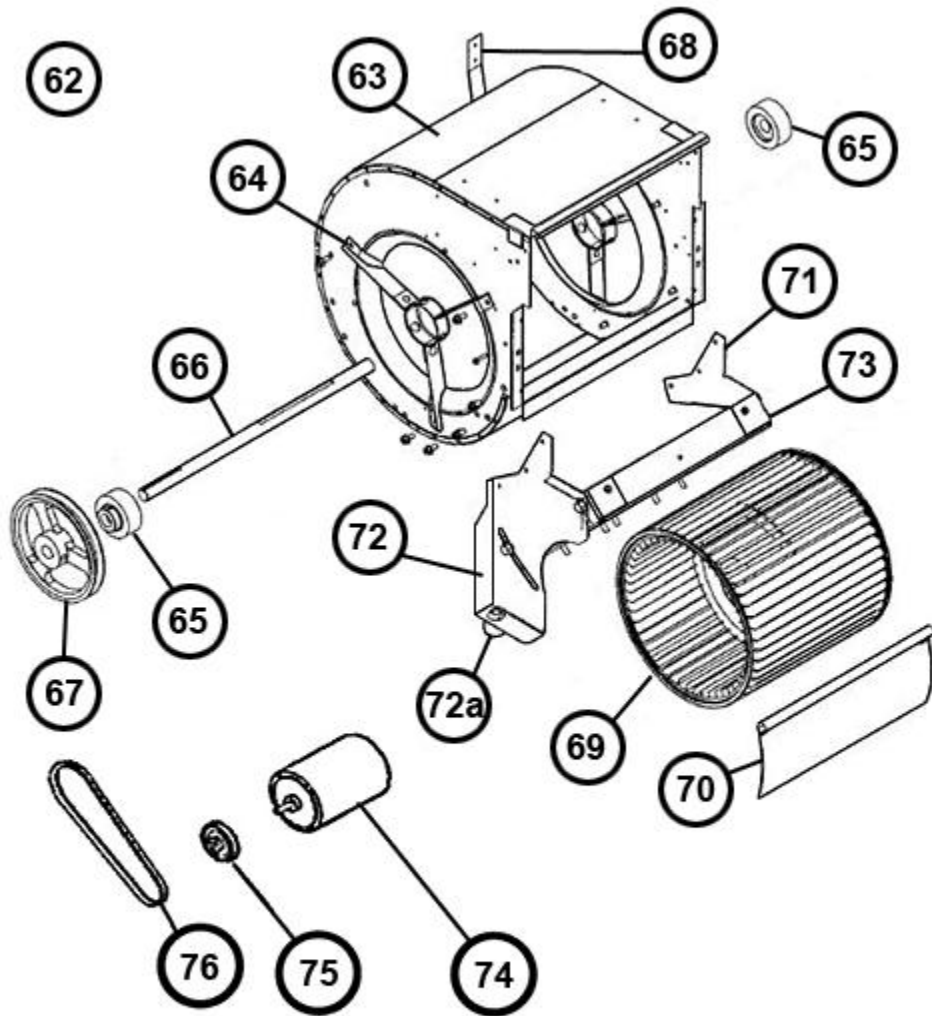
Exploded View



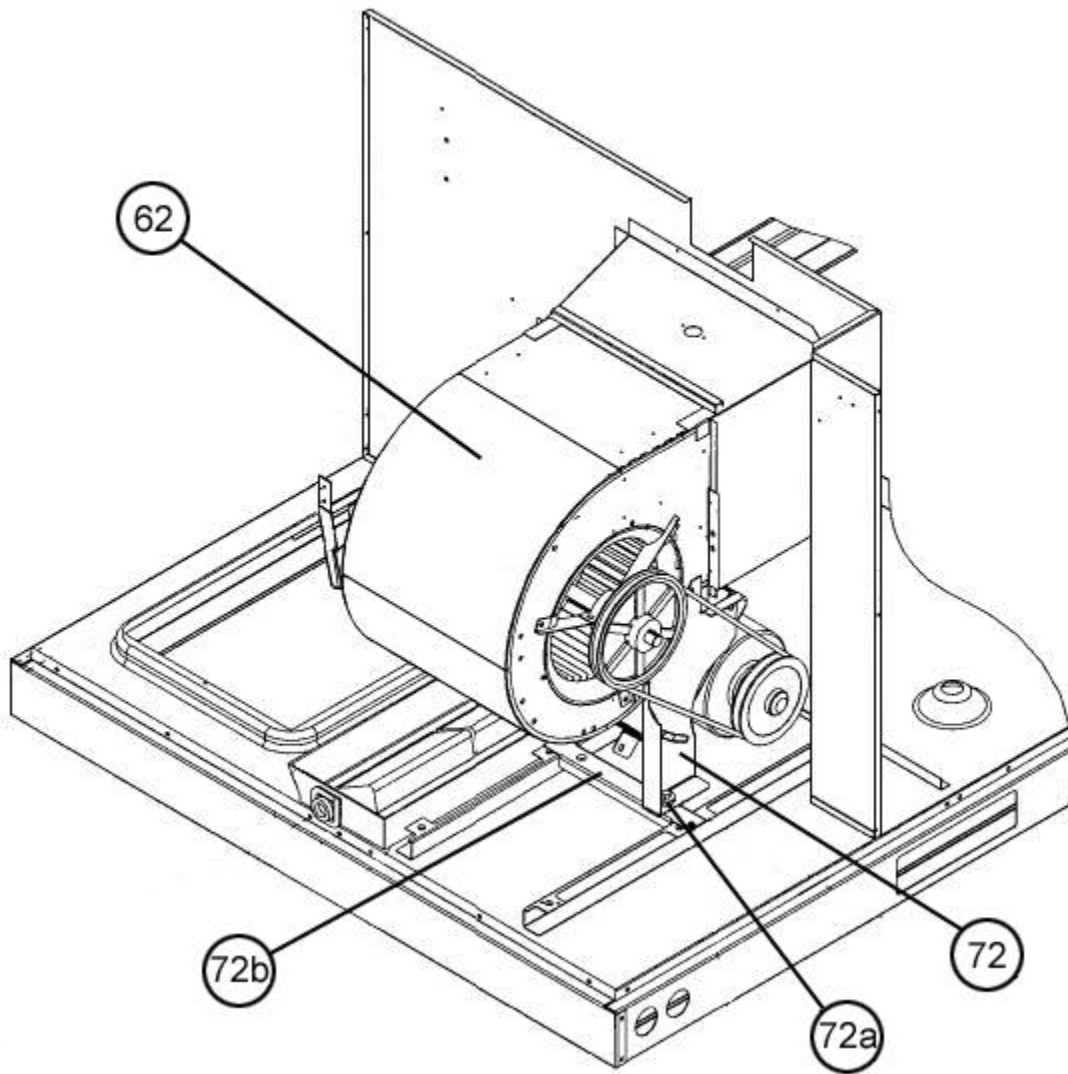
Control Box



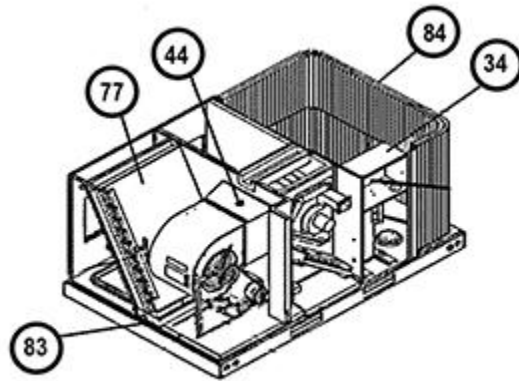
Blower Assembly - Direct Drive



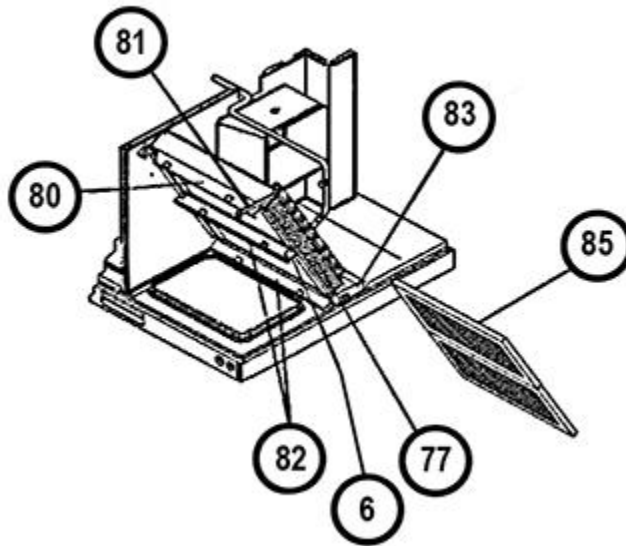
Blower Assembly - Belt Drive



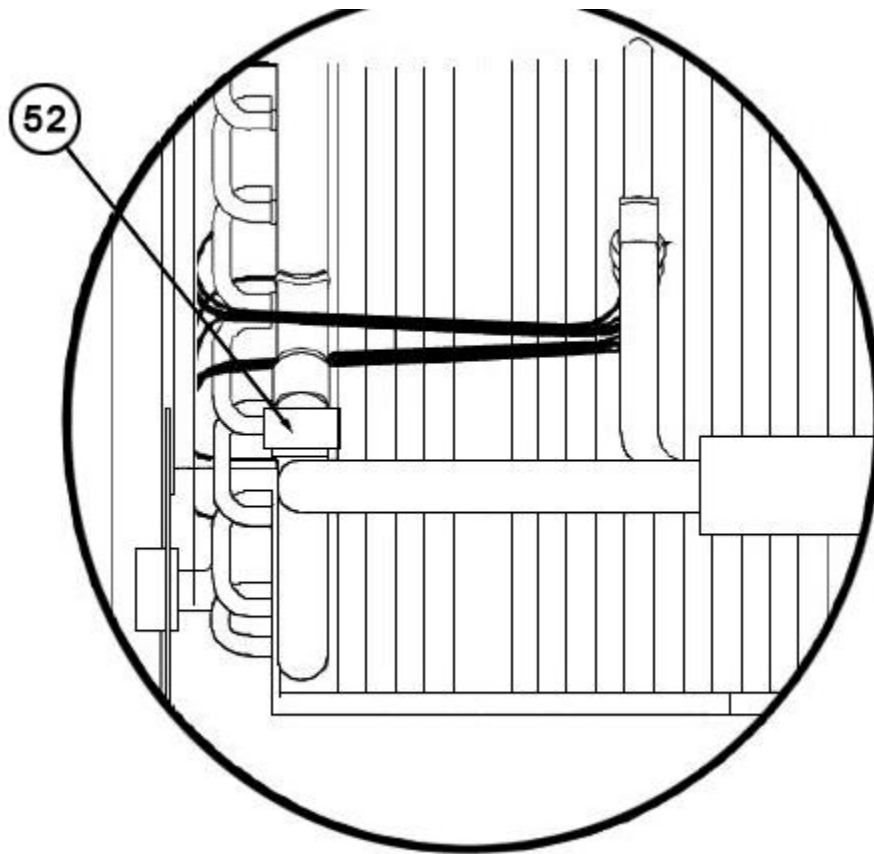
Blower Motor Mount Assembly - Belt Drive



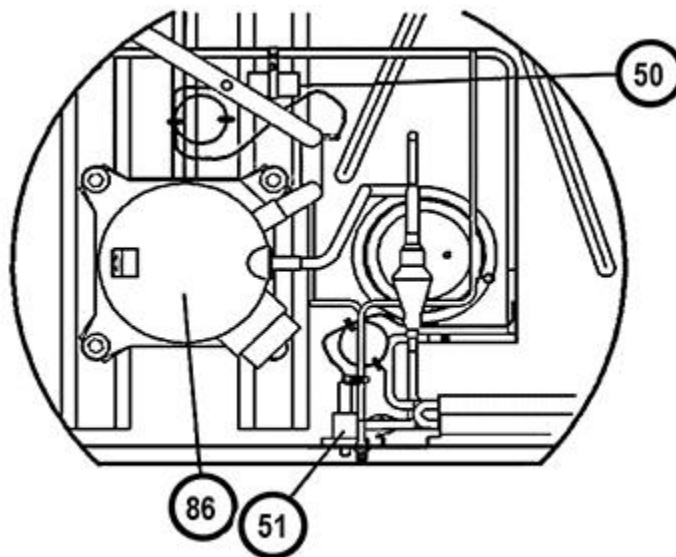
Coil Group Cut-away View



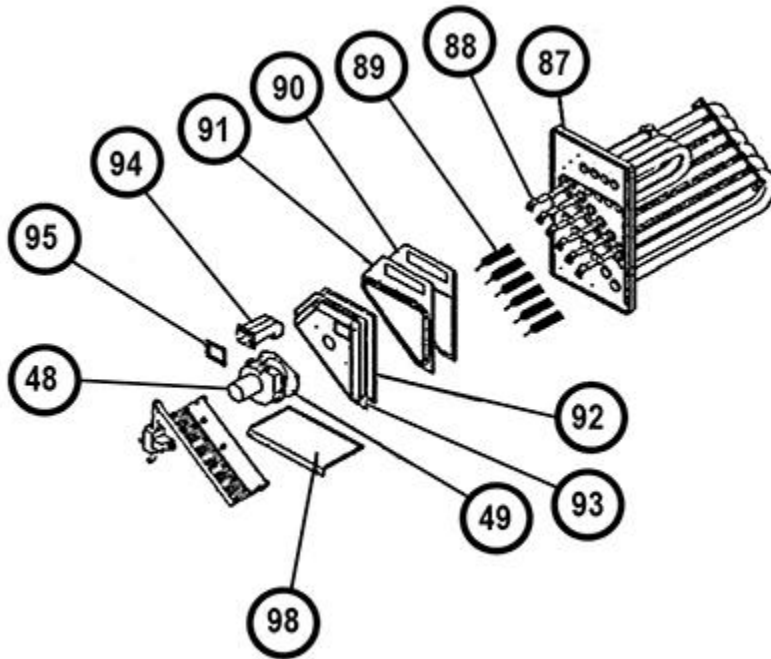
Evaporator Coil - Filter Parts



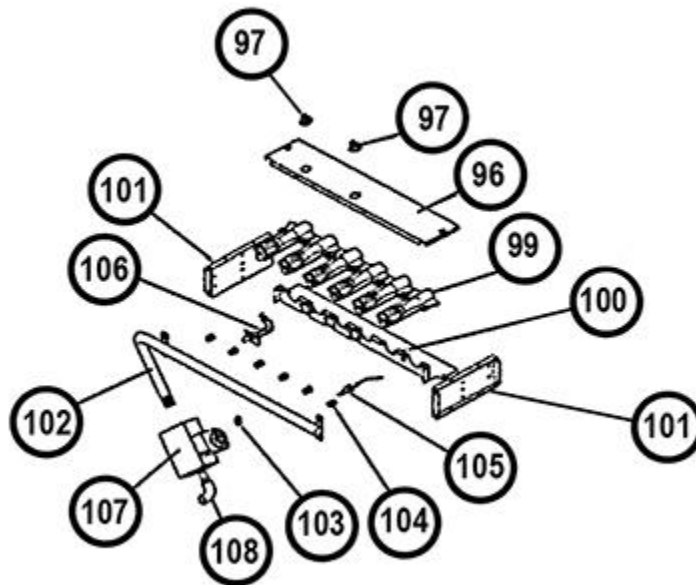
Freeze Stat Control



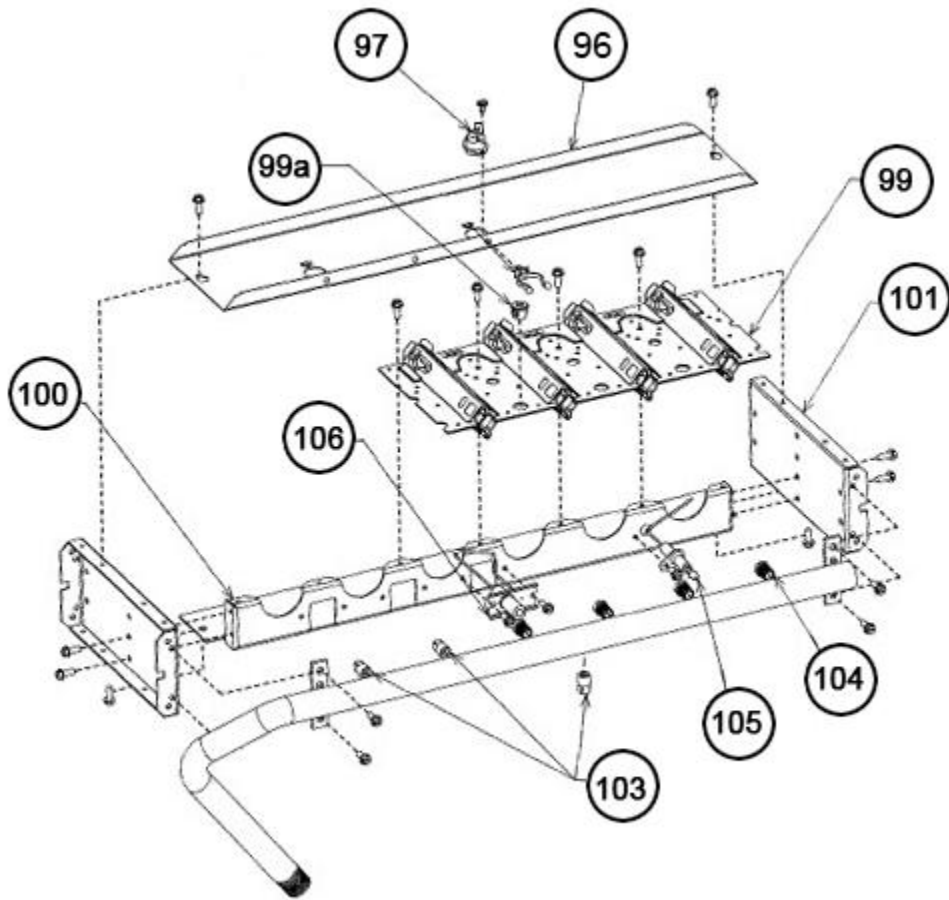
Compressor - Refrigeration Group



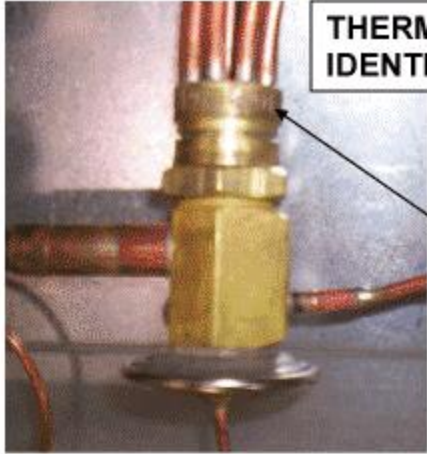
Heat Exchanger Assembly



In-Shot Burner Assembly - Before F4708



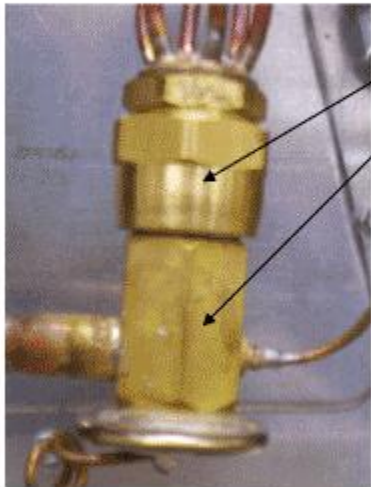
One Piece Burner Assembly - After F4708



THERMAL EXPANSION VALVE MANUFACTURER IDENTIFICATION (For "N" Style Indoor Coils ONLY)

Sporlan Expansion Valves

Look for the name "SPORLAN" engraved on the base at the distributor body assembly.



Parker Expansion Valves

The distributor body is larger (thicker) than the expansion valve body.



Emerson Expansion Valves

The expansion valve body is about two (2) inches long. Look between the arrows.

IMPORTANT NOTE:

To obtain the correct replacement TXV you must either:

- 1. Provide the EXACT TXV part number obtained by examining the unit.**
- 2. Provide a) The unit model number and b) the TXV manufacturer (determined by using this guide).**

TXV Identification Guide

NOTES

Stk It is recommended that stock be maintained for this part.

N/A Not Applicable

- 1 On or about 11/22/08 (Date Code 4708), the Burner Assemblies were changed from a multiple (individual) tube burner design to a single plate (integral) burner design. Check unit for appropriate burner assembly type before ordering replacement parts.

DISCLAIMER: This document is intended to provide general replacement parts information to aid qualified service personnel in the repair of these models. The complete Model and Serial Number of the unit under repair should be specified when selecting and ordering replacement parts. Specifications and illustrations are subject to change without notice. Document 92-42800-RKNA supersedes all previous parts lists for these models. See <http://www.rheempartslists.net/92-42800-RKNA> for the latest revision of this document. The manufacturer assumes no obligation for errors or omissions. Service personnel must verify the proper and safe operation of equipment after the replacement of any original components.