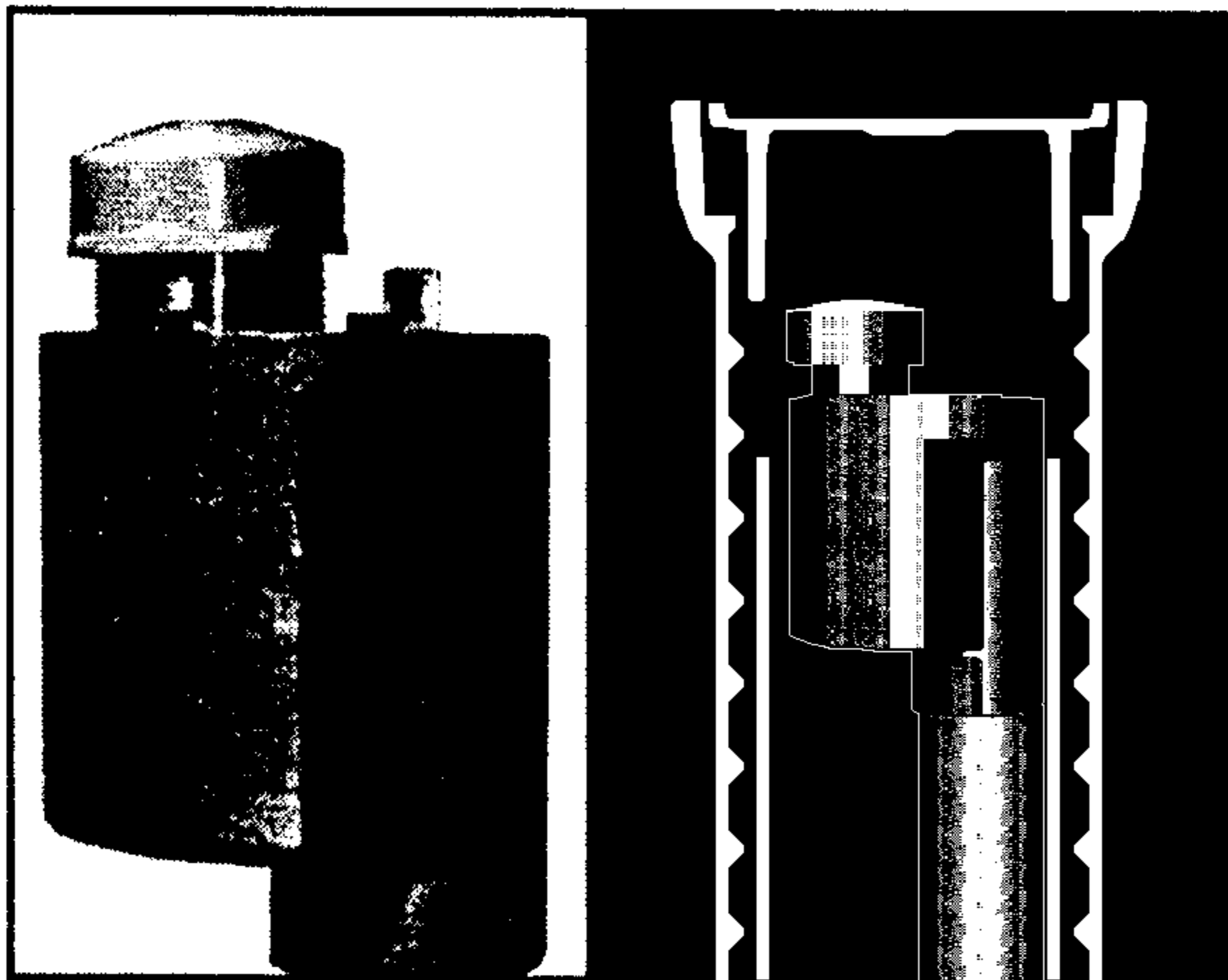


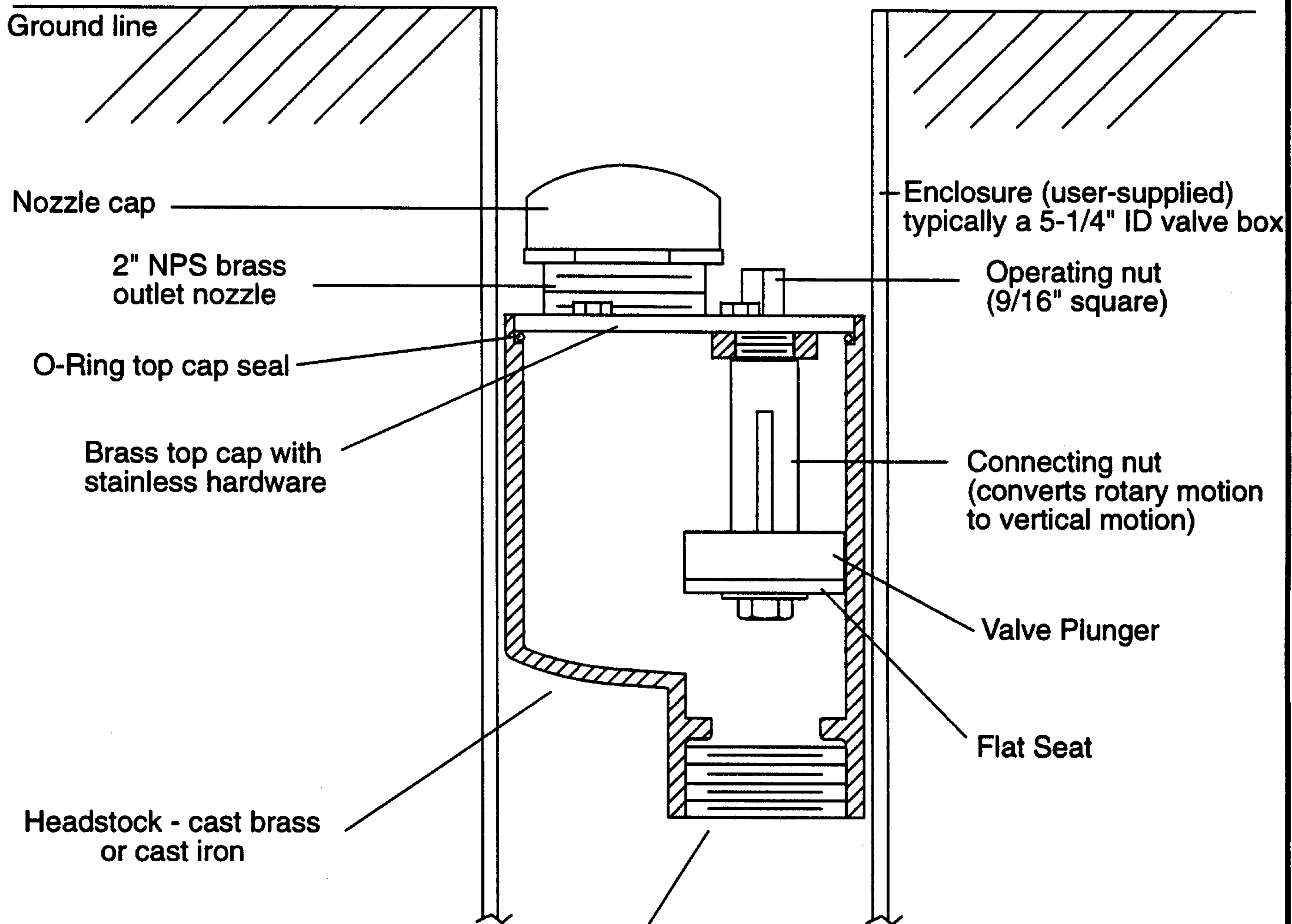
# Model TF550 2" Blowoff/Flushing Hydrant for non-freezing climates

The TF550 is rugged, compact, easy to maintain, and engineered for a lifetime of service.



The TF550 is shown here in a typical 5-1/4" ID Valve Box.

The small "footprint" of the 5-1/4" Valve Box makes the TF550 ideal for use in front yards, cul-de-sacs, and other "space-sensitive" installations.



| Inlet Pressure (psi) | Flow Rate (gpm) |
|----------------------|-----------------|
| 75                   | 400             |
| 100                  | 461             |
| 125                  | 511             |
| 150                  | 566             |

2" FIP Inlet

Since 1857

**THE KUPFERLE FOUNDRY COMPANY**

813 HEMPSTEAD STREET / ST. LOUIS, MISSOURI 63102  
800-231-3990 FAX# 314-231-2820