

## Inverted Bucket Steam Traps

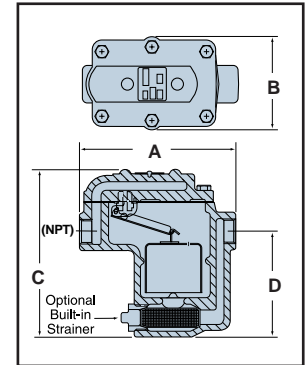
### Series B BEARTRAP®

The Series B inverted bucket traps are designed for a wide range of industrial applications including steam mains, laundry and dry cleaning plants, food processing and those that require a lift in the discharge lines.

### Series B BEARTRAP®

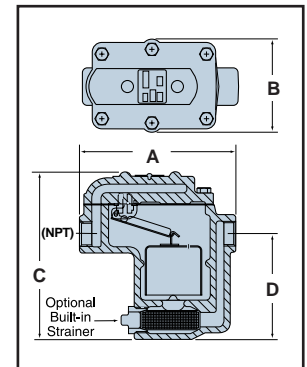
#### Series B1

- Available in sizes 1/2" and 3/4" NPT and BSPT
- Meets Mil specification WW-T-696-E Type I, Style B, Class 1-7
- Removable covers for easy in-line service
- Erosion resistant covers
- Stainless steel internal components
- Resistant to moderate water hammer
- Optional built-in thermic vent for faster heating
- Optional built-in strainer to reduce the number of piping connections
- Maximum capacities to 1700 lbs/hr. (771 kg/hr.)
- Maximum temperature 450°F (230°C)
- Maximum operating pressure 250 psig (17.3 bar)



#### Series B2

- 3/4" NPT and BSPT
- Meets Mil specification WW-T-696-E Type I, Style B, Class 1-7
- Removable covers for easy in-line service
- Erosion resistant covers
- Stainless steel internal components
- Resistant to moderate water hammer
- Optional built-in thermic vent for faster heating
- Optional built-in strainer to reduce the number of piping connections
- Maximum capacities to 2620 lbs./hr (1188 kg/hr.)
- Maximum temperature 450°F (230°C)
- Maximum operating pressure 250 psig (17.3 bar)



#### Dimensions in. (mm)

Series	Size	A	B	C	D
B1	1/2, 3/4	6 <sup>15</sup> / <sub>16</sub> (177)	3 <sup>13</sup> / <sub>16</sub> (97)	7 <sup>1</sup> / <sub>4</sub> (184)	4 <sup>3</sup> / <sub>8</sub> (111)
B2	3/4	6 <sup>15</sup> / <sub>16</sub> (177)	3 <sup>13</sup> / <sub>16</sub> (97)	9 <sup>1</sup> / <sub>16</sub> (230)	6 <sup>7</sup> / <sub>8</sub> (158)

Materials of Construction	
Part	Specifications
Body and cover	Cast Iron 30,000 psi tensile
Valve Pin and Seat	Stainless Steel (Hardened)
Bucket	Stainless Steel
Lever Assembly	Stainless Steel
Cover Bolts	Grade 5 Steel

**Series B BEAR TRAP®**

**How to Select**

The trap capacity should be selected based on the minimum differential pressure between the inlet pressure and outlet pressure. The trap seat must be capable of opening against the maximum inlet steam pressure. When the traps are used on applications where the steam is controlled by a modulating temperature regulator, the trap is normally selected to handle the full condensate load including safety factor at 1/2 psi (.034 bar) differential pressure.

Part of the



**EQUIPMENT SELECTION PROGRAM**

For selection information, please refer to "Selection Guidelines" on page 129.

For computer aided selection of Inverted Bucket Steam Traps, please refer to the "Steam Specialty Component Selectors" on the Hoffman Specialty website, [www.hoffmanspecialty.com](http://www.hoffmanspecialty.com) or, for a stand-alone version of EPS-PLUS, contact your local Hoffman Specialty Representative (see back cover for listing).

**Capacities (Gross Ratings)**

Series	Orifice Size in. (mm)	Seat Pressure psi (bar)	Differential Pressure psig (bar)																
			1/2 (.035)	1 (0.07)	2 (0.14)	5 (0.35)	10 (0.69)	15 (1.0)	20 (1.4)	30 (2.1)	40 (2.8)	50 (3.5)	60 (4.2)	75 (5.2)	100 (6.9)	125 (8.6)	180 (12.4)	200 (13.8)	250 (17.3)
B1	Capacities lbs./hr (kg/hr)																		
	.250	15	500	650	835	1145	1490	1700											
	(6.4)	(1.0)	(227)	(295)	(379)	(519)	(676)	(771)											
	.187	30	260	345	460	680	905	1060	1200	1440									
	(4.7)	(2.1)	(118)	(156)	(209)	(308)	(411)	(481)	(544)	(653)									
	.156	75	200	255	335	480	605	695	775	900	980	1070	1130	1200					
	(4.0)	(5.2)	(91)	(116)	(152)	(218)	(274)	(315)	(352)	(408)	(445)	(485)	(513)	(544)					
	.125	125	115	150	195	275	355	410	460	530	595	640	690	745	830	920			
	(3.2)	(8.6)	(52)	(68)	(88)	(125)	(161)	(186)	(209)	(240)	(270)	(290)	(313)	(338)	(376)	(417)			
	.094	180	80	105	140	205	275	320	360	425	480	520	560	620	705	780	930		
(2.4)	(10.4)	(36)	(48)	(64)	(93)	(125)	(145)	(163)	(193)	(218)	(236)	(254)	(281)	(320)	(354)	(422)			
.070	250	28	40	55	90	125	150	175	215	250	275	305	340	400	450	570	600	700	
(1.8)	(17)	(13)	(18)	(25)	(41)	(57)	(68)	(79)	(98)	(113)	(125)	(138)	(154)	(181)	(204)	(259)	(272)	(318)	
B2	.360	15	750	975	1255	1755	2280	2620											
	(9.1)	(1.0)	(340)	(447)	(569)	(796)	(1034)	(1188)											
	.282	30	650	810	1005	1350	1700	1950	2130	2400									
	(7.1)	(2.1)	(295)	(367)	(456)	(612)	(771)	(885)	(966)	(1089)									
	.250	75	490	600	740	980	1220	1340	1440	1600	1760	1910	2030	2170					
	(6.4)	(5.2)	(222)	(272)	(336)	(445)	(553)	(608)	(653)	(726)	(798)	(866)	(921)	(984)					
	.203	125	350	450	580	830	905	920	1020	1180	1310	1430	1540	1680	1920	2100			
	(5.2)	(8.6)	(159)	(204)	(263)	(376)	(411)	(417)	(463)	(535)	(594)	(649)	(699)	(762)	(871)	(953)			
	.156	180	200	255	330	460	580	675	740	840	930	1020	1090	1190	1350	1480	1725		
	(4.0)	(10.4)	(91)	(116)	(150)	(209)	(263)	(306)	(336)	(381)	(422)	(463)	(494)	(540)	(612)	(671)	(782)		
.141	250	180	235	305	430	540	620	680	780	870	940	1000	1100	1270	1415	1650	1740	1890	
(3.6)	(17)	(82)	(107)	(138)	(195)	(245)	(281)	(308)	(354)	(395)	(426)	(453)	(499)	(576)	(642)	(748)	(789)	(857)	

## Inverted Bucket Steam Traps (continued)

**Ordering Information** (Specify the part number on your order)

**Model (A)** units are basic.

**Model (B)** units have a built-in strainer and thermic vent for fast venting.

**Model (S)** units have a built-in strainer.

**Model (T)** units have an optional thermic vent built-in for faster venting.

**Example: Model Number B1030A-2**

**B1** (Unit size selected from capacity table)

**030** (Differential seat pressure rating)

**A** (Basic Unit)

**2** (Connection Size - 1/4 of an inch)

### Series B1 Ordering Information

NPT Model Number	BSPT Model Number	Size in.	NPT Part Number	BSPT Part Number	Seat Differential Pressure Rating psi (bar)	Body Design Pressure psi (bar)	Weight lbs. (kg)
B1015A-2	B1015A-2J	1/2	404300	404600	15 (1.0)	250 (17.3)	11 (5)
B1015S-2	B1015S-2J	1/2	404301	404601	15 (1.0)	250 (17.3)	11 (5)
B1015T-2	B1015T-2J	1/2	404302	404602	15 (1.0)	250 (17.3)	11 (5)
B1015B-2	B1015B-2J	1/2	404303	404603	15 (1.0)	250 (17.3)	11 (5)
B1015A-3	B1015A-3J	3/4	404324	404624	15 (1.0)	250 (17.3)	11 (5)
B1015S-3	B1015S-3J	3/4	404325	404625	15 (1.0)	250 (17.3)	11 (5)
B1015T-3	B1015T-3J	3/4	404326	404626	15 (1.0)	250 (17.3)	11 (5)
B1015B-3	B1015B-3J	3/4	404327	404627	15 (1.0)	250 (17.3)	11 (5)
B1030A-2	B1030A-2J	1/2	404304	404604	30 (2.1)	250 (17.3)	11 (5)
B1030S-2	B1030S-2J	1/2	404305	404605	30 (2.1)	250 (17.3)	11 (5)
B1030T-2	B1030T-2J	1/2	404306	404606	30 (2.1)	250 (17.3)	11 (5)
B1030B-2	B1030B-2J	1/2	404307	404607	30 (2.1)	250 (17.3)	11 (5)
B1030A-3	B1030A-3J	3/4	404328	404628	30 (2.1)	250 (17.3)	11 (5)
B1030S-3	B1030S-3J	3/4	404329	404629	30 (2.1)	250 (17.3)	11 (5)
B1030T-3	B1030T-3J	3/4	404330	404630	30 (2.1)	250 (17.3)	11 (5)
B1030B-3	B1030B-3J	3/4	404331	404631	30 (2.1)	250 (17.3)	11 (5)
B1075A-2	B1075A-2J	1/2	404308	404608	75 (5.2)	250 (17.3)	11 (5)
B1075S-2	B1075S-2J	1/2	404309	404609	75 (5.2)	250 (17.3)	11 (5)
B1075T-2	B1075T-2J	1/2	404310	404610	75 (5.2)	250 (17.3)	11 (5)
B1075B-2	B1075B-2J	1/2	404311	404611	75 (5.2)	250 (17.3)	11 (5)
B1075A-3	B1075A-3J	3/4	404332	404632	75 (5.2)	250 (17.3)	11 (5)
B1075S-3	B1075S-3J	3/4	404333	404633	75 (5.2)	250 (17.3)	11 (5)
B1075T-3	B1075T-3J	3/4	404334	404634	75 (5.2)	250 (17.3)	11 (5)
B1075B-3	B1075B-3J	3/4	404335	404635	75 (5.2)	250 (17.3)	11 (5)
B1125A-2	B1125A-2J	1/2	404312	404612	125 (8.6)	250 (17.3)	11 (5)
B1125S-2	B1125S-2J	1/2	404313	404613	125 (8.6)	250 (17.3)	11 (5)
B1125T-2	B1125T-2J	1/2	404314	404614	125 (8.6)	250 (17.3)	11 (5)
B1125B-2	B1125B-2J	1/2	404315	404615	125 (8.6)	250 (17.3)	11 (5)
B1125A-3	B1125A-3J	3/4	404336	404636	125 (8.6)	250 (17.3)	11 (5)
B1125S-3	B1125S-3J	3/4	404337	404637	125 (8.6)	250 (17.3)	11 (5)
B1125T-3	B1125T-3J	3/4	404338	404638	125 (8.6)	250 (17.3)	11 (5)
B1125B-3	B1125B-3J	3/4	404339	404639	125 (8.6)	250 (17.3)	11 (5)

**Series B BEARTRAP®**
**Series B1 Ordering Information - continued**

NPT Model Number	BSPT Model Number	Size in.	NPT Part Number	BSPT Part Number	Seat Differential Pressure Rating psi (bar)	Body Design Pressure psi (bar)	Weight lbs. (kg)
B1180A-2	B1180A-2J	1/2	404316	404616	180 (12.4)	250 (17.3)	11 (5)
B1180S-2	B1180S-2J	1/2	404317	404617	180 (12.4)	250 (17.3)	11 (5)
B1180T-2	B1180T-2J	1/2	404318	404618	180 (12.4)	250 (17.3)	11 (5)
B1180B-2	B1180B-2J	1/2	404319	404619	180 (12.4)	250 (17.3)	11 (5)
B1180A-3	B1180A-3J	3/4	404340	404640	180 (12.4)	250 (17.3)	11 (5)
B1180S-3	B1180S-3J	3/4	404341	404641	180 (12.4)	250 (17.3)	11 (5)
B1180T-3	B1180T-3J	3/4	404342	404642	180 (12.4)	250 (17.3)	11 (5)
B1180B-3	B1180B-3J	3/4	404343	404643	180 (12.4)	250 (17.3)	11 (5)
B1250A-2	B1250A-2J	1/2	404320	404620	250 (17.3)	250 (17.3)	11 (5)
B1250S-2	B1250S-2J	1/2	404321	404621	250 (17.3)	250 (17.3)	11 (5)
B1250T-2	B1250T-2J	1/2	404322	404622	250 (17.3)	250 (17.3)	11 (5)
B1250B-2	B1250B-2J	1/2	404323	404623	250 (17.3)	250 (17.3)	11 (5)
B1250A-3	B1250A-3J	3/4	404344	404644	250 (17.3)	250 (17.3)	11 (5)
B1250S-3	B1250S-3J	3/4	404345	404645	250 (17.3)	250 (17.3)	11 (5)
B1250T-3	B1250T-3J	3/4	404346	404646	250 (17.3)	250 (17.3)	11 (5)
B1250B-3	B1250B-3J	3/4	404347	404647	250 (17.3)	250 (17.3)	11 (5)

**Series B2 Ordering Information**

NPT Model Number	BSPT Model Number	Size in.	NPT Part Number	BSPT Part Number	Seat Differential Pressure Rating psi (bar)	Body Design Pressure psi (bar)	Weight lbs. (kg)
B2015A-3	B2015A-3J	3/4	404348	404648	15 (1.0)	250 (17.3)	12.5 (5.7)
B2015S-3	B2015S-3J	3/4	404349	404649	15 (1.0)	250 (17.3)	12.5 (5.7)
B2015T-3	B2015T-3J	3/4	404350	404650	15 (1.0)	250 (17.3)	12.5 (5.7)
B2015B-3	B2015B-3J	3/4	404351	404651	15 (1.0)	250 (17.3)	12.5 (5.7)
B2030A-3	B2030A-3J	3/4	404352	404652	30 (2.1)	250 (17.3)	12.5 (5.7)
B2030S-3	B2030S-3J	3/4	404353	404653	30 (2.1)	250 (17.3)	12.5 (5.7)
B2030T-3	B2030T-3J	3/4	404354	404654	30 (2.1)	250 (17.3)	12.5 (5.7)
B2030B-3	B2030B-3J	3/4	404355	404655	30 (2.1)	250 (17.3)	12.5 (5.7)
B2075A-3	B2075A-3J	3/4	404356	404656	75 (5.2)	250 (17.3)	12.5 (5.7)
B2075S-3	B2075S-3J	3/4	404357	404657	75 (5.2)	250 (17.3)	12.5 (5.7)
B2075T-3	B2075T-3J	3/4	404358	404658	75 (5.2)	250 (17.3)	12.5 (5.7)
B2075B-3	B2075B-3J	3/4	404359	404659	75 (5.2)	250 (17.3)	12.5 (5.7)
B2125A-3	B2125A-3J	3/4	404360	404660	125 (8.6)	250 (17.3)	12.5 (5.7)
B2125S-3	B2125S-3J	3/4	404361	404661	125 (8.6)	250 (17.3)	12.5 (5.7)
B2125T-3	B2125T-3J	3/4	404362	404662	125 (8.6)	250 (17.3)	12.5 (5.7)
B2125B-3	B2125B-3J	3/4	404363	404663	125 (8.6)	250 (17.3)	12.5 (5.7)
B2180A-3	B2180A-3J	3/4	404364	404664	180 (12.4)	250 (17.3)	12.5 (5.7)
B2180S-3	B2180S-3J	3/4	404365	404665	180 (12.4)	250 (17.3)	12.5 (5.7)
B2180T-3	B2180T-3J	3/4	404366	404666	180 (12.4)	250 (17.3)	12.5 (5.7)
B2180B-3	B2180B-3J	1/2	404367	404667	250 (17.3)	250 (17.3)	12.5 (5.7)
B2250A-3	B2250A-3J	3/4	404368	404668	250 (17.3)	250 (17.3)	12.5 (5.7)
B2250S-3	B2250S-3J	3/4	404369	404669	250 (17.3)	250 (17.3)	12.5 (5.7)
B2250T-3	B2250T-3J	3/4	404370	404670	250 (17.3)	250 (17.3)	12.5 (5.7)
B2250B-3	B2250B-3J	3/4	404371	404671	250 (17.3)	250 (17.3)	12.5 (5.7)