

Plastic Bend Support

Submittal Information
Revision B: June 10, 2008

Project Information

Job Name:

Location:

Part No. Ordered:

Engineer:

Date Submitted:

Contractor:

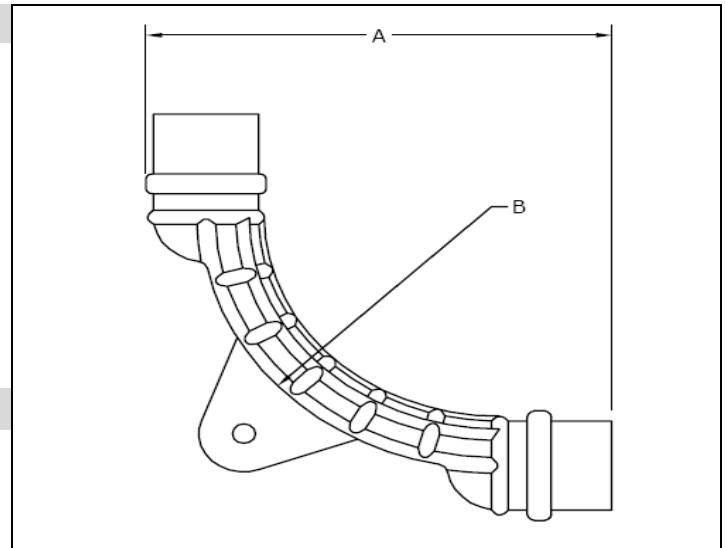
Submitted By:

Manufacturer's Representative:

Approved By:

Technical Data

Material: Glass-reinforced nylon



Product Information and Application Use

Plastic Bend Support (glass-reinforced nylon) provides rigid 90-degree bend and sleeve for 3/8", 1/2" and 3/4" Uponor PEX tubing.

✓	Description	Part Number	Length (A)	Radius (B)	Weight
[]	3/8" Plastic Bend Support	A5150375	3.86"	R-2.48"	0.05 lbs.
[]	1/2" Plastic Bend Support	A5250500	3.82"	R-2.48"	0.05 lbs.
[]	3/4" Plastic Bend Support	A5150750	5.67"	R-3.80"	0.15 lbs.

Installation

Snap the tubing into the Bend Support at the beginning of the bend. Continue the bend through the support and snap the tubing into the support at the end of the bend as well. Refer to the AQUAPEX® Professional Plumbing Installation Handbook or Uponor Radiant Installation Handbook for additional information.

Standards

N/A

Codes

N/A

Listings

N/A

Related Applications

PEX-a Plumbing Systems
Radiant Heating and Cooling Systems

Contact Information

Uponor, Inc.
5925 148th Street West
Apple Valley, MN 55124 USA
Phone: (800) 321-4739
Fax: (952) 891-2008
www.uponor-usa.com

Uponor Ltd.
2000 Argentia Rd., Plaza 1, Ste. 200
Mississauga, ON L5N 1W1 CANADA
Phone: (888) 994-7726
Fax: (800) 638-9517
www.uponor.ca