

Features

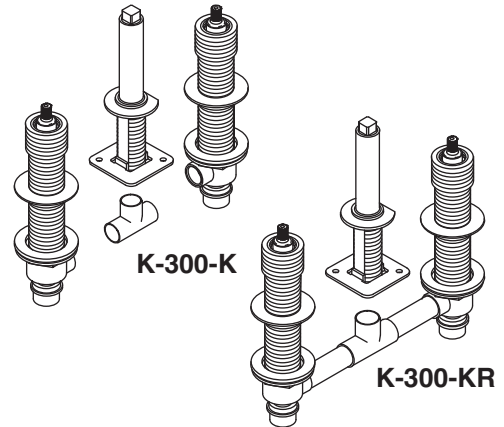
- Brass valve bodies
- Bath- or deck-mount
- 1/2" quarter-turn washerless ceramic disc valves
- High-flow valving
- Available with or without rigid connections

Codes/Standards Applicable

Specified model meets or exceeds the following:

- ASME A112.18.1/CSA B125.1

VALVE SYSTEM
K-300-K, K-300-KR



Colors/Finishes

- NA: None applicable

Accessories

- NA: None applicable

Specified Model

Model	Description	Colors/Finishes
K-300-K	Valve system	<input type="checkbox"/> NA
K-300-KR	Valve system with rigid connections	<input type="checkbox"/> NA
Optional Accessories		
1032704	Deep roughing-in kit for 1/2" (13 mm) high-flow deck-mount bath faucets (lever handles)	<input type="checkbox"/> NA

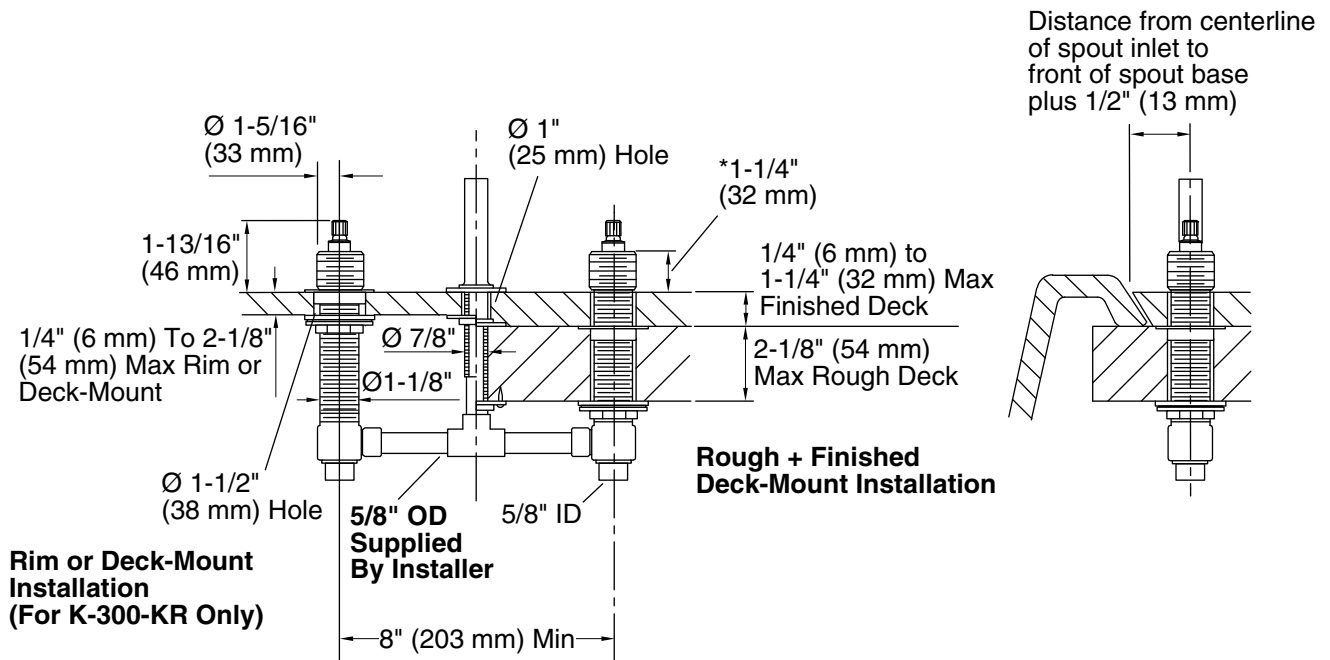
Product Specification

Two-handle bath- or deck-mount, with or without rigid connections, 1/2" (13 mm) high-flow valve system shall feature brass valve bodies. Valve system shall feature 1/2" quarter-turn washerless ceramic disc valves. Valve system shall be Kohler Model K-300-_____-NA.

Installation Notes

For installations on a rough (unfinished) deck to be covered later with tile, the tile thickness must not exceed 1-1/4" (32 mm).

*Dimension allows $\pm 1/4"$ (6 mm) handle adjustment during handle trim installation.



Product Diagram