

Model: 752

Job Name _____

Contractor _____

Job Location _____

Approval _____

Engineer _____

Contractor's P.O. No. _____

Approval _____

Representative _____

LEAD FREE*

Cast Iron Flanged End Y Strainers

Model: 752**Sizes: 1½" - 24"****WORKING PRESSURE—NON-SHOCK**

ASME B16.1

NPT Sizes 1½" - 12"	500psi @ -20 to 150°F
	34.5 bar @ -29 to 65°C
NPT Sizes 14" - 24"	250psi @ 450°F
	17.2 bar @ 232°C
NPT Sizes 14" - 24"	300psi @ -20 to -150°F
	20.7 bar @ -29 to 65°C
NPT Sizes 14" - 24"	200psi @ 406°F
	13.8 bar @ 208°C

752 - Class 250**Features**

- Mueller "Breech-Lok Strainers"
- Furnished as standard in sizes 8" and larger
 - A one-quarter turn securely locks the screen in its seat
 - Allows for easy bolting of the cover flange
- Tapered seats in both the body and cover flange retain screen and prevent particle bypass

Construction

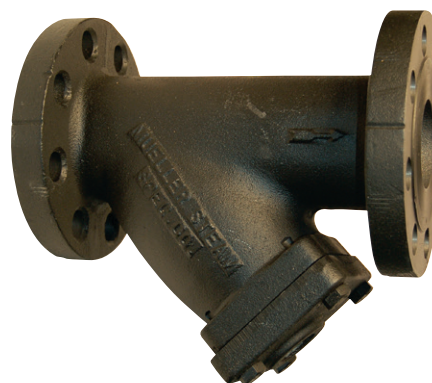
- Gasketed cover, O-ring seats available

Self-Cleaning

- Self-cleaning is accomplished by opening the plug or valve connected to the blowoff outlet

Blowoff Outlets

- Outlets are NPT tapped
- Sizes of tapping specified on next page
- Not normally furnished with plug. Plug available, specify with order

**Model 752****Capacity**

- Generously proportioned bodies
- Open Area Ratio much greater than pipe size, ensuring low pressure drop

Screens

MODEL	SIZES	STANDARD (WATER)		STEAM RECOMMENDATION	
		MATERIAL	OPENING	MATERIAL	OPENING
752	1½" - 4"	304SS	.062 perf	304SS	.045 perf
	5" - 10"	304SS	.125 perf	304SS	.045 perf
	10" & Up	304SS	.125 perf	304SS	.062 perf

NOTICE

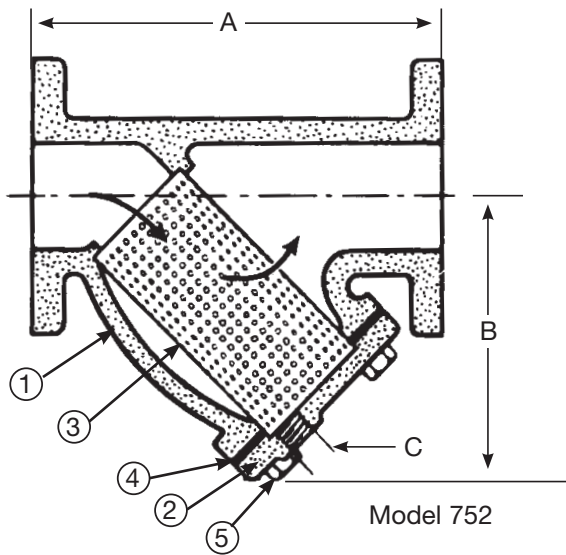
The information contained herein is not intended to replace the full product installation and safety information available or the experience of a trained product installer. You are required to thoroughly read all installation instructions and product safety information before beginning the installation of this product.

***The wetted surface of this product contacted by consumable water contains less than 0.25% of lead by weight.**

Mueller Steam Specialty product specifications in U.S. customary units and metric are approximate and are provided for reference only. For precise measurements, please contact Mueller Steam Specialty Technical Service. Mueller Steam Specialty reserves the right to change or modify product design, construction, specifications, or materials without prior notice and without incurring any obligation to make such changes and modifications on Mueller Steam Specialty products previously or subsequently sold.

A WATTS Brand

Materials



BILL OF MATERIAL - 752		
ITEM	DESCRIPTION	MATERIAL
1	BODY	Cast Iron ASTM A126-B
2	COVER **	Cast Iron ASTM A126-B
3	SCREEN	304 SS
4	GASKET	Non-Asbestos
5	HEX HEAD CAP SCREWS	SAE J429 Gr. 5

** Cover may be manufactured from equivalent grade plate material

Pressure Drop

See Pressure Drop Charts in Technical Data section of the Mueller Steam Specialty Engineering binder. C_v values are noted in the Dimensions and Weights table below.

Dimensions and Weights

SIZE		DIMENSIONS						WEIGHT	
		A		B		C			
in.	mm	in.	mm	in.	mm	in.	mm	lbs.	kgs.
1½	204	4¾	121	½	15	24	10.9		
2	237	6	152	½	15	26	12		
2½	281	7⅞	181	1	25	40	18		
3	321	9⅞	232	1¼	32	59	26.8		
3½	365	9	229	1¼	32	76	34		
4	397	10⅞	276	1½	40	93	42		
5	464	12⅝	329	2	50	146	66		
6	512	14½	368	2	50	194	88		
8	638	16⅞	418	2	50	316	143		
10	739	21	533	2	50	475	215		
12	857	25	635	2	50	750	3740		
14	984	28¾	730	2	50	908	412		
16	1128	29⅝	752	2	50	1135	515		
18	1213	34⅞	881	2	50	2400	1090		
20	1422	39	991	2	50	3350	1522		
24	1461	45	1143	2	50	4705	2138		

Apply for Certified Drawings.

Limited Warranty: Mueller Steam Specialty warrants each product to be free from defects in material and workmanship under normal usage for a period of one year from the date of original shipment. In the event of such defects within the warranty period, the Company will, at its option, replace or recondition the product without charge. This shall constitute the sole and exclusive remedy for breach of warranty, and the Company shall not be responsible for any incidental, special or consequential damages, including without limitation, lost profits or the cost of repairing or replacing other property which is damaged if this product does not work properly, other costs resulting from labor charges, delays, vandalism, negligence, fouling caused by foreign material, damage from adverse water conditions, chemical, or any other circumstances over which the Company has no control. This warranty shall be invalidated by any abuse, misuse, misapplication or improper installation of the product. **THIS WARRANTY IS IN LIEU OF ALL OTHER WARRANTIES, EXPRESS OR IMPLIED, INCLUDING ANY IMPLIED WARRANTIES OF MERCHANTABILITY OR FITNESS FOR A PARTICULAR PURPOSE.** Any implied warranties that are imposed by law are limited in duration to one year.

Some States do not allow limitations on how long an implied warranty lasts, and some States do not allow the exclusion or limitation of incidental or consequential damages. Therefore the above limitations may not apply to you. This Limited Warranty gives you specific legal rights, and you may have other rights that vary from State to State. You should consult applicable state laws to determine your rights.



A WATTS Brand

USA: T: (800) 334-6259 • F: (800) 421-6772 • MuellerSteam.com

Latin America: T: (52) 55-4122-0138 • MuellerSteam.com