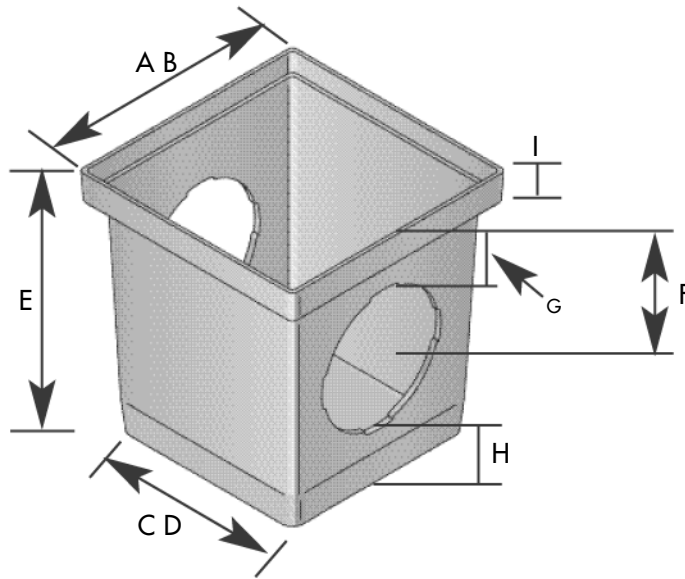


NDS 9" 12" 18" 24" Catch Basins



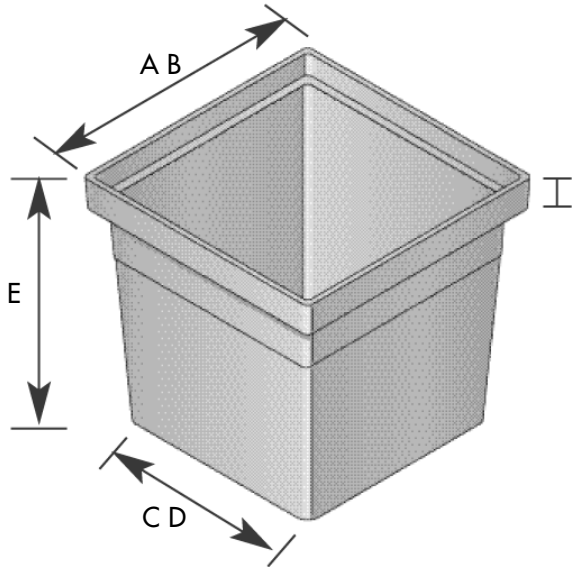
Dimension Key

A	Top Width
B	Top Length
C	Bottom Width
D	Bottom Length
E	Height
F	Center of Flow from top of Box
G	Top of opening to top of box
H	Bottom of opening to bottom of box
I	Height of grating shelf
J	Length of Spigot
K	Weight

Part Number	A	B	C	D	E	F	G	H	I	J	K
900	9 3/8	9 3/8	8 1/8	8 1/8	10 1/8	5 9/16	2 5/16	1 1/16	1 1/8		3
900-4	9 3/8	9 3/8	8 1/8	8 1/8	10 1/8	5 9/16	2 5/16	1 1/16	1 1/8		2
1200	12 3/8	12 3/8	10 1/8	10 1/8	12 15/16	7 3/8	3 3/4	2 3/8	1 1/8		4.25
1203	12 3/8	12 3/8	10 1/8	10 1/8	12 15/16	7 3/8	3 3/4	2 3/8	1 1/8		3.75
1204	12 3/8	12 3/8	10 1/8	10 1/8	12 15/16	7 3/8	3 3/4	2 3/8	1 1/8		3.75
1882	17 11/16	17 11/16	13	13	18 9/16	11 1/4	8 1/8	1 13/16	1		10
1884	17 11/16	17 11/16	13	13	18 9/16	11 1/4	8 1/8	1 13/16	1		9.5
2400	24 3/4	24 3/4	19.6	19 3/5	24	14 1/2	4 3/8	1 5/8	2		18
2404	24 3/4	24 3/4	19.6	19 3/5	24	14 1/2	4 3/8	1 5/8	2		15



NDS 9" 12" Catch Basin Risers



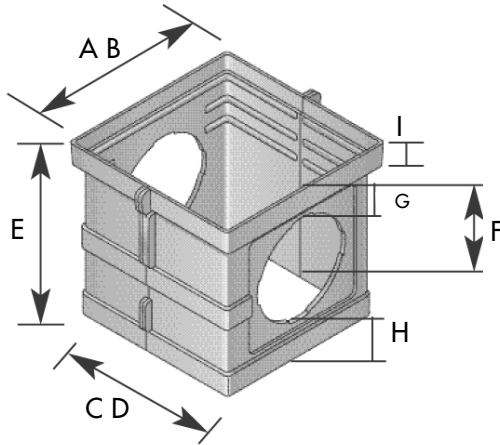
Dimension Key

A	Top Width
B	Top Length
C	Bottom Width
D	Bottom Length
E	Height
F	Center of Flow from top of Box
G	Top of opening to top of box
H	Bottom of opening to bottom of box
I	Height of grating shelf
J	Length of Spigot
K	Weight

	A	B	C	D	E	F	G	H	I	J	K
Part Number											
916	9 3/16	9 3/16	9	9	7 3/8	N/A	N/A	N/A	1 1/8		1.75
1216	12 3/8	12 3/8	12 5/16	12 5/16	7 1/8	N/A	N/A	N/A	1 1/8		2.75



NDS 12" Catch Basin Risers

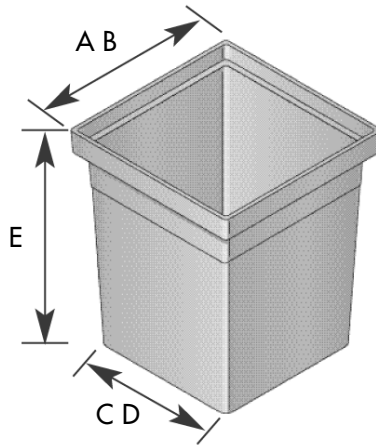


Dimension Key

A	Top Width
B	Top Length
C	Bottom Width
D	Bottom Length
E	Height
F	Center of Flow from top of Box
G	Top of opening to top of box
H	Bottom of opening to bottom of box
I	Height of grating shelf
J	Length of Spigot
K	Weight

	A	B	C	D	E	F	G	H	I	J	K
Part Number											
1217	12 3/8	12 3/8	11 1/2	11 1/2	11	5 15/16	2 1/2	2	1 1/8		4
1800	18 1/8	18 1/8	18 1/8	18 1/8	19 1/4	9 1/2	6 1/4	6 1/4	1		16
1804	18 1/8	18 1/8	18 1/8	18 1/8	19 1/4	9 1/2	6 1/4	6 1/4	1		16

NDS Sump Box



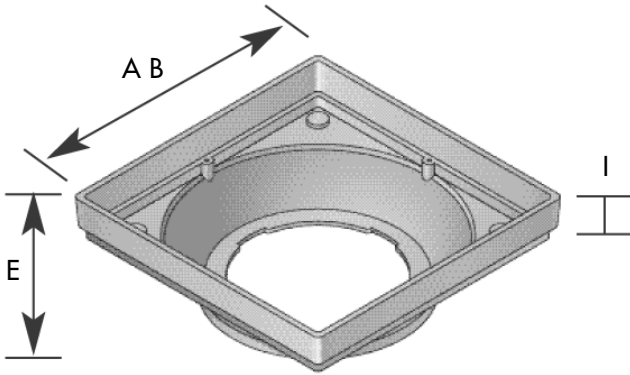
Dimension Key

A	Top Width
B	Top Length
C	Bottom Width
D	Bottom Length
E	Height
F	Center of Flow from top of Box
G	Top of opening to top of box
H	Bottom of opening to bottom of box
I	Height of grating shelf
J	Length of Spigot
K	Weight

	A	B	C	D	E	F	G	H	I	J	K
Part Number											
1225	12 3/8	12 3/8	12 5/16	12 5/16	7 1/8	N/A	N/A	N/A	1		6.75



NDS 9" 12" 18" Catch Basin Adapters Low Profile Adapter



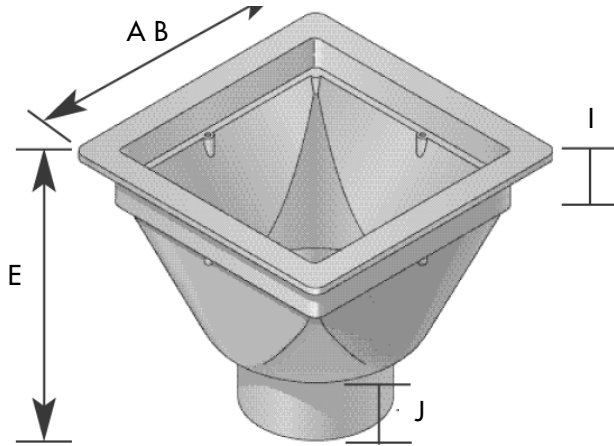
Dimension Key

A	Top Width
B	Top Length
C	Bottom Width
D	Bottom Length
E	Height
F	Center of Flow from top of Box
G	Top of opening to top of box
H	Bottom of opening to bottom of box
I	Height of grating shelf
J	Length of Spigot
K	Weight

	A	B	C	D	E	F	G	H	I	J	K
Part Number											
930	9 7/16	9 7/16	N/A	N/A	2 1/16	N/A	N/A	N/A	1 1/8		0.75
1230	12.25	12.25	N/A	N/A	3 7/16	N/A	N/A	N/A	1 1/8		1.25
1830	17 7/8	17 7/8	N/A	N/A	3 5/8	N/A	N/A	N/A	1 1/8		4.75



NDS 9" Catch Basin Adapters Spigot Adapter

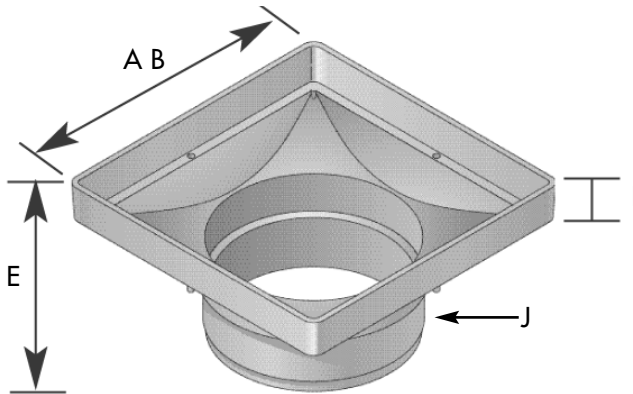


Dimension Key

A	Top Width
B	Top Length
C	Bottom Width
D	Bottom Length
E	Height
F	Center of Flow from top of Box
G	Top of opening to top of box
H	Bottom of opening to bottom of box
I	Height of grating shelf
J	Length of Spigot
K	Weight

	A	B	C	D	E	F	G	H	I	J	K
Part Number											
931	10 7/8	10 7/8	N/A	N/A	8	N/A	N/A	N/A	1 1/8	2	2.4
933	10 7/8	10 7/8	N/A	N/A	8	N/A	N/A	N/A	1 1/8	2	0.3

NDS 9" 12" Catch Basin Adapters Low Profile Housing Adapter



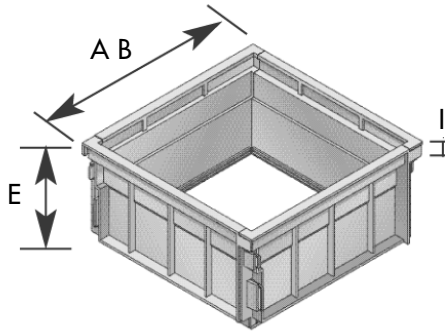
Dimension Key

A	Top Width
B	Top Length
C	Bottom Width
D	Bottom Length
E	Height
F	Center of Flow from top of Box
G	Top of opening to top of box
H	Bottom of opening to bottom of box
I	Height of grating shelf
J	Length of Spigot
K	Weight

	A	B	C	D	E	F	G	H	I	J	K
Part Number											
932	9 1/2	9 1/2	N/A	N/A	4 1/4	N/A	N/A	N/A	1 1/8	2 1/4	1.13
1221	12 1/4	12 1/4	N/A	N/A	3 7/16	N/A	N/A	N/A	1 1/8	4 1/8	1.92
1222	12 1/4	12 1/4	N/A	N/A	3 7/16	N/A	N/A	N/A	1 1/8	4 1/8	1.92



NDS 8" Catch Basin Riser

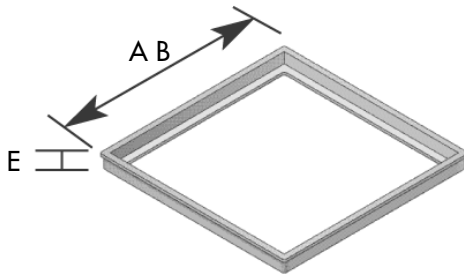


Dimension Key

A	Top Width
B	Top Length
C	Bottom Width
D	Bottom Length
E	Height
F	Center of Flow from top of Box
G	Top of opening to top of box
H	Bottom of opening to bottom of box
I	Height of grating shelf
J	Length of Spigot
K	Weight

	A	B	C	D	E	F	G	H	I	J	K
Part Number											
1816	18 1/8	18 1/8	N/A	N/A	9	N/A	N/A	N/A	1		6

NDS 18" x 18" Catch Basin Grate Frame



Dimension Key

A	Top Width
B	Top Length
C	Bottom Width
D	Bottom Length
E	Height
F	Center of Flow from top of Box
G	Top of opening to top of box
H	Bottom of opening to bottom of box
I	Height of grating shelf
J	Length of Spigot
K	Weight

	A	B	C	D	E	F	G	H	I	J	K
Part Number											
1840	17 7/8	17 7/8	N/A	N/A	1 1/4	N/A	N/A	N/A	N/A		2



NDS Customer Service

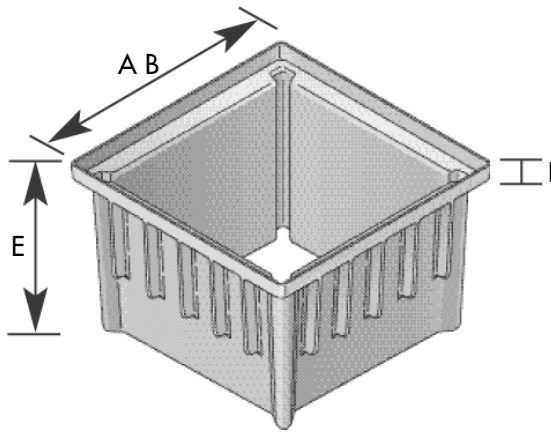
851 N. Harvard Ave, Lindsay, CA 93247

Phone: (800) 726-1994 (559) 562-9888

Fax: (800) 726-1998 (559) 562-4488

www.NDSPRO.com

NDS 24" Catch Basin Extension

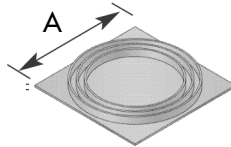
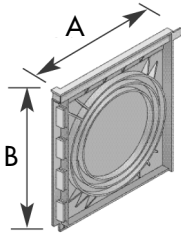


Dimension Key

A	Top Width
B	Top Length
C	Bottom Width
D	Bottom Length
E	Height
F	Center of Flow from top of Box
G	Top of opening to top of box
H	Bottom of opening to bottom of box
I	Height of grating shelf
J	Length of Spigot
K	Weight

	A	B	C	D	E	F	G	H	I	J	K
Part Number											
2418	24 3/4	24 3/4	N/A	N/A	8	N/A	N/A	N/A	2		14

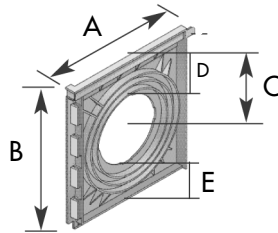
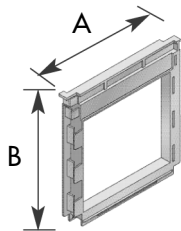
NDS 18" Catch Basin Component Parts



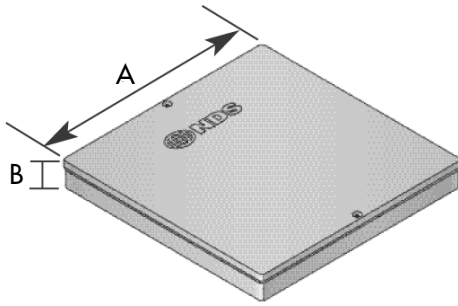
Dimension Key

A	Width
B	Height
C	Center of Flow from top of Box
D	Top of opening to top of box
E	Bottom of opening to bottom of box
F	Weight

	A	B	C	D	E	F
Part Number						
1850	18 1/8	19 1/4	N/A	N/A	N/A	6
1820	18 1/8	19 1/4	N/A	N/A	N/A	4
1821	18 1/8	19 1/4	9 1/2	6 1/4	6 1/4	4
1822	18 1/8	19 1/4	9 1/2	6 1/4	6 1/4	3.75
1828	15 1/2	1 1/8	N/A	N/A	N/A	2.5



NDS 12" Sump Box Cover



Dimension Key

A	Width
B	Height
C	Center of Flow from top of Box
D	Top of opening to top of box
E	Bottom of opening to bottom of box
F	Weight

	A	B	C	D	E	F
Part Number						
1220	11 7/8	3/4"	N/A	N/A	N/A	2



NDS Customer Service

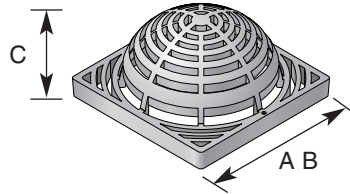
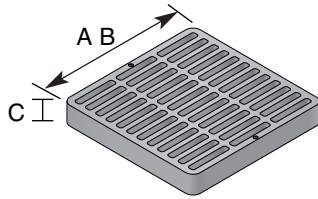
851 N. Harvard Ave, Lindsay, CA 93247

Phone: (800) 726-1994 (559) 562-9888

Fax: (800) 726-1998 (559) 562-4488

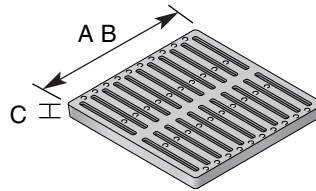
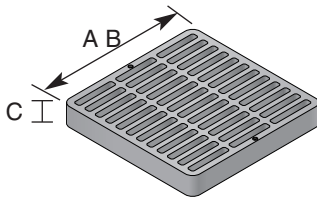
www.NDSPRO.com

NDS Catch Basin 9" 12" 18" 24" Grates



Dimension Key

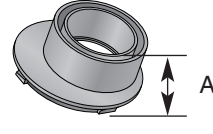
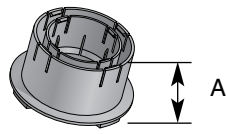
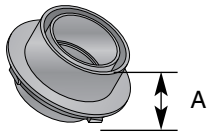
A	Width
B	Length
C	Height
D	Size of openings
E	Open surface area
F	Gallons per minute
G	Weight



	A	B	C	D	E	F	G
Part Number							
981	9	9	4 3/4	3/8	20.86 Sq. In.	27.33 GPM	0.87
991	9	9	4 3/4	3/8	20.86 Sq. In.	27.33 GPM	0.87
1280	11 3/4	11 3/4	4 1/2	3/8	50.65 Sq. In.	66.35 GPM	2
1290	11 3/4	11 3/4	4 1/2	3/8	50.65 Sq. In.	66.35 GPM	2
1881	16 13/16	16 13/16	6	1/2	87.95 Sq. In.	115.21 GPM	3.5
1891	16 13/16	16 13/16	6	1/2	87.95 Sq. In.	115.21 GPM	3.5
980	9	9	1 1/8	7/16	39.5 Sq. In.	51.75 GPM	1.5
990	9	9	1 1/8	7/16	39.5 Sq. In.	51.75 GPM	1.5
999	9	9	1 1/8	7/16	39.5 Sq. In.	51.75 GPM	1.5
999S	9	9	1 1/8	7/16	39.5 Sq. In.	51.75 GPM	1.5
1210	11 3/4	11 3/4	1 1/8	3/8	50.76 Sq. In.	66.35 GPM	2
1211	11 3/4	11 3/4	1 1/8	3/8	50.76 Sq. In.	66.35 GPM	2
1212	11 3/4	11 3/4	1 1/8	3/8	50.76 Sq. In.	66.35 GPM	2
1212S	11 3/4	11 3/4	1 1/8	3/8	50.76 Sq. In.	66.35 GPM	2
1810	16 7/8	16 7/8	1	7/16	104.00 Sq. In.	136.24 GPM	5.5
1811	16 7/8	16 7/8	1	7/16	104.00 Sq. In.	136.24 GPM	5.5
1812	16 7/8	16 7/8	1	7/16	104.00 Sq. In.	136.24 GPM	5.5
1812S	16 7/8	16 7/8	1	7/16	104.00 Sq. In.	136.24 GPM	5.5
2411	23 7/8	23 7/8	2	7/8	231.69 Sq. In.	303.51 GPM	9
2412	23 7/8	23 7/8	2	7/8	231.69 Sq. In.	303.51 GPM	9
913	9	9	1 1/8	9/16	35.7 Sq. In.	46.77 GPM	8
1213	12	12	1 1/8	3/8	59.5 Sq. In.	77.95 GPM	15
1813	16 7/8	16 7/8	1	1	105.75 Sq. In.	138.53 GPM	35
2413	23 7/8	23 7/8	2	1	203.72 Sq. In.	266.87 GPM	150
915	8 3/4	8 3/4	1 1/8	3/4	65.00 Sq. In.	85.15 GPM	2.25
1215	11 5/8	11 5/8	1 1/8	3/4	122.30 Sq. In.	160.21 GPM	7
1815	16 3/4	16 3/4	1	1	291.00 Sq. In.	381.21 GPM	17
2415	23 3/4	23 3/4	2	1 1/4	332.06 Sq. In.	435 GPM	67



NDS Catch Basin Universal Outlets



Dimension Key

A	Height
B	Weight

	A	B
Part Number		
1242	3 3/4	0.74
1243	2 1/4	0.7
1245	2 1/4	0.55
1266	2 15/16	0.75
1888	3	1.25
1889	2	0.8
2410	3	5.5
1206	5/8	0.35

