

Replacement Parts for V3® Series Model UDAP, UDAS, UDBP, and UDBS Unit Heaters

IMPORTANT

1. Always include complete heater model and serial number so that any specification change can be considered for parts replacement. It can save time and expense.
2. Specifications are subject to change without notice.
3. We reserve the right to substitute functional replacements
4. Order by P/N; not Heater Option Designation.

Model UDAP

Power Vent, Fan Type

Model UDAS

Separated Combustion,
 Fan Type



Model UDBP

Power Vent, Blower Type

Model UDBS

Separated Combustion,
 Blower Type



Warranty - Models UDAP, UDAS, UDBP, and UDBS

One-year limited warranty on the heater.

Nine-year extended limited warranty on the heat exchanger, burner, and flue collection box assembly.

Four-year extended limited warranty on all electrical and mechanical operating components (with the exception of blower belts).

Contact your distributor for details.

INDEX

B

Bearings 12
 Belt 10
 Belt Guard 18
 Blower 12
 Blower Inlet Guard 18
 Burner 14
 Burner Orifice 14

C

Cabinet Parts 11
 Fan Motor Capacitor 5, 6
 Circuit Board 5, 6
 Circuit Board (DSI Ignition Cntrl) 5
 Collar 11
 Concentric Adapter Box 15
 Contactor 8
 Control Compartment 4
 DDC Controller 7
 Control of 2-6 Heaters 19
 Gas Conversion Kits 14

D

Date of Manufacture 3
 Disconnect Switch 5
 Door Handle 11
 Drives 10

E

Electrical Components 4
 Exhaust (Vent) Terminal 15
 Exhaust Grill 15

F

Fan Blade 11
 Fan Guard 11
 Flame Sensor 5, 6
 Flue Wrapper 13
 Fuse 5

G

Guards 18

H

Hanger Bar 11
 Hanger Kits 18
 Heat Exchanger 14
 High Altitude Switch 16

I

Ignition Control 6
 Combustion Air Inlet 15
 Inlet Guard 15

L

Label 11
 Limit Control 5, 6
 Horizontal Louver 11
 Vertical Louvers 16

M

Belt Drive Motor 8
 Blower Motor 8
 Direct Drive Motor 8
 Fan Motor 5
 Venter Motor 13
 Motor Adjustment Bracket 12
 Motor Mounting Components 12

N

Downturn Nozzles 17

O

Option CC1 16
 Option CC14 15
 Option CC2 15
 Option CC6 15
 Option CD1 16
 Option CD10 18
 Option CD11 18
 Option CD12 18
 Option CE1 19
 Option CG1 7
 Option CG2 7
 Option CG4 7
 Option CK10 18
 Option CK22 19
 Option CK8 18
 Option CL1 19
 Option CL22 19
 Option CL31 19
 Option CL32 19
 Option D10 7
 Option D14 7
 Options CD2, CD3, CD4, CD5 17
 Orifice 14

P

Paint 11
 Polytube Adapter 18
 High Altitude Pressure Switch 16
 Pressure Switch 5, 6
 Pressure Tap 13
 Blower Pulley 10
 Motor Pulley 10

R

Rating Plate 2
 References 3
 Restrictor 12

S

Serial No. 2
 Shaft 12
 Silicone Sealant 15
 Motor Starter 8
 Starter Overload 8
 Ceiling Suspension Kit 19
 Disconnect Switch 5, 6
 Door Switch 5, 6
 Flame Rollout Switch 5, 6

T

Terminal Board 5, 6
 Thermostat 19
 Stepdown Transformer Kits 7
 Transformer 5, 6

V



Gas Valve 5, 6
 Manual Shutoff Valve 19
 Vent Cap 16
 Venter Housing 13
 Venter Motor 13
 Venter Wheel 13
 Venting and Combustion Air Kits 15

W



Website 3
 Wiring Harness 5

Rating Plate and Serial No.

Example of a Rating Plate, Model UDAP

REZNOR			
MERCER, PA. USA 16137		NRTL	
MADE IN MEXICO			
UNIT HEATER			
CATEGORY [Z]			
ANSI Z83.8 [A] CSA 2.6 [A'] UNIT HEATER			
CSA .10.96 U.S. (2nd Ed.) UNIT HEATERS FOR RESIDENTIAL INSTALLATION			
MODEL [B]		[C]	
SERIAL NO. BBD 79 X7 N 00000			
[D] VOLTS [D] PH [D] HZ MAXIMUM TOTAL INPUT [D] AMPS			
TYPE OF GAS: [E]			
FOR USE AT 0-2000 FEET, 0-610 METERS OF ALTITUDE.			
ORIFICE SIZE [F] DRILL HAS BEEN FACTORY ADJUSTED			
SEA LEVEL			
NORMAL INPUT		[J] BTU/HR	
THERMAL OUTPUT CAPACITY		[L] BTU/HR	
MINIMUM INPUT(-2 MODELS)		[M] BTU/HR	
NORMAL MANIFOLD PRESSURE		[G] IN.W.C.	
MIN. PERMISSIBLE GAS SUPPLY PRESSURE			
FOR PURPOSE OF INPUT ADJUSTMENT.		[H] IN.W.C.	
CLEARANCES TO COMBUSTIBLE CONSTRUCTION: TOP-[N]",			
FLUE CONNECTION-6", CONTROL SIDE-18", OPP. SIDE-[P]",			
BOTTOM-1", FRONT-36".			
FOR ALTERNATE INSTALLATIONS USE THE LATEST EDITIONS OF			
THE APPROPRIATE STANDARD LISTED BELOW:			
FOR AIRCRAFT HANGARS		USE STANDARD ANSI/NFPA 409	
FOR PARKING STRUCTURES		USE STANDARD ANSI/NFPA 88A	
FOR REPAIR GARAGES		USE STANDARD ANSI/NFPA 88B	
THIS UNIT IS NOT FOR USE WITH DUCTS.			
THIS UNIT IS NOT FOR USE WITH FILTERS.			
IN THE EVENT THE FLAME ROLLOUT SENSOR CAUSES THE			
HEATER TO SHUT OFF, DETERMINE AND CORRECT THE CAUSE.			
FAILURE TO DO SO COULD RESULT IN PERSONAL INJURY OR			
DEATH. TO RESET, DEPRESS THE BUTTON ON THE SENSOR			
LOCATED ON THE BURNER BOX ASSEMBLY.			

Example of a Rating Plate, Model UDBP

REZNOR			
MERCER, PA. USA 16137		NRTL	
MADE IN MEXICO			
UNIT HEATER			
CATEGORY [Z]			
ANSI Z83.8 [A] CSA 2.6 [A'] UNIT HEATER			
MODEL [B]		[C]	
SERIAL NO. [K] HP			
[D] VOLTS [D] PH [D] HZ MAXIMUM TOTAL INPUT [D] AMPS			
TYPE OF GAS: [E]			
FOR USE AT 0-2000 FEET, 0-610 METERS OF ALTITUDE.			
ORIFICE SIZE [F] DRILL			
NORMAL INPUT		[J] BTU/HR	
THERMAL OUTPUT CAPACITY		[L] BTU/HR	
MINIMUM INPUT(-2 MODELS)		[M] BTU/HR	
NORMAL MANIFOLD PRESSURE		[G] IN.W.C.	
MIN. PERMISSIBLE GAS SUPPLY PRESSURE			
FOR PURPOSE OF INPUT ADJUSTMENT.		[H] IN.W.C.	
TEMPERATURE RISE RANGE FROM [Q] DEG. F. TO [R] DEG. F.			
MAXIMUM EXTERNAL STATIC PRESSURE [S] IN. W.C.			
CLEARANCES TO COMBUSTIBLE CONSTRUCTION: TOP-[N]", FLUE			
CONNECTION-6", CONTROL SIDE-18", OPP. SIDE-[P]", BOTTOM-1", FRONT-36"			
FOR ALTERNATE INSTALLATIONS USE THE LATEST EDITIONS OF THE			
APPROPRIATE STANDARD LISTED BELOW:			
FOR AIRCRAFT HANGARS		USE STANDARD ANSI/NFPA 409	
FOR PARKING STRUCTURES		USE STANDARD ANSI/NFPA 88A	
FOR REPAIR GARAGES		USE STANDARD ANSI/NFPA 88B	
INSTALLATION OF THIS UNIT IN AIRCRAFT HANGERS IN ACCORDANCE WITH			
THE REQUIREMENTS OF THE ENFORCING AUTHORITIES AND IN PUBLIC			
GARAGES IN ACCORDANCE WITH THE CAN/CGA-B149 (.1 OR .2) CODES.			
THIS UNIT IS NOT FOR USE WITH FILTERS.			
THIS UNIT MAY BE USED WITH DUCTS.			

Rating Plate Key:

A	Date of ANSI Standard	K	Blower Motor Horsepower
A'	Date of CSA Standard	L	BTU Thermal Output Sea Level
B	Model No.	M	BTU Minimum Input Sea Level
C	Month and Year of Manufacture	N	Top Clearance
D	Voltage, Phase, 60 Hertz, Maximum Total Input Amps	P	Left Side Clearance
E	Natural Gas or Propane	Q	Temperature Rise From (°F)
F	Orifice Size	R	Temperature Rise To (°F)
G	Manifold Pressure (3.5" w.c. Natural Gas; 10" w.c. Propane)	S	Maximum External Static Pressure (inches w.c.)
H	Minimum Gas supply Pressure (5.0" w.c. Natural Gas; 11.0" w.c. Propane)	Z	Category
J	BTU Normal Input Sea Level		

Decoding a Serial No.

Example of a Serial No. BBD 79 X7 N 00000					
CODE Nos.	1	2	3	4	5
CODE No.	Explanation				
1	Date of manufacture (see below)				
2	Type of ignition system				
3	Type of gas valve				
4	Gas (N = natural; L = propane)				
5	Consecutive number (identification only)				

First Element of the Serial Number - Date of Manufacture

Year	Jan	Feb	Mar	Apr	May	June	July	Aug	Sept	Oct	Nov	Dec
2002	BBA	BBB	BBC	BBD	BBE	BBF	BBG	BBH	BBI	BBJ	BBK	BBL
2003	BCA	BCB	BCC	BCD	BCE	BCF	BCG	BCH	BCI	BCJ	BCK	BCL
2004	BDA	BDB	BDC	BDD	BDE	BDF	BDG	BDH	BDI	BDJ	BDK	BDL
2005	BEA	BEB	BEC	BED	BEE	BEF	BEG	BEH	BEI	BEJ	BEK	BEL
2006	BFA	BFB	BFC	BFD	BFE	BFF	BFG	BFH	BFI	BFJ	BFK	BFL
2007	BGA	BGB	BGC	BGD	BGE	BGF	BGG	BGH	BGI	BGJ	BGK	BGL
2008	BHA	BHB	BHC	BHD	BHE	BHF	BHG	BHH	BHI	BHJ	BHK	BHL
2009	BIA	BIB	BIC	BID	BIE	BIF	BIG	BIH	BII	BIJ	BIK	BIL
2010	BJA	BJB	BJC	BJD	BJE	BJF	BJG	BJH	BJI	BJJ	BJK	BJL
2011	BKA	BKB	BKC	BKD	BKE	BKF	BKG	BKH	BKI	BKJ	BKK	BKL
2012	BLA	BLB	BLC	BLD	BLE	BLF	BLG	BLH	BLI	BLJ	BLK	BLL
2013	BMA	BMB	BMC	BMD	BME	BMF	BMG	BMH	BMI	BMJ	BMK	BML
2014	BNA	BNB	BNC	BND	BNE	BNF	BNG	BNH	BNI	BNJ	BNK	BNL
2015	BOA	BOB	BOC	BOD	BOE	BOF	BOG	BOH	BOI	BOJ	BOK	BOL
2016	BPA	BPB	BPC	BPD	BPE	BPF	BPG	BPH	BPI	BPJ	BPK	BPL
2017	BQA	BQB	BQC	BQD	BQE	BQF	BQG	BQH	BQI	BQJ	BQK	BQL
2018	BRA	BRB	BRC	BRD	BRE	BRF	BRG	BRH	BRI	BRJ	BRK	BRL
2019	BSA	BSB	BSC	BSD	BSE	BSF	BSG	BSH	BSI	BSJ	BSK	BSL
2020	BTA	BTB	BTC	BTD	BTE	BTF	BTG	BTH	BTI	BTJ	BTK	BTL

References

Printed Forms (Request by Form designation; not P/N.).....FormP/N

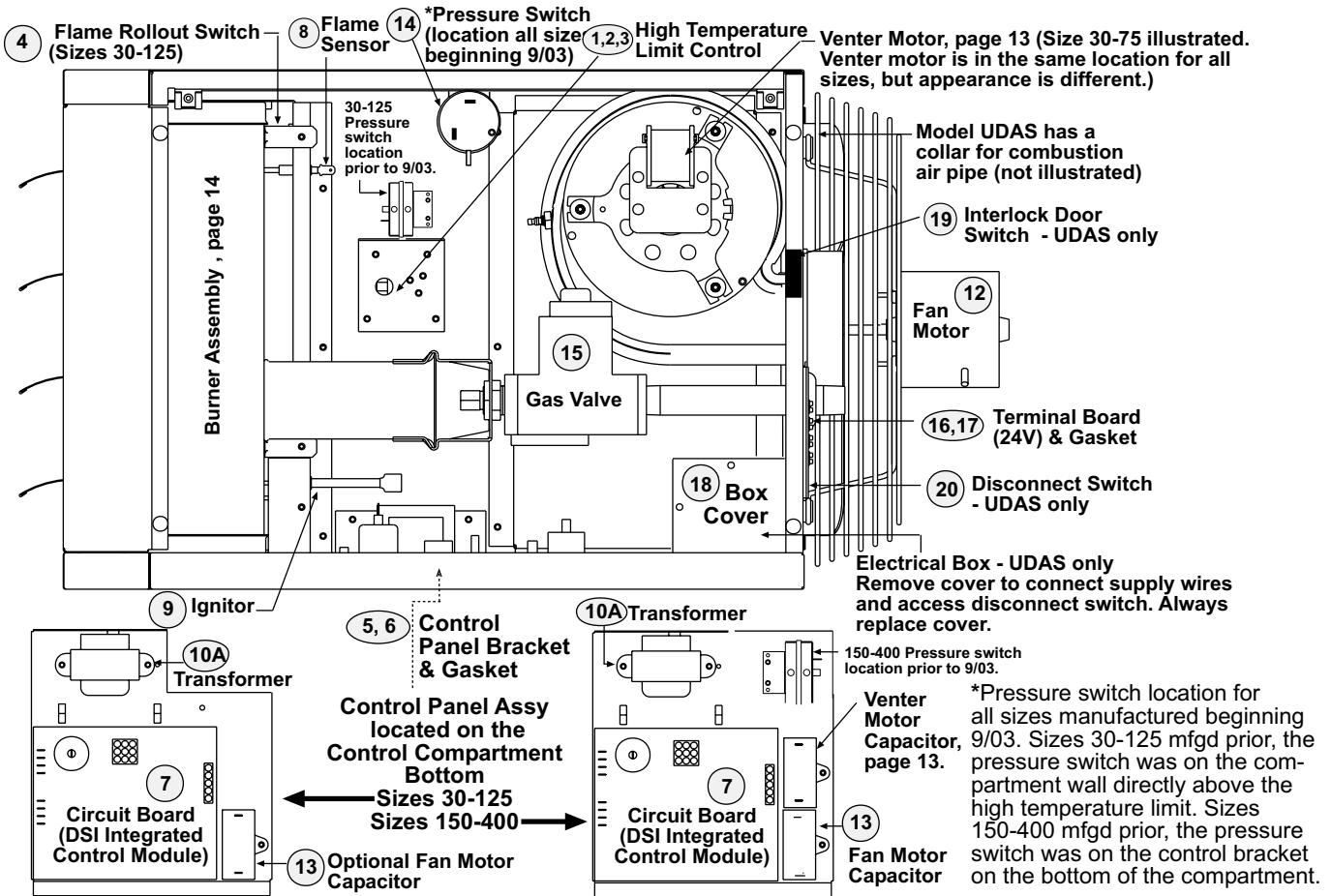
Installation/Operation/Maintenance - All UDAP and UDAS	I-UDA.....	195673
Installation/Operation/Maintenance - All UDBP and UDBS	I-UDB.....	202658
Venting Installation - Models UDAP and UDBP	I-UD-V-PV.....	195675
Venting Installation - Model UDAP-CV with Option AV6 (common vent)	I-UD-V-CV	195677
Venting Installation - Models UDAS and UDBS.....	I-UD-V-SC	195676
Gas Conversion	CP-UD-GC....	197209
High Altitude (above 6000 ft)	I-UD-HA.....	197081

Website (Forms are available for downloading.)

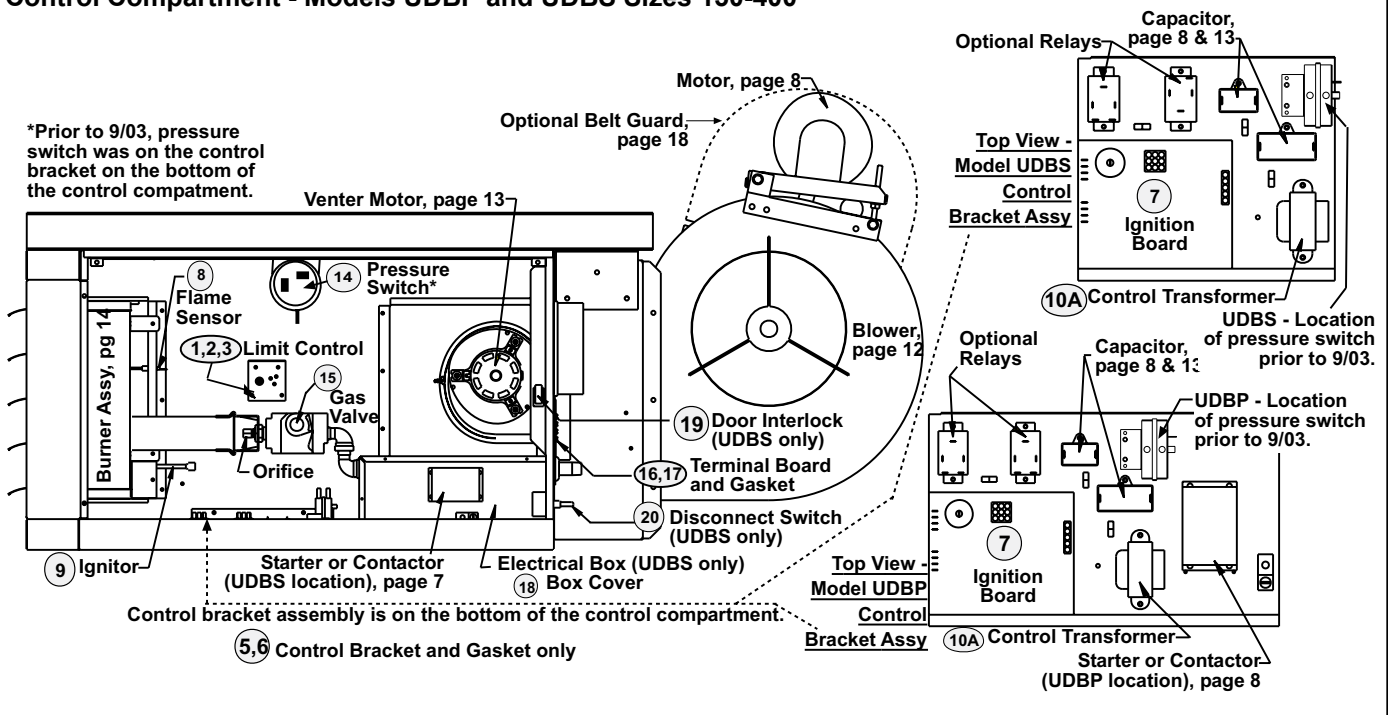
www.RezSpec.com

Electrical Components - Location, Quantity (Quantities other than one are listed in parenthesis.), and P/N (see page 6 for photos)

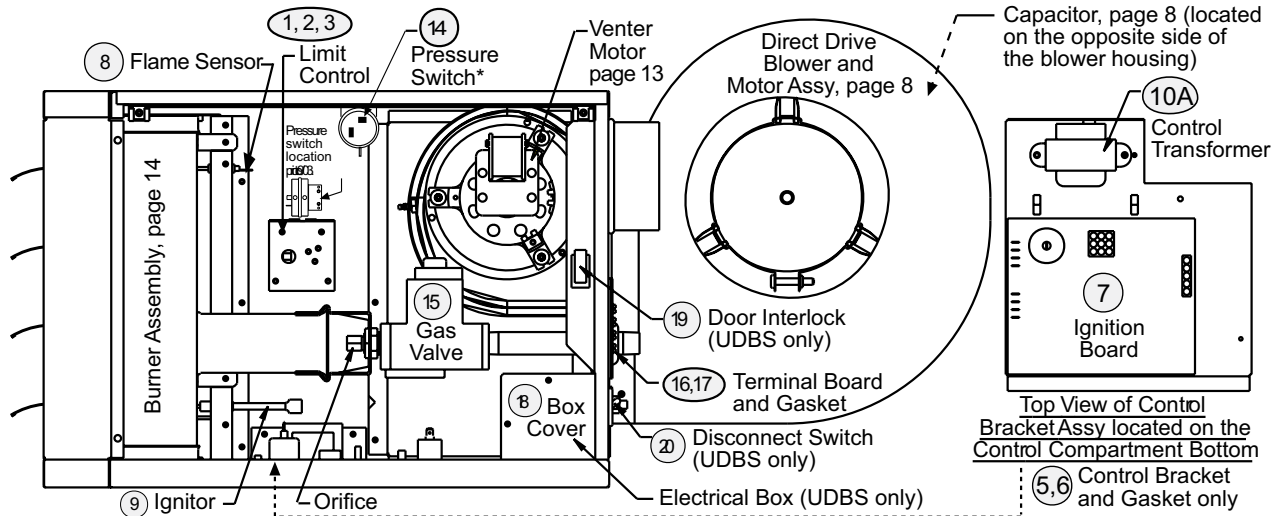
Control Compartment - Models UDAP and UDAS Sizes 30-400



Control Compartment - Models UDBP and UDBS Sizes 150-400



Control Compartment - Models UDBP and Sizes 30-125




*Prior to 9/03, pressure switch was located on the inner wall just above the limit control.

Code	Description	Model	30	45	60	75	100	125	150	175	200	225	250	300	350	400		
1A	High Temperature Limit Control, Auto Reset (NOTE: Color listed is the color of the identifying dot on the limit control label. "None" indicates no colored dot on the label.)	UDAP/UDAS	96512, 220°F, Blue		45602, 180°F, None			85449, 200°F, Yellow	45602, 180°F, None	82091, 160°F, Red	45602, 180°F, None	82091, 160°F, Red	45602, 180°F, None	85449, 200°F, Yellow		45602, 180°F, None		
		UDBP/UDBS	201961, 275°F, Green	96512, 220°F, Blue	85449, 200°F, Yellow	96512, 220°F, Blue	201961, 275°F, Green	45602, 180°F, None	202048, 240°F, Silver	45602, 180°F, None	201962, 250°F, Orange	202048, 240°F, Silver	85449, 200°F, Yellow					
1B	High Temperature Limit Control, Auto Reset - UDAP w/Opt AL2B	UDAP-45LN (low noise)	N/A	85449, 200°F, Yellow														
2	Limit Control Plate	All	170025															
3	Limit Control Bracket	UDAP/UDAS	170026															
		UDBP/UDBS	201771															
4	Flame Rollout Switch, Manual Reset	UDAP/UDAS	197033, 210°F / -31°F, Violet Dot	196949, 225°F / -31°F, Red Dot	196950, 250°F / -31°F, Yellow Dot													
5	Control Mounting Bracket	UDAP/UDAS	195551															
		UDBP	195551															
		UDBS	195551															
6	Cntrl Mounting Bracket Gasket	All	195664															
7	Circuit Board (DSI Ignition Cntrl)	All	195265, UTC 1097-210, Serial No. Code 79															
7A	Fuse for Circuit Board	All	P/N 201685 or replace with a field-supplied Type ATC or ATO 3 amp fuse, Color Code Violet.															
8	Flame Sensor	All	195292															
9	Ignitor (Electrode Assy)	All	175272															
10A	Transformer	UDAP/UDAS	175265, 25VA															
		All*	194808, 40 VA (*40VA transformer only applies to UDAP and UDAS when equipped with multiple heater control Option CL31)															
		UDBP/UDBS	194536, 40 VA															
10B	Xformer w/ Opts D10/14 DDC Cntrls	UDAP/UDAS	N/A															
**		UDAS	175265, 25VA and 194808, 40VA															
		UDBS	N/A															
11	Stepdown Transformer	UDAP/UDAS	(2) 194536, 40 VA															
		UDBP/UDBS	11100, 1/2 KVA															
		UDBS	202056, 575/120															
12A	Fan Motor (See spacing, pg 6.)	UDAP/UDAS	196240	196241	196242	196243	196244	196245	196246	196247	196248	196249	196250	196251	196252	196253	196254	
		UDAS	203310															
		UDBS	196826 ***															
12B	Fan Mtr 115V w/Opt AL2B	UDAP45-LN	N/A	203030	N/A												195302 ***	195303 ***
13	Fan Motor Capacitor	UDAP/UDAS	195642 (on units manufactured beginning 2/2011)															
		UDBP/UDBS	195643, 7.5 mfd															
		UDBS	217031, 15mfd															
14	Pressure Switch, 0 to 6000 ft (Above 6000 ft, see kits on page 16.)	UDAP-CV ****	197028, .65" w.c., Yellow	196388, .50" w.c., Orange	197029, .60" w.c., Light Blue	196362, .55" w.c., White												
		UDAP	197030, 40" w.c., Green	196388, .50" w.c., Orange	197030, 40" w.c., Green	201158, 1.10" w.c., Blue												
		UDAS	197028, .65" w.c., Yellow				196362, .55" w.c., White	197032, 45" w.c., Pink	197030, 40" w.c., Green	201158, 1.10" w.c., Blue	201158, 1.10" w.c., blue, on Sizes 350 & 400 mfgd beginning 7/23/2009.							
		UDBP	197030, 40" w.c., Green	196388, .50" w.c., Orange	197030, 40" w.c., Green	197030, 40" w.c., Green	201158, 1.10" w.c., Blue	201159, 1.40" w.c., red, Sizes 350 & 400 mfgd prior to 7/23/2009										
		UDBS	197030, 40" w.c., Green	196388, .50" w.c., Orange	197029, .60" Lt Blue	196388, .50" w.c., Orange	197030, 40" w.c., Green	197032, 45" w.c., Pink	197030, 40" w.c., Green	201158, 1.10" w.c., Blue								
15	Gas Valve	Natural, 1-Stage	196980, 1/2x1/2, MH VR8205K8905 (replaces 196848, Sizes 30-75)												196981, 3/4x3/4, MH VR8305K4241			
		Propane, 1-Stage	196982, 1/2x1/2, MH VR8205K2965 (replaces 196850, Sizes 30-75)												196983, 3/4x3/4, MH VR8305K4258			
		Natural, 2-Stage	197066, 1/2x1/2, MH VR8205N2921 (replaces 196849, Sizes 60-75)												197067, 3/4x3/4, MH VR8305N4297			
		Propane, 2-Stage	197064, 1/2x1/2, MH VR8205N2913 (replaces 196851, Sizes 60-75)												197065, 3/4x3/4, MH VR8305N4289			
16	Terminal Board (24V), 4 pole	All	196813															
17	Terminal Board Gasket	All	196327															
18	Electrical Box Cover	UDAS and UDBS only	201945															
19	Door Switch	All	217262, Carling #TA22B-TLB-B															
20	Disconnect Switch	All	101902 (after 10/06) / (201946 before 10/06)															
		UDAS	101902 (replaced 202054)															
21	Wiring Harness with 9 pin Terminal	UDAP/UDAS	197148	197199	197149	201417	201418	201419	201420	201421	201422	201423	201424	201425	201426	201427	201428	
		UDBP/UDBS	203523															
22	Wiring Harness w/ 5 pin Terminal	All	195653															


** For location, see page 7. ***When inventory of the 208/230V fan motors is depleted, they will no longer be available as replacement parts. A replacement 115V motor and the installation of a stepdown transformer kit (Opt CG1 or 2, page 7) will be required. Check with your distributor for availability. ****Model UDAP-CV is a Model UDAP with factory-installed Common Vent Option AV6

Electrical Components - See locations on pages 4 and 5.

<p>CODE 1 - High Temperature Limit Control, Auto Reset P/N 45602, 180°F, No Dot P/N 85449, 200°F, Yellow Dot P/N 96512, 220°F, Blue Dot P/N 202048, 240°F, Silver Dot P/N 201962, 250°F, Orange Dot P/N 201961, 275°F, Green Dot</p>	<p>CODE 4 - Flame Rollout Switch, Manual Reset</p>  <p>UDAP/UDAS 30, P/N 197033, 210°F, Violet Dot UDAP/UDAS 45, 60, 75, P/N 196949, 225°F, Red Dot UDAP/UDAS 100, 125, P/N 196950, 250°F, Yellow Dot</p>
---	---



CODE 7 - Circuit Board (DSI Ignition Control), P/N 195265, UTC 1097-210



To replace fuse, use P/N 201685 or a field supplied Type ATC or ATO 3 amp fuse, Color Code Violet.

CODE 8 - Flame Sensor, P/N 195292




CODE 9 - Ignitor (Electrode Assembly), P/N 175272



CODE 10 - Transformer


115V-25VA, P/N 175265
 115V-40VA, P/N 194808
 208/230V-40VA, P/N 194536



CODE 11 - Stepdown Transformer

460V-120V, 1/2 KVA (500VA), P/N 11100
 575V-120V, P/N 202056

(Stepdown transformer is not in the control compartment; it hangs on the outside of the heater cabinet.)

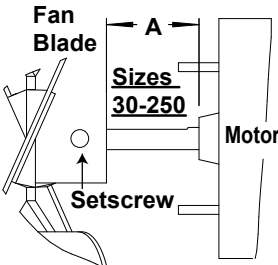


CODE 12 - Fan Motor

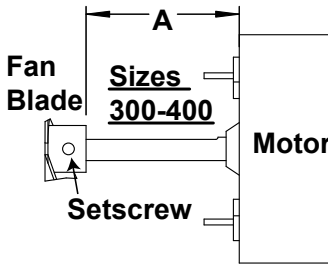


See motor application and P/N's on page 5.
 For fan blade P/N's, see page 11.

Fan Blade/Motor Spacing by Size



Sizes 30-250




Sizes 300-400

CODE 13 - Fan Motor Capacitor



UDAP/UDAS Size	30	45	UDAP45LN (w/AL2B)	60	75	100	125	150	175	200	225	250	300	350	400
Dimension A	inches	1 9/16	3/4	1-1/2	2-1/8	2-3/8	2-5/16	2-3/8	2-1/8	1-5/8	2	2	2	1-7/8	1-3/8
	mm	25	14	19	38	54	60	59	60	54	41	51	51	51	48
Setscrew torque (in/lbs ±10)	80					120			130						



CODE 14 - Pressure Switch, H/W #IS2



See application and P/N's on page 5. For high altitude (above 6000 ft), see page 16.

CODE 15 - Gas Valve

See application by P/N, Type, and Size on page 5.


<p>Single-Stage Gas Valve</p>  <table border="1" style="width:100%; border-collapse: collapse; text-align: center;"> <tr> <th>P/N</th> <th>Serial No. Code</th> <th>Replacement for Serial No. Code</th> </tr> <tr> <td>196980</td> <td>Y2</td> <td>X7</td> </tr> <tr> <td>196981</td> <td>Y3</td> <td></td> </tr> <tr> <td>196982</td> <td>Y4</td> <td>X9</td> </tr> <tr> <td>196983</td> <td>Y5</td> <td></td> </tr> </table>	P/N	Serial No. Code	Replacement for Serial No. Code	196980	Y2	X7	196981	Y3		196982	Y4	X9	196983	Y5		<p>Two-Stage Gas Valve</p>  <table border="1" style="width:100%; border-collapse: collapse; text-align: center;"> <tr> <th>P/N</th> <th>Serial No. Code</th> <th>Replacement for Serial No. Code</th> </tr> <tr> <td>197066</td> <td>Y8</td> <td>X8</td> </tr> <tr> <td>197067</td> <td>Y9</td> <td></td> </tr> <tr> <td>197064</td> <td>Y6</td> <td>Y1</td> </tr> <tr> <td>197065</td> <td>Y7</td> <td></td> </tr> </table>	P/N	Serial No. Code	Replacement for Serial No. Code	197066	Y8	X8	197067	Y9		197064	Y6	Y1	197065	Y7	
P/N	Serial No. Code	Replacement for Serial No. Code																													
196980	Y2	X7																													
196981	Y3																														
196982	Y4	X9																													
196983	Y5																														
P/N	Serial No. Code	Replacement for Serial No. Code																													
197066	Y8	X8																													
197067	Y9																														
197064	Y6	Y1																													
197065	Y7																														

CODE 16 - Terminal Board, 24V, 4 pole, P/N 196813




CODE 17 - Terminal Board Gasket for UDAS and UDBS, P/N 196327

CODE 19 - Interlock Door Switch, UDAS and UDBS, P/N 217262



CODE 20 - Disconnect Switch, UDAS and UDBS



DDC Controller, P/N 207944, and other components used in Option D10 and Option D14 (D14 requires field-provided sensor) - applies to Sizes 150-400

CODE	P/N	Description
21A	207944	Novar Controller, Model Minio 737200000
21B	207945	Novar Discharge Sensor Model 712007000DTS 30 (Option D10 only)
22	208069	Controller Bracket
23	195669	Gasket
24	98118	Relay, Heat

Code 21A, Novar Controller (mounts on the inside wall of the control compartment)

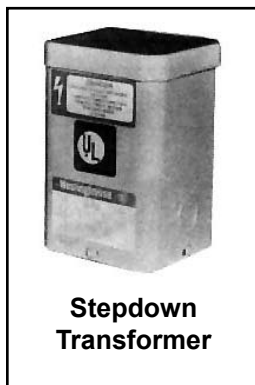
CODE 24 - Relay

CODE 10B - Transformer (See page 5.)

CODE 22 - Bracket
CODE 23 - Gasket



CODE 25 - Stepdown Transformer Kits (Same as Options CG1, CG2, CG4)



For Model UDAP or UDAS	30	45, 60, 75, 100	125, 150, 175, 200	225, 250	300, 350, 400
Option CG1 (208 to 120V)	260919	260920	260921	260922	260923
includes Transformer (P/N, kva)	260927, .25	260928, .50	260929, .75	223462, 1.0	260930, 1.5
Option CG2 (230 to 120V) and Option CG4 (460 to 120V)	197150	197151	197152	197153	197154
includes Transformer (P/N, kva)	11279, .25	11100, .50	11217, .75	16065, 1.0	197085, 1.5
All UDAP/UDAS Option CG1, CG2, and CG4 Kits listed above include the following parts:					
Transformer Bracket	197079			197080	
Transformer Bracket Gasket	195663				
Hex Head Cap Screw	32253, 3/8 x 1" lg				
3/8" Lock Washer	5197				
3/8" Flat Washer	6593				
BX Cable, 3/8"	45097, 38"	174394, 46"	63292, 49"	10460, 56"	201465, 70"
Black wire 14 gauge, 105°C	32520, 54"	7208, 62"	123150, 65"	48862, 72"	201466, 86"
White wire 14 gauge, 105°C	201243, 54"	201242, 62"	123152, 65"	48861, 72"	201467, 86"
Green wire 14 gauge, 105°C	201241, 54"	201240, 62"	201468, 65"	201462, 72"	201469, 86"
Anti-Short Bushing	(2) 16358				
Straight Connector	16199				
90° Connector	1417, T&B #XC-290				
Cable Clamp, 1/2"	16227, Heyco #3328				
Sheetmetal Screws	(3) 11813, #10 x 1/2"				
Wire Connector 73B	(10) 16354, Ideal #3-0253				

NOTE: For stepdown transformer for **UDBP** or **UDBS** with **460V** or **575V**, see CODE 11, page 6.

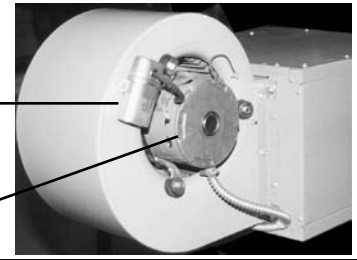
For Model UDBP or UDBS	30, 45	60, 75	100, 125
Option CG1 (208 to 120V)	260924	260925	260926
includes Transformer (P/N, kva)	260928, .50	223462, 1.0	260931, 2.0
Option CG2 (230 to 120V) and Option CG4 (460 to 120V)	202976	202977	202978
includes Transformer (P/N, kva)	11100, .50	16065, 1.0	202979, 2.0
All UDBP/UDBS Option CG1, CG2, and CG4 Kits listed above include the following parts:			
Transformer Bracket	197079		
Transformer Bracket Gasket	195663		
BX Cable, 3/8", (length in inches)	45097, 38"	174394, 46"	63292, 49"
Black wire 14 gauge, 105°C, (length in inches)	32520, 54"	7208, 62"	123150, 65"
White wire 14 gauge, 105°C, (length in inches)	201243, 54"	201242, 62"	123152, 65"
Green wire 14 gauge, 105°C, (length in inches)	201241, 54"	201240, 62"	201468, 65"
Anti-Short Bushing	(2) 16358		
Straight Connector, T&B #302	16202		
90° Connector, T&B #XC-290	1417		
Cable Clamp, 1/2" Heyco #3328	16227		
Sheetmetal Screws	(3) 11813		
Wire Connector 73B	(10) 16354		

Blower Motor, Capacitor, Starter, and Contactor

Model UDBP and UDBS Sizes 30-125

Code	Description	30	45	60	75	100	125
26	Direct Drive Motor Assembly	202731		202732		202733	
26A	Motor	201760		201761		201762	
		1/6 HP		1/3 HP		3/4 HP	
26B	Fleximount Adapter	-	-	-	-	201764	
26C	Motor Band	51221				-	-
26D	Support Arm	(3) 51223				-	-
26E	Hex Head Cap Screw 1/4" - 20 X 1-1/2" long	51231				-	-
26F	1/4" - 20 Nut (Keys)	7328				-	-
26G	BX Cable, 3/8"	2889, 30"				174387, 43"	
26H	Anti-Short Bushing	(2) 16358				-	-
27	Blower Motor Capacitor, 370V	101917		101918		201763	
		5MFD		7.5MFD		15MFD	
28A	Capacitor End Cap	82113				-	-
28B	Capacitor Strap Bracket	82114				-	-

CODE 26 - Direct Drive Motor



CODE 27- Motor Capacitor

CODE 26A - Motor

CODE 29 - Belt Drive Blower Motor



CODE 30 and 31 - Motor Starter and Overload



CODE 32 - Blower Motor Contactor

Motors that don't list a contactor require a starter.

If a contactor is listed below, starter is optional.



Model UDBP and UDBS Sizes 150-400 -

CODE 29 Belt Drive Motor; CODE 30 Starter Overload; CODE 31 Motor Starter; CODE 32 Contactor

Motors that don't list a contactor require a starter. If a contactor is listed, starter is optional.

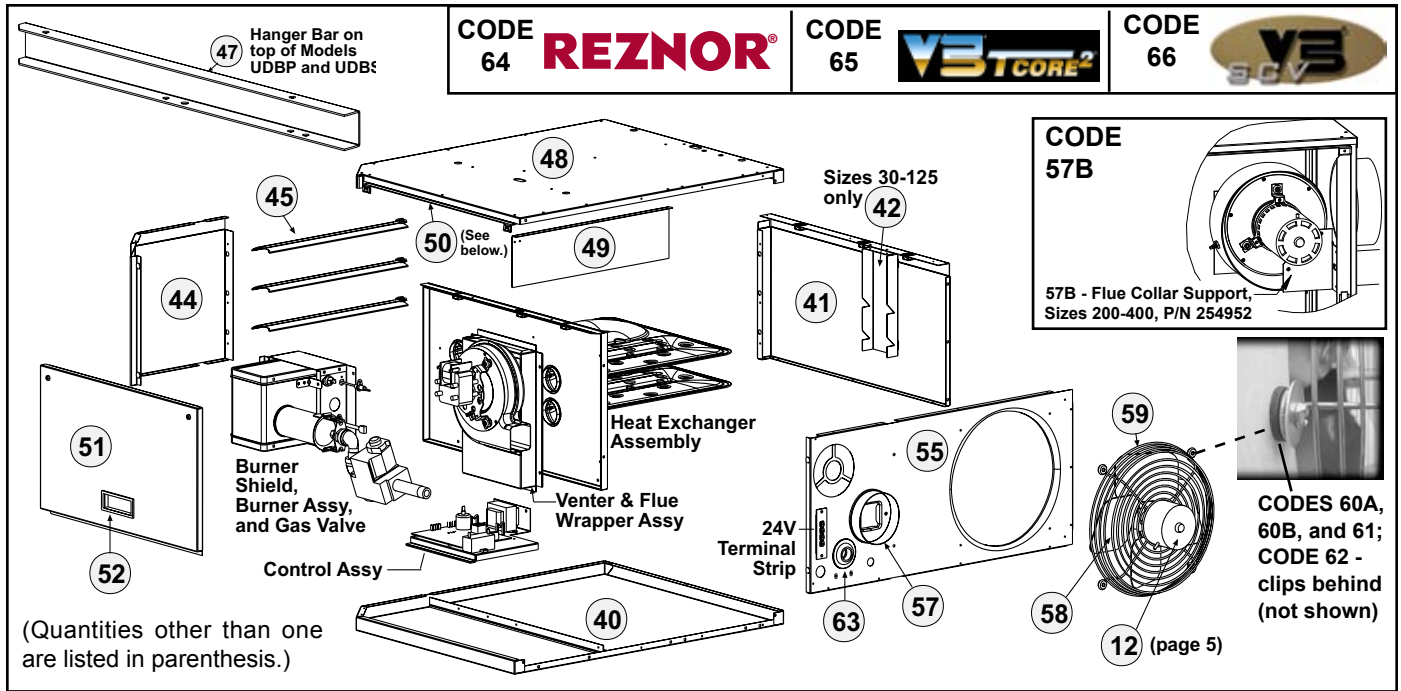
MOTOR			Mfr	Reznor	Volt	ph	Service Factor	Power Factor	Efficiency	OVERLOAD				STARTER		CONTACTOR	
Type	HP	FLA	Model No.	P/N						min	max	GE #	P/N	GE #	P/N	GE #	P/N
Open	1/4	4.6	BF2024	210611	120	1	1.35			4.00	6.30	RTA1-L	151191	CL00A310T-J	151146	42AF35AF	119626
Open	1/4	2.3	BF2024	210611	208	1	1.15	63	59.0%	1.80	2.70	RTA1-J	151189	CL00A310T-L	151150	42AF35AG	119627
Open	1/4	2.3	BF2024	210611	240	1	1.15	63	59.0%	1.80	2.70	RTA1-J	151189	CL00A310T-S	151147	42AF35AG	119627
Open	1/4	1.1	M3003 or H200	115864	208	3	1.35	72	74.0%	1.00	1.50	RTA1-G	151187	CL00A310T-L	151150	-	-
Open	1/4	1.4	M3003 or H200	115864	240	3	1.35	72	74.0%	1.00	1.50	RTA1-G	151187	CL00A310T-S	151147	-	-
Open	1/4	0.75	M3003 or H200	115864	480	3	1.35	72	81.0%	0.65	1.10	RTA1-F	151186	CL00A310T-J	151146	-	-
Open	1/3	6	BF2034	202091	120	1	1.35			4.00	6.30	RTA1-L	151191	CL00A310T-J	151146	42AF35AF	119626
Open	1/3	3	BF2034	202091	208	1	1.35			2.50	4.10	RTA1-K	151190	CL00A310T-L	151150	42AF35AG	119627
Open	1/3	3	BF2034	202091	240	1	1.35			2.50	4.10	RTA1-K	151190	CL00A310T-S	151147	42AF35AG	119627
Open	1/3	1.4	M3007 or H260	115863	208	3	1.35			1.00	1.50	RTA1-G	151187	CL00A310T-L	151150	-	-
Open	1/3	1.6	M3007 or H260	115863	240	3	1.35			1.30	1.90	RTA1-H	151188	CL00A310T-S	151147	-	-
Open	1/3	0.8	M3007 or H260	115863	480	3	1.35			0.65	1.10	RTA1-F	151186	CL00A310T-J	151146	-	-
Open	1/2	8.8	327P828 or BF2054	102627	120	1	1.15			8.00	12.00	RTA1-N	151193	CL00A310T-J	151146	42AF35AF	119626
Open	1/2	5.1	327P828 or BF2054	102627	208	1	1.15			4.00	6.30	RTA1-L	151191	CL00A310T-L	151150	42AF35AG	119627
Open	1/2	4.4	327P828 or BF2054	102627	240	1	1.15			4.00	6.30	RTA1-L	151191	CL00A310T-S	151147	42AF35AG	119627
Open	1/2	2.5	H880	159183	208	3	1.25			1.80	2.70	RTA1-J	151189	CL00A310T-L	151150	42AF35AG	119627
Open	1/2	3	H880	159183	240	3	1.25			2.50	4.10	RTA1-K	151190	CL00A310T-S	151147	42AF35AG	119627
Open	1/2	1.5	H880	159183	480	3	1.25			1.30	1.90	RTA1-H	151188	CL00A310T-J	151146	42AF35AF	119626
Open	1/2	0.9	H991	202089	575	3	1.25			0.65	1.10	RTA1-F	151186	CL00A310T-J	151146	-	-
Open	3/4	11	312P629	93548	120	1	1.25			10.00	16.00	RTA1-P	151194	CL01A310T-J	151151	42AF35AF	119626
Open	3/4	6.3	312P629	93548	208	1	1.25			5.50	8.50	RTA1-M	151192	CL00A310T-L	151150	42AF35AG	119627
Open	3/4	5.5	312P629	93548	240	1	1.25			4.00	6.30	RTA1-L	151191	CL00A310T-S	151147	42AF35AG	119627
Open	3/4	2.9	312P696	36951	208	3	1.25			2.50	4.10	RTA1-K	151190	CL00A310T-L	151150	42AF35AG	119627
Open	3/4	2.6	312P696	36951	240	3	1.25			2.50	4.10	RTA1-K	151190	CL00A310T-S	151147	42AF35AG	119627
Open	3/4	1.3	312P696	36951	480	3	1.25			1.00	1.50	RTA1-G	151187	CL00A310T-J	151146	42AF35AF	119626
Open	3/4	1	H992	202090	575	3	1.25			0.65	1.10	RTA1-F	151186	CL00A310T-J	151146	-	-
Open	1	13	327P297 or C523	13685	120	1	1.25			10.00	16.00	RTA1-P	151194	CL01A310T-J	151151	42AF35AF	119626
Open	1	7.5	327P297 or C523	13685	208	1	1.25			5.50	8.50	RTA1-M	151192	CL00A310T-L	151150	42AF35AG	119627
Open	1	6.5	327P297 or C523	13685	240	1	1.25			5.50	8.50	RTA1-M	151192	CL00A310T-S	151147	42AF35AG	119627
Open	1	3.7	312P703 or H882	36580	208	3	1.15		79.0%	2.50	4.10	RTA1-K	151190	CL00A310T-L	151150	42AF35AG	119627
Open	1	3.2	312P703 or H882	36580	240	3	1.15		79.0%	2.50	4.10	RTA1-K	151190	CL00A310T-S	151147	42AF35AG	119627
Open	1	1.6	312P703 or H882	36580	480	3	1.15		79.0%	1.30	1.90	RTA1-H	151188	CL00A310T-J	151146	42AF35AF	119626
Open	1	1.1	E1006	158175	575	3	1.15		82.5%	1.00	1.50	RTA1-G	151187	CL00A310T-J	151146	-	-
Open	1.5	15	C621	194202	120	1	1.2	86.4	77.2%	10.00	16.00	RTA1-P	151194	CL02A310T-J	151156	42AF35AF	119626
Open	1.5	7.8	C621	194202	208	1	1.2	86.4	77.2%	5.50	8.50	RTA1-M	151192	CL00A310T-L	151150	42AF35AG	119627
Open	1.5	7.5	C621	194202	240	1	1.2	86.4	77.2%	5.50	8.50	RTA1-M	151192	CL00A310T-S	151147	42AF35AG	119627
Open	1.5	5.6	H884	115859	208	3	1.15	66.4	78.6%	4.00	6.30	RTA1-L	151191	CL00A310T-L	151150	42AF35AG	119627
Open	1.5	5	H884	115859	240	3	1.15	66.4	78.6%	4.00	6.30	RTA1-L	151191	CL00A310T-S	151147	42AF35AG	119627
Open	1.5	2.8	H884	115859	480	3	1.15	66.4	78.6%	2.50	4.10	RTA1-K	151190	CL00A310T-J	151146	42AF35AF	119626
Open	1.5	1.6	E1007	158162	575	3	1.15	85.3	84.0%	1.30	1.90	RTA1-H	151188	CL00A310T-J	151146	-	-

Drives - CODE 35 Motor Pulley, CODE 36 Blower Pulley, CODE 37 Belt

UDBP and UDBS	OPEN MOTOR	Option AL	Voltage Option	Drive, Option AM	Motor Pulley			Blower Pulley			Average Belt Links and Type*
	HP				P/N	Model	Bore	P/N	Model	Bore	
150 and 175	1/4, 1/3	2, 3	AK1, AK2, AK3, AK5, AK6, AK7	1, 2	4074	1VL34	1/2	111609	AK 99	1	"A-section" 3.8 ft
				3, 4	13491	1VL40	1/2	111609	AK 99	1	"A-section" 3.8 ft
				5, 6, 7	13491	1VL40	1/2	19111	AK 84	1	"A-section" 3.8 ft
				8, 9, 10, 11, 12	13491	1VL40	1/2	18797	AK 64	1	"A-section" 3.8 ft
				13, 14, 15, 16, 17	13491	1VL40	1/2	135200	AK 51	1	"A-section" 3.8 ft
150, 175, 200, 225, 250, 300, 350, and 400	1/2, 3/4, 1, 1-1/2	4, 5, 6, 7	AK1, AK2, AK3, AK5, AK6, AK7	1, 2	13580	1VL34	5/8	111609	AK 99	1	"A-section" 3.8 ft
				3, 4	7962	1VL40	5/8	111609	AK 99	1	"A-section" 3.8 ft
				5, 6, 7	7962	1VL40	5/8	19111	AK 84	1	"A-section" 3.8 ft
				8, 9, 10, 11, 12	7962	1VL40	5/8	18797	AK 64	1	"A-section" 3.8 ft
				13, 14, 15, 16, 17	7962	1VL40	5/8	135200	AK 51	1	"A-section" 3.8 ft
150, 175, 200, 225, 250, 300, 350, and 400	1/2, 3/4	4, 5	AK8	1, 2	13580	1VL34	5/8	111609	AK 99	1	"A-section" 3.8 ft
				3, 4	7962	1VL40	5/8	111609	AK 99	1	"A-section" 3.8 ft
				5, 6, 7	7962	1VL40	5/8	19111	AK 84	1	"A-section" 3.8 ft
				8, 9, 10, 11, 12	7962	1VL40	5/8	18797	AK 64	1	"A-section" 3.8 ft
				13, 14, 15, 16, 17	7962	1VL40	5/8	135200	AK 51	1	"A-section" 3.8 ft
150, 175, 200, 225, 250, 300, 350, and 400	1, 1-1/2	6, 7	AK8	1, 2	110125	1VP34	7/8	111609	AK 99	1	"A-section" 3.8 ft
				3, 4	106748	1VL40	7/8	111609	AK 99	1	"A-section" 3.8 ft
				5, 6, 7	106748	1VL40	7/8	19111	AK 84	1	"A-section" 3.8 ft
				8, 9, 10, 11, 12	106748	1VL40	7/8	18797	AK 64	1	"A-section" 3.8 ft
				13, 14, 15, 16, 17	106748	1VL40	7/8	135200	AK 51	1	"A-section" 3.8 ft
150, 175, 200, 225, 250, 300, 350, and 400	2	8	AK1, AK2, AK3	1, 2	13580	1VL34	5/8	111609	AK 99	1	"A-section" 3.8 ft
				3, 4	7962	1VL40	5/8	111609	AK 99	1	"A-section" 3.8 ft
				5, 6, 7	7962	1VL40	5/8	19111	AK 84	1	"A-section" 3.8 ft
				8, 9, 10, 11, 12	7962	1VL40	5/8	18797	AK 64	1	"A-section" 3.8 ft
				13, 14, 15, 16, 17	7962	1VL40	5/8	135200	AK 51	1	"A-section" 3.8 ft
150, 175, 200, 225, 250, 300, 350, and 400	2	8	AK5, AK6, AK7, AK8	1, 2	110125	1VP34	7/8	111609	AK 99	1	"A-section" 3.8 ft
				3, 4	106748	1VL40	7/8	111609	AK 99	1	"A-section" 3.8 ft
				5, 6, 7	106748	1VL40	7/8	19111	AK 84	1	"A-section" 3.8 ft
				8, 9, 10, 11, 12	106748	1VL40	7/8	18797	AK 64	1	"A-section" 3.8 ft
				13, 14, 15, 16, 17	106748	1VL40	7/8	135200	AK 51	1	"A-section" 3.8 ft
150, 175, 200, 225, 250, 300, 350, 400	3	9	AK2, AK3	9, 10, 11, 12	7962	1VL40	5/8	202652	AK124	1	"A-section" 3.8 ft
				13, 14, 15, 16, 17, 18, 19	7962	1VL40	5/8	202653	AK94	1	"A-section" 3.8 ft
150, 175, 200, 225, 250, 300, 350, 400	3, 5	9, 10	AK5, AK6, AK7, AK8	9, 10, 11, 12	106748	1VL40	7/8	101414	BK130	1	"B-section" 3.8 ft
				13, 14, 15, 16, 17	106748	1VL40	7/8	202654	BK105	1	"B-section" 3.8 ft
UDBP and UDBS	TEFC MOTOR	Option AL	Voltage Option	Drive, Option AM	Motor Pulley			Blower Pulley			Average Belt Links and Type*
HP	HP				P/N	Model	Bore	P/N	Model	Bore	
150 and 175	1/4	19	AK1	1, 2	4074	1VL34	1/2	111609	AK 99	1	"A-section" 3.8 ft
				3, 4	13491	1VL40	1/2	111609	AK 99	1	"A-section" 3.8 ft
				5, 6, 7	13491	1VL40	1/2	19111	AK 84	1	"A-section" 3.8 ft
				8, 9, 10, 11, 12	13491	1VL40	1/2	18797	AK 64	1	"A-section" 3.8 ft
				13, 14, 15, 16, 17	13491	1VL40	1/2	135200	AK 51	1	"A-section" 3.8 ft
150, 175, 200, 225, 250, 300, 350, and 400	1/4	19	AK2, AK3, AK5, AK6, AK7	1, 2	13580	1VL34	5/8	111609	AK 99	1	"A-section" 3.8 ft
				3, 4	7962	1VL40	5/8	111609	AK 99	1	"A-section" 3.8 ft
				5, 6, 7	7962	1VL40	5/8	19111	AK 84	1	"A-section" 3.8 ft
				8, 9, 10, 11, 12	7962	1VL40	5/8	18797	AK 64	1	"A-section" 3.8 ft
				13, 14, 15, 16, 17	7962	1VL40	5/8	135200	AK 51	1	"A-section" 3.8 ft
150 and 175	1/3	20	AK1, AK2, AK3, AK5, AK6, AK7	1, 2	4074	1VL34	1/2	111609	AK 99	1	"A-section" 3.8 ft
				3, 4	13491	1VL40	1/2	111609	AK 99	1	"A-section" 3.8 ft
				5, 6, 7	13491	1VL40	1/2	19111	AK 84	1	"A-section" 3.8 ft
				8, 9, 10, 11, 12	13491	1VL40	1/2	18797	AK 64	1	"A-section" 3.8 ft
				13, 14, 15, 16, 17	13491	1VL40	1/2	135200	AK 51	1	"A-section" 3.8 ft
150, 175, 200, 225, 250, 300, 350, and 400	1/2, 3/4, 1	21, 22, 23	AK1, AK2, AK3, AK5, AK6, AK7, AK8	1, 2	13580	1VL34	5/8	111609	AK 99	1	"A-section" 3.8 ft
				3, 4	7962	1VL40	5/8	111609	AK 99	1	"A-section" 3.8 ft
				5, 6, 7	7962	1VL40	5/8	19111	AK 84	1	"A-section" 3.8 ft
				8, 9, 10, 11, 12	7962	1VL40	5/8	18797	AK 64	1	"A-section" 3.8 ft
				13, 14, 15, 16, 17	7962	1VL40	5/8	135200	AK 51	1	"A-section" 3.8 ft
150, 175, 200, 225, 250, 300, 350, and 400	1-1/2	24	AK1, AK2, AK3, AK5, AK6, AK7	1, 2	13580	1VL34	5/8	111609	AK 99	1	"A-section" 3.8 ft
				3, 4	7962	1VL40	5/8	111609	AK 99	1	"A-section" 3.8 ft
				5, 6, 7	7962	1VL40	5/8	19111	AK 84	1	"A-section" 3.8 ft
				8, 9, 10, 11, 12	7962	1VL40	5/8	18797	AK 64	1	"A-section" 3.8 ft
				13, 14, 15, 16, 17	7962	1VL40	5/8	135200	AK 51	1	"A-section" 3.8 ft
150, 175, 200, 225, 250, 300, 350, and 400	1-1/2	24	AK8	1, 2	110125	1VP34	7/8	111609	AK 99	1	"A-section" 3.8 ft
				3, 4	106748	1VL40	7/8	111609	AK 99	1	"A-section" 3.8 ft
				5, 6, 7	106748	1VL40	7/8	19111	AK 84	1	"A-section" 3.8 ft
				8, 9, 10, 11, 12	106748	1VL40	7/8	18797	AK 64	1	"A-section" 3.8 ft
				13, 14, 15, 16, 17	106748	1VL40	7/8	135200	AK 51	1	"A-section" 3.8 ft
150, 175, 200, 225, 250, 300, 350, and 400	2	25	AK5, AK6, AK7, AK8	1, 2	110125	1VP34	7/8	111609	AK 99	1	"A-section" 3.8 ft
				3, 4	106748	1VL40	7/8	111609	AK 99	1	"A-section" 3.8 ft
				5, 6, 7	106748	1VL40	7/8	19111	AK 84	1	"A-section" 3.8 ft
				8, 9, 10, 11, 12	106748	1VL40	7/8	18797	AK 64	1	"A-section" 3.8 ft
				13, 14, 15, 16, 17	106748	1VL40	7/8	135200	AK 51	1	"A-section" 3.8 ft
150, 175, 200, 225, 250, 300, 350, 400	3	26	AK5, AK6, AK7, AK8	9, 10, 11, 12	106748	1VL40	7/8	101414	BK130	1	"B-section" 3.8 ft
				13, 14, 15, 16, 17	106748	1VL40	7/8	202654	BK105	1	"B-section" 3.8 ft

* Assume 17 belt links per foot. CODE 37, "A" Belt link, P/N 201809, Fenner #0408030; "B" Belt link, P/N 202655, Fenner #0408050.

Cabinet Parts



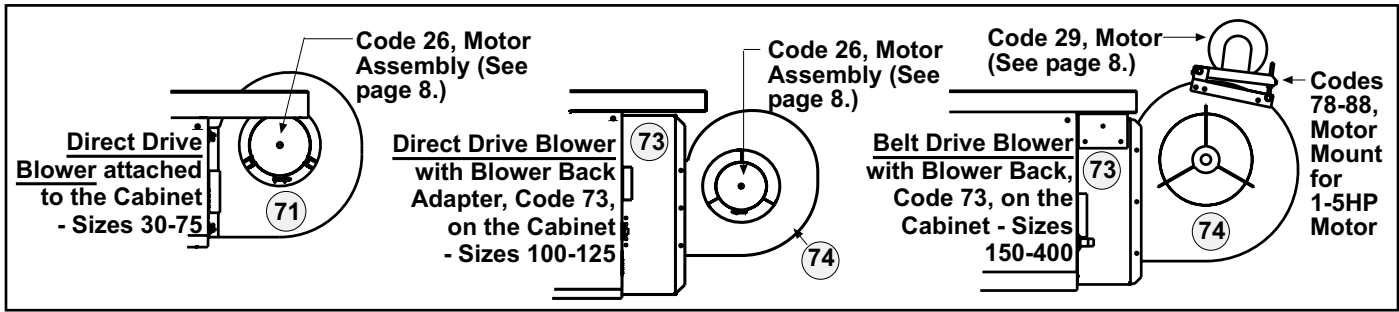
(Quantities other than one are listed in parenthesis.)

Description		Model	30	45	60	75	100	125	150	175	200	225	250	300	350	400	
40	Bottom Pan Assembly	All	195772						196025			196350					
41	Left Side Panel	All	195492			195493		195494		195562			195563				
42	Heat Exchanger Support	All	196317	196318	196319	196320	196321	196322	The heat exchanger support and support gaskets for Sizes 150-400 are part of the replacement heat exchanger; see page 14.								
43	Ht Exchanger Support Gasket	All	(2) 195663														
44	Front Panel (if replacing on unit mfgd prior to 4/2010, requires new top panel, Code 48.)	UDAP/UDAS	195489*		195490*		195491*		201692		201693		201694				
		UDBP/UDBS	201755		201756		201757		201692		201693		201694				
45A	Horizontal Louver	All	(3) 195314	(4) 195314	(6) 195314	(5) 195578	(7) 195578	(10) 195578									
45B	Compression Spring for Louvers	All	(3) 195046	(4) 195046	(6) 195046	(5) 195046	(7) 195046	(10) 195046									
46	Hanger Bar	Right	202744		202746	202748	202750	202752		202754		202756	202758				
		Left	202743		202745	202747	202749	202751		202753		202755	202757				
47	Clip Nut (for hanging)	All	(2) 196336														
48	Top Panel (effective 4/2010, includes Code 50; replacing on unit mfgd prior to 4/2010 requires new Code 44.)	UDAP/UDAS	195498*						195556			195557					
		UDBP/UDBS	201406						202944			195557					
49	Top Air Baffle	UDAP/UDAS	195545	195546	195547	195548	195549	195550	--	--	--	--	--	--	--	--	
		UDBP/UDBS	--	--	--	--	--	--	202945	202946	--	--	--	--	--	--	
50	Top Door Seal	All	195999 (beginning 4/2010, part of top panel, Code 48)						196225 (beginning 4/2010, part of top panel, Code 48)								
51A	Access Door (door only without handle and gaskets)	UDAP/ UDBP	195483		195484		195485		195565		195566		195567				
		UDAS/ UDBS	207604		207605		207606		207607		207608		207609				
51B	Window Plug	All	207525														
52	Door Handle	All	196881														
53	Door Rubber	UDAP/UDBP	(4) 155064														
54	Door Gaskets	UDAS/UDBS	(2) 196331						(2) 196173								
		UDAP	(2) 196332	(2) 196333	(2) 196334	(2) 196174	(2) 201675	(2) 201676									
55	Rear Panel - UDAS and UDBS include inlet collar. (Fan Model UDAP is illustrated.)	UDAP	195486		195487		195488*		196347		195558		195560				
		UDAS	197035		197036		197037*		197038		197039		197041				
		UDBP	201399		201400		196346		201789		201790		201792				
		UDBS	201383		201384		201385		202319		202320		202322				
56	Outlet Collar Gasket	All	170048									196822					
57A	Outlet Collar (attaches with screws)	UDAP w/std vent & UDBP	195077, 4"						195079, 5"		216950, 5"			216951, 6"			
		UDAP-CV w/Opt AV6	195077, 4"						195079, 5"		216950, 5"			216951, 6"			
		UDAS and UDBS	195077, 4"						195079, 5"		216950, 5"			216951, 6"			
57B	Flue (Outlet) Collar Support	--	--	--	--	--	--	--	254952 (See illustration top right corner.)								
58	Fan Blade (See motor shaft spacing on page 6.)	UDAP/UDAS	195644	195645	195646	195647	195648	195649	195678, Revcor 18, 3-22	195679, Revcor 18, 3-29	195680, Revcor 18, 3-32	195681, Revcor 20, 3-27	195682, Revcor 20, 3-30	195683, Revcor 24, 3-20	209122, Lau 61206801 (replaces 195684)	209121, Lau 61204001 (replaces 195685)	
		UDAP45 Low Noise, Opt AL2B	N/A	202960	N/A												
59	Fan Guard - std spacing	UDAP/UDAS	175266		175267		195047		170084		170085		170086				
			260873		260874		260875		--		--		--				
60A	Fan Guard Isolator Bushing	UDAP/UDAS	(4) 196349						(4) 96451								
60B	Screws for Codes 60A & 61		(4) 196330						(4) 96452								
61	Fan Guard Isolator		(4) 196348														
62	Fan Guard Clips (in back)	UDAS/UDBS	(4) 54633														
63	Grommet for Pipe		102607														
64	Reznor Label	All	196690		196689		196691		196689		196691		15021				
65	V3 T-CORE ² Label	UDAP/UDBP	196693														
66	SCV V3 Label	UDAS/UDBS	201856														
67	Cabinet Touchup Paint	All	201805, 11oz spray can, white														
68	Horizontal Louver Paint		207432, 12 oz aerosol can, maroon														

*Parts changed effective 3/18/03. Not interchangeable with previously manufactured parts with same P/N.

Cabinet Parts (cont'd)

Blower Backs and Blowers - UDBP and UDBS



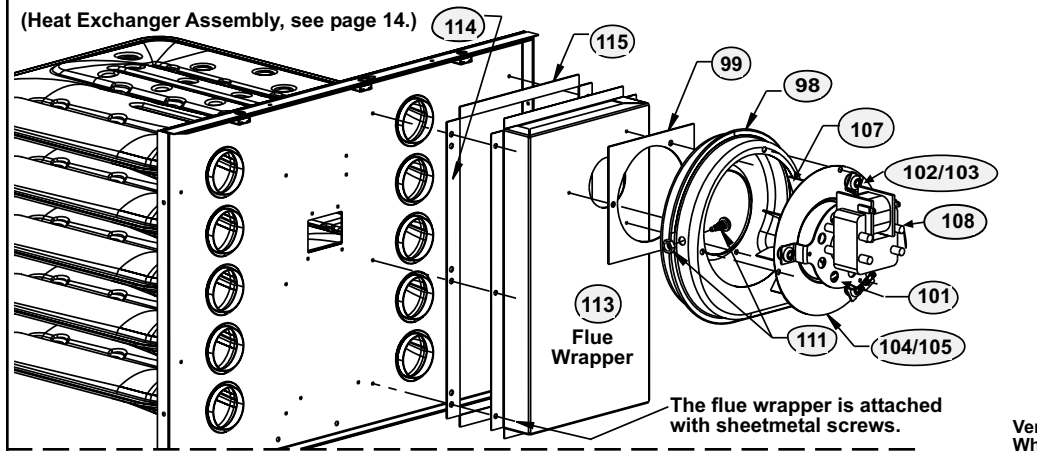
Code	Description	30	45	60	75	100	125	150	175	200	225	250	300	350	400
70	Restrictor Assembly	201408	-	-	-	-	-	-	-	-	-	-	-	-	-
70A	Restrictor	194512	-	-	-	-	-	-	-	-	-	-	-	-	-
70B	Restrictor Angle	(3) 100892	-	-	-	-	-	-	-	-	-	-	-	-	-
70C	Sheetmetal Screw	(3) 195638	-	-	-	-	-	-	-	-	-	-	-	-	-
71	Blower Assembly	201401													
71A	Blower 9 X 6	82111													
71B	Blower Mounting Angle	(2) 201740													
71C	#10 x 1/2" Long Tekes	(6) 37661													
72	Blower Back Corner Post	-	-	-	-	196239		201797		201798		201799			
73	Blower Adapter Back Assy	-	-	-	-	201403		202931	201800	201801		201802			
73A	Adapter Back Bottom	-	-	-	-	202050	202050	201718		201719		201720			
73B	Adapter Back Top	-	-	-	-	196032	196032	201715		201716		201717			
73C	Adapter Back Left Side	-	-	-	-	197253	197253	201724		201725		201726			
73D	Adapter Back Right Side	-	-	-	-	197254	197254	201721		201722		201723			
73E	Screw	-	-	-	-	(20) 195638		(34) 195638		(26) 195638		(34) 195638			
73F	Air Baffle Horizontal	-	-	-	-	(2) 196344		202934	(2) 202932	-	-	(2) 202933			
73G	Air Baffle Vertical	-	-	-	-	196345	196345	-	-	-	-	-	-	-	-
73H	Hanger Support Bracket Left	-	-	-	-	-	-	202759							
73I	Hanger Support Bracket Right	-	-	-	-	-	-	202760							
73J	Bolt 1/4" X 5/8" (Hanger Support Bracket to Adapter Back)	-	-	-	-	-	-	(6) 47252							
73K	Nut 1/4" - 20	-	-	-	-	-	-	(6) 7328							
74	Blower	See CODE 71.				201770, 10x10		1360, 12x12		100658, 15x11		100659, 15x15			
75A	Key, 1/4" square x 1-1/4" long	-	-	-	-	-	-	16099							
75B	Blower Shaft	-	-	-	-	-	-	11303, 1 x 22				100747, 1 x 23			
75C	Blower Bearings	-	-	-	-	-	-	10437, SRC-16-1-1"							

Blower Motor Mounting Components

Motor Mounting 1/4 - 3/4 HP Motor		150-250
76	Motor Adjustment Bracket Assembly	193996
76A	Motor Adjustment Bracket	12575
76B	5/16-18 Spotweld Nut	(2) 16233
76C	Hex Head Motor Adjustment, Bolt, 5/16-18 x 4" lg	(2) 14668
76D	5/16-18 Hex Nut	(2) 1035
76E	1/4-20 x 3/4" long Hex Head, Cap Screw	(2) 16246
76F	1/4-20 Hex Nut (Kep)	(2) 10650
76G	1/4" Flat Washer	(4) 1320
77	Hardware Bag for CODE 76	64940

Motor Mounting 1-5 HP Motor		175-200	225-250	300-400
78	Motor Mounting Plate for 1HP - 5HP	202839	202840	202841
79	Motor Mounting Plate Left Support	12576		
80	Motor Mounting Plate Right Support	12577		
81	Rod Bolt 5/16-18	(2) 12489		
82	Hex Nut 5/16-18	(2) 1035		
83	Hex Nut 5/16-18 (Keps)	(6) 6554		
84	Flat Washer 5/16"	(8) 1087		
85	5/16-18 x 3/4" lg Hex Head Cap Screw	(6) 16247		
86	5/16-18 x 1-1/2" lg Hex Head Cap Screw	(2) 16248		
87	5/16"-18 Threaded Insert #ATS2-518	(4) 124260		
88	#10-16 x 1/2" long Tekes	(4) 37661		

Venter and Flue Wrapper Components

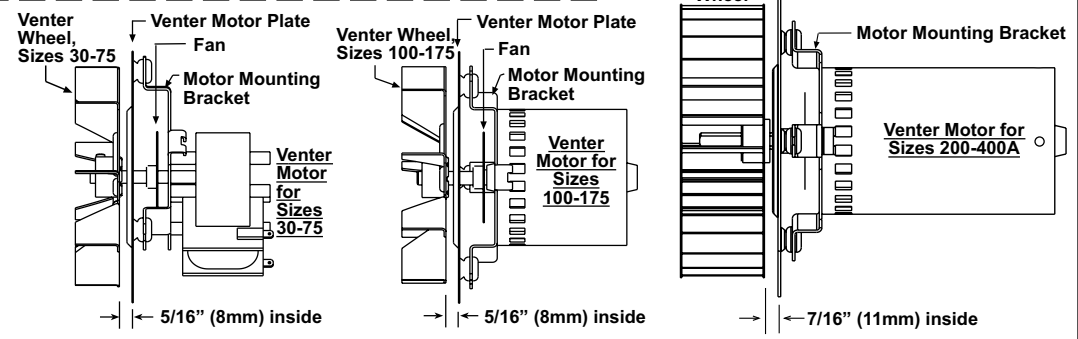


CODE 109 - Venter Motor Capacitor



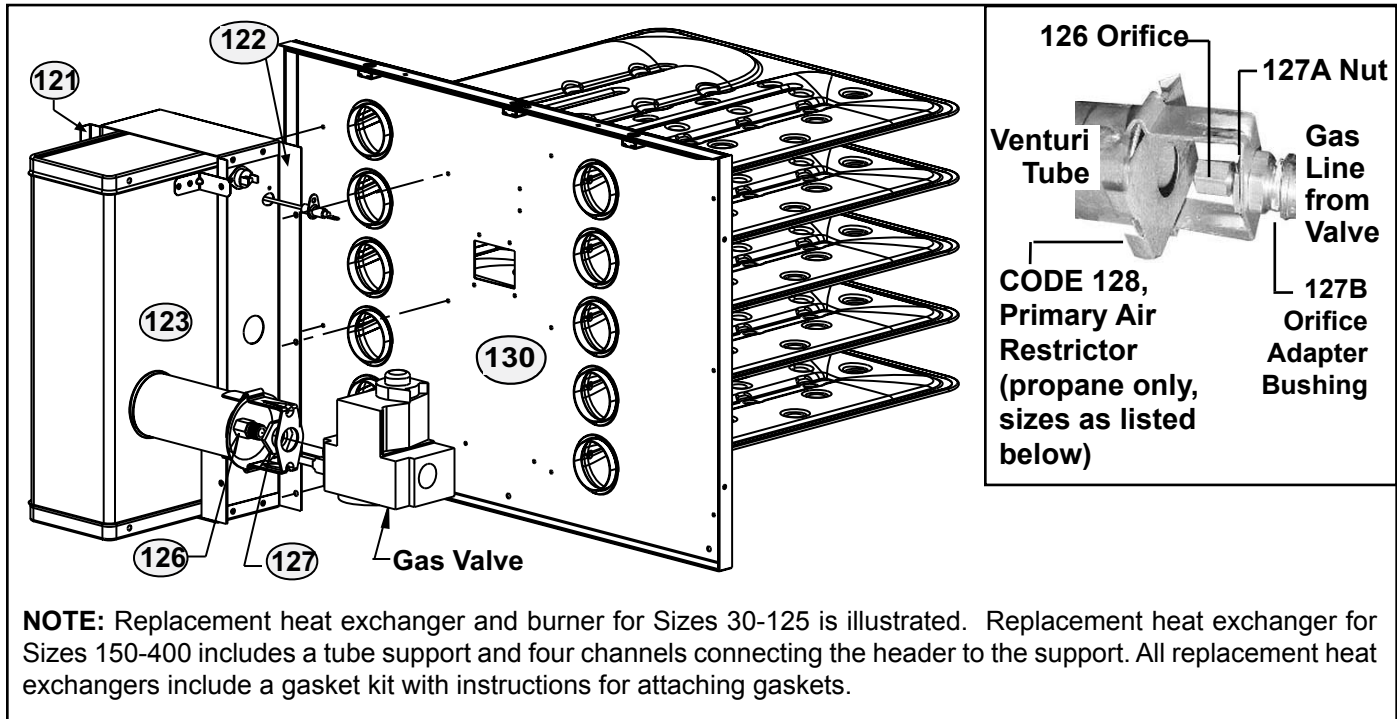
See P/N's below and location on page 4.

CODE 100 - Venter Motor and Wheel Assemblies showing Components and Spacing



Code	Description	Model	30	45	60	75	100	125	150	175	200	225	250	300	350	400								
98	Venter Housing	All	196248									195634 prior to 7/23/09; 257029 after 7/23/09												
99	Venter Housing Gasket	All	196012									196013 prior to 7/23/09; 254935 after 7/23/09												
100	Venter Motor and Wheel Assy NOTE: 460V & 575V supply use 115V vnttr motor.	115V All (not w/AV6)	220779			220780			220782			220784			220786									
		208/230V/1ph UDAP/UDAS	220781			220783			220785			220787												
		208/230V/3ph UDBP/UDBS	N/A			220783			220785			220787												
NOTE: CODE 100 includes Codes 101 - 107, 108A, and 110																								
101	Venter Motor Bracket	All	195072			--			--			195072												
102	Venter Motor Isolator	All	--									(3) 194534												
103A	Venter Motor Isolator Bushing	All	--									(3) 194803												
103B	Venter Motor Isolator Bushing Screw	All	--									(3) 113275												
104	Venter Motor Plate	All	--									194806												
105	Venter Motor Plate Gasket	All	--									194910												
106A	Venter Motor Clip	All	--									201472												
106B	Venter Motor Clip Screw	All	194805 (208/230V only)									(3) 194805												
			92851 (208/230V only)									(3) 92851												
107	Venter Wheel	All Models except UDAP-CV	195036									195666												
		UDAP-CV w/AV6 (common vent)	211819									--												
108A	Venter Motor only NOTE: 460V and 575V supply use 115V venter motor.	115V All	175273			256091			196036			196037			196236									
		115V w/AV6 UDAP	217032			256091			--			--			--									
		208/230V/1ph UDAP/UDAS	196827			196828			196829			196830												
		208/230V/3ph UDBP/UDBS	N/A			196828			196829			196830												
108B	Vnttr Mtr w/Opt D10&14 DDC Cntrl	115V UDAP/UDAS	N/A			207992/196036			208194/196037			196236/207892												
		208/230V/1ph UDAP/UDAS	N/A			196828			196829			196830												
109A	Vnttr Motor Capacitor (in control compartment; see page 4) NOTE: 460V and 575V supply use 115V venter motor.	115V All	--			--			195641, 4MFD, 400 VAC, #MB40040EB			195643, 7.5MFD, 400 VAC, #MB40075EB			195642, 5MFD, 400VAC, #MB40050EB									
		208-230V/1ph UDAP/UDAS	--			--			195641, 4MFD, 400 VAC, #MB40040EB			195642, 5MFD, 400VAC, #MB40050EB			195641, 4MFD, 400 VAC, #MB40040EB									
		208-230V/3ph UDBP/UDBS	N/A			195642/195641			195643			195642			195643									
109B	Vnttr Mtr Capacitor w/Opt D10&14 DDC	115V UDAP/UDAS	N/A			195642/195641			195643			195642			195643									
110	Venter Motor Cooling Fan	All	195766									196035												
111	Static Pressure Tap	All	--									116043												
112	Silicone Rubber Tubing	All	148986, 6" long						148251, 12"			205837, 16"		130673, 20"		157904, 22"								
113	Flue Wrapper Assy - Sizes 200-400 manufactured prior to 7/23/09	UDAP w/ std power vent & UDBP	196000	196001	196002	196003	196004	196005	201473	204461	201475	201476	201477	201478	201481	202721								
		UDAP-CV with Option AV6	196802	196803	196804	196805	196806	--	--	--	--	--	--	--	--	--								
		UDAS	196807	196808	196809	196810	196811	196812	201473	204461	201475	201476	201477	201478	201481	202721								
	UDBS	202715	202716	202717	202718	202719	196812	201473	204461	254944	254945	254946	254947	254948	254949									
	Flue Wrapper Assy - Sizes 200-400 manufactured after 7/23/09	UDAP w/ std power vent & UDBP	Same as P/N's listed above for Sizes 30-175.																					
		UDAP-CV with Option AV6	Same as P/N's listed above for Sizes 30-175.																					
UDAS		254944	254945	254946	254947	254948	254949	254944	254945	254946	254947	254948	254949	254944	254945	254946	254947	254948	254949					
		UDBS	254944	254945	254946	254947	254948	254949	254944	254945	254946	254947	254948	254949	254944	254945	254946	254947	254948	254949				
114	Side Flue Wrapper Gasket	All	(2) 170029		(2) 170030		(2) 170031		(2) 170033		(2) 170034		(2) 170035		(2) 170042		(2) 170043		(2) 170044		(2) 170036		(2) 170037	
115	Top/Btm Flue Wrapper Gasket	All	(2) 170038						--						(2) 170039									

Heat Exchanger and Burner Assemblies



Burner Assembly (Quantities other than one are listed in parenthesis.)

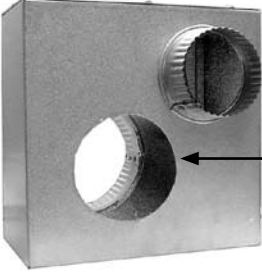
Code	Description	Model	30	45	60	75	100	125	150	175	200	225	250	300	350	400	
121	Burner Shield Front Side	UDAP/UDAS	222100	222101	222102	222103	222105	222106	222107	222108	222109	222110	222111	222112			
		UDBP/UDBS				222104								222112	222113		
122	Burner Shield Rear Side	UDAP/UDAS	222127	222128	222129	222130	222131	222132	222133	222134	222136	222137	222138	222139			
		UDBP/UDBS	222147	222148	222149	222150	222151	222152						222139	222140		
123	Burner Assembly	UDAP/UDAS	195231	195232	195233	195234	195235	195236	195237	195238	195239	195240	195241	195242	195243		
		UDBP/UDBS	195231	195232	195233	202642	195235	195236	195237	195238	195239	195240	195241	195242	195243		
123A	Burner End Gaskets	All	(2) 195667						(2) 195668								
124	Burner Baffle	UDAP/UDAS	--	--	--	--	(2) 196750	--	(2) 197238						(2) 197239	--	
		UDBP/UDBS	--	--	(2) 196749	(2) 202682	(2) 202683	(2) 202684	(2) 196750	--	(2) 197238						(2) 197239
125	Burner Support	All	(3) 196597	(4) 196597			(6) 196597		(4) 196598			(6) 196598					
126	Burner Orifice	Natural Gas	196853	196838	196839	196855	120158	196840	131581	196891	196892	221121	208255	221122	221123	196897	
		Propane	196844	196845	196846	196852	196854	196847	196898	196899	196900	196901	196902	196903	196904	196905	
127A	1/2" Pipe Nut		1.6MM	#48	2.3MM	#39	3.0MM	3.2MM	9/64"	#24	4.1MM	11/64"	#14	#8	#3	5.8MM	
127B	Orifice Adapter Bushing		165701, 1/2x1/4									194809, 3/4x3/8					
128	Primary Air Restrictor	Propane only	UDAP/UDAS	196687		196688		--	196688	--	--	--	--	--	--	--	
		UDBP/UDBS	203078	202051		196688		--	--	--	--	--	--	--	--		
129	Gas Conversion Kits	Natural to Propane	UDAP/UDAS	201727		201728		202938		201730		201731		201732			
		UDBP/UDBS	202936	202937													
		Propane to Natural	All	201733		201734		201735		201736		201737		201738			

Heat Exchanger Assembly (Quantities other than one are listed in parenthesis.)

Code	Description		30	45	60	75	100	125	150	175	200	225	250	300	350	400
130	Heat Exchanger Assembly with Gasket Kit	UDAP and UDAS	Aluminized	201628	201629	201630	201631	201632	201633	201634	201635	201636	201637	201638	201639	201640
			409 SS	201654	201655	201656	201657	201658	201659	201660	201661	201662	201663	201664	201665	201666
		UDBP and UDBS	Aluminized	202623	202624	202625	202626	202627	202628	201634	201635	201636	201637	201638	201639	201640
			409 SS	202629	202630	202631	202632	202633	202634	201660	201661	201662	201663	201664	201665	201666
			316 SS	202635	202636	202637	202638	202639	202640	201647	201648	201649	201650	201651	201652	201653
		130A	Gasket Kit for Heat Exchanger		201667		201668		201669		201670		201671		221214	

Venting and Combustion Air Kits - Models UDAS and UDBS

CODES 135A and 136A - Concentric Adapter Box Assembly

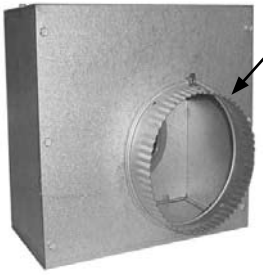


View of Heater Connection Side

Collar for attaching the combustion air pipe from the heater

Opening for the vent pipe. The vent pipe extends from the terminal, through the outside air pipe, through the box, and connects to the vent run.

View of Vent Terminal Connection Side



Collar for attaching the outside portion of the combustion air pipe (the vent pipe runs concentric through the outside portion of the combustion air pipe)

CODE 135B - Exhaust Terminal (Vertical Kit)



CODE 135C - Combustion Air Inlet (Vertical Kit)



CODE 136B - Exhaust Grill (Horizontal Kit)



CODE 136C - Inlet Guard (Horizontal Kit)




CODE 135 - Vertical Vent Terminal/Combustion Air Package (Same as Option CC2) includes:					CODE 136 - Horizontal Vent Terminal/Combustion Air Package (Same as Option CC6) includes:				
Code	Qty	Size	P/N	Description	Code	Qty	Size	P/N	Description
135	1	30-125 150-400	205895 205896	Complete Vertical Vent Kit (Same as Option CC2)	136	1	30-125 150-400	211762 211763	Complete Horizontal Vent Kit (Same as Option CC6) (as of 11/2005; see below)
135A	1	30-125 150-400	205884 205885	Concentric Adapter Box Assembly	136A	1	30-125 150-400	211789 211790	Concentric Adapter Box Assembly
135B	1	30-125 150-400	155631 53326	Exhaust (Vent) Terminal	136B	1	30-125 150-400	211791 211792	Exhaust Grill
135C	1	30-125 150-400	155635 53330	Combustion Air Inlet	136C	1	30-125 150-400	151755 124940	Inlet Guard
136D	2	30-400	207232	Concentric Adapter Box Bracket	136D	8	30-400	37661	#10-16 x 1/2" lg Screws to attach guard & grill
135E	1	30-400	53335	Tube of High Temperature (450°F) Silicone Sealant	136E	2	30-400	207232	Concentric Adapter Box Bracket
					136F	1	30-400	53335	Tube of High Temperature (450°F) Silicone Sealant

Replacement Parts for Horizontal Vent Terminal/Combustion Air Package (Option CC6) prior to 11/2005

Code	Qty	Size	P/N	Description
136G	1	30-125	205884	Concentric Adapter Box Assembly
		150-400	205885	
136H	1	30-125	155096	Screened Exhaust Assembly
		150-400	53316	
136J	1	30-125	151755	Inlet Guard
		150-400	124940	
136K	2	30-400	207232	Concentric Adapter Box Bracket


CODE 136H - Screened Exhaust Assembly (Horizontal Kit)




CODE 137 - Aesthetic Horizontal Concentric Vent/Combustion Air Kit - Models UDAS and UDBS Sizes 30, 45, 60, and 75 (Same as Option CC14)

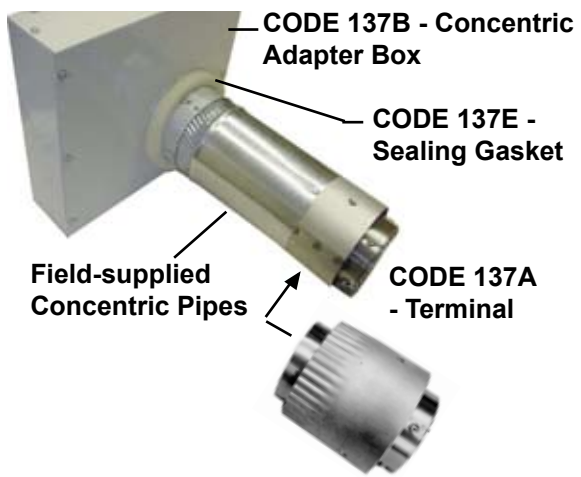
Package P/N 209343 (Same as Option CC14)			
CODE	P/N	Qty	Description
137A	208994	1	Assembled Vent/Combustion Air Terminal
137B	209320	1	Concentric Adapter Box
137C	209337	2	Mounting Brackets
137D	195638	6	Sheetmetal Screws #8-18 X 3/8
137E	209338	1	Sealing Gasket
137F	53335	1	Clear Sealant, #732, 3 oz tube

***Example of a Finished Vinyl Siding Installation**




***Example of a Finished Brick Wall Installation**






CODE 137B - Concentric Adapter Box



CODE 137E - Sealing Gasket

Field-supplied Concentric Pipes



CODE 137A - Terminal

***Field-supplied parts required.**

Accessories/Options

CODE 140 - High Altitude Pressure Switch Kit - Above 6000 ft/1830M Elevation (Same as Option DJ20, DJ21) - Models UDAP, UDAS, UDBP, UDBS as listed

See pressure switch locations in illustrations on pages 4 and 5.



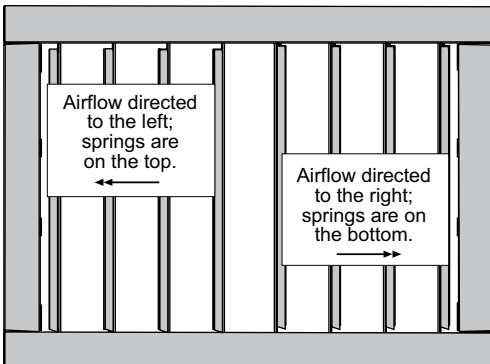
Option DJ20 for Model UDAP installed as a standard Power Vented Fan-Type Unit Heater	Model UDAP	30	45	60	75	100	125	150	175	200	225	250	300	350 & 400			
														before 7/23/09	after 7/23/09		
	Pkg P/N	197117			197118			197117			201162			201163	201162		
	High Altitude Switch P/N	197031			197032			197031			201160			201161	201160		
	Negative Pressure OFF Setpoint "w.c."	0.35			0.45			0.35			1.0			1.30	1.0		
	Label color	Purple			Pink			Purple			Brown			White	Brown		
Option DJ21 applies only to Model UDAP-CV with Option AV6 for Common Venting	Model UDAP-CV	30	45	60	75	100										350 & 400	
	Pkg P/N	197119	197118	197120	197121												
	High Altitude Switch P/N	197029	197032	196362	196388												
	Negative Pressure OFF Setpoint "w.c."	0.60	0.45	0.55	0.50												
	Label color	Lt Blue	Pink	White	Orange												
Option DJ20 for Model UDAS Separated Combustion Fan-Type Unit Heater	Model UDAS	30	45	60	75	100	125	150	175	200	225	250	300	350 & 400			
	Pkg P/N	197119				197121	197205	197117	201162			201163	201162				
	High Altitude Switch P/N	197029				196388	197030	197031	201160			201161	201160				
	Differential Pressure OFF Setpoint "w.c."	0.60				0.50	0.40	0.35	1.0			1.30	1.0				
	Label color	Lt. Blue				Orange	Green	Purple	Brown			White	Brown				
Option DJ20 for Model UDBP Power Vented Blower-Type High Static Unit Heater	Model UDBP	30	45	60	75	100	125	150	175	200	225	250	300	350 & 400			
	Pkg P/N	197117			197118			197117			201162			201163	201162		
	High Altitude Switch P/N	197031			197032			197031			201160			201161	201160		
	Negative Pressure OFF Setpoint "w.c."	0.35			0.45			0.35			1.0			1.30	1.0		
	Label color	Purple			Pink			Purple			Brown			White	Brown		
Option DJ20 for Model UDBS Separated Combustion Blower-Type High Static Unit Heater	Model UDBS	30	45	60	75	100	125	150	175	200	225	250	300	350 & 400			
	Pkg P/N	197117	197118	202103	197118	197117	197205	197117	201162			201163	201162				
	High Altitude Switch P/N	197031	197032	196362	197032	197031	197030	197031	201160			201161	201160				
	Differential Pressure OFF Setpoint "w.c."	0.35	0.45	0.55	0.45	0.35	0.40	0.35	1.0			1.30	1.0				
	Label color	Purple	Pink	White	Pink	Purple	Green	Purple	Brown			White	Brown				

CODE 141 - Vent Cap - Models UDAP and UDBP (Same as Option CC1)



Code	Description	30	45	60	75	100	125	150	175	200	225	250	300	350	400	
140A	Vent Cap for standard UDAP and UDBP	111848, 4"					111849, 5"					111850, 6"				
140B	Vent Cap for UDAP-CV (Model UDAP with Option AV6 for common venting)	111848, 4"	111849, 5"	--	--	--	--	--	--	--	--	--	--	--	--	

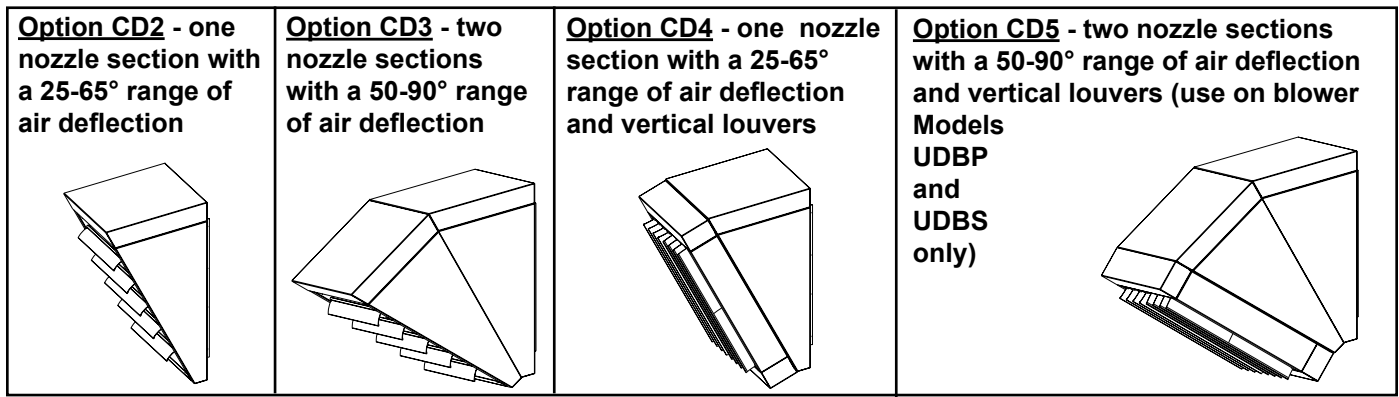
CODE 142 - Vertical Louvers (Same as Option CD1) - UDAP/UDAS/UDBP/UDBS



Install and adjust vertical louvers to achieve desired airflow pattern.

Size	30, 45	60, 75	100, 125	150, 175, 200	225, 250	300, 350, 400
Option Pkg P/N	197097	197098	197099	201199	201200	201201
<i>Components</i>						
Louver Frame Top and Bottom	(2) 197056			(2) 197189		(2) 197190
Louver Frame Sides	(2)197057	(2)197058	(2)197059	(2)197186	(2)197187	(2)197188
Screws	(20) 195638, #8-18 x 3/8" long, AB point, slotted indented serrated hex washer head					
Louvers	(5)196232	(5)196231	(5)196233	(8)196572	(8)196573	(8)195315
Compression Springs	(5)195046	(5)195046	(5)195046	(8)195046	(8)195046	(8)195046

CODE 143 - Downturn Nozzles (Same as Options CD2, CD3, CD4, CD5)



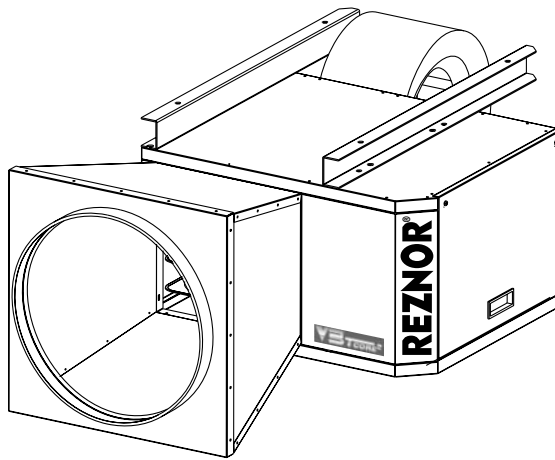
Size	30, 45	60, 75	100, 125	150, 175, 200	225, 250	300, 350, 400
Option CD2 Pkg P/N	197103	197104	197105	201202	201203	201204
Nozzle Section Right Side	(1) 196990	(1) 196991	(1) 196992	(1) 197173	(1) 197174	(1) 197175
Nozzle Section Left Side	(1) 196993	(1) 196994	(1) 196995	(1) 197176	(1) 197177	(1) 197178
Nozzle Section Top	(1) 196987	(1) 196988	(1) 196989	(1) 197170	(1) 197171	(1) 197172
Nozzle Bracket	--	--	--	(2) 201708		(2) 201709
Nozzle Section Bottom		(1) 196996		(1) 196997		(1) 197179
Screws, #8-18 x 3/8" long AB point, slotted indented serrated hex washer head		(14) 195638			(16) 195638	
Option CD4 Pkg P/N	197114	197115	197116	201208	201209	201210
Same components as Option CD2 above PLUS						
Vertical Louver	(5) 196232	(5) 196231	(5) 196233	(8) 196572	(8) 196573	(8) 195315
Compression Spring	(5) 195046	(5) 195046	(5) 195046	(8) 195046	(8) 195046	(8) 195046
Louver Top and Bottom Support		(2) 197056		(2) 197189		(2) 197190
Louver Frame Side	(2) 197057	(2) 197058	(2) 197059	(2) 197186	(2) 197187	(2) 197188
Screws	(20) 195638, #8-18 x 3/8" long AB point, slotted indented serrated hex washer head					
Option CD3 Pkg P/N	197111	197112	197113	201205	201206	201207
Nozzle Section Right Side	(2) 196990	(2) 196991	(2) 196992	(2) 197173	(2) 197174	(2) 197175
Nozzle Section Left Side	(2) 196993	(2) 196994	(2) 196995	(2) 197176	(2) 197177	(2) 197178
Nozzle Section Top	(2) 196987	(2) 196988	(2) 196989	(2) 197170	(2) 197171	(2) 197172
Nozzle Bracket	--	--	--	(2) 201708		(2) 201709
Nozzle Section Bottom		(2) 196996		(2) 196997		(2) 197179
Screws, #8-18 x 3/8" long AB point, slotted indented serrated hex washer head		(28) 195638			(30) 195638	
Option CD5 Pkg P/N	202094	202095	202096	202097	202098	202099
Same components as Option CD3 above PLUS						
Vertical Louver	(5) 196232	(5) 196231	(5) 196233	(8) 196572	(8) 196573	(8) 195315
Compression Spring				(8) 195046		
Louver Top and Bottom Support		(2) 197056		(2) 197189		(2) 197190
Louver Frame Side	(2) 197057	(2) 197058	(2) 197059	(2) 197186	(2) 197187	(2) 197188
Screws	(22) 195638, #8-18 x 3/8" long AB point, slotted indented serrated hex washer head					

CODE 144 - Duct Flange, Models UDBP and UDBS (Same as Option CD9)

Model UDBP and UDBS	30, 45	60, 75	100, 125	150, 175, 200	225, 250	300, 350, 400
Option Pkg P/N	202909	202910	202911	202912	202913	202914
Components (qty in parenthesis):						
Duct Flange Section (Side & Top / Side & Bottom)	(2) 201750	(2) 201751	(2) 201752	(2) 201813	(2) 201814	(2) 201815
Sheetmetal Screws, #10 x 1/2"	(16) 11813	(14) 11813	(16) 11813	(18) 11813		

Accessories/Options (cont'd)

**CODE 145 - Polytube Adapter,
Models UDBP and UDBS Sizes
75-400 (Same as Option CD11)**



Model UDBP and UDBS	75	100, 125	150, 175, 200	225, 250	300, 350, 400
Option Pkg P/N	203086	203087	203088	203089	203090
Components:					
Adapter Top/Bottom	(2) 202962	(2) 202964	(2) 202966	(2) 202968	(2) 202970
Adapter Side	(2) 202961	(2) 202963	(2) 202965	(2) 202967	(2) 202969
Discharge Panel Assy	101249		101250		
Discharge Duct Collar Clamp	101499		146463		
Sheetmetal Screws, #10 x 1/2" long	(52) 11813				
Sheetmetal Screw, #10 x 3/4" long	20859		--		
1/4-20 x 1-1/2" long Hex Head Screw	--		51231		
1/4-20 Hex Nuts	--		7328		
1/4-20 Wing Nut	--		107246		

CODES 146 and 147 - Guards for Models UDBP and UDBS (Same as Option CD10 and CD12)



**CODE 146,
Blower Inlet
Guard in CD10
and CD12**



**CODE 147, Belt
Guard in
Option CD10**

Option CD12 for UDBP and UDBS 30-125	Qty	P/N
Option Pkg P/N		114548
Blower Inlet Guard	1	102474
Screws, #10-16 x 1/2" lg	4	37661

Option CD10, Belt & Blower Guards	150-200		225-400	
Option Pkg P/N	202316		202317	
Components:	Qty	P/N	Qty	P/N
Blower Inlet Guard	1	203079	1	102475
Belt Guard	1	193797	1	193795
Green Wire Assembly	1	202939	1	202939
Screws, #10-16 x 1/2" lg (4 for attaching blower inlet guard; 3 for attaching belt guard; and 1 for attaching ground wire to blower)	8	37661	8	37661

CODE 148 - Hanger Kits (Same as Options CK8 and CK10)

Option CK8 - Two-point Suspension



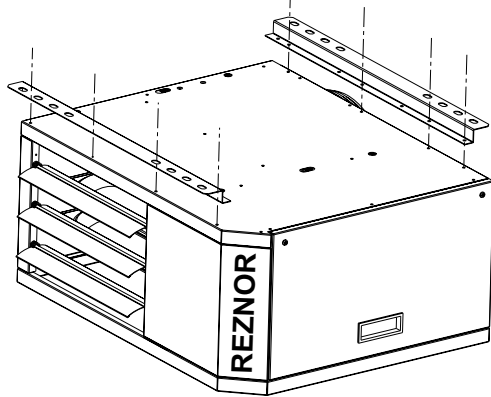
Option CK10 - Four-point Suspension



Size	All
Option CK8 Pkg P/N	98509
Swivel Connector Assembly	(2) 17627
3/8" Lock Washer	(2) 5197
Option CK10 Pkg P/N	98511
Swivel Connector Assembly	(4) 17627
3/8" Lock Washer	(8) 5197
3/8" Hex Nuts	(4) 1438

CODE 150 - Ceiling Suspension Kit for Model UDAP and UDAS Sizes 30-125 (Same as Option CK22)

Models UDAP & UDAS	30, 45, 60, 75, 100, 125
Option CK22 Pkg P/N	197094
Suspension Angle	(2) 195496
Sheetmetal Screw	(1) 195638



Attach ceiling brackets to top, across front and rear of the heater. Use cabinet screws and screw from kit.

Applies only to Models UDAP and UDAS, Sizes 30-125

CODE 151 - Manual Shutoff Valve (Same as Option CE1)



Description	30, 45, 60, 75, 100, 125, 150, 175, 200	225, 250, 300, 350, 400
Option Pkg P/N	15971	15972
Manual Shutoff Ball Valve	196910, 1/2"	196911, 3/4"
Union	1224, 1/2"	1101, 3/4"

Thermostats and Thermostat Accessories

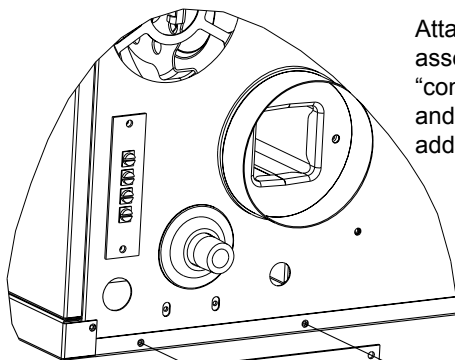
CODE 160, Single-Stage Thermostat, 24 volt, fan switch, P/N 255350 (Same as Option CL1)



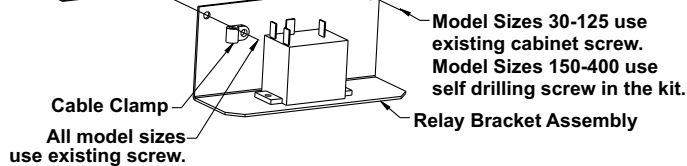
CODE 161, Two-Stage Thermostat, 24 volt, fan switch, P/N 220630 (Same as Option CL22)



CODE 162, Kits for Control of 2-6 Heaters



Attach the relay assembly to the "control" unit and up to five additional units.



Pkg P/N 197155 for One "Control" Heater and One Additional Heater (Same as Option CL31)

Qty	P/N	Description
1	194808	Transformer 40VA (for the "control" unit)
2	197157	Relay Assemblies each consisting of one P/N 98118, RBM Relay (WR #134-20102-101), wired and mounted on a specially designed bracket.
2	195249	Self drilling screw for attaching relay bracket
2	16228	Cable Clamp 3/16"
1	197160	Wiring Harness Assembly (brown wires)
2	197164	Wiring Diagram Label

Pkg P/N 197156 for Each Additional (4 maximum) "non-controlling" Heater (Same as Option CL32)

Qty	P/N	Description
1	197157	Relay Assemblies each consisting of one P/N 98118, RBM Relay (WR #134-20102-101), wired and mounted on a specially designed bracket.
1	195249	Self drilling screw for attaching relay bracket
1	16228	Cable Clamp 3/16"
1	197164	Wiring Diagram Label

(800) 695-1901
www.RezSpec.com

©2011 Thomas & Betts, All rights reserved.

Trademark Note: Reznor®, TCORE2®, and V3® are registered in at least the United States.
All other trademarks are the property of their respective owners.

01/11 Form P-UD (Version C.2)