



Central Ventilation Product Catalog (IAQ)

HVAC Channel - U.S.A.

ENERGY STAR® NEW HIGHER STANDARDS
VENMAR TAKES THE LEAD!



HRV SOLO 1.5 ES

HRV SOLO 2.0 ES

CONSTRUCTO 1.0

CONSTRUCTO 1.5 V

CONSTRUCTO 1.5 ES

CONSTRUCTO 2.0 ES

KUBIX HRV PLUS

EKO 1.5

DISTRIBUTORS

ONLY

**Toll-Free
Phone Number
1-800-649-0372**

CONFIDENTIAL

Order Desk
Press 2

Technical Information
Press 3

Return goods authorization
Press 4

**Toll-Free
Fax Number
1-800-567-1715**

CONSUMERS

**Toll-Free
Phone Number
1-800-567-3855**

Website

www.venmar.ca

TABLE OF CONTENTS

Terms and Conditions of Sale 4

**Ventilation: A vital system
for a healthy home..... 6**

RESIDENTIAL VENTILATION SYSTEMS

Kubix™ Series 8
Kubix HRV, HRV Plus and ERV8

EKO™ Series 9
HRV and ERV EKO 1.5.....9

Constructo® Series 10
Air Exchanger 4100010
Constructo 1.0 HRV10
Constructo 1.0 ERV10
Constructo 1.5ES and 2.0ES10
Constructo 1.5V11

Solo® Series 12
Solo 1.5ES and 2.0ES12

Duo® Series 12
Duo 1.5 and 2.012

High Efficiency Series 13
HE 1.8 and 2.6.....13

HEPA Series 14
HEPA 310014
HEPA 410014

Accessories for HEPA units 14

Wall Controls 14
HEPA Wall Controls.....14
Main Wall Controls15
Optional Controls15

Installation Accessories 15
Air Flow Balancing Kits15
Whisper Registers16
Exterior Vents16
Electric Duct Heaters16
Insulated and Non-insulated
Flexible Tubing16
Grilles and Plastic Registers17
Transitions17
Air control dampers17

3D DRAWINGS AND SERVICE PARTS RESIDENTIAL UNITS

HRV Constructo® 1.5ES/2.0ES		
ERV Constructo® 2.0ES		
HRV Solo® 1.5ES/2.0ES	18	
3D Drawing	18	
Service Parts	19	
ERV Duo® 1.5/2.0	20	
3D Drawing	20	
Service Parts	21	
Kubix™	22	
3D Drawing	22	
Service Parts	23	
Kubix™ HRV Plus and ERV	24	
3D Drawing	24	
Service Parts	25	
Constructo® 1.0 Series	26	
3D Drawing	26	
Service Parts	27	
Constructo® Quattro	28	
3D Drawing	28	
Service Parts	29	
AVS Solo® 1.5 and 2.0, Duo® 1.2, 1.4 and 1.9 and Constructo® 1.5 and 2.0,		
Serial Number 9R and 9S	30	
3D Drawing	30	
Service Parts	31	
Constructo® 1.5 and 2.0,		
Serial Number CR and CS	32	
3D Drawing	32	
Service Parts	33	
Constructo® 1.5V, EKO® HRV 1.5 and ERV 1.5	34	
3D Drawing	34	
Service Parts	35	
3055 Compact, 5585 Compact and HE 1.3		36
3D Drawing	36	
Service Parts	37	
HE 1.8 serial number 9E00... and up		
HE 2.6 serial number 9F00... and up		38
3D Drawing	38	
Service Parts	39	
HEPA		40
3D Drawing	40	
Service Parts	41	
OTHER SERVICE PARTS - EXISTING AND DISCONTINUED UNITS		
Enerflo		42
FAE125 and FAE125M		42
Filters		42
Cores		43
Motors		43
Wheels		43
Defrost parts		43
Doors		44
Timer / Capacitor / Relays		44
Installation accessories		44
Others (current units)		44

GENERAL TERMS AND CONDITIONS OF SALE

ALL ORDERS ACCEPTED SHALL BE SUBJECT TO THE FOLLOWING CONDITIONS:

1. BUYER'S ASSENT TO THESE TERMS AND CONDITIONS. (a) Seller hereby objects to and rejects any and all different or additional terms or conditions contained in any order submitted to Seller by or on behalf of Buyer unless specifically agreed to in a writing signed by an officer of Seller. Under no other circumstances are any such different or additional terms to be considered a part of this Agreement. (b) No representative or agent of Seller has any authority to make any different or additional representations or warranties on behalf of Seller. (c) All contracts or orders are subject to acceptance and approval by the Seller at its main office.

2. PRICES & PAYMENT TERMS. Prices for the goods described herein (the "Goods") shall be as in effect at the time of shipment. The price is payable net thirty (30) days. Interest shall be paid on demand on past due amounts at the rate of [two percent (2%) per month] or the highest lawful rate, whichever is less.

2.1. ORDER CONFIRMATION, PRICE CHANGE & MINIMUM ORDERS. When your order is placed with Venmar, a "sales acknowledgement" is automatically faxed or emailed to you. This is to make sure that the following information is accurate: shipping address, unit cost, part number and quantities, ship date, shipping terms and your order number. Upon receipt of our "sales acknowledgement", it is your responsibility to inform us immediately of any discrepancy. If no indication of discrepancy is received, your order will be processed as per acknowledgement. Do not hesitate to contact us for any modifications, i.e.: fax number, sales contact, etc. Due to our "just-in-time" production process, Venmar reserves the right to extend the time of delivery according to the quantity ordered. If this modification should occur, the shipping date will be changed accordingly on the "sales acknowledgement". Venmar Ventilation Inc. reserves the right to change prices and specifications without prior notice.

2.2. MINIMUM ORDERS. For any order under \$50 net, \$15 administrative fees will be charged, excluding service parts.
- Prepaid shipment: \$5 000 net (see description of Prepaid at item 3.1).

3. SHIPPING & TRANSPORTATION. (a) The price for the Goods does not include charges for freight, packaging, insurance, or federal, state or municipal taxes, all of which are the responsibility of Buyer. Prices are based on shipping the entire order at one time. (b) All shipping dates are estimates and do not guarantee a particular date of shipment. All schedules shall be subject to any reduction in plant capacity and any unavailability of materials or tooling. SELLER SHALL NOT BE LIABLE FOR ANY LOSSES OR DAMAGES (WHETHER INCIDENTAL, CONSEQUENTIAL OR OTHERWISE) RESULTING FROM ANY DELAYS IN SHIPPING OR DAMAGE OCCURRING DURING SHIPPING. (c) Seller may ship the Goods to Buyer's address as shown on the face hereof (the "Shipping Address") by any commercially reasonable means and may select the carrier and route. Delivery of the Goods by Seller to a carrier at Buyer's plant shall constitute tender of delivery to Buyer for all purposes. All risk of loss with respect to the Goods shall pass to Buyer upon tender of delivery. Seller does not insure Goods against loss or damage in transit. (d) The products covered by this order are subject to an over-run or under-run not exceeding 5% of the quantity specified for any item.

3.1. SHIPMENTS

COLLECT: All merchandise is packaged carefully to avoid damage in transit. The purchaser assumes full responsibility for shipments sent "collect", once the merchandise has been picked up at Venmar by the transport carrier.

PREPAID: Venmar is responsible for all freight claims on prepaid shipments. All damages and / or losses on prepaid shipments must be reported to Venmar within 48 hours after the carrier has delivered the shipment. Upon reception of the merchandise, the customer (receiver) is responsible for counting the number of packages as well as the number of skids. Any irregularity, damage or shortage must be clearly specified on the bill of lading at the time of delivery or Venmar will not be held responsible.

4. BUYER'S RESPONSIBILITY FOR CHOICE AND USE OF GOODS. Buyer acknowledges being fully aware of the inherent limits of performance and use of the Goods and of their maintenance requirements. Buyer has the ultimate responsibility to inform its purchaser(s) or the end-user(s) of the Goods of the aforesaid limits and requirements. Buyer is solely responsible for the choice of the type and model of unit being purchased and seller makes no representations as to suitability for use. Buyer acknowledges that the type and model chosen by the Buyer is based on the following criteria and will be used in a "Building" as defined below:

Building: All structures zoned and/or erected for the act, process or art of human or animal habitation and/or the storage or warehousing of goods.

Residential use: Dwelling, lodging, suite,: Building, or part of a building, intended to act as either the domicile to one or several people which can include general sanitary, food consumption and rest facilities. Buildings of only one room or a group of rooms including those occupied by a tenant or owner; comprise the lodgings, the individual rooms of the motels, hotels, rooming/lodging houses, boarding/half-way/foster homes, dormitories, and suites, as well as the stores and the business establishments constituted by only one room in a dwelling.

Commercial use: Agricultural establishment, commercial establishment for assembly, care, or detention,: Building or part of a building that does not contain a dwelling, situated on land dedicated to agriculture or farming and used primarily to shelter animals, or for the production, the storage or the treatment of agricultural or horticultural products or animal food. Building or part of a building, used for the display or retail of goods, professional or personal services, or commodities. Building, or part of a building used by persons gathering for civic activities, religious or political assembly, tourism, educational/vocational training, recreation or the consumption of food or drink. Building, or part of a building used to shelter persons of impaired physical or psychological states, persons requiring palliative care or medical treatments, or persons for reasons out of their control, cannot escape harm or threat of danger autonomously.

Industrial use : Building, or part of a building, used for the assembly, the manufacture, the creation, the treatment, the repair or the storage of products and combustible materials and that contain fuels that when ignited or exploded in sufficient quantity may constitute a risk of fire.

5. CERTIFICATION OUTSIDE CANADA AND THE UNITED STATES. Buyer hereby acknowledges purchasing Goods that are certified for use in Canada and/or the United States (depending on the certification) and undertakes to ensure that all Goods conform to certification criteria of any other state or country and will assume to the exoneration of Seller the recertification and/or other compliance requirements under the laws of that other state or country.

6. INSPECTION AND ACCEPTANCE; RETURNED GOODS. Buyer at its expense shall inspect the Goods immediately upon receipt at the Shipping Address and, within the following thirty (30) day period, Buyer shall be deemed to have irrevocably accepted the Goods. Goods may not be returned, and will not be accepted for return by Seller, without the prior written approval of Seller. All defective merchandise must be returned within thirty (30) days after its shipment by VENMAR VENTILATION INC. A twenty per cent (20%) handling charge will be made on all authorized and acceptable returned merchandise. There will be no handling charge on merchandise found upon VENMAR VENTILATION INC.'s inspection to be defective or on merchandise shipped by VENMAR VENTILATION INC. in error.

7. **ACT OF GOD; ADJUSTMENTS.** If performance by Seller is delayed or made impracticable or burdensome by any cause beyond Seller's control, including, without limitation, acts of God, fire, flood, explosion, vandalism, sabotage, riot, insurrection, severe weather, curtailment or termination of Seller's regular sources of supplies, inability to obtain or a delay in obtaining licenses, permits, materials or equipment, acts or omission of Buyer, its agents or representatives, shipping delays, strikes or other disputes involving Seller or its subcontractors or suppliers or any existing or future laws or acts of any government or regulatory body, then (i) Seller shall be excused from performance to the extent that and for so long as such performance is delayed or made impracticable or burdensome by such cause, and (ii) Seller may adjust the price of the Goods.

8. **CANCELLATION; STOP WORK.** (a) Orders are non-cancelable and Buyer shall not be relieved from any obligation under this Agreement without the prior written consent of Seller. (b) In the event of Buyer's default hereunder, Seller has the right to immediately cancel this Agreement, stop work, refuse to ship or stop delivery of any Goods, recover any losses or damages incurred by Seller as a result thereof, as well as seek any other remedy provided by law. Buyer's default means (i) Buyer's insolvency or the filing or institution of a proceeding under any bankruptcy, reorganization or similar law, by or against Buyer, (ii) an assignment for the benefit of creditors by Buyer, (iii) the appointment of a receiver, trustee or custodian for any of the property or assets of Buyer, and (iv) Buyer's otherwise being in default of any obligation to Seller hereunder or otherwise. (c) By Submitting an order to Seller, Buyer warrants, represents and covenants that it is solvent now and will be solvent at shipment and agrees to notify Seller immediately in writing upon the occurrence of any of the events set forth in the foregoing Section 7.

9. **LIMITED WARRANTY.** Seller warrants the Goods to be free from defects in materials manufactured by Seller and in Seller's workmanship for a period of one (1) year, unless otherwise specified, after tender of delivery (the "Warranty Period"). THIS LIMITED WARRANTY (a) IS IN LIEU OF, AND SELLER DISCLAIMS AND EXCLUDES, ALL OTHER WARRANTIES, STATUTORY, EXPRESS OR IMPLIED, INCLUDING, WITHOUT LIMITATION, ANY WARRANTY OF MERCHANTABILITY OR FITNESS FOR A PARTICULAR PURPOSE, OR OF CONFORMITY TO MODELS OR SAMPLES; (b) does not apply to any Goods which have been (i) repaired, altered or improperly installed; (ii) subjected to improper use or storage; (iii) used or incorporated with other materials or equipment, after Buyer or anyone using the Goods has or reasonably should have, knowledge or any defect or nonconformance of the Goods; or (iv) manufactured, fabricated or assembled by anyone other than Seller; (c) shall not be effective unless Buyer notifies Seller in writing of any purported defect or nonconformance within thirty (30) days after Buyer discovers or should have reasonably discovered such purported defect or nonconformance; and (d) shall only extend to Buyer and not to any subsequent buyers or users of the Goods. Buyer shall provide Seller access to the Goods as to which Buyer claims a purported defect or nonconformance. Upon request by Seller, Buyer shall, at its own risk and expense, promptly return the Goods in question to Seller's Plant.

10. **BUYER'S REMEDIES.** Sellers liability for any breach of this limited warranty is limited to either (i) repair or replacement of any nonconforming components of the Goods, or (ii) upon return of the nonconforming Goods, return of the amount paid therefore, whichever Seller shall elect. Seller's liability shall in no event be greater than the price of the item and shall not include any labor, shipping or other costs incurred in connection with any such repair, replacement, reinstallation or reshipment. Any nonconforming Goods returned to Seller must be accompanied by proof of purchase and the transportation of the Goods must be prepaid. Any Goods that are repaired or replaced by Seller shall be re-delivered to Buyer F.O.B. Seller's Plant and shall be warranted, subject to the terms hereof, until the expiration of the original Warranty Period. Notwithstanding the foregoing, Seller shall have no warranty obligations unless and until Buyer performs all its obligations hereunder, including payment in full of the purchase price. THE REMEDY SET FORTH IN THIS PARAGRAPH SHALL BE BUYER'S SOLE AND EXCLUSIVE REMEDY AGAINST SELLER AND BUYER WAIVES ALL OTHER REMEDIES AGAINST SELLER.

11. **INDEMNIFICATION.** Buyer shall defend, indemnify and hold harmless Seller and its shareholders, directors, officers, affiliates, predecessors, successors and assigns, from and against any and all claims, actions, causes of action, liabilities, liens, losses and costs (including, without limitation, the costs of litigation and attorneys' fees), relating to the Goods or any device, material or thing to which the Goods are attached or of which the Goods are made a part of within which the Goods are enclosed, regardless or whether Seller may be wholly, concurrently, partially, jointly or solely negligent or otherwise at fault.

12. **LIMITATION OF LIABILITY IN GENERAL.** Except as provided herein, in no event whatsoever shall Seller or any of its shareholders, directors, officers, affiliates, predecessors, successors and assigns, for any loss or damages on any kind, whether direct, incidental, consequential, exemplary, special or otherwise relating in any way to this Agreement or acts of omissions in connection herewith (including, without limitation, the performance or non-performance of this Agreement and the use of or the loss of use of any of the Goods or other property), regardless of whether Seller and/or others may be wholly, concurrently, partially, jointly or solely negligent or otherwise at fault.

13. **TIME LIMITATION ON ACTIONS; WAIVER.** (a) Any action by Buyer relating to this Agreement or the Goods must be commenced not later than one (1) year after tender of delivery of the Goods. If Buyer fails to commence any such action within such one (1) year, the action shall be deemed barred and Seller shall have no liability whatsoever to Buyer. (b) No failure of Seller to require strict performance by Buyer of this Agreement shall waive, affect or diminish any right of Seller to demand strict performance of this Agreement thereafter. The rights and remedies herein reserved to Seller shall be cumulative and in addition to any other rights and remedies provided by law.

14. **SELLER'S RIGHTS IN GOODS SOLD.** All merchandise remains the property of Seller until the purchase price has been fully paid.

15. **COSTS OF COLLECTION.** Should Seller be required to retain attorneys to recover any unpaid amount in capital and/or interest, Buyer will pay as a penalty an amount equal to twenty five per cent (25%) of the amounts there owed as compensation for the fees and disbursements incurred in the recovery, regardless of the actual amounts incurred by Seller.

16. **GOVERNING LAW; CONSENT TO JURISDICTION.** This Agreement shall be deemed to have been made under, and shall be construed and interpreted in accordance with, the substantive laws of Ontario, without regard to any choice of law rules or principles. Buyer hereby submits to the jurisdiction of the courts of the Province of Ontario, and said courts shall have exclusive jurisdiction and venue to adjudicate the rights and obligations of the parties relating in any manner to this Agreement.

17. **SEVERABILITY.** If any provision of this Agreement is held by any court to be invalid or unenforceable, such provision shall be deemed to be modified or deleted, but only to the extent necessary to enable that and the remaining provisions of this Agreement to be valid and enforceable.

18. **NO ASSIGNMENT.** Buyer may not assign any rights or obligations under this Agreement without prior written consent of Seller.

Ventilation: A vital system for a healthy home

All homes require adequate ventilation for the safety of their occupants and to remove excess humidity, airborne pollutants and odors. As homes across the country are built and renovated with energy conservation in mind, they are more air-tight, and the need for balanced mechanical ventilation is even more obvious. Without fresh air, carbon dioxide, odors, dust, airborne pollutants and excess humidity are kept indoors, potentially causing or aggravating problems to occupants' health and comfort, and encouraging mold growth. Clearly, effective ventilation is a vital system in a healthy home. A balanced mechanical ventilation system with heat or energy recovery is an ideal way to meet both building codes and the requirements of many energy efficiency programs such as LEED®, ENERGY STAR® for New Homes, BuiltGreen™, R2000 and many more.

Venmar® AVS: Leading the way in indoor air quality technology

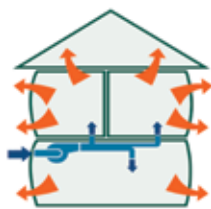
For over 30 years Venmar has redefined ventilation by combining innovative technology, expertise and quality manufacturing to offer the most advanced and extensive lines of heat and energy recovery ventilators available. Our HRVs and ERVs will meet the ventilation requirements of practically all builders, remodelers and homeowners across North America.

Venmar AVS units can be installed with multiple air intake and air exhaust grilles so they can revitalize every corner of a home. They can easily be integrated with the existing forced-air system or be installed independently. Venmar AVS is a symbol of quality: all units are HVI and cUL certified and most are ENERGY STAR® qualified. Venmar has been a member of the Home Ventilating Institute (HVI) since 1991, assuring customers that our products meet strict performance standards. Venmar is also a member of the Heating, Refrigeration and Air Conditioning Institute of Canada (HRAI) who offers leadership and training programs for the advancement of its members' business and promotes a code of ethics for consumer protection and safety.

Before choosing a Venmar AVS air exchanger model there are a few things homeowners and builders must consider, such as the importance of maintaining neutral indoor air pressure and how climate plays a crucial role in determining which type of air exchanger will provide the most benefit to a home indoor air environment.

Equalizing Indoor Air Pressure: A Crucial Balancing Act

It is important not to neglect the impact of an unbalanced ventilation system. If an air exchange unit does not expel and intake equal amounts of air, a negative or positive air pressure imbalance occurs.



Positive air pressure

- Pushes hot and/or humid air into walls and insulation; condensation can lead to mold, mildew and rot
- Heat loss



Negative air pressure

- Infiltration of unconditioned air increases risks of mold and higher energy costs
- Potential backdraft from combustion appliances



Equal air pressure

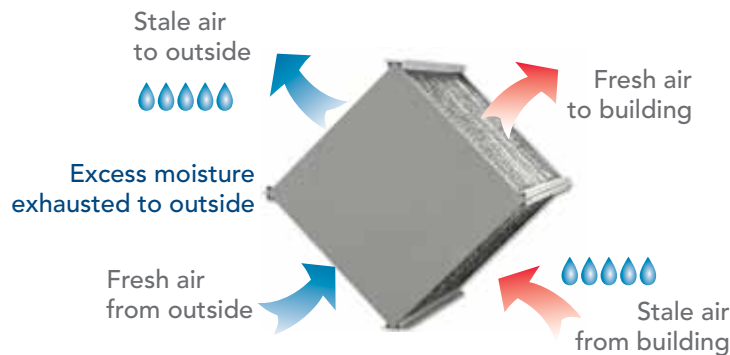
- Supply airflow is equal (CFM) to stale air exhaust
- Balancing is required on all units unless specified otherwise.

Which type of ventilator will respond best to the homeowners' environment? HRV or ERV?

Depending on your home geographical location, you will need to install one of the following categories of air exchanger: A Heat Recovery Ventilator (HRV) or an Energy Recovery Ventilator (ERV).

HRV - Heat Recovery Ventilator - Ideal for colder climates

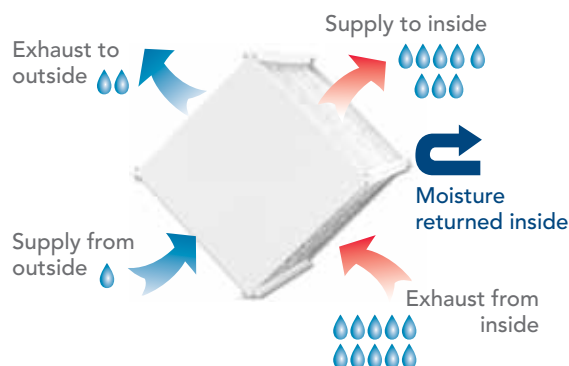
In colder climates, where home heating is essential, the heat recovery ventilator (HRV) is the proper choice. The HRV keeps the home supplied with a steady flow of fresh outdoor air. As stale, warm air is expelled, the heat recovery core warms the incoming fresh, colder air before it is distributed throughout the home. The result is a constant supply of fresh air, no unpleasant drafts and greater home comfort. In addition to heat recovery and improved air quality, the HRV provides necessary ventilation while controlling excess humidity.



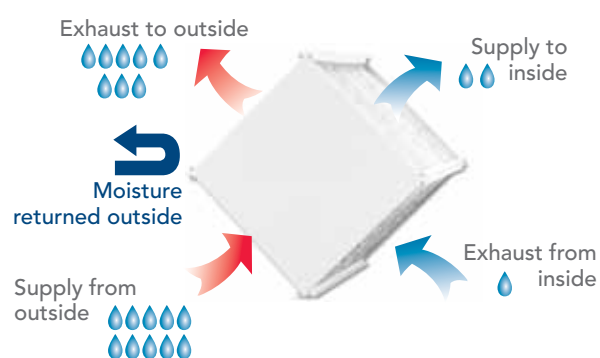
ERV - Energy Recovery Ventilator - Year-round ventilation

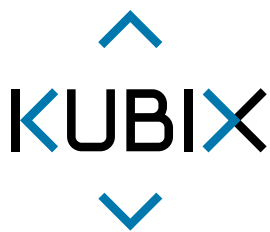
ERVs are suitable for all climates including those with hot, humid summers, where homes are air-conditioned and possibly dehumidified during large parts of the year. As the HRV, the ERV recovers the heat in cold season, however, it also recuperates the energy trapped in moisture, which greatly improves the overall recovery efficiency. The ERV process is as follows: In humid climates and air conditioned homes, when it is more humid outside than inside, the ERV limits the amount of moisture coming into your home. In dry climates and humidified homes, when the humidity level is reversed, the ERV limits the amount of moisture expelled from your home.

Heating Season



Cooling Season





The Ideal Air Exchanger for Small Spaces

Model No. 44113

- Ideal for condos, lofts and small homes
- Our lowest priced HRV and ERV
- Fits almost anywhere such as a closet or above a hot water tank
- Available with horizontal or vertical ports (factory-configured)
- Quick and easy to balance and install with integrated hooks and drain fitting, chain and spring kit included
- Optional wall mount bracket available
- Quiet and efficient blower (patent pending)
- Energy efficient
- Compatible with new Deco-Touch wall control to maximize home comfort
Sold separately (refer to p.15 for more details)
- 2-year warranty on parts; limited lifetime warranty on HRV core and 5-year warranty on ERV core
- Washable core filters

Deco-Touch Wall Control





Model No. 40395



Model No. 44102

Kubix Family Specifications

	Model No.	Port location	Port size	Rate of air flow (cfm)* (low/high)	Power consumption (low speed)	Apparent Sensible Effectiveness at 0°C (low speed)	Dimensions (Height) (Width) (Depth)	Weight (approx.)	Quantity per Skid
HRV	44100**	Top	4" round	35-71	40 W	70%	16 1/4" 15 1/2" 15 5/8"	30 lb. (13.6 kg)	18
HRV Plus	 44102†	Top	4" round	42-73	36 W	77%	16 1/4" 15 1/2" 15 5/8"	30 lb. (13.6 kg)	18
	 44103†	Sides	4" round	42-73	36 W	77%	16 1/4" 15 1/2" 15 5/8"	30 lb. (13.6 kg)	12
ERV	44112	Top	4" round	35-70	35 W	77%	16 1/4" 15 1/2" 15 5/8"	34 lb. (15.4 kg)	18
	44113	Sides	4" round	35-70	35 W	77%	16 1/4" 15 1/2" 15 5/8"	34 lb. (15.4 kg)	12

*CFM at 0.4 in. w.g. (100 Pa)

** Dehumidistat control included with 44100 model.

†This product meets ENERGY STAR® requirements only when used in Canada.

Refer to p.15 for a detailed list of compatible wall controls.
Accessory: Wall mount bracket kit No. 19255 (sold separately)



The most efficient and environmentally-friendly air exchangers



- Ideal for high performance small to mid-size homes
- State-of-the-art ECM motors provide significant electrical consumption savings (67% average compared to standard PSC motors)
- All aspects designed to facilitate air flow balancing and simplify installation
- No drain required for most climate zones (ERV only)
- Upgradable from a heat recovery to an energy recovery ventilator (HRV to ERV) with a simple swap of its core
- 5-year warranty on parts and ERV core; limited lifetime warranty on HRV core
- Washable core filters

Model No. 43911



Model No. 43901

EKO Family Specifications

	Model No.	Port location	Port size	Rate of air flow (cfm)* (low/high)	Power consumption (low speed)	Apparent Sensible Effectiveness at 0°C (low speed)	Dimensions (Height) (Width) (Depth)	Weight (approx.)	Quantity per Skid
EKO 1.5 HRV	 43901†	Top	oval, fit 6" round	40-80 53-106 66-132 80-156	24 W at 49 CFM 32 W at 81 CFM	83%	24 9/16" 23 9/16" 14 15/16"	52 lb. (23.6 kg)	10
EKO 1.5 ERV	 43911†	Top	oval, fit 6" round	40-80 53-105 67-120 84-140	26 W at 53 CFM 37 W at 84 CFM	73%	24 9/16" 23 9/16" 14 15/16"	65 lb. (29.5 kg)	10

* CFM at 0.4 in. w.g. (100 Pa)

†This product meets ENERGY STAR® requirements only when used in Canada. Refer to p.15 for a detailed list of compatible wall controls.

Constructo

ERV - HRV - HORIZONTAL - VERTICAL

*The complete line
of air exchangers:
economical and designed
for new construction*



Model No. EA1500

Air Exchanger

- Ideal for bungalows or small surface areas
- Basic ventilation system, economic and robust, that controls excess humidity
- 2-year warranty on parts
- Mechanical air filtration



Model No. 41500

Constructo 1.0

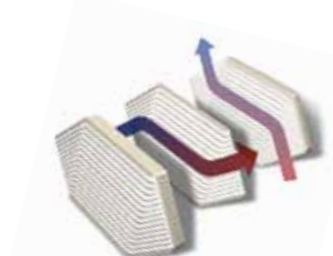
- Ideal choice for new single family small homes, high-rise condos and other limited space applications
- Simple to install in a bulkhead or closet with its unique slim design and compact footprint
- Available with horizontal or vertical ports (factory-configured)
- Upgradable from a heat recovery to an energy recovery ventilator (HRV to ERV) with a simple swap of its core
- 2-year warranty on parts; limited lifetime warranty on HRV core
- Washable foam filters



Model No. 41506

Unique ERV Core (5-year warranty)

Counter cross-flow energy recovery core technology provides the most effective efficiency/volume ratio of all the units of its category.



Model No. 47110

Constructo 1.5ES / 2.0ES

- Ideal for mid to large size homes
- Offer effective heat recovery, standard ventilation features to meet codes and standards and quiet operation at a value-conscious price.
- Quick, effective installation: pressure taps, balancing dampers, integrated "snap-in" drain system and straps for insulated ducts
- Equipped with a heat recovery core (limited lifetime warranty)
- 5-year warranty on parts
- Washable foam filters









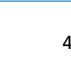
Constructo 1.5V

- Ideal for small to mid-size homes
- Same design as the EKO 1.5 but equipped with 2 PSC motors
- Homeshield™ defrosting system without negative pressure
- Heat recovery core offers greater comfort (limited lifetime warranty)
- 2-year warranty on parts
- Washable core filters



Model No. 43130

Constructo Family Specifications

	Model No.	Port location	Port size	Rate of air flow (cfm)* (low/high)	Power consumption (low speed)	Apparent Sensible Effectiveness at 0°C (low speed)	Dimensions (Height) (Width) (Depth)	Weight (approx.)	Quantity per Skid
A.E.	EA1500	Sides	6" round	30-50	87 W	N/A	12 1/4" 18 1/4" 15 "	40 lb. (18 kg)	24
1.0 HRV	 41500 [†]	Sides	oval, fit 5" round	50-98	43 W	74%	12 3/16" 27 1/16" 19 13/16"	42 lb. (19 kg)	12
	 41502 [†]	Top	oval, fit 5" round	50-98	43 W	74%	14 11/16" 22 9/16" 19 13/16"	42 lb. (19 kg)	10
1.0 ERV	 41504 [†]	Sides	oval, fit 5" round	49-105	42 W	79%	12 3/16" 27 1/16" 19 13/16"	45 lb. (20.4 kg)	12
	 41506 [†]	Top	oval, fit 5" round	49-105	42 W	79%	14 11/16" 22 9/16" 19 13/16"	45 lb. (20.4 kg)	10
1.5ES HRV	 1601702 [†]	Sides	6" round	66-150	67 W	79%	16 1/2" 35" 17 1/8"	65 lb. (29.5 kg)	9
2.0ES HRV	 47110 [†]	Sides	6" round	82-192	71 W	75%	16 1/2" 35" 17 1/8"	67 lb. (30.4 kg)	9
2.0ES ERV	47115	Sides	6" round (15 cm)	80-183	84 W	72%	16 1/2" (42 cm) 35" (89.1 cm) 17 1/8" (43.5 cm)	76 lb (34.5 kg)	9
1.5V HRV	 43130 [†]	Top	oval, fit 6" round	67-157	56 W	78%	24 9/16" 23 9/16" 14 15/16"	52 lb. (23.6 kg)	10

* CFM at 0.4 in. w.g. (100 Pa)

[†]This product meets ENERGY STAR® requirements only when used in Canada. Refer to p.15 for a detailed list of compatible wall controls.

Solo

The Complete Comfort System

Duo

The Year-Round System

Solo 1.5ES/2.0ES & Duo 1.5/2.0

- Ideal for mid to large size homes
- The Solo family offers a complete solution to reduce excess humidity and expel gaseous pollutants
- The Duo family offers the ultimate heat and moisture recovery offered by ERVs
- Very quiet systems
- Totally reversible units to simplify installation





Model No. 46700

Model No. 47700

- Quick, effective installation: pressure taps, balancing dampers and straps for insulated ducts
- Solo are equipped with a heat recovery core (limited lifetime warranty) and Duo with a thermal wheel (5-year warranty). 5-year warranty on parts
- Optimized by the Altitude* wall control, which automatically maximizes home comfort
- Washable foam filters

* Sold separately.

Solo & Duo Family Specifications

	Model No.	Port location	Port size	Rate of air flow (cfm)* (low/high)	Power consumption (low speed)	Apparent Sensible Effectiveness at 0°C (low speed)	Dimensions (Height) (Width) (Depth)	Weight (approx.)	Quantity per Skid
Solo 1.5ES HRV	 46725 †	Sides	6" round	66-150	67 W	79%	16 1/2" 35" 17 1/8"	65 lb. (29.5 kg)	9
Solo 2.0ES HRV	 47720 †	Sides	6" round	82-192	71 W	75%	16 1/2" 35" 17 1/8"	67 lb. (30.4 kg)	9
Duo 1.5 ERV	46700	Sides	6" round	64-120	110 W	80%	16 1/2" 35" 17 1/8"	71 lb. (32.2 kg)	9
Duo 2.0 ERV	47700	Sides	6" round	110-169	137 W	77%	16 1/2" 35" 17 1/8"	73 lb. (33.1 kg)	9

*CFM: at 0.4 in Water Gauge (100 Pa).

†This product meets ENERGY STAR® requirements only when used in Canada.

Refer to p.15 for a detailed list of compatible wall controls.

HE *The High Efficiency System*

HE 1.8/2.6

- Ideal for mid to large size homes
- Ultimate heat recovery performance and air flow up to 320 CFM
- SilentSure™ quiet operation
- For consumers living in cold climates who seek superior heat recovery performance compared to all other HRV systems on the market
- Optimized by the Altitude* wall control, which automatically maximizes home comfort
- Optional controls allow you to customize unit for enhanced performance
- 5-year warranty on parts; limited lifetime warranty on core
- Washable foam filters

* Sold separately.



HE Family Specifications

	Model No.	Port location	Port size	Rate of air flow (cfm)* (low/high)	Power consumption (low speed)	Apparent Sensible Effectiveness at 0°C (low speed)	Dimensions (Height) (Width) (Depth)	Weight (approx.)	Quantity per Skid
1.8 HRV	45400	Top	8" inside ports 6" outside ports	115-197	158 W	95%	42 3/4" 23" 24"	140 lb (63.5 kg)	4
2.6 HRV	48400	Top	8" inside ports 6" outside ports	180-321	219 W	86%	42 3/4" 23" 24"	140 lb (63.5 kg)	4

*CFM: at 0.4 in Water Gauge (100 Pa).
Refer to p.15 for a detailed list of compatible wall controls.

HEPA

The ultimate solution for the best Indoor Air Quality



Model No.
HEPA3100

- Air exchanger with heat recovery and HEPA filtration
- Simple and easy installation
- Only one outdoor connection (with the Tandem® transition)

HEPA Family Specifications

Model	Port location	Port size	Rate of air flow (cfm)* (low/high)	Power consumption (low speed)	Apparent Sensible Effectiveness at 0°C (low speed)	Dimensions (Height) (Width) (Depth)	Weight (approx.)	Quantity per Skid
HEPA3100	Top	oval, fit 8" round and 5" to 6" round	70-105	165 W	60% (core only)	29.4" 22.9" 17.8"	53 lb. (24 kg)	8
HEPA4100	Top	oval, fit 8" round and 5" to 6" round	70-105	170 W	67% (core only)	29.4" 22.9" 17.8"	53 lb. (24 kg)	8

*CFM: at 0.4 in Water Gauge (100 Pa).

Accessories for HEPA Units



04803

Part Number	Description	Compatibility
04803	HEPA replacement filter kit (includes 2 pre-filters)	HEPA
04804	PLEATED replacement filter kit (includes 2 pre-filters) MERV 12	HEPA
04852	Washable foam replacement filter kit MERV 8	HEPA
05123	Package of 2 pre-filters for HEPA and PLEATED filters	HEPA
05120	Package of 2 washable foam filters for recovery core	HEPA3100
05689	Package of 2 washable foam filters for recovery core	HEPA4100

Wall Controls



40350



40390

40370

Main Wall Controls

Part Number	Model	Compatibility
40350	Constructo (OFF, low/high exchange speed, dehumidistat)	All Constructo models Solo 1.5ES/2.0ES, Duo 1.5/2.0, Kubix HRV Plus and ERV
40370	Lite-Touch Constructo (OFF, low/high exchange speed, intermittent 20 min./hr)	All Constructo models Solo 1.5ES/2.0ES, Duo 1.5/2.0, Kubix HRV Plus and ERV
40390	Simple-Touch Constructo (OFF, low/high exchange speed, recirculation)	Constructo 1.0, Solo 1.5ES/2.0ES, Duo 1.5/2.0, Kubix HRV Plus and ERV

Wall Controls

Main Wall Controls

Part Number	Model	Compatibility
40440	Altitude (Programmable, SMART mode, LCD display)	Constructo 1.0 (August 2008 and later), EKO, Solo, Duo, HE, Kubix HRV Plus & Kubix ERV
40395	Deco-Touch (OFF, min/max exchange speed, intermittent 20 min./hr, recirculation, dehumidistat override)	Constructo 1.0 models (August 2008 and later), Constructo 1.5ES/2.0ES (no recirculation), Constructo 1.5 V (November 2012 and later, no recirculation) EKO, Solo, Duo, HE, Kubix HRV Plus and ERV
04391	C34 wall control	EA1500
40415	Electronic, automatic and programmable wall control	HEPA 3100, HEPA 4100, HEPA 3000, HEPA 4000



Optional Controls

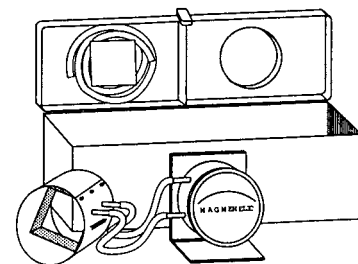
Part Number	Model	Compatibility
00910	60-minute mechanical timer	All models
11297	Dehumidistat 24 V / 120 V	All models
12030	20-minute lighted push button	All models
03364	20/40/60-minute lighted push button	EKO, Solo, Duo and HE models



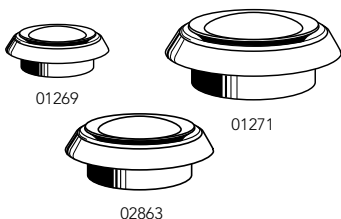
Installation Accessories

Air Flow Balancing Kits

Part Number	Description
11988	Complete balancing kit in a tool box, (0 - 0.50 inch water Magnehelic gauge, 2-6" flow meters, hoses, instructions)
01104	PVC hose 5/16" OD x 3/16" ID
12228	0 - 0.50 inch water Magnehelic gauge manometer with 2-3' hoses
16015	Flowmeter 5" Ø
11001	Flowmeter 6" Ø
11247	Flowmeter 7" Ø
11246	Flowmeter 8" Ø
18222	Complete balancing kit in a tool box, (2 Magnehelic gauges: 0 - 0.50 inch water and 0-1.0 inch water, hoses, instructions)
18223	Magnehelic gauge manometer 1.0 inch water gauge

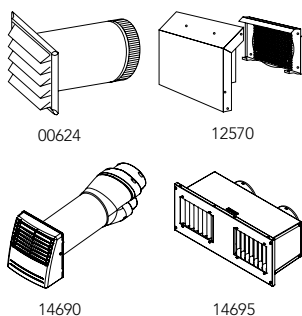


Installation Accessories



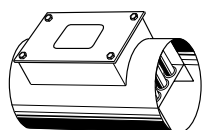
Whisper Registers

Part Number	Description
01269	Whisper register 4" (sold in packs of 25)
02863	Whisper register 5" (sold in packs of 25)
01271	Whisper register 6" (sold in packs of 25)
03585	White register 8"



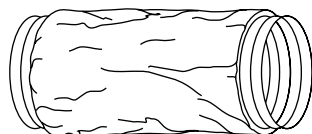
Exterior Vents

Part Number	Description
00624	6" x 12" Plastic hood
12570	6" Anti-gust intake hood
14690	Condensed kit (Y-Tandem, complete exterior vent, screws) for HEPA 3100, HEPA 4100 and Constructo 1.0 only
14695	Simplified metal installation kit (tandem) for 100 CFM maximum units
13940	Additional exterior vent (including back plate)
04321	Tandem® dual exterior port
1607100	IN2000 hood kit (each kit contains two 6" hood with double ring collars)
04318	Back plate for dual and single exterior port
04320	Single additional exterior port (without back plate)

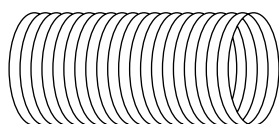


Electric Duct Heaters

Part Number	Description
02120	2000 W, 220 V, 6" Ø (adjustable temperature from 0°C to 40°C)
1604103	EDH 6.1 (6" Ø 1 KW, single stage internal adjustable thermostat, 120 VAC)



Insulated flexible tubing



Non-insulated flexible tubing

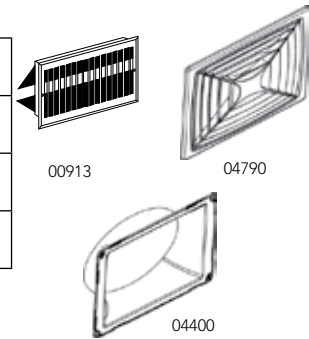
Insulated and Non-insulated Flexible Tubing

INSULATED Part Number	NON-INSULATED Part Number	Dimensions
04399	05247	8" Ø x 30'
	04396	8" Ø x 45'
04316		5" Ø x 20'

Installation Accessories

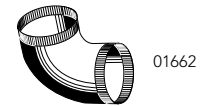
Grilles and Plastic Registers

Part Number	Description
00913	White register with damper 4" x 10"
04790	White interior grille 8" x 12"
04400	8" Adaptor for interior grille (for part number 04790)



Transitions

Part Number	Description
05261	T pipe 8" x 8" x 8"
01662	90° 4" Elbow
04319	Y Tandem® insulated transition



Air control dampers

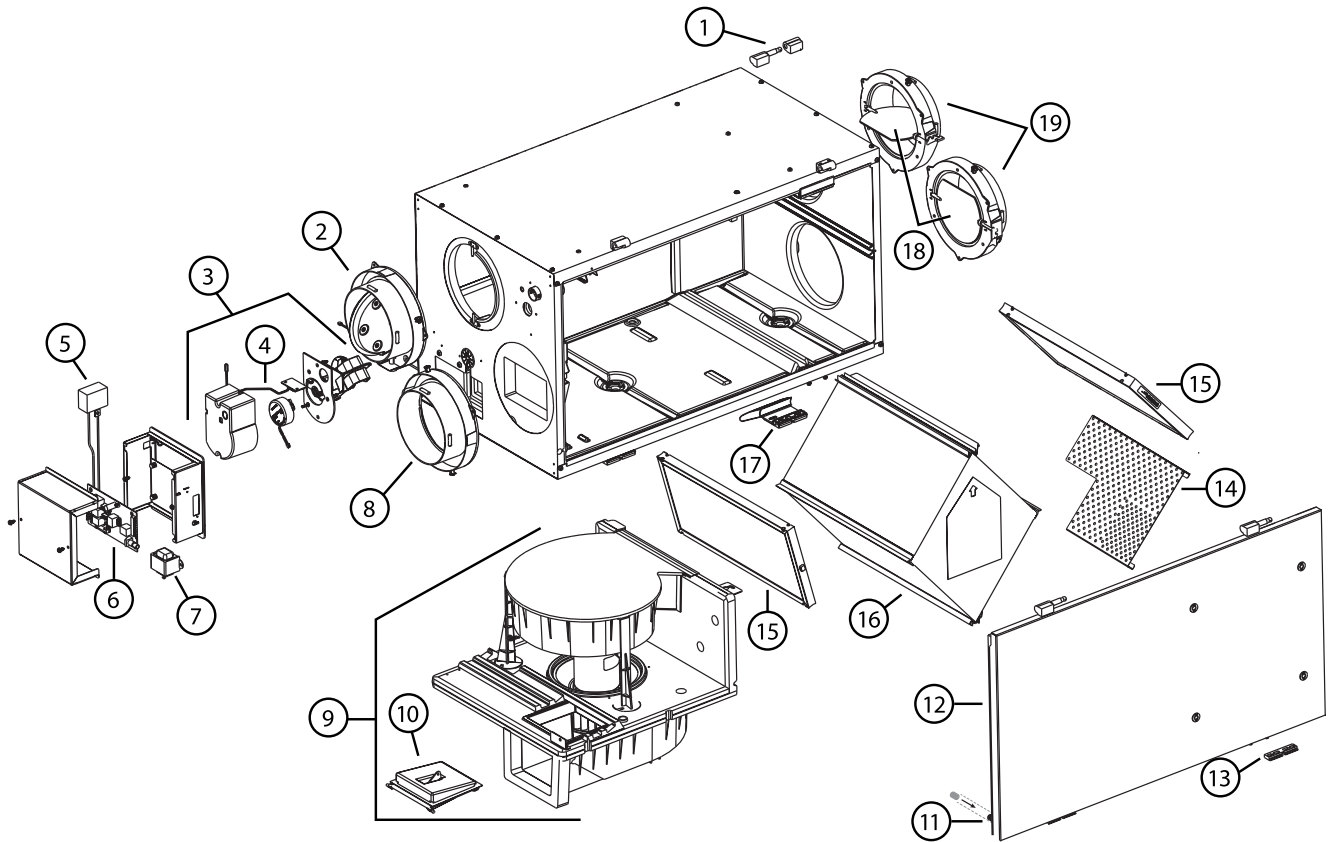
Part Number	Description
1603104	ACD 6" 24 VAC
1603106	ACD 7" 24 VAC
1603109	ACD 8" 24 VAC

NOTE: All air control dampers are supplied in the normally open (NO) position but can be easily converted to normally closed (NC) position.

HRV Constructo® 1.5ES/2.0ES

ERV Constructo® 2.0ES

HRV Solo® 1.5ES/2.0ES



HRV Constructo® 1.5ES/2.0ES

ERV Constructo® 2.0ES

HRV Solo® 1.5ES/2.0ES

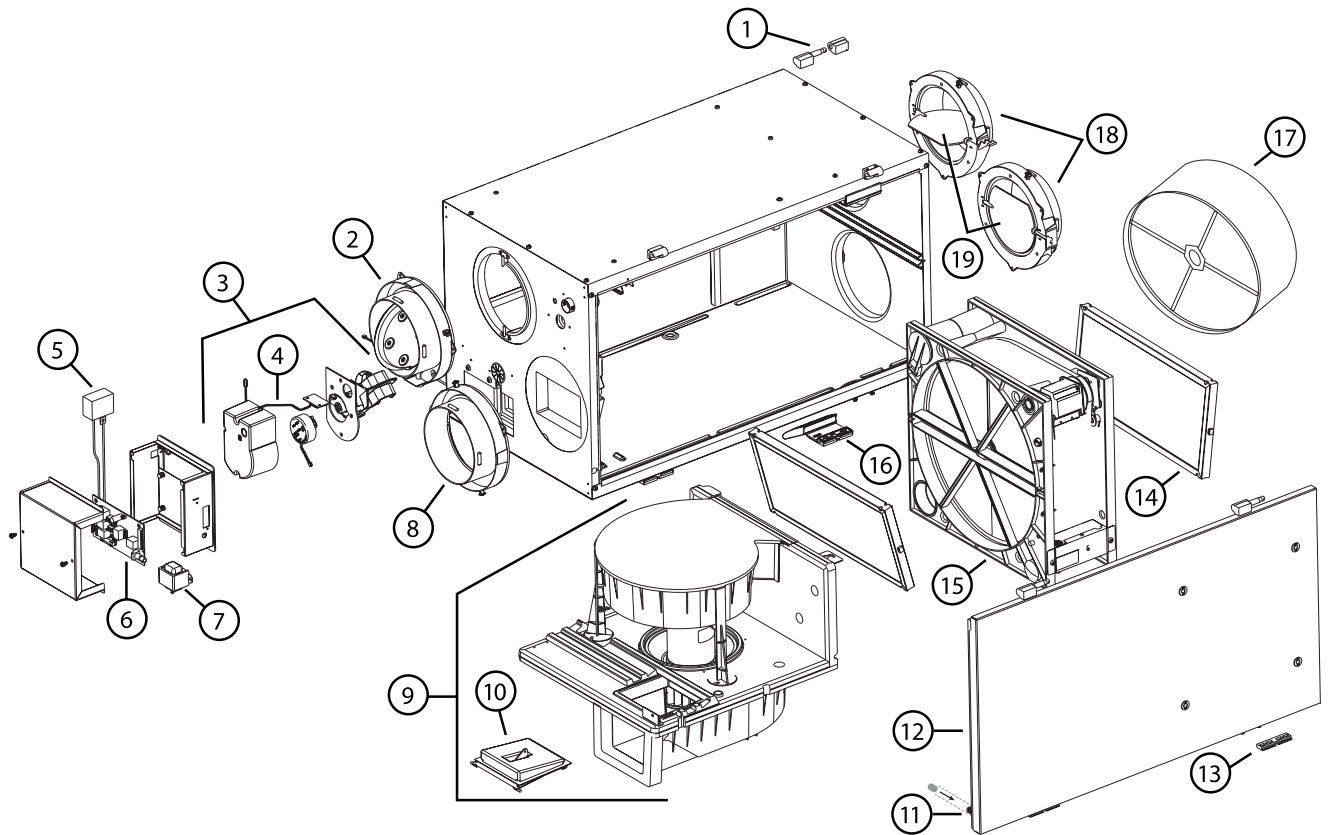
Service Parts

No.	Description	HRV CONSTRUCTO 1.5ES (1601702)	HRV CONSTRUCTO 2.0ES (47110)	ERV CONSTRUCTO 2.0ES (47115)	HRV SOLO 1.5ES (46725)	HRV SOLO 2.0ES (47720)
1	Hinge assembly kit	13036	13036	13036	13036	13036
2	Damper supply port assembly	17245	17245	17245	17245	17245
3	Damper system actuator (including no. 4)	17235	17235	17235	17235	17235
4	Thermistor kit	17242	17242	17242	17242	17242
5	Capacitor 7.5 µF	17240	17240	17240	17240	17240
6	Electronic board	60809	60809	60812	60810	60810
7	Transformer	17244	17244	17244	17244	17244
8	Double collar port	60818	60818	60818	60818	60818
9	Blower assembly (including nos. 5 and 10)	60804			60804	
			60805			60805
				60806		
10	Square damper kit	17243	17243	17243	17243	17243
11	Magnet switch	19060	19060	19060	19060	19060
12	Door assembly (including hinges and latches)	60797	60797		60797	60797
				60798		
13	Door latch (2 required)	00887	00887	00887	00887	00887
14	Diffuser	60822	60822	-	60822	60822
15	Filter kit	60800	60800		60800	60800
				60799		
16	Core	60801			60801	
			60803			60803
				16582		
17	Door latch (2 required)	05960	05960	05960	05960	05960
18	Balancing damper	02253	02253	02253	02253	02253
19	Balancing double collar port	02256	02256	02256	02256	02256
20*	Terminal connector	16416	16416	16416	16416	16416
21*	Hardware kit	20510	20510			
				20606		
					20606	20606

* Not shown.

NOTE : In order to ensure your ventilation unit remains in good working condition, you must use Venmar Ventilation Inc. genuine replacement parts only. Venmar Ventilation Inc. genuine replacement parts are specially designed for each unit and are manufactured to comply with all the applicable certification standards and maintain a high standard of safety. Any third party replacement part used may cause serious damage and drastically reduce the performance level of your unit, which will result in premature failing. Venmar Ventilation Inc. also recommends to contact a Venmar certified service depot for all replacement parts and repairs.

ERV Duo® 1.5/2.0



ERV Duo® 1.5/2.0

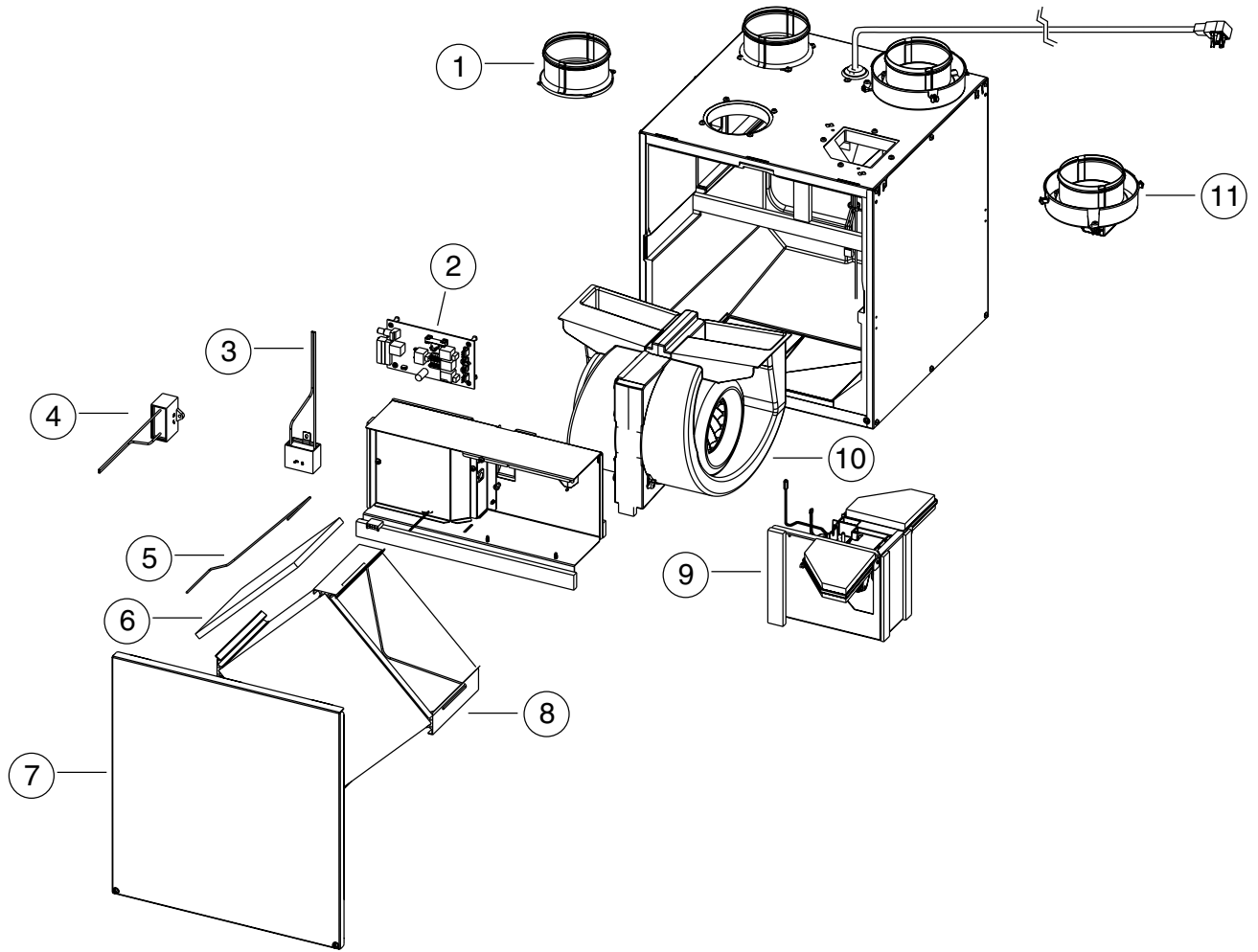
Service Parts

No.	Description	ERV DUO 1.5 (46700)	ERV DUO 2.0 (47700)
1	Hinge assembly kit	13036	13036
2	Damper supply port assembly	17245	17245
3	Damper system actuator (including no. 4 thermistor kit)	17235	17235
4	Thermistor kit	17242	17242
5	Capacitor 7.5 µF	17240	17240
6	Electronic board	60811	60811
7	Transformer	17244	17244
8	Double collar port	60818	60818
9	Blower assembly (including nos. 5 and 10 square damper kit)	60807	
			60808
10	Square damper kit	17243	17243
11	Magnet switch	19060	19060
12	Door assembly (including hinges and latches)	60797	60797
13	Door latch (2 required)	00887	00887
14	Filter kit	60799	60799
15	14" cassette (for media only, see no. 17)	60821	60821
16	Door latch (2 required)	05960	05960
17	Media (14" wheel)	15186	15186
18	Balancing double collar port	02256	02256
19	Balancing damper	02253	02253
20*	Terminal connector	16416	16416
21*	Hardware kit	20498	20498

* Not shown.

NOTE : In order to ensure your ventilation unit remains in good working condition, you must use Venmar Ventilation Inc. genuine replacement parts only. Venmar Ventilation Inc. genuine replacement parts are specially designed for each unit and are manufactured to comply with all the applicable certification standards and maintain a high standard of safety. Any third party replacement part used may cause serious damage and drastically reduce the performance level of your unit, which will result in premature failing. Venmar Ventilation Inc. also recommends to contact a Venmar certified service depot for all replacement parts and repairs.

Kubix™ HRV



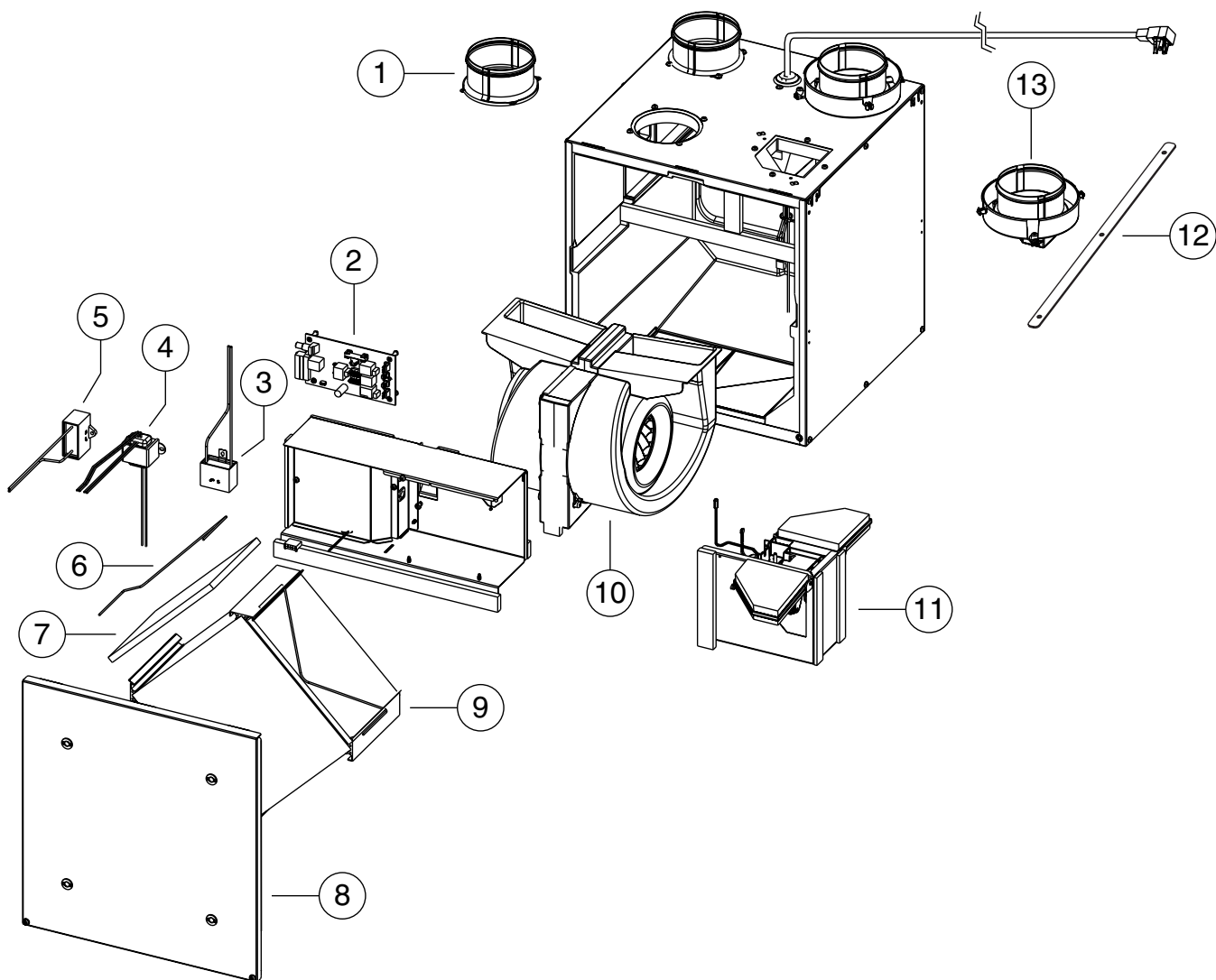
Kubix™ HRV

Service Parts

No.	Part Number	Description
1	18854	4" round metal port (2 required)
2	19205	Electronic Board
3	16042	Capacitor 5 µF
4	19210	Capacitor 13 µF
5	19208	Filter retaining wire (2 included)
6	18883	Core filters (2 included)
7	19202	Door assembly
8	18884	Heat recovery core
9	18882	Damper system assembly (damper motor included)
10	18867	Blower assembly
11	18866	4" port with plastic collar (2 required)
12	19214	Hardware kit (not shown)

NOTE : In order to ensure your ventilation unit remains in good working condition, you must use Venmar Ventilation Inc. genuine replacement parts only. Venmar Ventilation Inc. genuine replacement parts are specially designed for each unit and are manufactured to comply with all the applicable certification standards and maintain a high standard of safety. Any third party replacement part used may cause serious damage and drastically reduce the performance level of your unit, which will result in premature failing. Venmar Ventilation Inc. also recommends to contact a Venmar certified service depot for all replacement parts and repairs.

Kubix™ HRV Plus and ERV



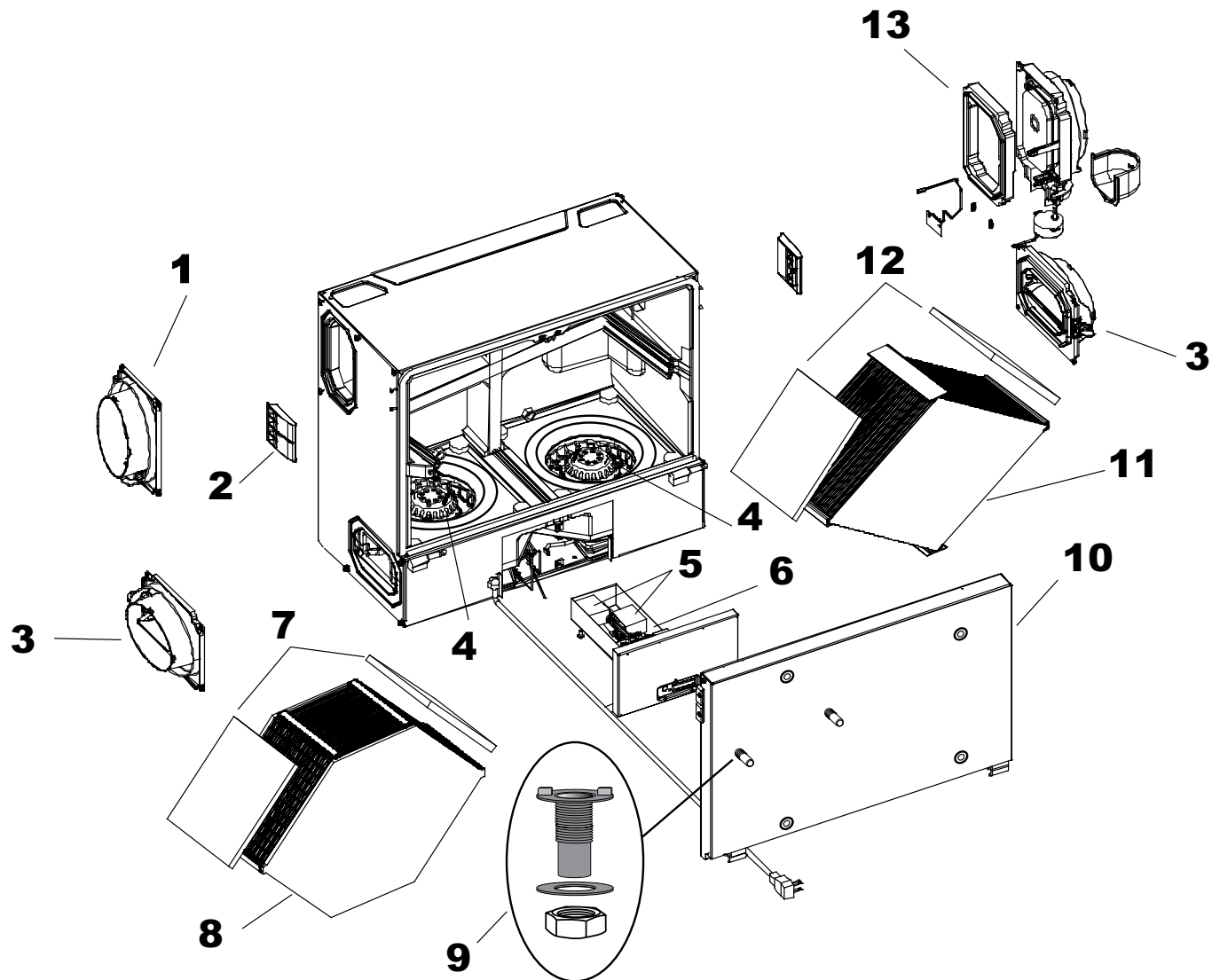
Kubix™ HRV Plus and ERV

Service Parts

No.	Part Number	Description	KUBIX™ HRV Plus (44102)	KUBIX™ HRV Plus (44103)	KUBIX™ ERV (44112)	KUBIX™ ERV (44113)
1	18854	4" round metal port (2 required)	x	x	x	x
2	19206	Electronic Board (HRV)	x	x		
	19207	Electronic Board (ERV)			x	x
3	16042	Capacitor 5 µF	x	x	x	x
4	17244	Transformer	x	x	x	x
5	19211	Capacitor 13 µF	x	x	x	x
6	19208	Filter retaining wire (2 included)	x	x	x	x
7	18883	Core filters (2 included)	x	x	x	x
8	19201	Door assembly	x	x	x	x
9	19199	Heat recovery core	x	x		
	19200	Energy recovery core			x	x
10	18867	Blower assembly	x	x	x	x
11	18868	Vertical ports damper system (damper motor included)	x		x	
	18881	Horizontal ports damper system (damper motor included)		x		x
12	19212	4" port strap (2 required)	x	x	x	x
13	18855	4" double collar port with damper (2 required)	x	x	x	x
14	19213	Hardware kit (not shown)	x	x	x	x
15	16416	PCB connector (not shown)	x	x	x	x

NOTE : In order to ensure your ventilation unit remains in good working condition, you must use Venmar Ventilation Inc. genuine replacement parts only. Venmar Ventilation Inc. genuine replacement parts are specially designed for each unit and are manufactured to comply with all the applicable certification standards and maintain a high standard of safety. Any third party replacement part used may cause serious damage and drastically reduce the performance level of your unit, which will result in premature failing. Venmar Ventilation Inc. also recommends to contact a Venmar certified service depot for all replacement parts and repairs.

Constructo® 1.0



*Be sure to check the capacitor value (as per written on the label) before ordering.

Constructo® 1.0

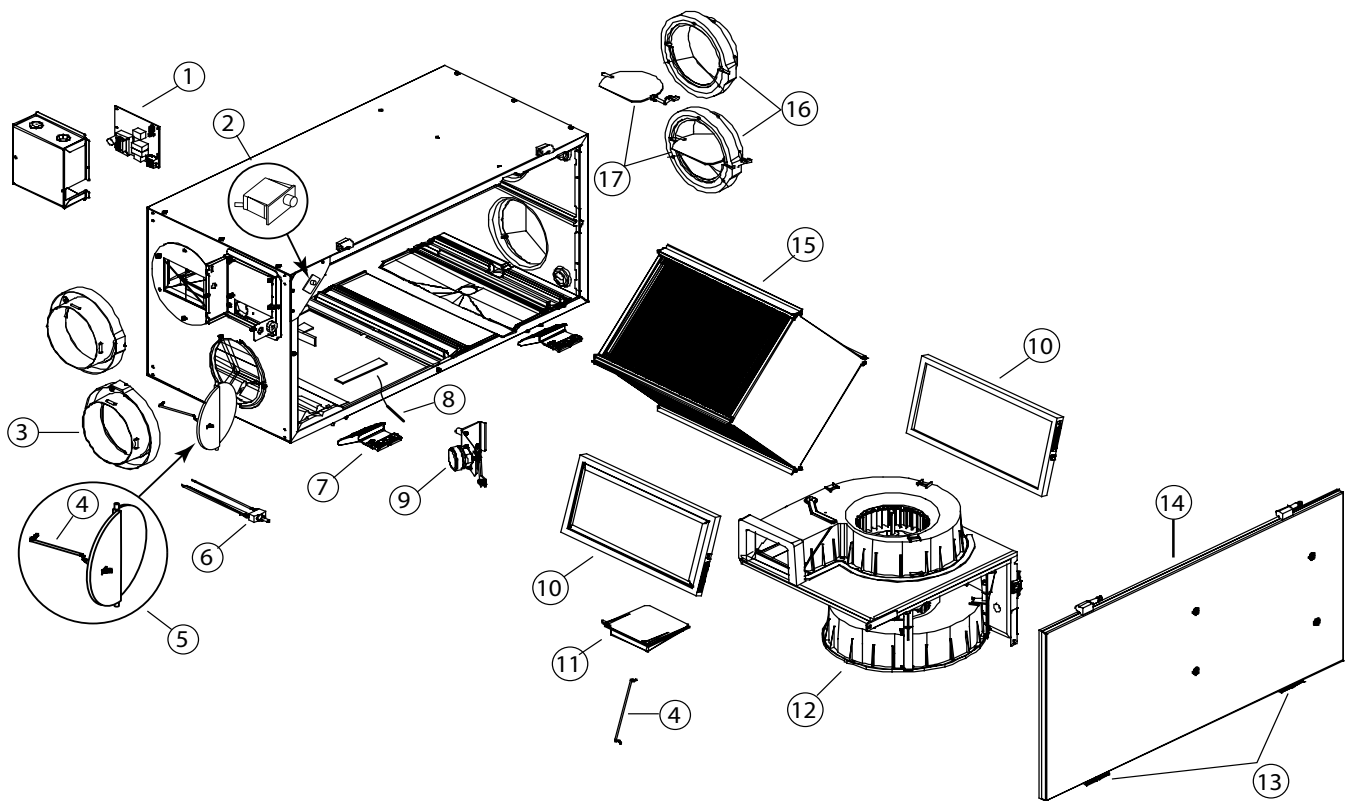
Service Parts

No.	Part Number	Description	Before 2010 units Serial no.: up to A?1409		2010 and above Serial no.: B?0010... and up			
			HRV 41500 - 41502 (AA) (AB)	ERV 41504 - 41506 (AC) (AD)	HRV 41500 - 41502 (BA) (BB)	ERV 41504 - 41506 (BC) (BD)		
1	16040	Oval port	x	x	x		x	
2	16035	Door latches with screws (set of 2)	x	x	x		x	
3	16041	Oval ports with integrated balancing dampers (set of 2)	x	x	x		x	
4	16024	Motor assembly (wheel and capacitor included)	x	x				
	18301	Motor & wheel assembly (5 µF Motor capacitor and inlet ring included)			x		x	
5	16042*	Capacitors 5 µF (set of 2)	x	x	x		x	
	16027*	Capacitors 7.5 µF (set of 2)	x	x				
	17024*	Capacitors 3 µF - (set of 2)	x	x				
6	16038	Electronic circuit	x	x	x		x	
7	16031	Foam filters for ERV core (set of 2)		x			x	
8	16033	ERV core (2 foam filters included)		x			x	
9	03203	Drain connector kit	x		x			
10	16094	Door assembly	x	x	x		x	
11	16034	HRV core (2 foam filters included)	x					
	18300	Blue HRV core (with 2 filters)			x			
12	16032	Foam filters for HRV core (set of 2)	x		x			
13	16029	Motorized damper/port assembly	x	x	x		x	
-	16039	Transformer (not shown)	x	x				
-	18302	ES Transformer			x		x	
-	16416	PCB connector (not shown)	x	x	x		x	
-	06011	Hardware kit for HRV (not shown)	x		x			
-	06046	Hardware kit for ERV (not shown)		x			x	

*Be sure to check the capacitor value (as per written on the label) before ordering.

NOTE : In order to ensure your ventilation unit remains in good working condition, you must use Venmar Ventilation Inc. genuine replacement parts only. Venmar Ventilation Inc. genuine replacement parts are specially designed for each unit and are manufactured to comply with all the applicable certification standards and maintain a high standard of safety. Any third party replacement part used may cause serious damage and drastically reduce the performance level of your unit, which will result in premature failing. Venmar Ventilation Inc. also recommends to contact a Venmar certified service depot for all replacement parts and repairs.

Constructo® Quattro



Constructo® Quattro

Service Parts

No.	Part Number	Description	ERV Constructo Quattro 1.5 43115	ERV Constructo Quattro 2.0 45115
1	16585	Electronic circuit	x	x
2	01825	Door switch (SPST), E69 10A	x	x
3	02257	Double collar port 6" Ø	x	x
4	13037	Damper rod (kit)	x	x
5	12454	Round damper assembly	x	x
6	12664	Switch (OFF / MIN / MAX)	x	x
7	05960	Door latch (2 required)	x	x
8	12895	Thermistor (kit)	x	x
9	13734	Damper actuator assembly	x	x
10	02300	Filters	x	x
11	13033	Rectangular damper assembly	x	x
12	16580	Motor assembly	x	
12	16581	Motor assembly		x
13	00887	Door latch (2 required)	x	x
14	16584	Door assembly (including no. 13)	x	x
15	16582	Energy recovery core	x	x
16	02256	Double balancing collar port	x	x
17	02253	Balancing damper	x	x
18	02323	Hardware kit (not shown)	x	x

Please note that parts not listed are not available.

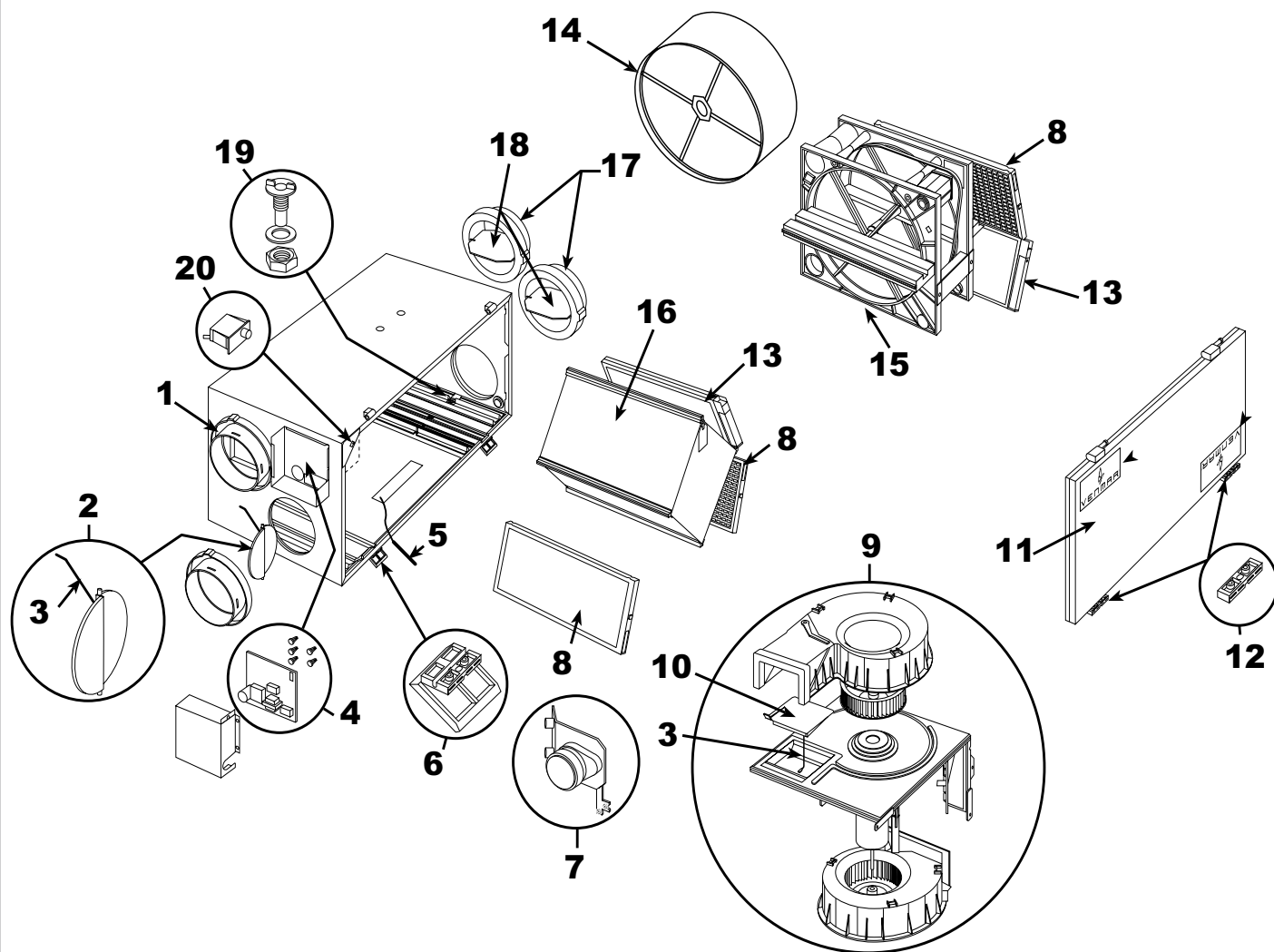
NOTE: In order to ensure your ventilation unit remains in good working condition, you must use Venmar Ventilation Inc. genuine replacement parts only. Venmar Ventilation Inc. genuine replacement parts are specially designed for each unit and are manufactured to comply with all the applicable certification standards and maintain a high standard of safety. Any third party replacement part used may cause serious damage and drastically reduce the performance level of your unit, which will result in premature failing. Venmar Ventilation Inc. also recommends to contact a Venmar certified service depot for all replacement parts and repairs.

3D DRAWINGS AND SERVICE PARTS - RESIDENTIAL UNITS

AVS Solo® 1.5 and 2.0

Duo® 1.2, 1.4 and 1.9

Constructo® 1.5 and 2.0, Serial Numbers 9R and 9S



AVS Solo® 1.5 and 2.0 Duo® 1.2, 1.4 and 1.9 Constructo® 1.5 and 2.0, Serial Numbers 9R and 9S

Service Parts

No.	Part Number	Description	SOLO		DUO			CONSTRUCTO	
			1.5 43725	2.0 45725	1.2 43710	1.4 43700	1.9 45700	1.5 1601602 Serial no.: 9R	2.0 1601612 Serial no.: 9S
1	02257	Double collar port 6" Ø	x	x	x	x	x	x	x
2	12454	Fresh air damper	x	x	x	x	x	x	x
3	13037	Damper rod	x	x	x	x	x	x	x
4	13038	Circuit board	x	x					
	13039				x	x	x		
	13034							x	x
5	12895	Thermistor	x	x	x	x	x	x	
6	05960	Door latch (2 required)	x	x	x	x	x	x	
7	13734	Damper actuator	x	x	x	x	x	x	
8	03308	Filters	x	x	x	x	x		
	02300							x	x
9	12908	Motor assembly	x					x	
	12912			x					x
	12909				x	x			
	12911						x		
10	13033	Rectangular damper	9P...+	9Q...+	9Q...+	9H...+	9N...+	9R...+	9S...+
	61248		7N...+	7Q...+	7M...+ 7Q...+	7M...+	7M...+ 7N...+	7R...+	7S...+
11	13346	Door assembly	x	x	x	x	x	x	
12	00887	Door latch (2 required)	x	x	x	x	x	x	
13	03316	Optional pleated filters (3)	x	x	x	x	x		
	03315	Optional charcoal filters (3)	x	x	x	x	x		
	03314	Optional electronic filter (1)	x	x	x	x	x		
14	15186	Wheel media (core) 14"			x		x		
	15187	Wheel media (core) 12"				x			
15	15184	Cassette (includes motor) 12"				x			
	15185	Cassette (includes motor) 14"			x		x		
16	03311	Recovery core	x	x				x	x
17	02256	Double balancing collar port	x	x	x	x	x	x	x
18	02253	Balancing damper	x	x	x	x	x	x	x
19	03203	Drain connector	x	x				x	x
20	01825	Door switch E69 10A	x	x	x	x	x	x	x
-	12664	OFF switch, low, high (not shown)						x	x
-	02323	Hardware kit (not shown)			x	x	x		
-	04840	Hardware kit (not shown)	x	x				x	x

For Constructo 1.5 and 2.0 units with a serial number beginning with CR or CS, see following pages.

NOTE : In order to ensure your ventilation unit remains in good working condition, you must use Venmar Ventilation Inc. genuine replacement parts only. Venmar Ventilation Inc. genuine replacement parts are specially designed for each unit and are manufactured to comply with all the applicable certification standards and maintain a high standard of safety. Any third party replacement part used may cause serious damage and drastically reduce the performance level of your unit, which will result in premature failing. Venmar Ventilation Inc. also recommends to contact a Venmar certified service depot for all replacement parts and repairs.

Constructo® 1.5 and 2.0, Serial Numbers CR and CS

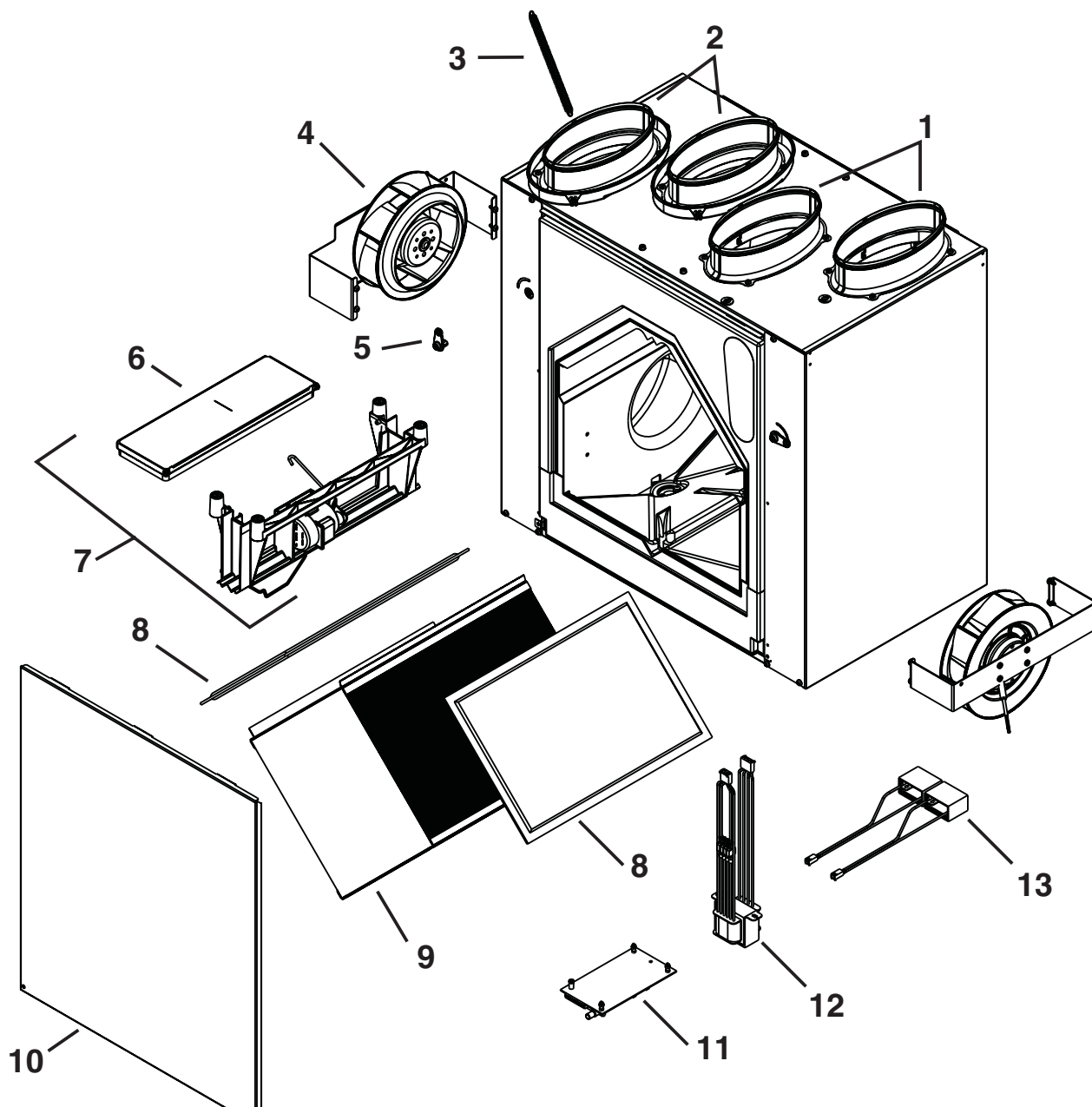
Service Parts

No.	Part Number	Description	Constructo 1.5 1601602	Constructo 2.0 1601612
			Serial no.: CR	Serial no.: CS
1	17235	Motorized damper actuator kit (including no. 18)	x	x
2	02257	Double collar port 6" Ø	x	x
3	13036	Hinge kit	x	x
4	13346	Door assembly (including nos. 3 and 5)	x	x
5	00887	Door latch (2 required)	x	x
6	02253	Balancing damper	x	x
7	02256	Balancing collar port	x	x
8	03203	Drain connector kit	x	x
9	03311	Heat recovery core	x	x
10	02300	Filter	x	x
11	17236	Motor assembly (including no. 12)	x	
11	17237	Motor assembly (including no. 12)		x
12	17243	Square damper kit	x	x
13	05960	Door latch (2 required)	x	x
14	17245	Damper no. 1 (kit)	x	x
15	17244	Transformer	x	x
16	17240	Capacitor 7.5 µF	x	x
17	60809	Circuit board	x	x
18	17242	Thermistor kit	x	x
-	06303	Hardware kit (not shown)	x	x
-	16416	PCB Connector (not shown)	x	x

For Constructo 1.5 and 2.0 units with a serial number beginning with 9R or 9S, see preceding pages.

NOTE : In order to ensure your ventilation unit remains in good working condition, you must use Venmar Ventilation Inc. genuine replacement parts only. Venmar Ventilation Inc. genuine replacement parts are specially designed for each unit and are manufactured to comply with all the applicable certification standards and maintain a high standard of safety. Any third party replacement part used may cause serious damage and drastically reduce the performance level of your unit, which will result in premature failing. Venmar Ventilation Inc. also recommends to contact a Venmar certified service depot for all replacement parts and repairs.

Constructo® 1.5V, EKO® HRV 1.5 and ERV 1.5



Constructo® 1.5V, EKO® HRV 1.5 and ERV 1.5

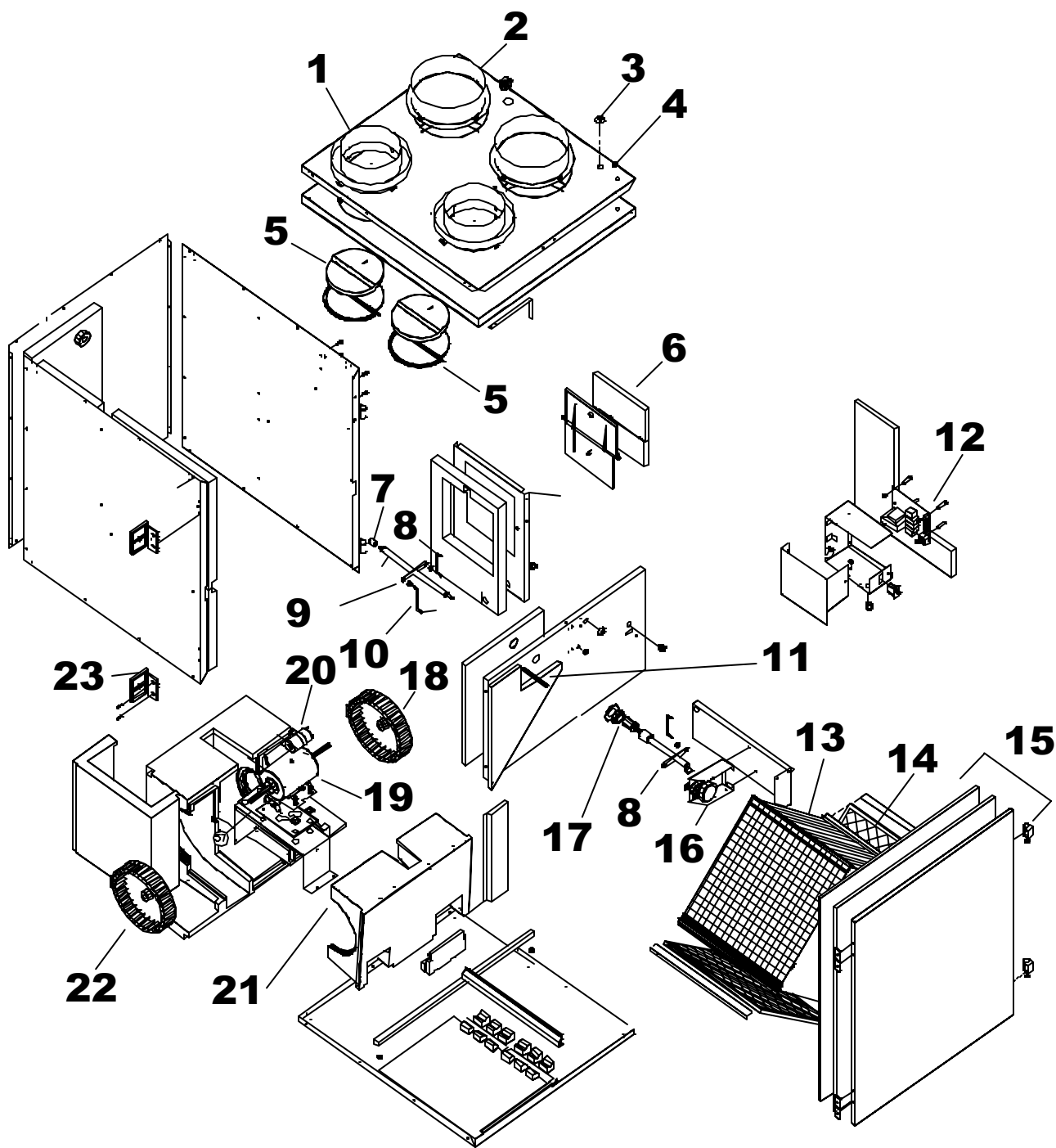
Service Parts

No.	Part Number	Description	ERV EKO 1.5 43910	HRV EKO 1.5 43900	Constructo 1.5V 43130
1	18206	Oval port (2)		x	x
2	18207*	Double collar oval port (2)	x	x	x
3	18221	Exhaust damper spring	x	x	x
4	18197	Motor assembly (2)			x
	18198		x	x	
5	18220	Balancing tools (2)	x	x	x
6	18200	Defrost damper	x	x	x
7	18199	Damper system assembly (including no. 6)	x	x	x
8	18204	Core filters (2)	x		x
	18205			x	
9	18202	Heat recovery core		x	
	18203				x
	18042	Energy recovery core	x		
10	18044	Door assembly	x		
	18211			x	
	18209				x
11	18215	Circuit board			x
	18216		x	x	
12	18218	Transformer	x	x	
	18219				x
13	16042	Capacitor 5 µF			x
14	15749	Thermistor kit (not shown)	x	x	x
15	08304	Hardware kit (not shown)		x	x
	08917		x		
16	16416	PBC connector (not shown)	x	x	x

*Quantity = 4 for EKO 1.5 ERV units only

NOTE : In order to ensure your ventilation unit remains in good working condition, you must use Venmar Ventilation Inc. genuine replacement parts only. Venmar Ventilation Inc. genuine replacement parts are specially designed for each unit and are manufactured to comply with all the applicable certification standards and maintain a high standard of safety. Any third party replacement part used may cause serious damage and drastically reduce the performance level of your unit, which will result in premature failing. Venmar Ventilation Inc. also recommends to contact a Venmar certified service depot for all replacement parts and repairs.

3055 Compact, 5585 Compact and HE 1.3



3055 Compact, 5585 Compact and HE 1.3

Service Parts

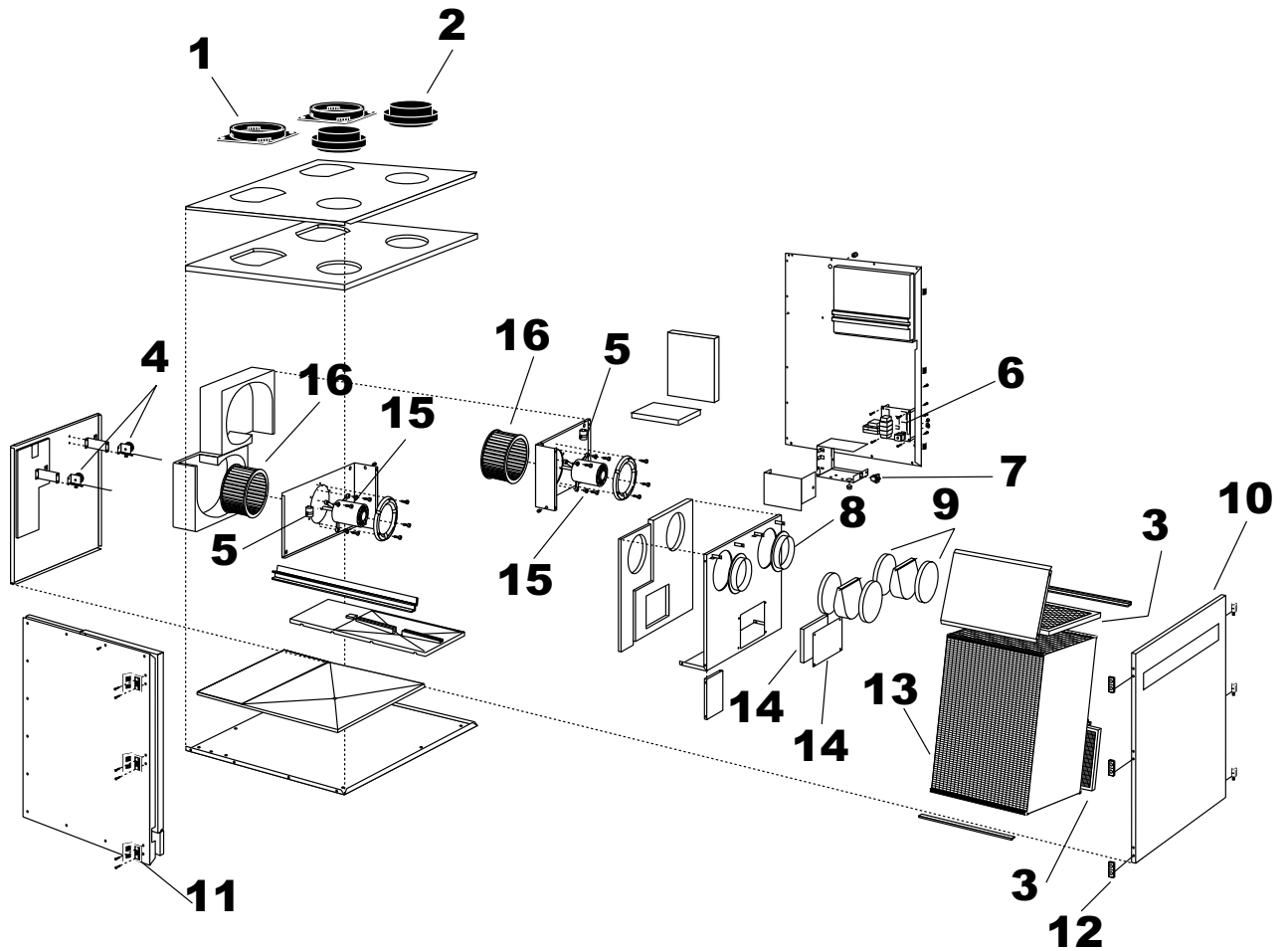
No.	Part Number	Description	3055 Compact 43300	5585 Compact 45300	HE 1.3 43400
1	02021	Double collar port 6" Ø	x	x	x
2	00867	Simple collar port 6" Ø	x		
	01177	Simple collar port 7" Ø		x	x
3	00660	Strain relief bushing SR-7K-2	x	x	x
4	00525	Strain relief bushing SR-2M-4	x	x	x
5	12459	Round damper assembly	x	x	x
6	12460	Rectangular damper assembly	x	x	x
7	02023	Damper motor shaft	x	x	x
8	11891	Damper rod 2.812"	x	x	x
9	00248	Rubber grommet	x	x	x
10	11892	Damper rod 5.25"	x	x	x
11	12895	Thermistor	x	x	x
12	13038	Circuit board	x	x	x
13	01816	Recovery core 13.5" x 13.5" x 7.875"	x		
	01817	Recovery core 13.5" x 13.5" x 13"		x	x
14	01232*	Aluminum filter	x		
	01234*			x	x
15	13395	Door assembly	x	x	x
16	02017	Damper actuator 6 W	x	x	x
17	02031	Plastic soft joint	x	x	x
18	02015	Right wheel 6.29" Ø x 2"	x		
	02014	Right wheel 7.062" Ø x 1.31"		x	
	03093	Right wheel 6.29" Ø x 2.396"			x
19	12027	Motor	x		x
	12026			x	
20	00683	Capacitor 5 µF	x	x	x
21	01180	Front housing		x	x
	01190		x		
22	12108	Left wheel 6.3" Ø x 3.6"	x		
	02240	Left wheel 7.125" Ø x 2"			x
	01178	Left wheel 7.125" Ø x 2.5"		x	
23	05960	Door latch (2 required)	x	x	x
	00887		x	x	x
-	03203	Drain connector (not shown)	x	x	x
-	02432	Hardware kit (not shown)	x	x	x

* Available while supplies last.

NOTE: In order to ensure your ventilation unit remains in good working condition, you must use Venmar Ventilation Inc. genuine replacement parts only. Venmar Ventilation Inc. genuine replacement parts are specially designed for each unit and are manufactured to comply with all the applicable certification standards and maintain a high standard of safety. Any third party replacement part used may cause serious damage and drastically reduce the performance level of your unit, which will result in premature failing. Venmar Ventilation Inc. also recommends to contact a Venmar certified service depot for all replacement parts and repairs.

3D DRAWINGS AND SERVICE PARTS - RESIDENTIAL UNITS

HE 1.8, Serial Numbers 9E00... and up
HE 2.6, Serial Numbers 9F00... and up



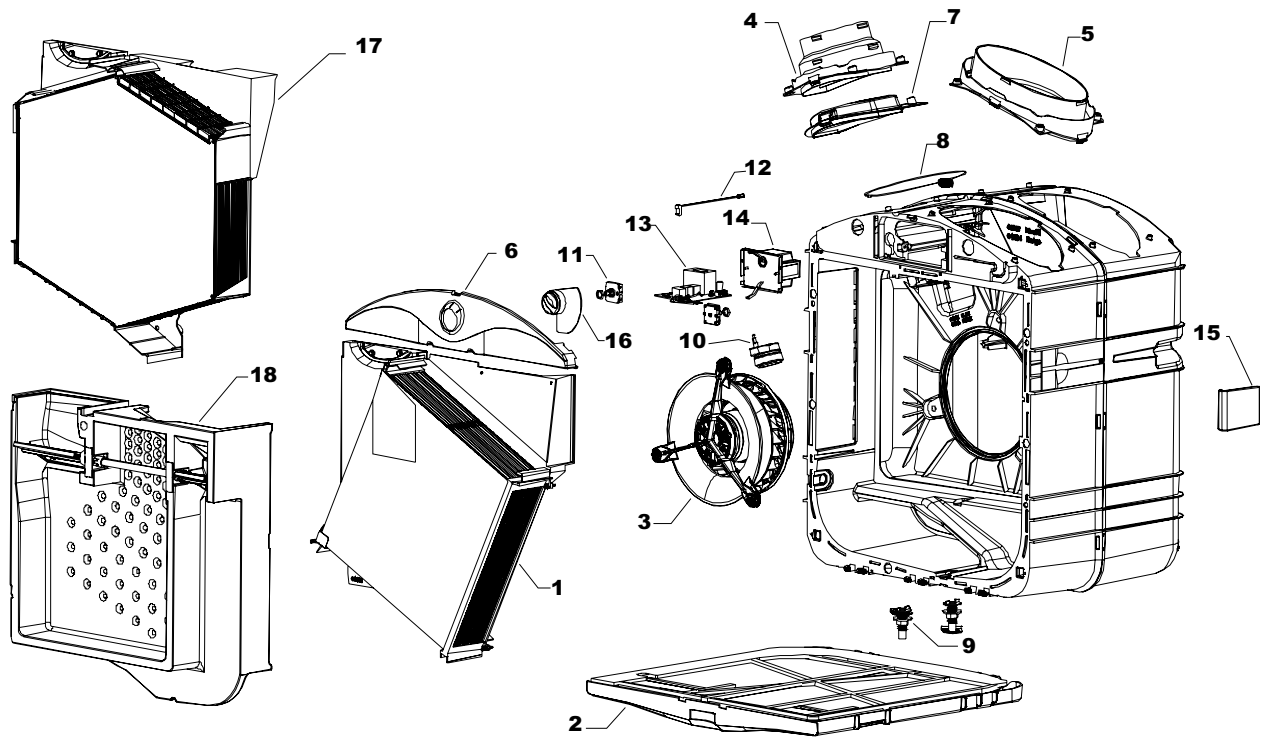
HE 1.8, Serial Numbers 9E00... and up HE 2.6, Serial Numbers 9F00... and up

Service Parts

No.	Part Number	Description	HE 1.8 Serial no.: 9E00 and up	HE 2.6 Serial no.: 9F00 and up	HE 1.8 Serial no.: 9E01 and up	HE 2.6 Serial no.: 9F01 and up
1	01657	Simple collar port 8" Ø	x	x	x	x
2	00865	Double collar port 6" Ø	x	x	x	x
3	04771	Filters 14.375" x 14.875" x 0.74" (2)			x	x
-	01248	Filter 14.375" x 15.5" x 0.375" (not shown)	x	x		
-	01249	Filter 8.125" x 10.75" x 0.75" (not shown)	x	x		
4	01295	Damper actuator	x	x	x	x
5	02104	Capacitor 7.5 µF	x	x	x	x
6	13038	Circuit board	x	x	x	x
7	01825	Door switch E69 10A	x	x	x	x
8	01277	Simple collar port 6" Ø	x	x	x	x
-	12895	Thermistor kit	x	x	x	x
9	12452	Damper assembly	x	x	x	x
10	13433	Door assembly	x	x	x	x
-	00672	Door hinge (not shown)	x	x		
11	05960	Door latch (2 required)	x	x	x	x
12	00887	Door keeper (2 required)	x	x	x	x
13	01819	Recovery core	x	x		
	04816				x	x
14	11236	Motor panel	x	x	x	x
15	12064	Motor HE 1.8	x		x	
	12065	Motor HE 2.6		x		x
16	01231	Wheel 7.125" Ø x 3" for HE 1.8	x		x	
	01263	Wheel 8" Ø x 3" for HE 2.6		x		x
-	00531	Filter cover insulation (not shown)	x	x		
-	01334	Filter cover (not shown)	x	x		
-	02041	Hardware kit (not shown)	x	x	x	x
-	11937	Drain connector / set of 2 (not shown)	x	x	x	x

NOTE : In order to ensure your ventilation unit remains in good working condition, you must use Venmar Ventilation Inc. genuine replacement parts only. Venmar Ventilation Inc. genuine replacement parts are specially designed for each unit and are manufactured to comply with all the applicable certification standards and maintain a high standard of safety. Any third party replacement part used may cause serious damage and drastically reduce the performance level of your unit, which will result in premature failing. Venmar Ventilation Inc. also recommends to contact a Venmar certified service depot for all replacement parts and repairs.

HEPA



HEPA

Service Parts

No.	Part Number	Description	HEPA 1000 H100010900132 to H1030207XXXXX	HEPA 1000 H1030208XXXXX and up	HEPA 2000 H200010900194 and up	HEPA 3000 H300010900135 and up	HEPA3100	HEPA4000 & 4100
1	14027	Recovery core				x	x	
2	14375	Door assembly	x	x	x	x	x	x
3	14570	Motor assembly	x	x				
	13937	Motor assembly			x	x	x	x
4	14378	Port kits 5" or 6" (2 per unit)			x	x	x	x
5	14379	Port kits 8" (2 per unit)	x	x	x	x	x	x
6	14381	Front fascia	x	x	x	x	x	x
7	14041	Cap port kit 5"	x	x				
8	14576	Damper wire				x	x	x
9	14578	Drain connector				x	x	
10	14571	Damper actuator				x	x	x
11	14572	3-position rotary switch	x	x	x	x	x	x
12	14575	Thermistor				x	x	x
13	14383	Circuit board	x	x	x			
	14384					x	x	
	14997							x
14	14573	Transformer kit	x		x	x	x	x
	14862			x				
15	04410	Door latches	x	x	x	x	x	x
16	04411	3-position switch knob	x	x	x	x	x	x
17	14996	ERV core						x
18	14380	Diffuser damper ass.			x			
-	04862-1	Wall control C12	x	x	x			
-	04391-1	Wall control C34				x	x	x
-	04328	Hardware kit	x	x				
-	04858	Hardware kit			x			x
-	04655	Hardware kit				x	x	
-	05120	Foam filter core (HRV) 13.625" x 3.4" x 0.375" (set of 2)				x	x	
-	05248	Filter tab	x	x	x	x	x	x
-	05689	Foam filter core (ERV)						x

NOTE: Be sure to mention the correct model and serial number when ordering the specified part.

NOTE : In order to ensure your ventilation unit remains in good working condition, you must use Venmar Ventilation Inc. genuine replacement parts only. Venmar Ventilation Inc. genuine replacement parts are specially designed for each unit and are manufactured to comply with all the applicable certification standards and maintain a high standard of safety. Any third party replacement part used may cause serious damage and drastically reduce the performance level of your unit, which will result in premature failing. Venmar Ventilation Inc. also recommends to contact a Venmar certified service depot for all replacement parts and repairs.

OTHER SERVICE PARTS - EXISTING AND DISCONTINUED UNITS

Enerflo

Part Number	Description	NRFLOH	NRFLOE
15745	Double collar port	x	x
15746	Damper actuator	x	x
15747	Damper kit	x	x
15748	Filter	x	x
15749	Thermistor kit	x	x
15045	Wall control	x	x

FAE125 and FAE125M

Part Number	Description	FAE125 FL00100200680 and up	FAE125M FM00100200659 and up
02253	Balancing damper (2)	x	x
02256	Port for balancing damper (2)	x	x
18620	Heat recovery core	x	x
09214	Filter	x	x
18619	Door assembly (with screws)	x	x
18618	Motorized damper assembly (with damper spring)		x
18682	Drain connector (with foam)	x	x
18683	Door screws (kit of 4)	x	x
02021	Double collar port 6" (2)	x	x
09221	Damper spring	x	x
09220	Hardware kit	x	x
18617	Damper motor assembly		x
10177	Damper motor cover		x

Filters

Part Number	For Model	Description
00661	HUSCH 200 / TRADE 200	11.875" x 16.625" x 0.375" (supply)
00662		9" x 16.625" x 0.875" (exhaust)
00864	HUSCH 150 / TRADE 150	11.5" x 12.75" x 0.375" (supply)
01146		8.875" x 12.75" x 0.375" (exhaust)
02027	Replacement filter no. 11839	9" x 24" x 0.875"
02300	43725 (7P30..., 7P38... incl.) 45725 (7Q30..., 7Q38... incl.)	15.375" x 7.186" x 0.75" (supply)
02349	1601602 (7R30..., 7R39... incl.) 1601612 (7S30..., 7S39... incl.)	15.375" x 8.5" x 0.5" (exhaust)
02300	1601602 (7R40...), 1601612 (7S40...) 43725 (7P39...), 45725 (7Q39...)	15.375" x 7.186" x 0.75" (exhaust + supply)
1608100	Standard washable filter SWF 1000 (set of 2)	7.5" x 11.667" x 1"
1608200	Standard washable filter SWF 2000 (set of 2)	9.375" x 15.625" x 1", 10.875" x 15.25" x 1"
1608250	Standard washable filter SWF 2000 PLUS (set of 2)	13.25" x 15.25" x 1", 10.875" x 15.25" x 1"
1608251	Medium efficiency filter MEF 2000 / 2000 PLUS	9.25" x 15.25" x 1"

Cores

Part Number	For Model	Description
02129	HUSCH 150 / TRADE 150	Recovery core
02131	HUSCH 200 / TRADE 200	Recovery core
02452	1601602 (7R30...) / 1601612 (7S30...) 43725 (7P30...) / 45725 (7Q30...)	Recovery core
02513	1601602 (7R31...) / 1601612 (7S31...) 43725 (7P31...) / 45725 (7Q31...)	Recovery core
1604150	1000	Recovery core / standard
1604152	2000	Recovery core / standard
1604153	2000+	Recovery core / right side
1604154	2000+	Recovery core / left side

Motors

Part Number	For Model	Description
12029	HUSH 200 / TRADE 200	Motor
1802100	2000 / 2000+	Motor
1802101	1000	Motor

Wheels

Part Number	For Model	Description
02014	5585 Compact	CCW wheel
01178	5585 Compact	Wheel
04356	2000 / 2000+	Wheel (special version) 6.3" Ø x 4"
12107	HUSCH 200	Wheel 7.125" Ø x 2.5"
1604174	1000	Wheel 6.3" Ø x 3.25"
1604175	1000	Wheel 6.3" Ø x 2.75"
1604176	2000 / 2000+	Wheel 6.75" Ø x 4.25"

Defrost parts

Part Number	For Model	Description
00938	HUSCH 150 / TRADE 200	Damper actuator, 6 W
12895	1000 / 2000 / 2000+ (13 digit serial no.)	Thermistor kit
202286	2000 / 2000+	Damper blade assembly (Spring return style / 13-digit serial no.)
202351	1000	Damper blade assembly (Spring return style / 13-digit serial no.)
1808114	1000 / 2000 / 2000+	Damper actuator, 24 V (8-digit serial no.)
1808131	1000	Damper actuator, 115 V (spring return style / 13-digit serial no.)
1808132	2000 / 2000+	Damper actuator, 115 V (spring return style / 13-digit serial no.)
1811201	2000 / 2000+	Damper reversal adaptor (8-digit serial no.)

OTHER SERVICE PARTS - EXISTING AND DISCONTINUED UNITS

Doors

Part Number	For Model	Description
201322	1000	Door assembly
1804101	2000	Door assembly

Timer / Capacitor / Relays

Part Number	For Model	Description
01077	1000	VARIQUIET resistor, 100 W, 100 Ohms
01659	Husch / Trade 150 and 200	Circuit board for serial number manufactured before June 1, 1994
13029	Constructo and TRADE 150 and 200	Circuit board for serial number manufactured after June 1, 1994.
1604181	1000, 2000 and 2000+	Capacitor for fan motor 4 μ F
1808109	1000, 2000 and 2000+	Relay - DPDT, 24 V
1808122*	2000 and 2000+	VARIQUIET resistor, 100 W / 50 Ohms
1808130	1000, 2000 and 2000+	Circuit board (13-digit serial no.)

Installation accessories

Part Number	For Model	Description
00866	2000 and 2000+	6" double duct collar
03106	1000, 2000 and 2000+	Hanger strap (18" length - pack of 4)

Others (current units)

Part Number	Description
00592	Drain pipe 1/2"
10338	Telephone type wire 40'
11313	Diagnosis wire

*Available while supplies last



550 Lemire Blvd. Drummondville (Quebec) J2C 7W9 CANADA

www.venmar.ca