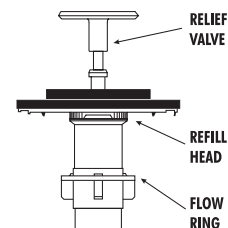


Optima® Flushometers

ROYAL® ESS (ITEM 24) REPAIR KIT

Code No.	Part No.	Description	Relief Valve	Refill Head*	Flow Ring
3345013	EL-1101-A	Low Consumption Water Closets-1.6 gpf (6.0 Lpf)	Green	Gray	Smooth
3345014	EL-1102-A	Water Saver Water Closets-3.5 gpf (13.2 Lpf)	White	Gray	Smooth
3345015	EL-1103-A	9 Liter European Water Closets-2.4 gpf (9.0 Lpf)	Blue	Gray	Smooth
3345016	EL-1106-A	Wash Down Urinals-0.5 gpf (1.9 Lpf)	Green	Black	Smooth
3345017	EL-1107-A	Low Consumption Urinals-1.0 gpf (3.8 Lpf)	Green	Black	Slotted
3345018	EL-1108-A	Water Saver Urinals-1.5 gpf (5.7 Lpf)	Black	Black	Smooth
3345083	EL-1109-A	High Efficiency Urinals-1.28 gpf (4.8 Lpf)	Blue	Gray	Smooth

To identify the Flush Volume of a DUAL FILTERED DIAPHRAGM ASSEMBLY, look at the color of the **relief valve**, the **refill head** and the shape of **flow ring**.



*NOTE: Water closet refill heads (gray) have larger slots than urinal refill heads (black).

DIAPHRAGM ONLY KIT

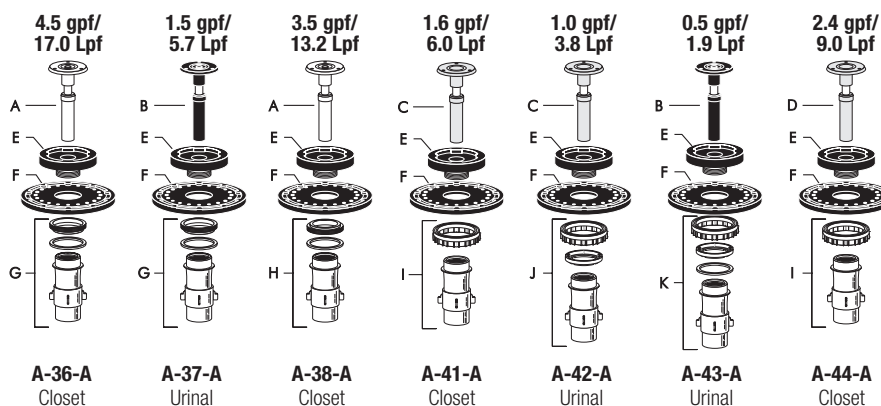
Code No.	Part No.	Description	Relief Valve	Refill Head*	Flow Ring
3301502	A-1041-A	Low Consumption Water Closets-1.6 gpf (6.0 Lpf)	Green	Gray	Smooth
3301501	A-1038-A	Water Saver Water Closets-3.5 gpf (13.2 Lpf)	White	Gray	Smooth
3301506	A-1045-A	High Efficiency Water Closets-1.28 gpf (4.8 Lpf)	Blue	Gray	Smooth
3301505	A-1044-A	9 Liter European Water Closets-2.4 gpf (9.0 Lpf)	Blue	Gray	Smooth
3301504	A-1043-A	Wash Down Urinals-0.5 gpf (1.9 Lpf)	Green	Black	Smooth
3321503	A-1042-A	Low Consumption Urinals-1.0 gpf (3.8 Lpf)	Green	Black	Slotted
3301500	A-1037-A	Water Saver Urinals-1.5 gpf (5.7 Lpf)	Black	Black	Smooth
3301142	A-1047-A	High Efficiency Urinals-0.25 gpf (1.0 Lpf) with White Inserts	White	HEU Black	Smooth
3301143	A-1050-A	High Efficiency Urinals-0.125 gpf (0.5 Lpf) with White Inserts	Blue	HEU Black	Smooth

*NOTE: Water closet refill heads (gray) have larger slots than urinal refill heads (black).

REGAL® ESS (ITEM 28) INSIDE PARTS KITS ASSEMBLY

NOTE: Also for use with Regal® XL (Since mid-2010)

Code No.	Part No.	Description
3301036	A-36-A	4.5 gpf/17.0 Lpf-Closet
3301037	A-37-A	1.5 gpf/5.7 Lpf-Urinal
3301038	A-38-A	3.5 gpf/13.2 Lpf-Closet
3301041	A-41-A	1.6 gpf/6.0 Lpf-Closet
3301044	A-42-A	1.0 gpf/3.8 Lpf-Urinal
3301081	A-43-A	0.5 gpf/1.9 Lpf-Urinal
3301024	A-44-A	2.4 gpf/9.0 Lpf-Closet



REGAL® INSIDE PARTS LIST** NOTE: Also for use with Regal® XL (Since mid-2010)

Item No.	Code No.	Part No.	Description
A.	5301058	A-19-AC	Relief Valve, White (Closet)
B.	5301059	A-19-AU	Relief Valve, Black (Urinal)
C.	5301211	A-19-ALC	Relief Valve, Green (Closet/Urinal-Low Consumption)
D.	0301143	A-19-AL	Relief Valve, Blue (9 Liter Closet)
E.	5301111	A-15-A	Disc
F.	5301188	A-156-A	Diaphragm
G.	5301236	A-163-A	Guide Assembly 4.5 gpf/17.0 Lpf Closet and 1.5 gpf/5.7 Lpf Urinal
H.	5301032	A-152-A	Guide Assembly 3.5 gpf/13.2 Lpf Closet
I.	5301031	A-151-A	Guide Assembly 1.6 gpf/6.0 Lpf Closet
J.	5301155	A-155-A	Guide Assembly 1.0 gpf/3.8 Lpf Urinal
K.	5301157	A-157-A	Guide Assembly 0.5 gpf/1.9 Lpf Urinal

**NOTE: All Regal® inside part items are supplied in 12 per package.