



RGLH

Parts List
01-March-2017



*This parts list is current as of the above revision date.
See <http://www.rheempartslists.net/92-42800-RGLH.pdf> for the current revision.*

80% Gas Furnaces

Table of Contents

Model Explanation	Page 3
Parts Numbers	
Panels - Miscellaneous 04-07	Page 4
Panels - Miscellaneous 10-15	Page 5
Electrical Group 04-07	Page 6
Electrical Group 10-15	Page 7
Blower Group	Page 8
Heat Exchanger-Burner Group 04-07	Page 9
Heat Exchanger-Burner Group 10-15	Page 10
Gas Controls (1)	Page 11
Gas Controls (2)	Page 12
Orifice Selection Chart	Page 13
Drawings/Photographs	
Exploded View	Page 14
Heat Exchanger Assembly	Page 15
NOX Insert Assembly after F0299	Page 16
Blower Assembly	Page 17
Notes/Disclaimer	Page 18

MODEL NUMBER EXPLANATION

R	G	L	H	-	0	7	E	A	U	E	R
(1)	(2)	(3)	(4)		(5)			(6)	(7)	(8)	(9)

(1) **TRADEBRAND IDENTIFICATION**

(2) **MODEL**
G = GAS FURNACE

(3) **TYPE**
L = DOWNFLOW

(4) **DESIGN SERIES / VARIATION**

(5) **HEATING INPUT DESIGNATION**
04 = 45,000 BTU/HR
05 = 50,000 BTU/HR
06 = 65,000 BTU/HR
07 = 75,000 BTU/HR
10 = 100,000 BTU/HR
12 = 125,000 BTU/HR
15 = 150,000 BTU/HR

0, 5 or 7 = Standing Pilot Ignition (SP)
E = Electric Ignition
N = Electric Ignition with NOX
M = Standing Pilot with NOX

(6) **VARIATIONS**

A = Standard Cabinet
B = Wide Cabinet

(7) **BLOWER DESIGNATION**

U = 11 x 6
M = 11 x 7
R = 11 x 10

(8) **AIRFLOW**

E = 1100-1300 CFM
G = 1500-1700 CFM
J = 1900-2100 CFM
K = 600-2000 CFM
M = 1200-2000 CFM
N = 800-2000 CFM
S = 500-1300 CFM

(9) **FUEL DESIGNATION**

A = Canadian - Natural Gas
R = U.S. - Natural Gas

SERIAL NUMBER EXPLANATION

D	C	5	D	3	0	7	F	2	2	9	4	9	9	9	9
(1)		(2)	(3)	(4)	(5)	(6)	(7)		(8)		(9)			(10)	

(1) **GAS CODE**

(2) **LIMIT CONTROL**

(3) **BLOWER**

(4) **HEATING ELEMENT**

(5) **SPECIAL AREA REQUIREMENT**

(6) **MOTOR HORSEPOWER**

(7) **PLANT**
F = Fort Smith, AR

(8) **WEEK**

(9) **YEAR**

(10) **PRODUCTION NUMBER**

No.	Notes	MODEL HEATING CAPACITY VARIATION BLOWER DESIGNATION AIRFLOW	RGLH	RGLH	RGLH
			04 A U S	05 A U E	05 B M K
PANELS, SHEET METAL PARTS					
1		Jacket	AS-66991-21	AS-66991-21	AS-66991-02
2		Top Plate	AE-66981-01	AE-66981-01	AE-66981-02
3		Blower/Filter Door	AS-67893-01	AS-67893-01	AS-67894-01
4		Burner Compartment Door	AE-61675-01	AE-61675-01	AE-61676-01
		Plug Button - 1-3/16 in. opening (2)	45-22980-01	45-22980-01	45-22980-01
5		Control Mounting Plate	AE-61968-01	AE-61968-01	AE-61968-01
6		Control Box	68-22857-01	68-22857-01	68-22857-01
7		Control Box Cover	AE-61699-02	AE-61699-02	AE-61699-02
13		Pressure Switch	See Electrical Group		
14		Door Switch - Push Button	42-22692-01	42-22692-01	42-22692-04
15		Limit - Manual Reset (Burner Compartment)	See Electrical Group		
16		Limit - Main Limit (Heat Exchanger Panel)	See Electrical Group		
17		Limit - Heat Assisted (Blower Housing)	See Electrical Group		
19		Induced Draft Blower	See Electrical Group		
20		Choke Plate Factor	See Electrical Group		
29		Blower/Inducer Control	See Gas Controls		
30		Ignitor	See Gas Controls		
31		Exhaust Hood Assembly	See Gas Controls		
32		Pilot	See Gas Controls		
33		Thermocouple	See Gas Controls		
34		Pilot Bracket	See Gas Controls		
		Junction Box	AE-61475-02	AE-61475-02	AE-61475-02
		Junction Box Cover	AE-61476-02	AE-61476-02	AE-61476-02
		Flue Pipe	AE-66691-14	AE-66691-14	AE-66691-14
		Flue Pipe Enclosure Assembly (Includes Flue Pipe, Enclosure and Enclosure Door)	AS-100608-01	AS-100608-01	AS-100608-01
		Silicone Tubing - Pressure Switch	AE-61737-02	AE-61737-02	AE-61737-04
		Filter Support	AE-61711-01	AE-61711-01	AE-61711-01
		Filter - Permanent	54-22699-02	54-22699-02	54-22699-02

No.	Notes	MODEL HEATING CAPACITY VARIATION BLOWER DESIGNATION AIRFLOW	RGLH	RGLH	RGLH	RGLH
			06 A U E	07 A M G	07 A U E	07 B R K
PANELS, SHEET METAL PARTS						
1		Jacket	AS-66991-25	AS-66991-22	AS-66991-25	AS-66991-03
2		Top Plate	AE-66981-02	AE-66981-02	AE-66981-02	AE-66981-03
3		Blower/Filter Door	AS-67894-01	AS-67894-01	AS-67894-01	AS-67895-01
4		Burner Compartment Door	AE-61676-01	AE-61676-01	AE-61676-01	AE-61677-01
		Plug Button - 1-3/16 in. opening (2)	45-22980-01	45-22980-01	45-22980-01	45-22980-01
5		Control Mounting Plate	AE-61968-01	AE-61968-01	AE-61968-01	AE-61968-01
6		Control Box	68-22857-01	68-22857-01	68-22857-01	68-22857-01
7		Control Box Cover	AE-61699-02	AE-61699-02	AE-61699-02	AE-61699-02
13		Pressure Switch	See Electrical Group			
14		Door Switch - Push Button	42-22692-01	42-22692-01	42-22692-01	42-22692-04
15		Limit - Manual Reset (Burner Compartment)	See Electrical Group			
16		Limit - Main Limit (Heat Exchanger Panel)	See Electrical Group			
17		Limit - Heat Assisted (Blower Housing)	See Electrical Group			
19		Induced Draft Blower	See Electrical Group			
20		Choke Plate Factor	See Electrical Group			
29		Blower/Inducer Control	See Gas Controls			
30		Ignitor	See Gas Controls			
31		Exhaust Hood Assembly	See Gas Controls			
32		Pilot	See Gas Controls			
33		Thermocouple	See Gas Controls			
34		Pilot Bracket	See Gas Controls			
		Junction Box	AE-61475-02	AE-61475-02	AE-61475-02	AE-61475-02
		Junction Box Cover	AE-61476-02	AE-61476-02	AE-61476-02	AE-61476-02
		Flue Pipe	AE-66691-14	AE-66691-14	AE-66691-14	AE-66691-14
		Flue Pipe Enclosure Assembly (Includes Flue Pipe, Enclosure and Enclosure Door)	AS-100608-01	AS-100608-01	AS-100608-01	AS-100608-01
		Silicone Tubing - Pressure Switch	AE-61737-04	AE-61737-04	AE-61737-04	AE-61737-03
		Filter Rack	AE-66681-01	AE-66681-01	AE-66681-01	AE-66681-01
		Filter - Permanent (2)	54-22699-01	54-22699-01	54-22699-01	54-22699-01

No.	Notes	MODEL HEATING CAPACITY VARIATION BLOWER DESIGNATION AIRFLOW	RGLH	RGLH	RGLH	RGLH
			10 A M E/G	10 A U E	10 B R J	10 B R M
PANELS, SHEET METAL PARTS						
1		Jacket	AS-66991-22	AS-66991-25	AS-66991-23	AS-66991-03
2		Top Plate	AE-66981-02	AE-66981-02	AE-66981-03	AE-66981-03
3		Blower/Filter Door	AS-67894-01	AS-67894-01	AS-67895-01	AS-67895-01
4		Burner Compartment Door	AE-61676-01	AE-61676-01	AE-61677-01	AE-61677-01
		Plug Button - 1-3/16 in. opening (2)	45-22980-01	45-22980-01	45-22980-01	45-22980-01
5		Control Mounting Plate	AE-67877-01	AE-61968-01	AE-67877-01	AE-67877-01
6		Control Box	68-22857-01	68-22857-01	68-22857-01	68-22857-01
7		Control Box Cover	AE-61699-02	AE-61699-02	AE-61699-02	AE-61699-02
13		Pressure Switch	See Electrical Group			
14		Door Switch - Push Button	42-22692-01	42-22692-01	42-22692-01	42-22692-04
15		Limit - Manual Reset (Burner Compartment)	See Electrical Group			
16		Limit - Main Limit (Heat Exchanger Panel)	See Electrical Group			
17		Limit - Heat Assisted (Blower Housing)	See Electrical Group			
19		Induced Draft Blower	See Electrical Group			
20		Choke Plate Factor	See Electrical Group			
29		Blower/Inducer Control	See Gas Controls			
30		Ignitor	See Gas Controls			
31		Exhaust Hood Assembly	See Gas Controls			
32		Pilot	See Gas Controls			
33		Thermocouple	See Gas Controls			
34		Pilot Bracket	See Gas Controls			
		Junction Box	AE-61475-02	AE-61475-02	AE-61475-02	AE-61475-02
		Junction Box Cover	AE-61476-02	AE-61476-02	AE-61476-02	AE-61476-02
		Flue Pipe	AE-66691-14	AE-66691-14	AE-66691-14	AE-66691-14
		Flue Pipe Enclosure Assembly (Includes Flue Pipe, Enclosure and Enclosure Door)	AS-100608-01	AS-100608-01	AS-100608-01	AS-100608-01
		Silicone Tubing - Pressure Switch	AE-61737-04	AE-61737-04	AE-61737-03	AE-61737-03
		Filter Support	AE-66681-01	AE-66681-01	AE-66681-01	AE-66681-01
		Filter - Permanent (2)	54-22699-01	54-22699-01	54-22699-01	54-22699-01

No.	Notes	MODEL HEATING CAPACITY VARIATION BLOWER DESIGNATION AIRFLOW	RGLH	RGLH	RGLH	
			12 A R J	12 A R M	15 A R J	
PANELS, SHEET METAL PARTS						
1		Jacket	AS-66991-24	AS-66991-04	AS-66991-24	
2		Top Plate	AE-66981-04	AE-66981-04	AE-66981-04	
3		Blower/Filter Door	AS-67896-01	AS-67896-01	AS-67896-01	
4		Burner Compartment Door	AE-61678-01	AE-61678-01	AE-61678-01	
		Plug Button - 1-3/16 in. opening (2)	45-22980-01	45-22980-01	45-22980-01	
5		Control Mounting Plate	AE-67877-01	AE-67877-01	AE-67877-01	
6		Control Box	68-22857-01	68-22857-01	68-22857-01	
7		Control Box Cover	AE-61699-02	AE-61699-02	AE-61699-02	
13		Pressure Switch	See Electrical Group			
14		Door Switch - Push Button	42-22692-01	42-22692-04	42-22692-01	
15		Limit - Manual Reset (Burner Compartment)	See Electrical Group			
16		Limit - Main Limit (Heat Exchanger Panel)	See Electrical Group			
17		Limit - Heat Assisted (Blower Housing)	See Electrical Group			
19		Induced Draft Blower	See Electrical Group			
20		Choke Plate Factor	See Electrical Group			
29		Blower/Inducer Control	See Gas Controls			
30		Ignitor	See Gas Controls			
31		Exhaust Hood Assembly	See Gas Controls			
32		Pilot	See Gas Controls			
33		Thermocouple	See Gas Controls			
34		Pilot Bracket	See Gas Controls			
		Junction Box	AE-61475-02	AE-61475-02	AE-61475-02	
		Junction Box Cover	AE-61476-02	AE-61476-02	AE-61476-02	
		Flue Pipe	AE-66691-14	AE-66691-14	AE-66691-14	
		Flue Pipe Enclosure Assembly (Includes Flue Pipe, Enclosure and Enclosure Door)	AS-100608-01	AS-100608-01	AS-100608-01	
		Silicone Tubing - Pressure Switch	AE-61737-01	AE-61737-01	AE-61737-01	
		Filter Rack	AE-66681-01	AE-66681-01	AE-66681-01	
		Filter - Permanent (2)	54-22699-02	54-22699-02	54-22699-02	

No.	Notes	MODEL HEATING CAPACITY VARIATION BLOWER DESIGNATION AIRFLOW	RGLH	RGLH	RGLH
			04 A U S	05 A U E	05 B M K
ELECTRIC GROUP					
13	Stk	Pressure Switch - See Date Codes	42-24335-03 (Before F1804)	42-24335-03 (Before F3702)	42-23648-02 (Before F3598)
13	Stk	Pressure Switch - See Date Codes	42-101233-02 (After F1804)	42-101233-01 (After F3702)	42-23648-03 (After F3598)
14		Door Switch - Push Button	42-22692-01	42-22692-01	42-22692-04
15	Stk	Limit - Manual Reset (Burner Compartment)	47-22861-01	47-22861-01	47-22861-01
16	Stk	Limit - Main Limit (Heat Exchanger Panel)	47-25351-08	47-25349-07	47-25349-07
17	Stk	Limit - Heat Assisted (Blower Housing)	47-22860-01	47-22860-01	47-22860-01
		Rollout Switch Bracket	AE-61600-02	AE-61600-02	AE-61600-02
18	Stk	Transformer - After F1399	46-24124-03	46-24124-03	46-24124-05
18	Stk	Transformer w/Fuse - Before F1399	46-24124-05	46-24124-05	46-24124-05
		Transformer Fuse (Small - 9/16 in.)	46-22863-82	46-22863-82	46-22863-82
		Transformer Fuse (Large - 1-9/16 in.)	46-22863-84	46-22863-84	46-22863-84
19	Stk	Induced Draft Blower - HSI or DSI Models (Before F2002)	70-24071-04	70-24157-03	70-24157-03
19	Stk	Induced Draft Blower - HSI or DSI Models (After F2002)	70-24071-04	70-24175-01	70-24157-03
19	Stk	Induced Draft Blower - Standing Pilot (SP) Models	70-24071-04	70-24157-03	70-24157-03
20		Choke Plate Factor	N/A	N/A	46-24256-02
		Wiring Harness - 5 pin from Indoor Blower Motor to 2 pin and 2 terminals	N/A	N/A	AS-61997-11
		Wiring Harness - 15 pin from IFC to 16 pin on Indoor Blower Motor	N/A	N/A	45-24258-01
		Wiring Harness - 9 pin to 5 terminals (Pilot Ignition) - No Longer Available	AS-61704-02	AS-61704-02	AS-61704-02
		Wiring Harness - 9 pin from Blower Inducer Control to 4 pin and 9 pin (Pilot Ignition)	AS-61700-02	AS-61700-02	AS-61700-02
		Wiring Harness - 9 pin to 9 terminals	45-24371-11	45-24371-11	45-24371-11
		Wiring Harness - 6 pin from IFC to 4 pin	45-24371-02	45-24371-02	45-24371-02
		Wiring Harness - 9 pin from IFC to 9 pin	45-24371-03	45-24371-03	45-24371-03
		Wiring Harness - 4 pin to 2 straight connectors (DSI)	See Gas Controls		
		Wiring Harness - 4 pin to 2 pin (DSI)	See Gas Controls		
		Wiring Harness - 6 pin to 4 pin (DSI)	See Gas Controls		

No.	Notes	MODEL HEATING CAPACITY VARIATION BLOWER DESIGNATION AIRFLOW	RGLH	RGLH	RGLH	RGLH
			06 A U E	07 A M G	07 A U E	07 B R K
ELECTRIC GROUP						
13	Stk	Pressure Switch - See Date Codes	42-24335-03 (Before F1804)	42-24335-03 (Before F3702)	42-24335-03 (Before F3702)	42-23648-03
13	Stk	Pressure Switch - See Date Codes	42-101233-02 (After F1804)	42-101233-01 (After F3702)	42-101233-01 (After F3702)	42-23648-03
14		Door Switch - Push Button	42-22692-01	42-22692-01	42-22692-01	42-22692-04
15	Stk	Limit - Manual Reset (Burner Compartment)	47-22861-01	47-22861-01	47-22861-01	47-22861-01
16	Stk	Limit - Main Limit (Heat Exchanger Panel)	47-25349-06	47-25349-05	47-25349-05	47-25349-08
17	Stk	Limit - Heat Assisted (Blower Housing)	47-22860-01	47-22860-01	47-22860-01	47-22860-01
		Rollout Switch Bracket	AE-61600-02	AE-61600-02	AE-61600-02	AE-61600-02
18	Stk	Transformer - After F1399	46-24124-03	46-24124-03	46-24124-03	N/A
18	Stk	Transformer w/Fuse - Before F1399	46-24124-05	46-24124-05	46-24124-05	46-24124-05
		Transformer Fuse (Small Fuse) 9/16 in.	46-22863-82	46-22863-82	46-22863-82	46-22863-82
		Transformer Fuse (Large Fuse) 1-9/16 in.	46-22863-84	46-22863-84	46-22863-84	46-22863-84
19	Stk	Induced Draft Blower - HSI or DSI Models (Before F2002)	70-24071-05	70-24157-03	70-24157-03	70-24157-03
19	Stk	Induced Draft Blower - HSI or DSI Models (After F2002)	70-24071-05	70-24175-01	70-24175-01	70-24157-03
19	Stk	Induced Draft Blower - Standing Pilot (SP) Models	70-24071-05	70-24157-03	70-24157-03	70-24157-03
20		Choke Plate Factor	N/A	N/A	N/A	46-24256-02
		Wiring Harness - 5 pin from Indoor Blower Motor to 2 pin and 2 terminals	N/A	N/A	N/A	AS-61997-11
		Wiring Harness - 15 pin from IFC to 16 pin on Indoor Blower Motor	N/A	N/A	N/A	45-24258-01
		Wiring Harness - 9 pin to 5 terminals (Pilot Ignition)	AS-61704-02	AS-61704-02	AS-61704-02	N/A
		Wiring Harness - 9 pin from Blower Inducer Control to 4 pin and 9 pin (Pilot Ignition)	AS-61700-02	AS-61700-02	AS-61700-02	N/A
		Wiring Harness - 9 pin to 9 terminals	45-24371-11	45-24371-11	45-24371-11	45-24371-11
		Wiring Harness - 6 pin from IFC to 4 pin	45-24371-02	45-24371-02	45-24371-02	45-24371-02
		Wiring Harness - 9 pin from IFC to 9 pin	45-24371-03	45-24371-03	45-24371-03	45-24371-03
		Wiring Harness - 4 pin to 2 straight connectors (DSI)	See Gas Controls			
		Wiring Harness - 4 pin to 2 pin (DSI)	See Gas Controls			
		Wiring Harness - 6 pin to 4 pin (DSI)	See Gas Controls			

No.	Notes	MODEL HEATING CAPACITY VARIATION BLOWER DESIGNATION AIRFLOW	RGLH	RGLH	RGLH	RGLH
			10 A M E/G	10 A U E	10 B R J	10 B R M
ELECTRIC GROUP						
13	Stk	Pressure Switch - See Date Codes	42-24335-03 (Before F3702)	42-24335-03 (Before F3702)	42-24335-03 (Before F3702)	42-23648-03
13	Stk	Pressure Switch - See Date Codes	42-101233-01 (After F3702)	42-24335-02 (After F3702)	42-101233-01 (After F3702)	42-23648-03
14		Door Switch - Push Button	42-22692-01	42-22692-01	42-22692-01	42-22692-04
15	Stk	Limit - Manual Reset (Burner Compartment)	47-22861-01	47-22861-01	47-22861-01	47-22861-01
16	Stk	Limit - Main Limit (Heat Exchanger Panel)	47-25349-05	47-25349-07	47-25349-07	47-25351-08
17	Stk	Limit - Heat Assisted (Blower Housing)	47-22860-03	47-22860-02	47-22860-01	47-22860-01
		Rollout Switch Bracket	AE-61600-02	AE-61600-02	AE-61600-02	AE-61600-02
18	Stk	Transformer - After F1399	46-24124-03	46-24124-03	46-24124-03	46-24124-05
18	Stk	Transformer w/Fuse - Before F1399	46-24124-05	46-24124-05	46-24124-05	46-24124-05
		Transformer Fuse (Small Fuse) 9/16 in.	46-22863-82	46-22863-82	46-22863-82	46-22863-82
		Transformer Fuse (Large Fuse) 1-9/16 in.	46-22863-84	46-22863-84	46-22863-84	46-22863-84
19	Stk	Induced Draft Blower - HSI or DSI Models (Before F2002)	70-24157-03	70-24157-03	70-24157-03	70-24157-03
19	Stk	Induced Draft Blower - HSI or DSI Models (After F2002)	70-24175-01	70-24175-01	70-24175-01	70-24157-03
19	Stk	Induced Draft Blower - Standing Pilot (SP) Models	N/A	70-24157-03	70-24157-03	70-24157-03
20		Choke Plate Factor	N/A	N/A	N/A	46-24256-02
		Wiring Harness - 5 pin from Indoor Blower Motor to 2 pin and 2 terminals	N/A	N/A	N/A	AS-61997-11
		Wiring Harness - 15 pin from IFC to 16 pin on Indoor Blower Motor	N/A	N/A	N/A	45-24258-01
		Wiring Harness - 9 pin to 5 terminals (Pilot Ignition)	AS-61704-02	AS-61704-02	AS-61704-02	N/A
		Wiring Harness - 9 pin from Blower Inducer Control to 4 pin and 9 pin (Pilot Ignition)	AS-61700-02	AS-61700-02	AS-61700-02	N/A
		Wiring Harness - 9 pin to 9 terminals	45-24371-11	N/A	45-24371-11	45-24371-11
		Wiring Harness - 6 pin from IFC to 4 pin	45-24371-02	N/A	45-24371-02	45-24371-02
		Wiring Harness - 9 pin from IFC to 9 pin	45-24371-03	N/A	45-24371-03	45-24371-03
		Wiring Harness - 4 pin to 2 straight connectors (DSI)			See Gas Controls	
		Wiring Harness - 4 pin to 2 pin (DSI)			See Gas Controls	
		Wiring Harness - 6 pin to 4 pin (DSI)			See Gas Controls	

No.	Notes	MODEL HEATING CAPACITY VARIATION BLOWER DESIGNATION AIRFLOW	RGLH	RGLH	RGLH	
			12 A R J	12 A R M	15 A R J	
ELECTRIC GROUP						
13	Stk	Pressure Switch	42-24335-02	42-23648-02	42-24335-02	
14		Door Switch - Push Button	42-22692-01	42-22692-04	42-22692-01	
15	Stk	Limit - Manual Reset (Burner Compartment)	47-22861-01	47-22861-01	47-22861-01	
16	Stk	Limit - Main Limit (Heat Exchanger Panel)	47-25349-05	47-25349-07	47-25349-05	
17	Stk	Limit - Heat Assisted (Blower Housing)	47-22860-03	47-22860-03	47-22860-04	
		Rollout Switch Bracket	AE-61600-02	AE-61600-02	AE-61600-02	
18	Stk	Transformer - After F1399	46-24124-03	46-24124-05	46-24124-03	
18	Stk	Transformer w/Fuse - Before F1399	46-24124-05	46-24124-05	46-24124-05	
		Transformer Fuse (Small Fuse) 9/16 in.	46-22863-82	46-22863-82	46-22863-82	
		Transformer Fuse (Large Fuse) 1-9/16 in.	46-22863-84	46-22863-84	46-22863-84	
19	Stk	Induced Draft Blower - HSI or DSI Models (Before F2002)	70-24157-03	70-24157-03	70-24157-03	
19	Stk	Induced Draft Blower - HSI or DSI Models (After F2002)	70-24175-01	70-24157-03	70-24175-01	
19	Stk	Induced Draft Blower - Standing Pilot (SP) Models	70-24157-03	70-24157-03	70-24157-03	
20		Choke Plate Factor	N/A	46-24256-02	N/A	
		Wiring Harness - 5 pin from Indoor Blower Motor to 2 pin and 2 terminals	N/A	AS-61997-11	N/A	
		Wiring Harness - 15 pin from IFC to 16 pin on Indoor Blower Motor	N/A	45-24258-01	N/A	
		Wiring Harness - 9 pin to 5 terminals (Pilot Ignition)	AS-61704-02	N/A	AS-61704-02	
		Wiring Harness - 9 pin from Blower Inducer Control to 4 pin and 9 pin (Pilot Ignition)	AS-61700-02	N/A	AS-61700-02	
		Wiring Harness - 9 pin to 9 terminals	45-24371-11	N/A	45-24371-11	
		Wiring Harness - 6 pin from IFC to 4 pin	45-24371-02	45-24371-02	45-24371-02	
		Wiring Harness - 9 pin from IFC to 9 pin	45-24371-03	45-24371-03	45-24371-03	
		Wiring Harness - 4 pin to 2 straight connectors (DSI)			See Gas Controls	
		Wiring Harness - 4 pin to 2 pin (DSI)			See Gas Controls	
		Wiring Harness - 6 pin to 4 pin (DSI)			See Gas Controls	

No.	Notes	MODEL HEATING CAPACITY VARIATION BLOWER DESIGNATION AIRFLOW	RGLH	RGLH	RGLH
			04 A U S	05 A U E	05 B M K
BLOWER GROUP					
21	Stk	Blower Assembly (Includes items 22-26)	AS-61697-28	AS-61697-08	AS-61697-59
22		Housing	AS-61697-28	AS-61674-04	AS-61674-21
23	Stk	Blower Motor - PSC	51-24070-01	51-22873-01	N/A
23	Stk	Blower Motor - ECM	N/A	N/A	51-24375-03
24		Motor Mount (4)	AE-61698-02	AE-61698-02	N/A
		ECM Motor Mount Bracket (4)	N/A	N/A	AE-61956-01
		ECM Motor Mount	N/A	N/A	70-24104-02
25	Stk	Blower Wheel	70-22683-01	70-22683-01	70-24254-02
26	Stk	Capacitor - Blower Motor	43-21298-43	43-21298-42	N/A

No.	Notes	MODEL HEATING CAPACITY VARIATION BLOWER DESIGNATION AIRFLOW	RGLH	RGLH	RGLH	RGLH
			06 A U E	07 A M G	07 A U E	07 B R K
BLOWER GROUP						
21	Stk	Blower Assembly (Includes items 22-26)	AS-61697-25	AS-61697-54	AS-61697-25	AS-61697-61
22		Housing	AS-61674-04	AS-61674-05	AS-61674-04	AS-61674-06
23	Stk	Blower Motor - PSC	51-24070-02	51-25023-01	51-24070-02	N/A
23	Stk	Blower Motor - ECM	N/A	N/A	N/A	51-24374-07
24		Motor Mount (4)	AE-61698-02	AE-61698-02	AE-61698-02	N/A
		ECM Motor Mount Bracket (4)	N/A	N/A	N/A	AE-61956-01
		ECM Motor Mount	N/A	N/A	N/A	70-24104-02
25	Stk	Wheel	70-22683-01	70-23111-05	70-22683-01	70-23111-20
26	Stk	Capacitor - Blower Motor	43-21298-42	43-21298-43	43-21298-42	N/A

No.	Notes	MODEL HEATING CAPACITY VARIATION BLOWER DESIGNATION AIRFLOW	RGLH	RGLH	RGLH	RGLH
			10 A M E	10 A M G	10 A U E	10 B R J
BLOWER GROUP						
21	Stk	Blower Assembly (Includes items 22-26)	AS-61697-22	AS-61697-54	AS-61697-25	AS-61697-31
22		Housing	AS-61674-05	AS-61674-05	AS-61674-04	AS-61674-06
23	Stk	Blower Motor - PSC	51-24070-02	51-25023-01	51-24070-02	51-22859-01
23	Stk	Blower Motor - ECM	N/A	N/A	N/A	N/A
24		Motor Mount (4)	AE-61698-02	AE-61698-02	AE-61698-02	AE-61698-02
		ECM Motor Mount Bracket (4)	N/A	N/A	N/A	N/A
		ECM Motor Mount	N/A	N/A	N/A	N/A
25	Stk	Blower Wheel	70-22688-01	70-23111-05	70-22683-01	70-20602-01
26	Stk	Capacitor - Blower Motor	43-21298-42	43-21298-43	43-21298-42	43-21298-43

No.	Notes	MODEL HEATING CAPACITY VARIATION BLOWER DESIGNATION AIRFLOW	RGLH	RGLH	RGLH	RGLH
			10 B R M	12 A R J	12 A R M	15 A R J
BLOWER GROUP						
21	Stk	Blower Assembly (Includes items 22-26)	AS-61697-84	AS-61697-31	AS-61697-57	AS-61697-31
22		Housing	AS-61674-06	AS-61674-06	AS-61674-06	AS-61674-06
23	Stk	Blower Motor - PSC	N/A	51-25023-01	N/A	51-25023-01
23	Stk	Blower Motor - ECM	51-24376-08	N/A	51-24376-07	N/A
24		Motor Mount (4)	N/A	AE-61698-02	N/A	AE-61698-02
		ECM Motor Mount Bracket (4)	AE-61956-01	N/A	AE-61956-01	N/A
		ECM Motor Mount	70-24104-02	N/A	70-24104-02	N/A
25	Stk	Blower Wheel	70-24255-01	70-20602-01	70-24255-01	70-20602-01
26	Stk	Capacitor - Blower Motor	N/A	43-21298-43	N/A	43-21298-43

No.	Notes	MODEL HEATING CAPACITY VARIATION BLOWER DESIGNATION AIRFLOW	RGLH	RGLH	RGLH
			04 A U S	05 A U E	05 B M K
HEAT EXCHANGER, BURNER / MANIFOLD					
27	Stk	Heat Exchanger Assembly	AS-66997-01	AS-66997-11	AS-66997-09
		Heat Exchanger Bracket (2)	AE-67846-02	AE-67846-02	AE-67846-02
8	Stk	Burner Tube w/Shield - Before F0997 (2)	75-22840-02	75-22840-02	75-22840-02
8	Stk,2	Burner Assembly - After F0997 (See Note 2)	AS-60993-02	AS-60993-02	AS-60993-02
9		Cylindrical NOX Insert - Before F0299 (2)	AE-61771-01	AE-61771-01	AE-61771-01
9		NOX Insert Assembly (Cross X) - After F0299 (1)	AS-67875-01	AS-67875-01	AS-67875-01
10		NOX Burner Retainer Rod - Before F0299	AE-61715-01	AE-61715-01	AE-61715-01
10		NOX Insert Retainer - After F0299	AE-67872-01	AE-67872-01	AE-67872-01
		Burner Support - Before F0997	AE-61577-01	AE-61577-01	AE-61577-01
		Burner Support - After F0997	AE-60997-01	AE-60997-01	AE-60997-01
11		Burner Support Bracket - Before F0997 (2)	AE-61588-01	AE-61588-01	AE-61588-01
11		Burner Support Bracket- After F0997 (2)	AE-61588-02	AE-61588-02	AE-61588-02
12	Stk	Manifold (w/o Orifices)	AS-61663-01	AS-61663-01	AS-61663-01
		Burner Orifice - Natural Gas	See Orifice Selection Chart		
		Burner Orifice - LP	See Orifice Selection Chart		
		Number of Orifices	(2)	(2)	(2)

No.	Notes	MODEL HEATING CAPACITY VARIATION BLOWER DESIGNATION AIRFLOW	RGLH	RGLH	RGLH	RGLH
			06 A U E	07 A M G	07 A U E	07 B R K
HEAT EXCHANGER, BURNER / MANIFOLD						
27	Stk	Heat Exchanger Assembly	AS-66997-08	AS-100561-01	AS-66997-02	AS-66997-10
		Heat Exchanger Bracket	AE-67846-02	AE-67846-02	AE-67846-02	AE-67846-02
8	Stk	Burner Tube w/Shield - Before F0997 (3)	75-22840-02	75-22840-02	75-22840-02	75-22840-02
8	Stk,2	Burner Assembly - After F0997 (See Note 2)	AS-60993-03	AS-60993-03	AS-60993-03	AS-60993-03
9		Cylindrical NOX Insert - Before F0299 (3)	AE-61771-01	AE-61771-01	AE-61771-01	AE-61771-01
9		NOX Insert Assembly (Cross X) - After F0299 (2)	AS-67875-01	AS-67875-01	AS-67875-01	AS-67875-01
10		NOX Burner Retainer Rod - Before F0299	AE-61715-02	AE-61715-02	AE-61715-02	AE-61715-02
10		NOX Insert Retainer - After F0299	AE-67872-02	AE-67872-02	AE-67872-02	AE-67872-02
		Burner Support - Before F0997	AE-61577-02	AE-61577-02	AE-61577-02	AE-61577-02
		Burner Support - After F0997	AE-60997-02	AE-60997-02	AE-60997-02	AE-60997-02
11		Burner Support Bracket - Before F0997 (2)	AE-61588-01	AE-61588-01	AE-61588-01	AE-61588-01
11		Burner Support Bracket- After F0997 (2)	AE-61588-02	AE-61588-02	AE-61588-02	AE-61588-02
12	Stk	Manifold (w/o Orifices)	AS-61663-02	AS-61663-02	AS-61663-02	AS-61663-02
		Burner Orifice - Natural Gas	See Orifice Selection Chart			
		Burner Orifice - LP	See Orifice Selection Chart			
		Number of Orifices	(3)	(3)	(3)	(3)

No.	Notes	MODEL HEATING CAPACITY VARIATION BLOWER DESIGNATION AIRFLOW	RGLH	RGLH	RGLH	RGLH
			10 A M E/G	10 A U E	10 B R J	10 B R M
HEAT EXCHANGER, BURNER / MANIFOLD						
27	Stk	Heat Exchanger Assembly	AS-66997-07	AS-66997-07	AS-66997-04	AS-66997-04
		Heat Exchanger Bracket (2)	AE-67846-02	AE-67846-02	AE-67846-02	AE-67846-02
8	Stk	Burner Tube w/Shield - Before F0997 (4)	75-22840-02	75-22840-02	75-22840-02	75-22840-02
8	Stk,2	Burner Assembly - After F0997 (See Note 2)	AS-60993-04	AS-60993-04	AS-60993-04	AS-60993-04
9		Cylindrical NOX Insert - Before F0299 (4)	AE-61771-01	AE-61771-01	AE-61771-01	AE-61771-01
9		NOX Insert Assembly (Cross X) - After F0299 (3)	AS-67875-01	N/A	AS-67875-01	AS-67875-01
10		NOX Insert Retainer - After F0299	AE-67872-03	N/A	AE-67872-03	AE-67872-03
10		NOX Burner Retainer Rod - Before F0299	AE-61715-03	AE-61715-03	AE-61715-04	AE-61715-04
		Burner Support - Before F0997	AE-61577-03	AE-61577-03	AE-61577-03	AE-61577-03
		Burner Support - After F0997	AE-60997-03	AE-60997-03	AE-60997-03	AE-60997-03
11		Burner Support Bracket - Before F0997 (2)	AE-61588-01	AE-61588-01	AE-61588-01	AE-61588-01
11		Burner Support Bracket- After F0997 (2)	AE-61588-02	AE-61588-02	AE-61588-02	AE-61588-02
12	Stk	Manifold (w/o Orifices)	AS-61663-03	AS-61663-03	AS-61663-03	AS-61663-03
		Burner Orifice - Natural Gas	See Orifice Selection Chart			
		Burner Orifice - LP	See Orifice Selection Chart			
		Number of Orifices	(4)	(4)	(4)	(4)

No.	Notes	MODEL HEATING CAPACITY VARIATION BLOWER DESIGNATION AIRFLOW	RGLH	RGLH	RGLH	
			12 A R J	12 A R M	15 A R J	
HEAT EXCHANGER, BURNER / MANIFOLD						
27	Stk	Heat Exchanger Assembly	AS-66997-05	AS-66997-05	AS-66997-06	
		Heat Exchanger Bracket	AE-67846-02	AE-67846-02	AE-67846-02	
8	Stk	Burner Tube w/Shield - Before F0997	75-22840-02	75-22840-02	75-22840-02	
8	Stk,2	Burner Assembly - After F0997 (See Note 2)	(5) AS-60993-05	(6) AS-60993-05	(6) AS-60993-06	
9		Cylindrical NOX Insert - Before F0299	AE-61771-01 (5)	AE-61771-01 (6)	AE-61771-01 (6)	
9		NOX Insert Assembly (Cross X) - After F0299	AS-67875-01 (4)	AS-67875-01 (4)	AS-67875-01 (5)	
10		NOX Insert Retainer - After F0299	AE-67872-04	AE-67872-04	AE-67872-05	
10		NOX Burner Retainer Rod - Before F0299	AE-61715-05	AE-61715-05	AE-61715-06	
		Burner Support - Before F0997	AE-61577-04	AE-61577-04	AE-61577-05	
		Burner Support - After F0997	AE-60997-04	AE-60997-04	AE-60997-05	
11		Burner Support Bracket - Before F0997 (2)	AE-61588-01	AE-61588-01	AE-61588-01	
11		Burner Support Bracket- After F0997 (2)	AE-61588-02	AE-61588-02	AE-61588-02	
12	Stk	Manifold (w/o Orifices)	AS-61663-04	AS-61663-04	AS-61663-05	
		Burner Orifice - Natural Gas	See Orifice Selection Chart			
		Burner Orifice - LP	See Orifice Selection Chart			
		Number of Orifices	(5)	(5)	(6)	

No.	Notes	MODEL GAS CODE (TYPE)	RGLH BB (SP)	RGLH BG (SP)	RGLH BT (HSI)	RGLH BW (SP)	RGLH BX (SP)	RGLH BY (SP)	RGLH BZ (SP)	
GAS CONTROLS										
28	Stk	Gas Valve - Natural Gas	60-22174-02	60-22174-02	60-22525-11	60-22525-02	60-22525-02	60-22525-02	60-22525-02	
28	Stk,1	Gas Valve - LP	See Note 1	See Note 1	See Note 1	See Note 1	See Note 1	See Note 1	See Note 1	
29	Stk	Integrated Control Board (IFC)	N/A	N/A	62-22737-07	N/A	N/A	N/A	N/A	
29	Stk	Blower Inducer Control	47-22830-01	47-22693-01	N/A	47-22827-03	47-22830-01	47-22693-01	47-22828-02	
	Stk	Flame Sensor	N/A	N/A	62-23543-01	N/A	N/A	N/A	N/A	
30	Stk	Ignitor	N/A	N/A	62-22868-02	N/A	N/A	N/A	N/A	
		Ignitor Bracket	N/A	N/A	AE-61581-01	N/A	N/A	N/A	N/A	
		Ignitor Shield	N/A	N/A	AE-61627-01	N/A	N/A	N/A	N/A	
31		Exhaust Hood Assembly	AS-61654-01	AS-61654-01	N/A	AS-61654-01	AS-61654-01	AS-61654-01	AS-61654-01	
32	Stk	Pilot	62-22864-02	62-22864-02	N/A	62-22864-02	62-22864-02	62-22864-02	62-22864-02	
	Stk	Natural Pilot Orifice	62-22832-02	62-22832-02	N/A	62-22832-02	62-22832-02	62-22832-02	62-22832-02	
33	Stk	Thermocouple	62-19635-02	62-19635-02	N/A	62-19635-02	62-19635-02	62-19635-02	62-19635-02	
		Pilot Tubing - Sizes 04-07	AE-60777-61	AE-60777-61	N/A	AE-60777-61	AE-60777-61	AE-60777-61	AE-60777-61	
		Pilot Tubing - Sizes 10-12	AE-60777-65	AE-60777-65	N/A	AE-60777-65	AE-60777-65	AE-60777-65	AE-60777-65	
		Pilot Tubing - Size 15	AE-60777-67	AE-60777-67	N/A	AE-60777-67	AE-60777-67	AE-60777-67	AE-60777-67	
34		Pilot Bracket	AE-61658-01	AE-61658-01	N/A	AE-61658-01	AE-61658-01	AE-61658-01	AE-61658-01	
		Pilot Shield	AE-61757-01	AE-61757-01	N/A	AE-61757-01	AE-61757-01	AE-61757-01	AE-61757-01	
LP Conversion Kit:										
	Stk	U.S. Models	FP-15	FP-15	FP-15	FP-15	FP-15	FP-15	FP-15	
	Stk	Canadian Models	FP-04	FP-04	FP-04	FP-04	FP-04	FP-04	FP-04	

No.	Notes	MODEL GAS CODE (TYPE)	RGLH CA (HSI)	RGLH CB (SP)	RGLH CC (SP)	RGLH CD (HSI)	RGLH CE (HSI)	RGLH CV (HSI)	RGLH CW (HSI)	RGLH CY (HSI)
GAS CONTROLS										
28	Stk	Gas Valve - Natural Gas	60-22525-11	60-22174-02	60-22174-02	60-105055-01	60-105055-01	60-105055-01	60-105055-01	60-105055-01
28	Stk,1	Gas Valve - LP	See Note 1	See Note 1	See Note 1	See Note 1	See Note 1	See Note 1	See Note 1	See Note 1
29	Stk	Integrated Control Board (IFC)	62-22694-01	N/A	N/A	62-22737-07	62-22694-02	62-22694-03	62-22737-08	62-22694-11
29	Stk	Blower Inducer Control	N/A	47-22827-03	47-22828-02	N/A	N/A	N/A	N/A	N/A
	Stk	Flame Sensor	62-23543-01	N/A	N/A	62-23543-01	62-23543-01	62-23543-01	62-23543-01	62-23543-01
30	Stk	Ignitor	62-22868-02	N/A	N/A	62-22868-02	62-22868-02	62-22868-02	62-22868-02	62-22868-02
	Stk	Ignitor - Silicon Nitride	N/A	N/A	N/A	N/A	N/A	N/A	N/A	N/A
		Ignitor Bracket	AE-61581-01	N/A	N/A	AE-61581-01	AE-61581-01	AE-61581-01	AE-61581-01	AE-61581-01
		Ignitor Shield	AE-61627-01	N/A	N/A	AE-61627-01	AE-61627-01	AE-61627-01	AE-61627-01	AE-61627-01
31		Exhaust Hood Assembly	N/A	AS-61654-01	AS-61654-01	N/A	N/A	N/A	N/A	N/A
32	Stk	Pilot	N/A	62-22864-02	62-22864-02	N/A	N/A	N/A	N/A	N/A
	Stk	Natural Pilot Orifice	N/A	62-22832-02	62-22832-02	N/A	N/A	N/A	N/A	N/A
33	Stk	Thermocouple	N/A	62-19635-02	62-19635-02	N/A	N/A	N/A	N/A	N/A
		Pilot Tubing - Sizes 04-07	N/A	AE-60777-61	AE-60777-61	N/A	N/A	N/A	N/A	N/A
		Pilot Tubing - Sizes 10-12	N/A	AE-60777-65	AE-60777-65	N/A	N/A	N/A	N/A	N/A
		Pilot Tubing - Size 15	N/A	AE-60777-67	AE-60777-67	N/A	N/A	N/A	N/A	N/A
34		Pilot Bracket	N/A	AE-61658-01	AE-61658-01	N/A	N/A	N/A	N/A	N/A
		Pilot Shield	N/A	AE-61757-01	AE-61757-01	N/A	N/A	N/A	N/A	N/A
LP Conversion Kit:										
	Stk	U.S. Models	FP-15	FP-15	FP-15	FP-15	FP-15	FP-15	FP-15	FP-15
	Stk	Canadian Models	FP-04	FP-04	FP-04	FP-15	FP-15	FP-15	FP-15	FP-15

No.	Notes	MODEL GAS CODE (TYPE)	RGLH DA (HSI)	RGLH DB (HSI)	RGLH DC (HSI)	RGLH DF (HSI)	RGLH DG (HSI)	RGLH DH (HSI)	RGLH EF (HSI)
GAS CONTROLS									
28	Stk	Gas Valve - Natural Gas	60-23490-01	60-23490-01	60-105055-01	60-105055-01	60-23490-01	60-23490-01	60-105055-01
28	Stk,1	Gas Valve - LP	See Note 1	See Note 1	See Note 1	See Note 1	See Note 1	See Note 1	See Note 1
29	Stk	Integrated Control Board (IFC)	62-22737-08	62-22694-11	62-24044-01	62-24084-02	62-24084-02	62-24044-01	62-24133-01
	Stk	Flame Sensor	62-23543-01	62-23543-01	62-23543-01	62-23543-01	62-23543-01	62-23543-01	62-23543-01
30	Stk	Ignitor - Silicon Carbide	62-22868-02	62-22868-02	62-22868-02	62-22868-02	62-22868-02	62-22868-02	62-22868-02
		Ignitor Bracket	AE-61581-01	AE-61581-01	AE-61581-01	AE-61581-01	AE-61581-01	AE-61581-01	AE-61581-01
		Ignitor Shield	AE-61627-01	AE-61627-01	AE-61627-01	AE-61627-01	AE-61627-01	AE-61627-01	AE-61627-01
	Stk	Ignitor - Silicon Nitride	N/A	N/A	N/A	N/A	N/A	N/A	62-24134-01
		Bracket - Silicon Nitride	N/A	N/A	N/A	N/A	N/A	N/A	AE-61958-01
LP Conversion Kit:									
	Stk	U.S. Models	FP-15	FP-15	FP-15	FP-15	FP-15	FP-15	FP-15
	Stk	Canadian Models	FP-04	FP-04	FP-15	FP-15	FP-04	FP-04	FP-15

No.	Notes	MODEL GAS CODE (TYPE)	RGLH EG (HSI)	RGLH EM (HSI - Mini)	RGLH EQ (HSI - Mini)	RGLH EU (HSI)	RGLH EV (HSI)	RGLH FD (DSI or HSI)	RGLH FE (DSI or HSI)
GAS CONTROLS									
28	Stk	Gas Valve - Natural Gas	60-23490-01	60-105055-01	60-23490-01	60-24290-01	60-24290-01	60-105055-01	60-105055-01
28	Stk,1	Gas Valve - LP	See Note 1	See Note 1	See Note 1	See Note 1	See Note 1	See Note 1	See Note 1
29	Stk	Integrated Control Board (IFC)	62-24133-01	62-24257-02	62-24257-02	62-24044-01	62-24084-02	62-24140-02	62-24136-03
	Stk	Flame Sensor	62-23543-01	62-23543-01	62-23543-01	62-23543-01	62-23543-01	62-23543-01	62-23543-01
30	Stk	Ignitor - Silicon Carbide (HSI)	62-22868-02	62-24305-02	62-24305-02	62-22868-02	62-22868-02	62-22868-02	62-22868-02
		Ignitor Bracket (HSI)	AE-61581-01	AE-61958-04	AE-61958-04	AE-61581-01	AE-61581-01	AE-61581-01	AE-61581-01
		Ignitor Shield (HSI)	AE-61627-01	N/A	N/A	AE-61627-01	AE-61627-01	AE-61627-01	AE-61627-01
30	Stk	Ignitor - Silicon Nitride	62-24134-01	N/A	N/A	N/A	N/A	N/A	N/A
		Bracket - Silicon Nitride	AE-61958-01	N/A	N/A	N/A	N/A	N/A	N/A
	Stk	Ignitor - DSI	N/A	N/A	N/A	N/A	N/A	62-24164-01	62-24164-01
	2	Ignitor Bracket - DSI (See Note 2)	N/A	N/A	N/A	N/A	N/A	AE-61885-02	AE-61885-02
		Wiring Harness - 4 pin to 2 straight connectors	N/A	N/A	N/A	N/A	N/A	45-24371-15	45-24371-15
		Wiring Harness - 4 pin to 2 pin	N/A	N/A	N/A	N/A	N/A	45-24371-08	45-24371-08
		Wiring Harness - 6 pin to 4 pin	N/A	N/A	N/A	N/A	N/A	45-24371-05	45-24371-05
LP Conversion Kit:									
	Stk	U.S. Models	FP-15	FP-15	FP-15	FP-15	FP-15	FP-15	FP-15
	Stk	Canadian Models	FP-04	FP-15	FP-04	FP-04	FP-04	FP-15	FP-15

No.	Notes	MODEL GAS CODE (TYPE)	RGLH FF (DSI or HSI)	RGLH FG (DSI or HSI)	RGLH FS (DSI or HSI)	RGLH FU (DSI or HSI)			
GAS CONTROLS									
28	Stk	Gas Valve - Natural Gas	60-23490-01	60-23490-01	60-24180-01	60-100394-01			
28	Stk,1	Gas Valve - LP	See Note 1	See Note 1	See Note 1	See Note 1			
29	Stk	Integrated Control Board	62-24140-02	62-24136-03	62-24140-04	62-24140-04			
	Stk	Flame Sensor	62-23543-01	62-23543-01	62-23543-01	62-23543-01			
30	Stk	Ignitor - Silicon Carbide (HSI)	62-22868-02	62-22868-02	62-22868-02	62-22868-02			
		Ignitor Bracket (HSI)	AE-61581-01	AE-61581-01	AE-61581-01	AE-61581-01			
		Ignitor Shield (HSI)	AE-61627-01	AE-61627-01	AE-61627-01	AE-61627-01			
	Stk	Ignitor - DSI	62-24164-01	62-24164-01	62-24164-01	62-24164-01			
	2	Ignitor Bracket - DSI (See Note 2)	AE-61885-02	AE-61885-02	AE-61885-02	AE-61885-02			
		Wiring Harness - 4 pin to 2 straight connectors	45-24371-15	45-24371-15	45-24371-18	45-24371-18			
		Wiring Harness - 4 pin to 2 pin	45-24371-08	45-24371-08	45-24371-08	45-24371-08			
		Wiring Harness - 6 pin to 4 pin	45-24371-05	45-24371-05	45-24371-05	45-24371-05			
LP Conversion Kit:									
	Stk	U.S. Models	FP-15	FP-15	FP-15	FP-15			
	Stk	Canadian Models	FP-04	FP-04	FP-04	FP-04			

80% GAS FURNACE - ORIFICE SELECTION CHART - NATURAL GAS

CAUTION: Selection of the correct Natural Gas Orifice requires the following information for the specific installation:

- 1) Altitude in of the installation (ft.).
- 2) Average energy content of the Natural Gas fuel from the local supplier (BTU/cu. ft.).

For detailed information and instructions for Orifice selection, see the Gas Furnace LP Conversion Kit Index 92-21519-59 and the latest edition of the National Fuel Gas Code Handbook, or the National Standard of Canada, Natural Gas and Propane Installation Code, CAN B149.1.

CAUTION: This information is provided for replacement purposes only. Conversion for operation at High Altitude must be done using the kit specified on the product specification sheet for the unit.

NOTE: This Orifice sizing chart is based on 25,000 BTU/HR per burner.

NOTE: Factory installed orifices are calculated and sized based on a Natural Gas heating value of 1075 BTU/cu. ft. and an elevation of 0 - 3000 ft.

Energy Value (BTU/cu. ft.)	Elevation (ft.)							
	0 - 1999	2000 - 2999	3000 - 3999	4000 - 4999	5000 - 5999	6000 - 6999	7000 - 7999	8000 - 8999
850	62-22175-38	62-22175-39	62-22175-40	62-22175-41	62-22175-41	62-22175-42	62-22175-42	62-22175-43
900	62-22175-40	62-22175-41	62-22175-42	62-22175-42	62-22175-42	62-22175-43	62-22175-43	62-22175-44
975	62-22175-41	62-22175-42	62-22175-42	62-22175-42	62-22175-43	62-22175-43	62-22175-44	62-22175-44
1075	62-22175-42	62-22175-42	62-22175-43	62-22175-43	62-22175-43	62-22175-44	62-22175-44	62-22175-45
1170	62-22175-43	62-22175-44	62-22175-44	62-22175-44	62-22175-45	62-22175-45	62-22175-46	62-22175-47

80% GAS FURNACE - ORIFICE SELECTION CHART - LP

CAUTION: Selection of the correct LP Orifice requires the altitude of the specific installation (ft.).

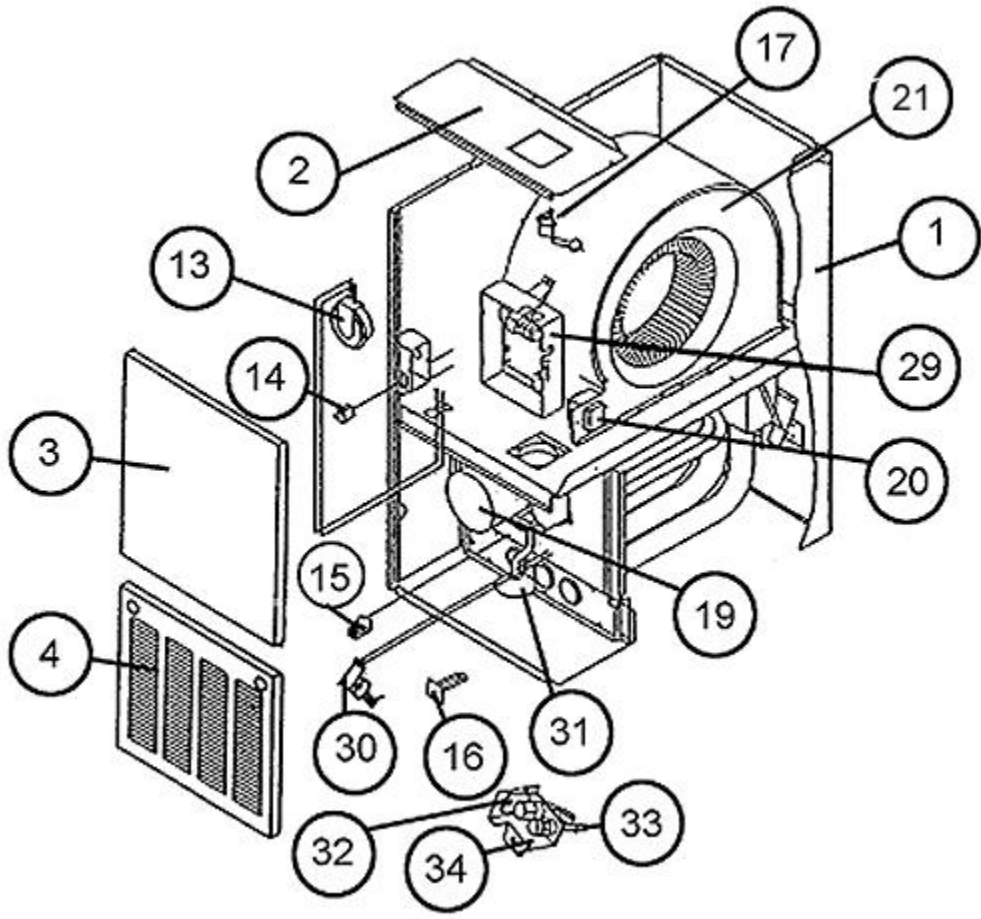
For detailed information and instructions for Orifice selection, see the Gas Furnace LP Conversion Kit Index 92-21519-59 and the latest edition of the National Fuel Gas Code Handbook (NFG), or the National Standard of Canada, Natural Gas and Propane Installation Code, CAN B149.1.

CAUTION: This information is provided for replacement purposes only. Conversion to LP or for operation at High Altitude should be done using the kit(s) specified on the product specification sheet for the unit.

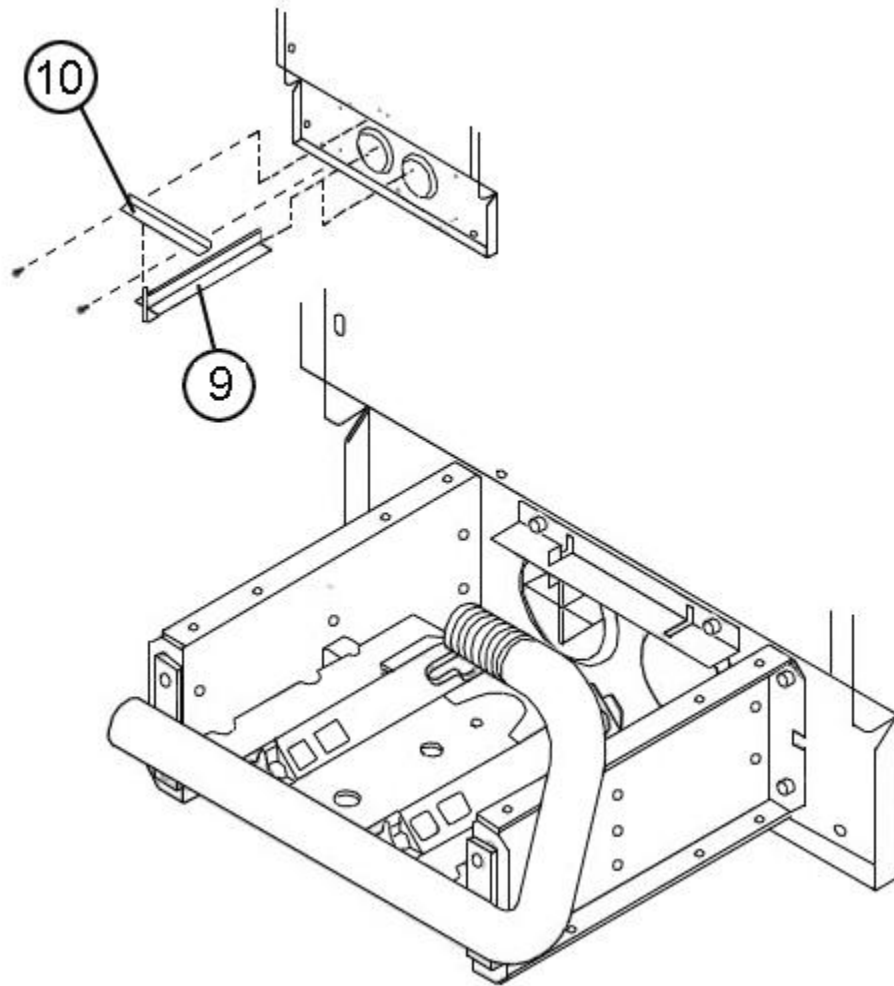
NOTE: This Orifice sizing chart is based on 25,000 BTU/HR per burner. Also, the chart is developed using the specified pressure setting of 10 in. water column instead of the 11.0 in water column used by the NFG and CANB149.1.

NOTE: Orifices supplied in the LP Conversion Kit are calculated and sized based on an altitude of 0 - 4000 ft.

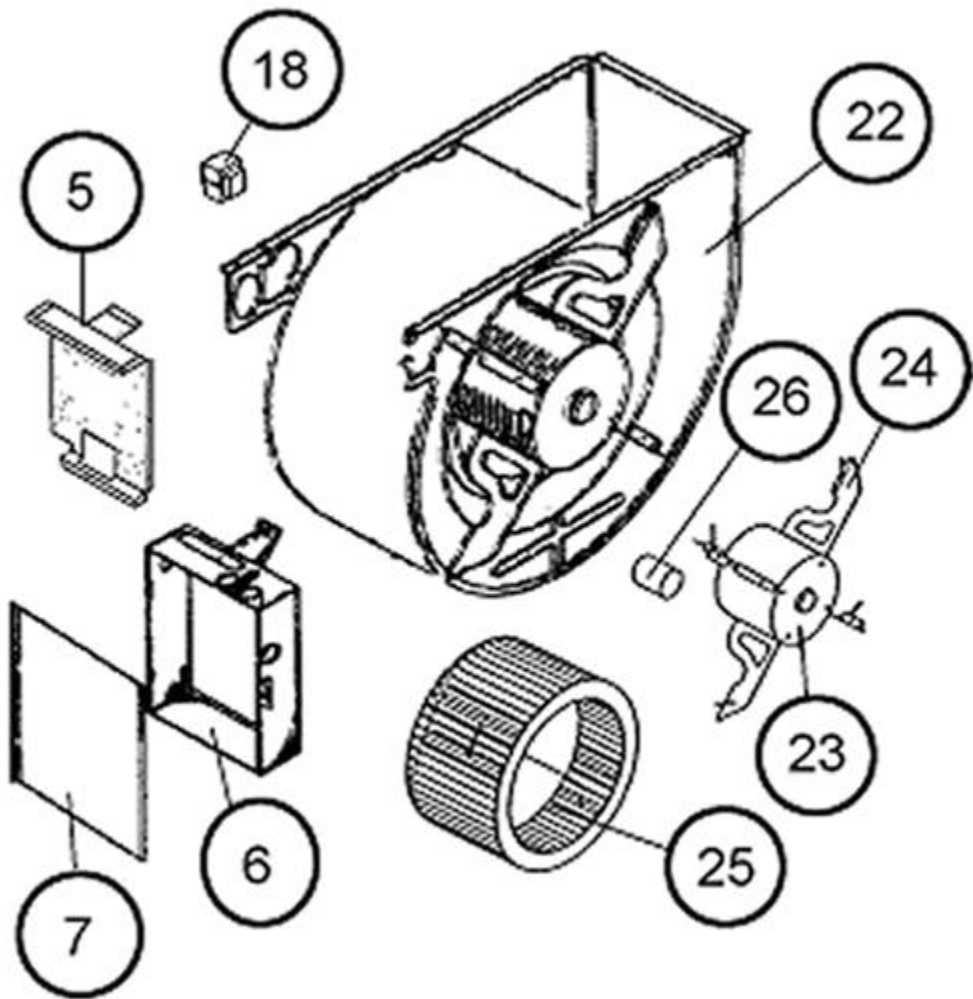
Elevation (ft.)	Orifice							
0 - 2000	62-22175-54							
2001 - 3000	62-22175-54							
3001 - 4000	62-22175-54							
4001 - 5000	62-22175-54							
5001 - 6000	62-22175-54							
6001 - 7000	62-22175-54							
7001 - 8000	62-22175-55							
8001 - 9000	62-22175-55							
9001 - 10000	62-22175-55							



Exploded View



NOX Insert Assembly after F0299



Blower Assembly

NOTES

Stk It is recommended that stock be maintained for this part.

N/A Not Applicable

- 1 Order Gas Valve for Natural Gas along with LP Conversion Kit. (If the original valve has been replaced, order the spring kit for the replacement valve.)
- 2 For units with DSI ignition, and date codes before F1506, it is recommended that a new Igniter Bracket (AE-61885-02, with three mounting holes) be ordered.

DISCLAIMER: This document is intended to provide general replacement parts information to aid qualified service personnel in the repair of these models. The complete Model and Serial Number of the unit under repair should be specified when selecting and ordering replacement parts. Specifications and illustrations are subject to change without notice. Document 92-42800-RGLH supersedes all previous parts lists for these models. See <http://www.rheempartslists.net/92-42800-RGLH> for the latest revision of this document. The manufacturer assumes no obligation for errors or omissions. Service personnel must verify the proper and safe operation of equipment after the replacement of any original components.