

MODEL NUMBER:

- ☐ **2411.015 Grid Drain With Overflow**
Polished Chrome or Satin Nickel Finish.

GENERAL DESCRIPTION:

Brass grid drain with overflow. 1-1/4" (32mm) tailpiece.
Brass construction.

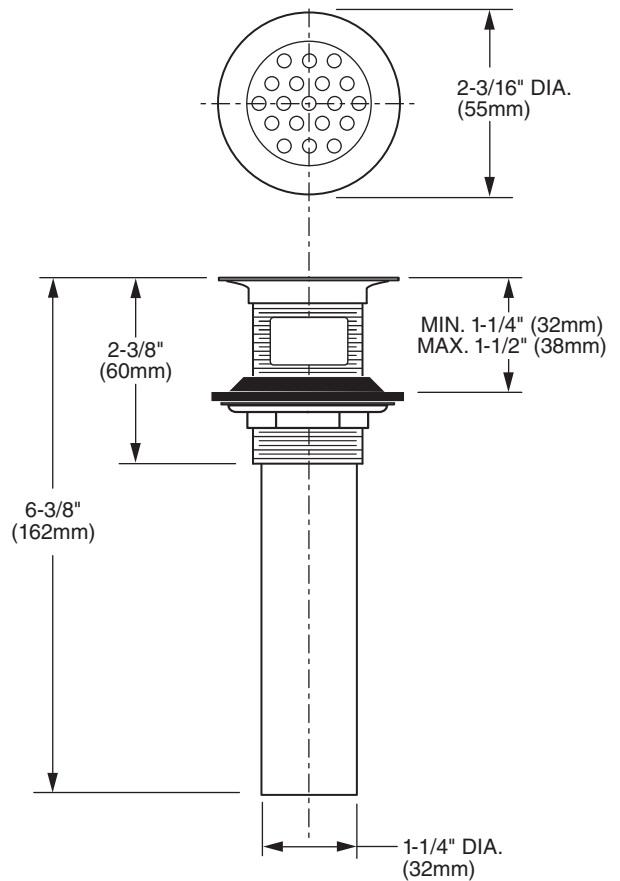
PRODUCT FEATURES:

- Brass construction with overflow
- 1-1/4" tailpiece
- Available in Chrome (002) & Satin Nickel PVD (295)

CODES AND STANDARDS

These products meet or exceed the following codes and standards:

ASME A112.18.2
CSA B 125.2



SUGGESTED SPECIFICATION:

Grid drain shall be of brass construction with 1-1/4" overflow. Fitting shall be American Standard Model # 2411.015.____.