

SPECIFICATIONS

FIGURE 14B-YSS

Y-STRAINER



800 PSI CWP STAINLESS STEEL Y-STRAINER

FEATURES

- 800 psi CWP
- Temperature: -4°F to 356°F
- Investment cast components
- Stainless steel body and perforated plate filter
- Viton® O-Ring seal
- Threaded NPT ends
- Manufactured silicone free

Manufactured, assembled and tested without the use of silicone-bearing compounds or lubricants

PRODUCT SPECIFICATIONS

Standards

- Pressure test: 80 psi air
- Material: ASTM/ASME B16.34
- Connections: ANSI B1.20.1 (NPT)



CV & WEIGHTS

Size	Cv	Wt. (lbs)
1/2"	4.6	0.5
3/4"	10.6	0.8
1"	19.7	1.6
1-1/4"	31.5	1.9
1-1/2"	46.4	2.7
2"	86.8	4.3

FIGURE NUMBER MATRIX

Size Code – FNW YSS	
1/2"	D
3/4"	F
1"	G
1-1/4"	H
1-1/2"	J
2"	K
Replacement O-Rings	
1/2"	FNWYSSOD
3/4"	FNWYSSOF
1"	FNWYSSOG
1-1/4"	FNWYSSOH
1-1/2"	FNWYSSOJ
2"	FNWYSSOK
Replacement Gaskets	
1/2"	FNWYSSGD
3/4"	FNWYSSGF
1"	FNWYSSGG
1-1/4"	FNWYSSGH
1-1/2"	FNWYSSGJ
2"	FNWYSSGK

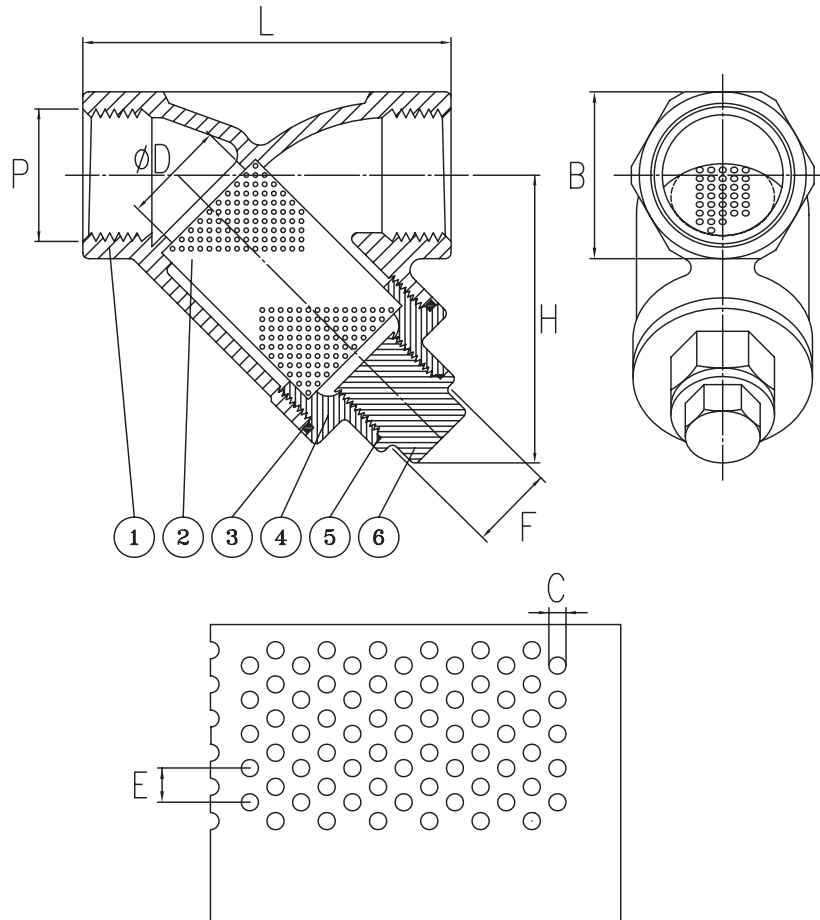
SPECIFICATIONS

FIGURE 14B-YSS

Y-STRAINER



800 PSI CWP STAINLESS STEEL Y-STRAINER



DIMENSIONS (INCHES)

Size	ØD	L	H	B	C	E	F (NPT)	P (NPT)
1/2	0.59	2.56	1.89	1.02	0.039	0.079	1/4"	1/2"
3/4	0.79	3.15	2.17	1.30	0.039	0.079	1/4"	3/4"
1	0.98	3.54	2.76	1.61	0.039	0.079	1/2"	1"
1-1/4	1.26	4.13	2.91	1.93	0.039	0.079	1/2"	1-1/4"
1-1/2	1.58	4.75	3.23	2.21	0.039	0.079	1/2"	1-1/2"
2	1.97	5.51	3.74	2.72	0.039	0.079	1/2"	2"

STANDARD MATERIALS

Ref. No.	Description	Material	QTY
1	Body	ASTM A351 Gr. CF8M	1
2	Perforated Plate	316SS	1
3	Gasket	PTFE	1
4	Bonnet	ASTM A351 Gr. CF8M	1
5	O-Ring	Viton®	1
6	Plug	ASTM A351 Gr. CF8M	1