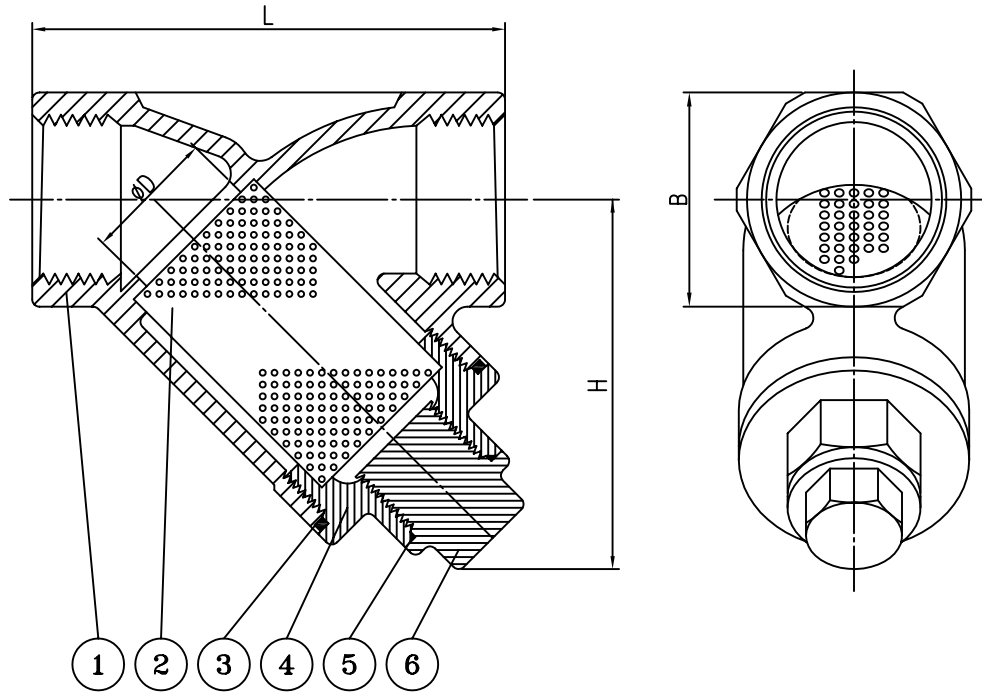
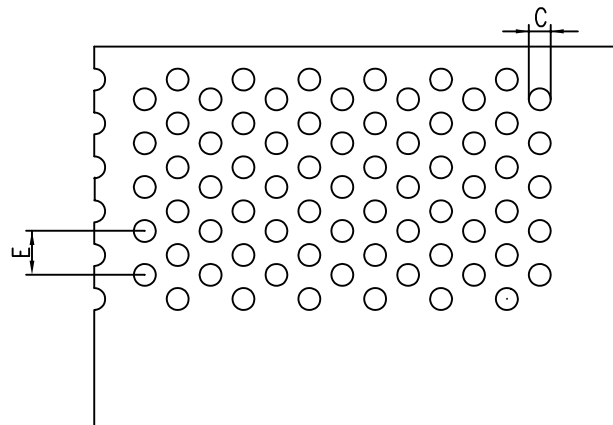


Fig No: #14B-YSS



DIMENSION INCH

SIZE	ØD	L	H	B	C	E
1/2"	0.59	2.56	1.89	1.02	.039	.079
3/4"	0.79	3.15	2.17	1.30	.039	.079
1"	0.98	3.54	2.76	1.61	.039	.079
1-1/4"	1.26	4.13	2.91	1.93	.039	.079
1-1/2"	1.58	4.72	3.23	2.21	.039	.079
2"	1.97	5.51	3.74	2.72	.039	.079



MATERIAL LIST

NO	PART NAME	MATERIAL	Q.TY
1	BODY	ASTM A-351 GR. CF8M	1
2	SCREEN	SS316	1
3	GASKET	PTFE	1
4	BONNET	ASTM A-351 GR. CF8M	1
5	O-RING	VITON	1
6	BLOW OFF	ASTM A-351 GR. CF8M	1

FNWTM

APPROVED BY.	CHECK BY.	DRAWN BY.	DRAWING NO.	MATERIAL	UNIT	DESCRIPTION
SIGN			YSS200-D		INCH	Y-STRAINER THREADED END,800PSI
DATE			REVISION	SCALE	FREE	
			03 04/25/2006			