

Foot Valve

Model 60SE

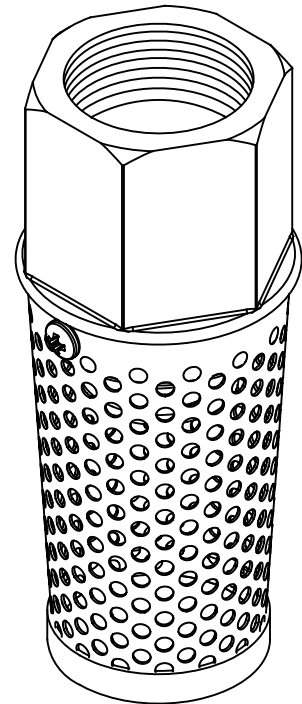
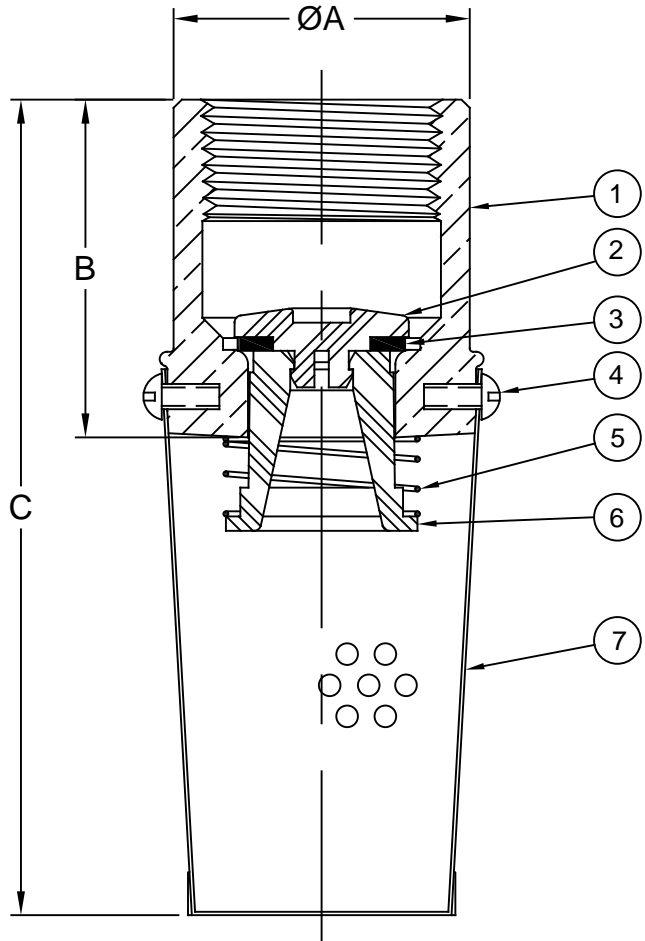
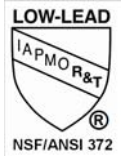


Flomatic Corporation

Sizes 3/4" / 20 mm

Materials

Enviro Check®



Max Temp 180°F (82°C)
Max Pressure 250psi (18bar)

Item #	Qty	Description	Material	ASTM
1	1	Body	Unleaded Bronze	C89833
2	1	Poppet	Hostaform	-----
3	1	Seal	Buna-n	-----
4	2	Screw	Stainless Steel	18-8
5	1	Spring	Stainless Steel	302
6	1	Guide	Hostaform	-----
7	1	Screen	Stainless Steel	304

Dimensions

Size		Part #	A		B		C		Weight	
inch	mm		inch	mm	inch	mm	inch	mm	lbs	kg
3/4	20	4100E	1-19/64	33	1-15/32	37	3-35/64	90	5/16	.14

Flomatic Corporation can accept no responsibility for possible errors in catalogues, brochures and other printed material. Flomatic Corporation reserves the right to alter its products without notices. This also applies to product already agreed. All trademarks in this material are property of the respective companies. All right reserved. ©2019 Flomatic Corporation. The drawings & information on this drawing sheet are the sole & exclusive property of Flomatic Corporation. Any reproduction, distribution, display or use of these drawings or information in whole or in part without written authorization of Flomatic Corporation is strictly prohibited. www.flomatic.com



March 4, 1991
Dwg No: S4100E Rev F (3/19)

FLOMATIC CORPORATION
GLENS FALLS, N.Y. 12801
PHONE (518) 761-9797
FAX (518) 761-9798