

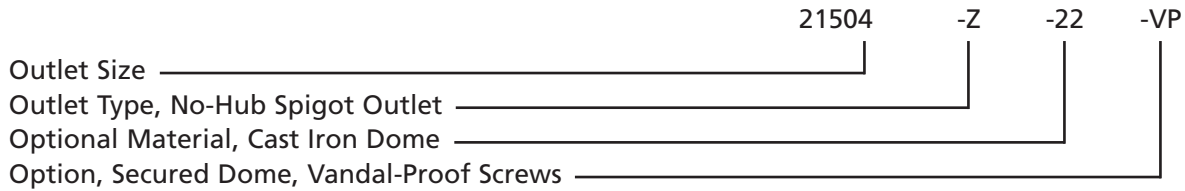
ROOF DRAINS

How To Order Roof Drains

Unless optional materials are specified, standard material shown in Specification will be provided. Last digit indicates outlet size.

EXAMPLE: Series No. 21500

Type No. 21504



Drain Receivers

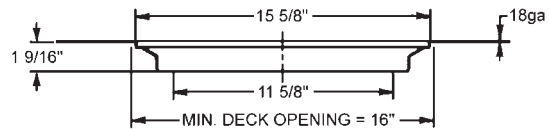
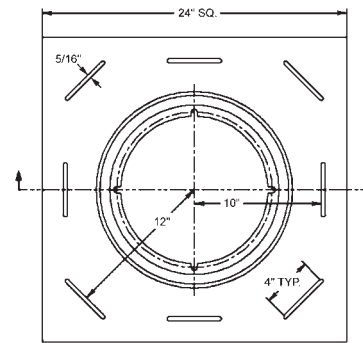
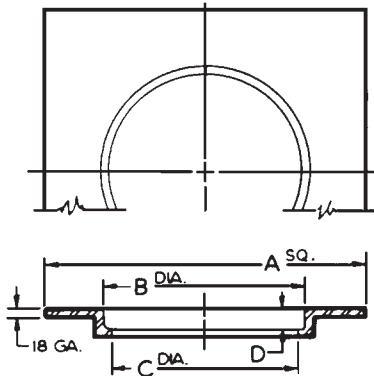


TABLE OF DIMENSIONS

SERIES NO.	A	B	C	D
21500	24	15-1/2	14-9/16	21/64
22010	20	12-1/4	11-1/2	21/64
22080	16	9-1/2	7-1/2	47/64

DRAIN SERIES	APPLICABLE DRAIN RECEIVER						
	OUTLET SIZE						
	2	3	4	5	6	8	10
21500	21500 21500-CR	21500 21500-CR	21500 21500-CR	21500 21500-CR	21500 21500-CR	21500 21500-CR	21500 21500-CR
22010	22010	22010	22010	22010	22010		
22080	22080	22080	22080				
23710	22010	22010	22010	22010	22010		
23730	22080	22080	22080				
23740	22080	22080	22080				
25500	21500 21500-CR	21500 21500-CR	21500 21500-CR	21500 21500-CR	21500 21500-CR	21500 21500-CR	
25520	22010	22010	22010	22010	22010		
25540	22080	22080	22080				
28600	21500 21500-CR	21500 21500-CR	21500 21500-CR	21500 21500-CR	21500 21500-CR	21500 21500-CR	

22010 SERIES

MEDIUM SUMP, Beehive Dome

APPLICATION

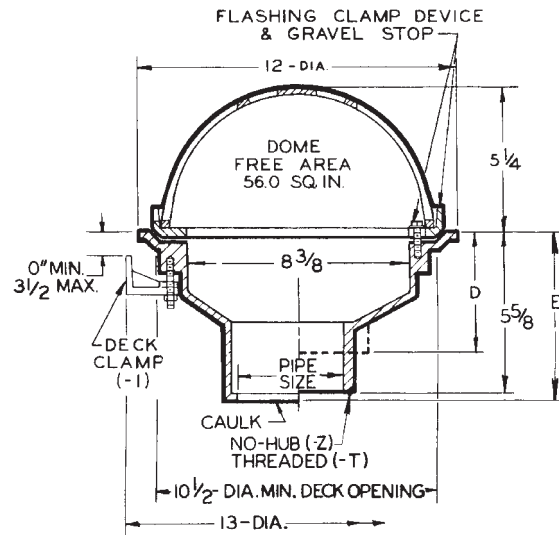
Used on mid-sized roofs of any construction where a medium-sized drain is required. Flashing clamp holds the membrane or flashing securely to the drain body. Medium-sized beehive dome provides ample drainage for smaller roof decks and intercepts debris.

SPECIFICATION

JOSAM 22010 Series coated cast iron Roof Drain, medium beehive dome, non-puncturing clamp ring with integral gravel stop and medium sump with roof flange and bottom outlet.

Available Options

- | | |
|---|---|
| -1 Deck Clamp Assembly | -19 Clamp Collar w/Perforated SS Gravel Guard |
| -1C Drain Receiver Clips (Min. Deck Opening 13.75" Dia.) | -20 Galvanized Cast Iron Parts |
| -2 Drain Receiver | -21 Galvanized Cast Iron Dome Only |
| -3 Deck Clamp Assembly and Drain Receiver | -23 Rough Bronze Dome |
| -3C Drain Receiver and Drain Receiver Clips | -VP Vandal-Proof Dome |
| -10 Fixed Ext. Collar, Cast Iron, (Specify Hgt) 1" Std. | OUTLETS: |
| -10-20 Fixed Ext. Collar, Galvanized, (Specify Hgt) 1" Std. | -66 No-Hub Side Outlet |
| -17 2" High Solid Clamping Collar | -T Threaded Outlet |
| | -X Inside Caulk Outlet |
| | -Z No-Hub Spigot Outlet |



FOR OUTLET TYPE SPECIFY -T, -X or -Z

TYPE NO.	PIPE SIZE	D	E	LBS.
22012	2	4-3/4	6-1/4	30
22013	3	4-3/4	6-1/4	30
22014	4	4-1/2	6-1/4	30
22015	5	4-3/8	6	30
22016	6	4	5-3/4	30

22080 SERIES

SMALL SUMP, High Dome

APPLICATION

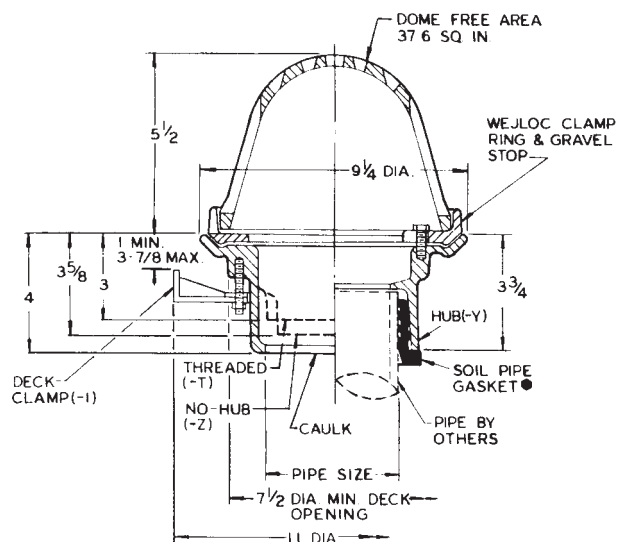
Used on smaller roofs, gutters or valleys of any construction. Small diameter pan is particularly adaptable to gutters and valleys where limited space is available. WEJLOC® compression flashing clamp holds the membrane or flashing to the drain body. Small beehive dome provides ample drainage for small roof decks, gutters and valleys, and intercepts debris.

SPECIFICATION

JOSAM 22080 Series coated cast iron Roof Drain with beehive dome, WEJLOC® non-puncturing clamp ring with integral gravel stop and small sump with roof flange and bottom outlet.

Available Options

- | | |
|--|------------------------------------|
| -1 Deck Clamp Assembly | -20 Galvanized Cast Iron Parts |
| -1C Drain Receiver Clips (Min. Deck Opening 10.75" Dia.) | -21 Galvanized Cast Iron Dome Only |
| -2 Drain Receiver | -23 Rough Bronze Dome |
| -3 Deck Clamp Assembly and Drain Receiver | -VP Vandal-Proof Dome |
| -3C Drain Receiver and Drain Receiver Clips | OUTLETS: |
| -10 Fixed Extension Collar, Cast Iron, (Specify Hgt) 1" Std. | * -TSO Threaded Side Outlet |
| -10 -20 Fixed Ext. Collar, Galv., (Specify Hgt) 1" Std. | -T Threaded Outlet |
| -17 2" High Solid Clamping Collar | -X Inside Caulk Outlet |
| | -Y Hub Outlet w/Gasket |
| | -Z No-Hub Spigot Outlet |



● CONFORMS WITH ASTM-C564.

FOR OUTLET TYPE SPECIFY -T, -X, -Y or -Z

TYPE NO.	PIPE SIZE	LBS.
22082	2	13
22083	3	13
22084	4	13

* Standard Drain Receiver cannot be used with -TSO option. Contact Factory.
Deck Clamp cannot be used with -TSO option in 4" size.