



Date: December 20, 1999
Subject: Gas Water Heater Conversion Policy
To: All Accounts

No. 137 Rev. 2

* This supersedes all previous letters and field bulletins concerning residential and commercial water heater conversion.

GAS WATER HEATER CONVERSION POLICY

All A.O. Smith Water Products Company's residential and commercial gas water heaters are designed certified by CSA or UL, under ANSI Standards for operation on one type of gas only, as indicated on the water heater's model number and rating plate.

A.O. Smith realizes that there may be certain situations where a field conversion may be necessary and in order to facilitate such a conversion, A. O. Smith complies with CSA or UL regulations ensuring that a field conversion be appropriately and safely completed.

An improper field conversion from one type of gas to another could cause potentially dangerous conditions that may cause an explosion or fire resulting in property damage, bodily injury or both.

A.O. SMITH WILL ONLY ALLOW THE CONVERSION OF GAS WATER HEATERS FROM LP GAS (PROPANE) TO NATURAL GAS. THE CONVERSION OF A GAS WATER HEATER FROM NATURAL GAS TO LP GAS (PROPANE) IS NOT ALLOWED UNDER ANY CIRCUMSTANCES.

A.O. Smith will provide kits as demand warrants through our Parts Department, phone no. 1-800-433-2545. Prices, dimensions and specifications are subject to change without notice.

Each conversion kit is to be installed by an A.O. Smith service agent or a gas utility serviceman in accordance with A.O. Smith's written instructions and all codes and requirements of the authority having jurisdiction. Failure to follow instructions could result in serious injury or property damage. The utility performing this work assumes responsibility for this conversion.

Changing the Input on Gas Water Heaters

The only changes to the input of a gas water heater allowed are:

- Adjustments to match that shown on the rating plate of the heater. The installation instructions supplied with the heater indicate if adjustments to input are a required procedure.
- Changes made as required to adjust the heater for proper operation at high altitude as determined by a qualified service technician. Service manuals include the proper procedure for adjusting heaters at high altitudes.

Conversion of Gas Water Heaters

The conversion of LP gas (Propane) to Natural gas is ONLY allowed providing:

- The conversion is done as part of a gas utility's program where propane appliances were installed anticipating the completion of natural gas service to the area. The conversion must be done under the direct supervision of the utility and by their service representatives.

Claims of damage or injury arising from the unauthorized conversion of any A.O. Smith water heater not design certified for conversion will be the complete and total responsibility of the person or entity making the conversion.

If you have any questions regarding the above policy, please contact the A.O. Smith Parts Department at 1-800-433-2545 or our Technical Information Center at 1-800-527-1953.

A.O. SMITH WATER PRODUCTS CO., INC.
5621 W. 115TH STREET • ALSIP, ILLINOIS 60803
PHONE: 1-800-433-2545
FAX: 1-800-433-2515 • www.hotwater.com

A.O. SMITH

WATER PRODUCTS COMPANY

PSD-3-427/a

GAS

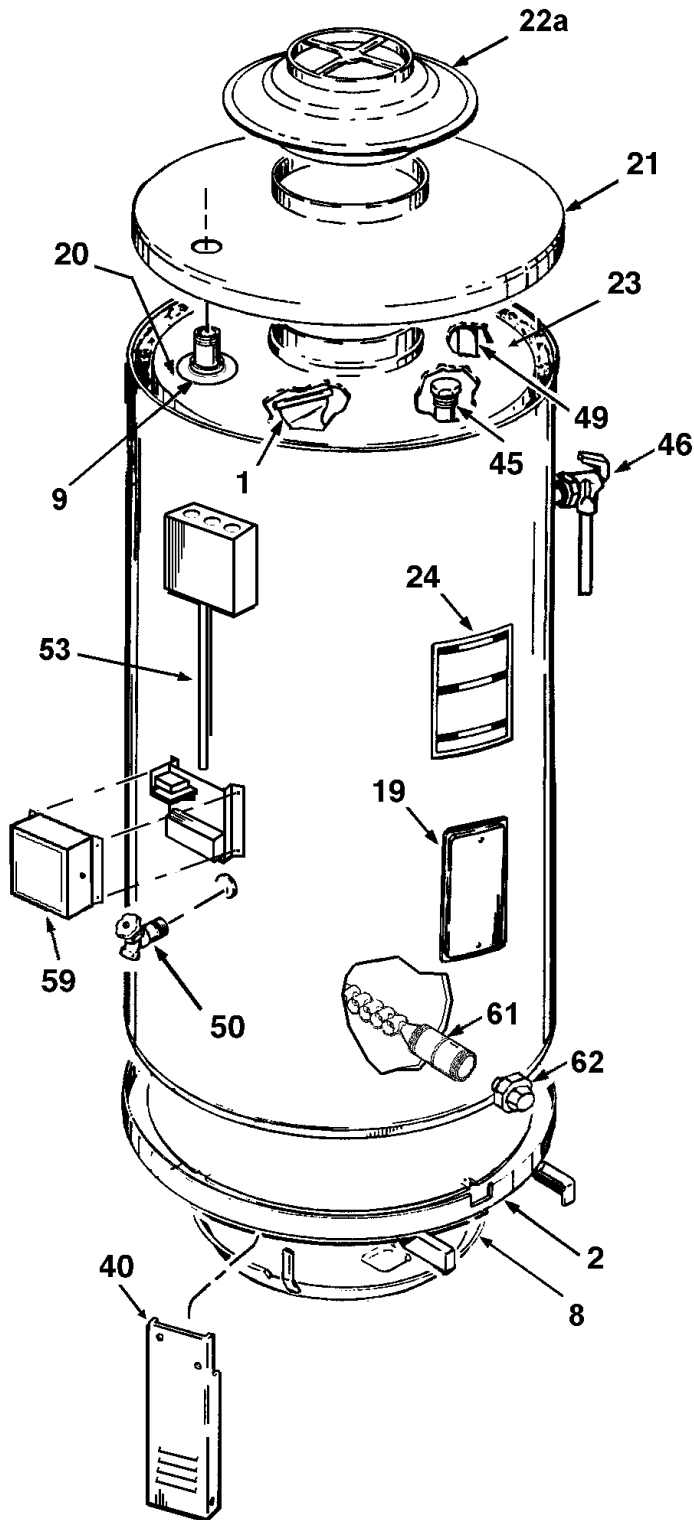
COMMERCIAL TANK TYPE WATER HEATER

REPLACEMENT PARTS LIST

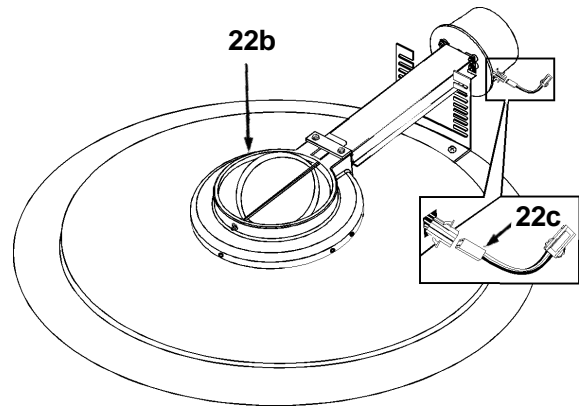
MODELS BTR(C) 120 THRU 500A:

STANDARD AND ASME (A)

SERIES 104/105/106/107

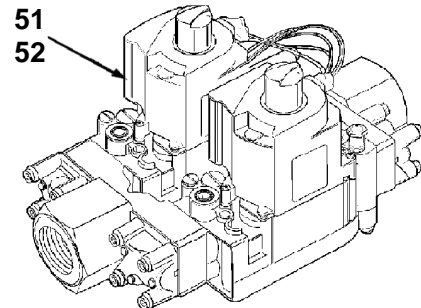


EFFIKAL DAMPER DRIVE ASSEMBLY

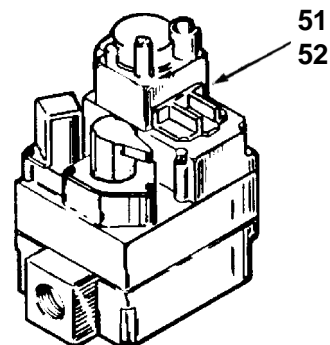


GAS VALVES

HONEYWELL VALVE BTR(C) 500A



WHITE RODGERS VALVE BTR(C) 120 - 400A



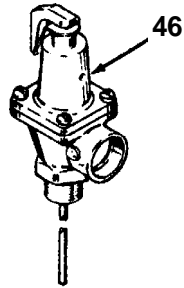
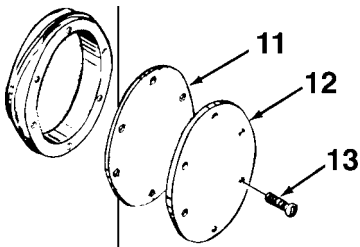
A.O. SMITH WATER PRODUCTS COMPANY

5621 W. 115TH STREET • ALSIP, ILLINOIS 60803

PHONE: 1-800-433-2545 • FAX: 1-800-433-2515

Website: www.aosmithwaterheaters.com

CLEANOUT ASSEMBLY



WIRE TERMINALS



78468

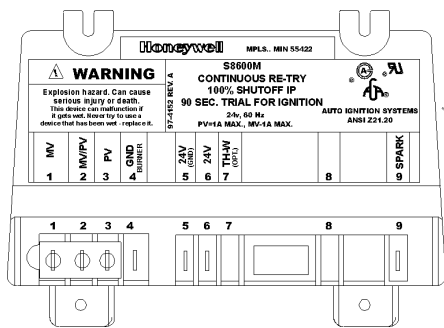


99593(.250 X .032)

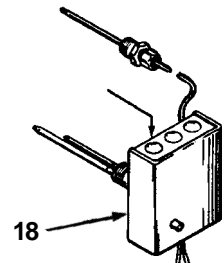
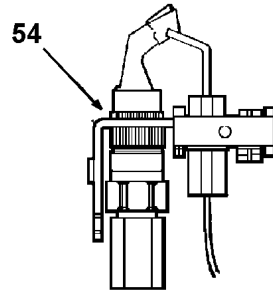


78469 (.250 X .032)
192834 (.187 X .032)

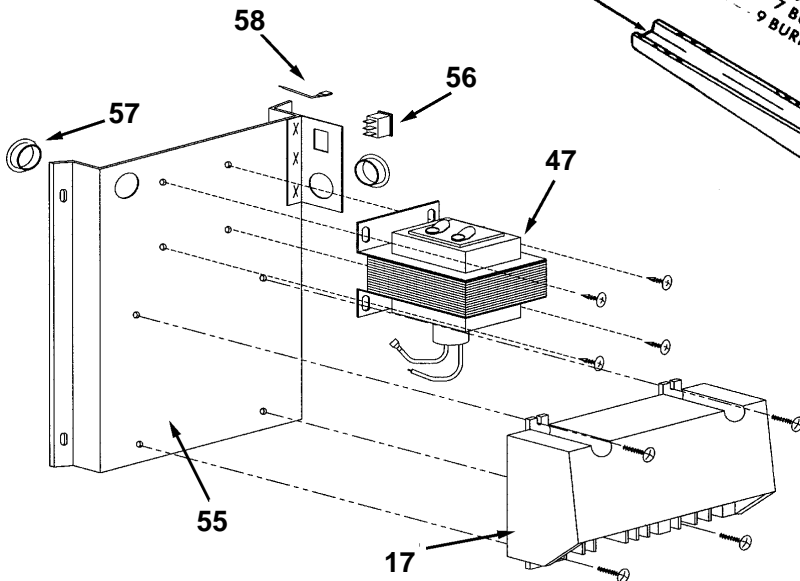
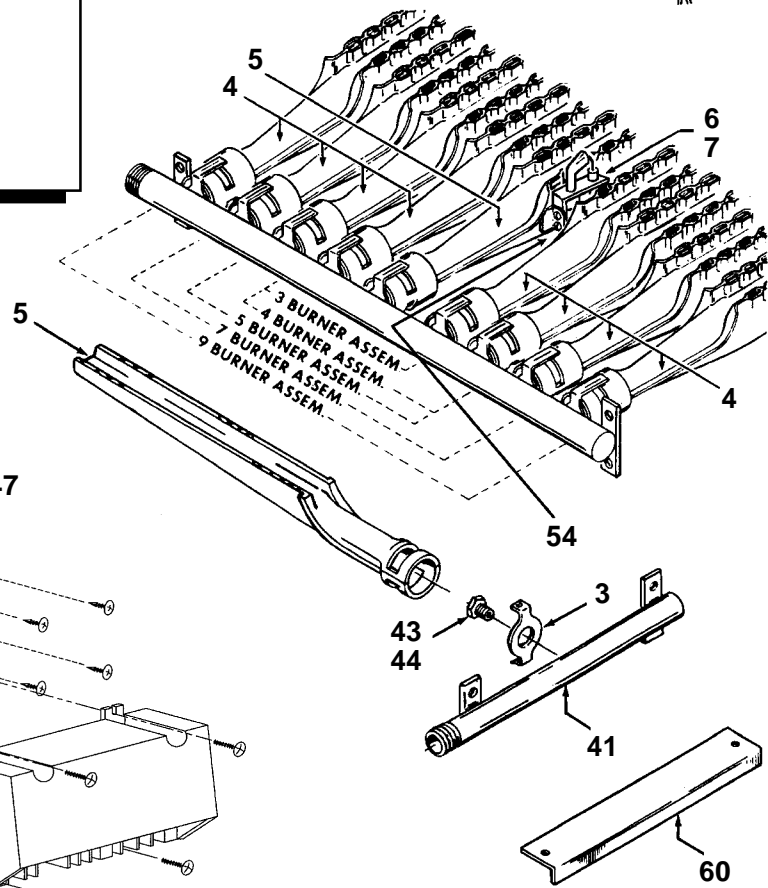
HONEYWELL CONTROL IGNITION MODULE



17



18



ITEM	PARTS DESCRIPTION	BTR 120	BTR 154	BTR 180	BTR 197	BTR 198
1	Flue Baffle	193595	192199-3	193795-1	193696	193696
2	Jacket Base	193862	193862	193819	193819	193819
3	Main Burner Orifice Bracket	98044(3)	98044(3)	98044(5)	98044(5)	98044(5)
4	Main Burner	98047	98047	98047	98047	98047
5	Main Burner w/Pilot Bracket	193873-1	193873-1	193873-1	193873-1	193873-1
6	Pilot Burner, Natural	<u>193314-4</u>	<u>193314-4</u>	<u>193314-4</u>	<u>193314-4</u>	<u>193314-4</u>
7	Pilot Burner, LP	<u>193314-3</u>	<u>193314-3</u>	<u>193314-3</u>	<u>193314-3</u>	<u>193314-3</u>
8	Floor Shield Assembly	193864	193864	193824	193824	193824
9	Collar	74060	74060	74060	74060	74060
CLEANOUT ASSEMBLY						
11	Gasket	99038	99038	99038	99038	99038
12	Pressure Plate	99037	99037	99037	99037	99037
13	Screws, Self Tapping	69852	69852	69852	69852	69852
17	Control, Ignition Module	<u>193325</u>	<u>193325</u>	<u>193325</u>	<u>193325</u>	<u>193325</u>
18	Control, Dual w/ECO	<u>192828</u>	<u>192828</u>	<u>192828</u>	<u>192828</u>	<u>192828</u>
19	Cover, Cleanout	181260	181260	181260	181260	181260
20	Cover, Inner	193393-1	193393-2	193608	193608	193608
21	Jacket Cover	97062-6	97062-6	97062-7	97062-7	97062-7
22a	Drafthood	193596	193596-1	191790	191790	191790
22b	Damper Drive Assembly	194484	194484	194484	194484	194484
22c	Harness Adapter	194459	194459	194459	194459	194459
23	Top Insulation	41560-56	41560-56	192867	192867	192867
LABELS						
24	L&O Label	193620	193620	193620	193620	193620
26	Cleanout	193914	193914	193914	193914	193914
27	*Bilingual Instruction	193912	193912	193912	193912	193912
28	*Ultra Coat	193860	193860	193860	193860	193860
29	*ECO Instruction	193911	193911	193911	193911	193911
30	*Flammable Vapors	192872	192872	192872	192872	192872
31	*Help Line	190600	190600	190600	190600	190600
32	*Instruction	170345	170345	170345	170345	170345
33	*Master Fit	193859	193859	193859	193859	193859
34	*Pilot	193915	193915	193915	193915	193915
35	*Propane	182572	182572	182572	182572	182572
36	*Relief Valve	200042	200042	200042	200042	200042
37	*Water Inlet	161040	161040	161040	161040	161040
38	*Water Outlet	161040-1	161040-1	161040-1	161040-1	161040-1
39	*Wiring Diagram	193621	193621	193621	193621	193621
40	Leg	193826	193826	193826	193826	193826
41	Manifold	76244	76244	76244-2	76244-2	76244-2
42	*Instruction Manual	195779	195779	195779	195779	195779
43	Main Burner Orifice, Natural	<u>76243-32</u>	<u>76243-30</u>	<u>76243-35</u>	<u>76243-32</u>	<u>76243-32</u>
44	Main Burner Orifice, LP	<u>76243-49</u>	<u>76243-46</u>	<u>76243-51</u>	<u>76243-49</u>	<u>76243-49</u>
45	Anode Rod	43817-38	43817-38	43817-38	43817-42	43817-42
46	T&P Relief Valve	99465-7	99465-7	99465-7	99465-7	99465-7
47	Transformer	193444	193444	193444	193444	193444
48	*Pilot Tubing	1417-60	1417-60	1417-60	1417-60	1417-60
49	Inlet Tube	193729	192626	193729	192626	192626
50	Drain Valve	26273-6	26273-6	26273-6	26273-6	26273-6
51	Gas Valve Natural	<u>192827</u>	<u>192827</u>	<u>192827</u>	<u>192827</u>	<u>192827</u>
52	Gas Valve LP	<u>192827-1</u>	<u>192827-1</u>	<u>192827-1</u>	<u>192827-1</u>	<u>192827-1</u>
53	Wire Conduit	193456-1	193456-1	193456-1	193456-1	193456-1
54	Ground Wire	77948-7	77948-7	77948-7	77948-7	77948-7
55	Switch Panel/Mounting Plate	193448	193448	193448	193448	193448
56	Off/On Switch	193243	193243	193243	193243	193243
57	Bushing	193404	193404	193404	193404	193404
58	Jumper Wire	193476	193476	193476	193476	193476
59	Control Box Panel	193447	193447	193447	193447	193447
60	Cover - Burner	98185	98185	98185-2	98185-2	98185-2
61	The Eliminator	195100	195100	195098	195098	195098
62	Galvanized Pipe Union, 1 1/2"	195127	195127	195127	195127	195127

ITEM	PARTS DESCRIPTION	BTR 199	BTR 200/A	BTR 250/A	BTR 251/A	BTR 275/A
1	Flue Baffle	193795-1	193889	193595	193595	193945
2	Jacket Base	193819	192095	192095	193919	192095
3	Main Burner Orifice Bracket	98044(5)	98044(5)	098044(5)	098044(7)	098044(5)
4	Main Burner	98047	98047	98047	98047	98047
5	Main Burner w/Pilot Bracket	193873-1	193873-1	193873-1	193873-1	193873-1
6	Pilot Burner, Natural	<u>193314-4</u>	<u>193314-4</u>	<u>193314-4</u>	<u>193314-4</u>	<u>193314-4</u>
7	Pilot Burner, LP	<u>193314-3</u>	<u>193314-3</u>	<u>193314-3</u>	<u>193314-3</u>	<u>193314-3</u>
8	Floor Shield Assembly	193824	170259-3	193943	193864-1	193943
9	Collar	74060	74060	74060	74060	74060
CLEANOUT ASSEMBLY						
11	Gasket	99038	99038	99038	99038	99038
12	Pressure Plate	99037	99037	99037	99037	99037
13	Screws, Self Tapping	69852	69852	69852	69852	69852
17	Control, Ignition Module	<u>193325</u>	<u>193325</u>	<u>193325</u>	<u>193325</u>	<u>193325</u>
18	Control, Dual w/ECO	<u>192828</u>	<u>192828</u>	<u>192828</u>	<u>192828</u>	<u>192828</u>
19	Cover, Cleanout	181260	181260	181260	181260	181260
20	Cover, Inner	193608	193392	193392	193391	193392
21	Jacket Cover	97062-7	170256	170256	97062	170256
22a	Drafthood	191790	191790	193891	193891	193891
22b	Damper Drive Assembly	194484	194484	194484	194484	194484
22c	Harness Adapter	194459	194459	194459	194459	194459
23	Top Insulation	192867	192867	192867	41560-56	192867
LABELS						
24	L&O Label	193620	193620	193620	193620	193620
26	Cleanout	193914	193914	193914	193914	193914
27	*Bilingual Instruction	193912	193912	193912	193912	193912
28	*Ultra Coat	193860	193860	193860	193860	193860
29	*ECO Instruction	193911	193911	193911	193911	193911
30	*Flammable Vapors	192872	193911	192872	192872	192872
31	*Help Line	190600	190600	190600	190600	190600
32	*Instruction	170345	170345	170345	170345	170345
33	*Master Fit	193859	193859	193859	193859	193859
34	*Pilot	193915	193915	193915	193915	193915
35	*Propane	182572	182572	182572	182572	182572
36	*Relief Valve	200042	200042	200042	200042	200042
37	*Water Inlet	161040	161040	161040	161040	161040
38	*Water Outlet	161040-1	161040-1	161040-1	161040-1	161040-1
39	*Wiring Diagram	193621	193621	193621	193621	193621
40	Leg	193826	193826	193826	193826	193826
41	Manifold	76244-2	76244-2	76244-2	76244-3	76244-2
42	*Instruction Manual	195779	195779	195779	195779	195779
43	Main Burner Orifice, Natural	<u>76243-32</u>	<u>76243-32</u>	<u>76243-30</u>	<u>76243-33</u>	<u>76243-29</u>
44	Main Burner Orifice, LP	<u>76243-49</u>	<u>76243-48</u>	<u>76243-45</u>	<u>76243-51</u>	<u>76243-44</u>
45	Anode Rod	43817-38	180618-42	180618-42	43817-38	180618-42
46	T&P Relief Valve	99465-7	99465-7	192467	192467	192467
47	Transformer	193444	193444	193444	193444	193444
48	*Pilot Tubing	193729	1417-60	1417-60	1417-60	1417-60
49	Inlet Tube	193729	193729	192626	na	192626
50	Drain Valve	26273-6	26273-6	26273-6	26273-6	26273-6
51	Gas Valve Natural	<u>192827</u>	<u>192827</u>	<u>192827</u>	<u>192827</u>	<u>192827</u>
52	Gas Valve LP	<u>192827-1</u>	<u>192827-1</u>	<u>192827-1</u>	<u>192827-1</u>	<u>192827-1</u>
53	Wire Conduit	193456-1	193456-1	193456-1	193456-1	193456-1
54	Ground Wire	193448	77948-7	77948-7	77948-7	77948-7
55	Switch Panel/Mounting Plate	193448	193448	193448	193448	193448
56	Off/On Switch	193243	193243	193243	193243	193243
57	Bushing	193404	193404	193404	193404	193404
58	Jumper Wire	193476	193476	193476	193476	193476
59	Control Box Panel	193447	193447	193447	193447	193447
60	Cover - Burner	98185-2	98185-2	98185-2	98185-3	98185-2
61	The Eliminator	195098	195098	195098	195102	195098
62	Galvanized Pipe Union, 1 1/2"	195127	195127	195127	195127	195127

ITEM	PARTS DESCRIPTION	BTR 305/A	BTR 365/A	BTR 400/A	BTR 500/A
1	Flue Baffle	193595	193696	193995	193995
2	Jacket Base	193919	193986	193999	193986
3	Main Burner Orifice Bracket	098044(7)	098044(9)	098044(9)	098044(9)
4	Main Burner	192322	98047	192322	192322
5	Main Burner w/Pilot Bracket	193873	193873-1	193873	193873
6	Pilot Burner, Natural	193314-4	193314-4	193314-4	193314-4
7	Pilot Burner, LP	193314-3	193314-3	193314-3	193314-3
8	Floor Shield Assembly	193864-1	193984	193997	193984
9	Collar	74060	74060	74060	74060
CLEANOUT ASSEMBLY					
11	Gasket	99038	99038	99038	99038
12	Pressure Plate	99037	99037	99037	99037
13	Screws, Self Tapping	69852	69852	69852	69852
17	Control, Ignition Module	193325	193325	193325	193325
18	Control, Dual w/ECO	192828	192828	192828	192828
19	Cover, Cleanout	181260	181260	181260	181260
20	Cover, Inner	193391	193608	193392	193608
21	Jacket Cover	97062	97062-7	170256	97062-7
22a	Drafthood	193891	193891	193891	193891
22b	Damper Drive Assembly	194484	194484	194484	194484
22c	Harness Adapter	194459	194459	194459	194459
23	Top Insulation	41560-56	192867	192867	192867
LABELS					
24	L&O Label	193620	193620	193620	194008
26	Cleanout	193914	193914	193914	193914
27	*Bilingual Instruction	193912	193912	193912	193912
28	*Ultra Coat	193860	193860	193860	193860
29	*ECO Instruction	193911	193911	193911	193911
30	*Flammable Vapors	192872	192872	192872	192872
31	*Help Line	190600	190600	190600	190600
32	*Instruction	170345	170345	170345	170345
33	*Master Fit	193859	193859	193859	193859
34	*Pilot	193915	193915	193915	193915
35	*Propane	182572	182572	182572	182572
36	*Relief Valve	200042	200042	200042	200042
37	*Water Inlet	161040-0	161040-0	161040-0	161040-0
38	*Water Outlet	161040-1	161040-1	161040-1	161040-1
39	*Wiring Diagram	193621	193621	193621	193621
40	Leg	193826	193826	193826	194093
41	Manifold	76244-3	76244-4	76244-4	76244-4
42	*Instruction Manual	195779	195779	195779	195779
43	Main Burner Orifice, NAT	76243-37	76243-32	76243-31	76243-28
44	Main Burner Orifice, LP	76243-48	76243-49	76243-48	76243-44
45	Anode Rod	43817-38	180618-42	180618-42	180618-42
46	T&P Relief Valve	192467	192467	192467	192467
47	Transformer	193444	193444	193444	193444
48	*Pilot Tubing	1417-60	1417-60	1417-60	1417-60
49	Inlet Tube	na	192626	192626	192626
50	Drain Valve	26273-6	26273-6	26273-6	26273-6
51	Gas Valve Natural	192827-2	192827-2	192827-2	193366-0
52	Gas Valve LP	192827-3	192827-3	192827-3	193366-1
53	Wire Conduit	193456-1	193456-1	193456-1	193456-1
54	Ground Wire	77948-7	77948-7	77948-7	77948-7
55	Switch Panel/Mounting Plate	193448	193448	193448	193448
56	Off/On Switch	193243	193243	193243	193243
57	Bushing	193404	193404	193404	193404
58	Jumper Wire	193476	193476	193476	193476
59	Control Box Panel	193447	193447	193447	193447
60	Cover - Burner	98185-3	98185-4	98185-4	194111
61	The Eliminator	195102	195098	195098	195102
62	Galvanized Pipe Union, 1 1/2"	195127	195127	195127	195127

ITEM	PARTS DESCRIPTION	BTRC120	BTRC154	BTRC180	BTRC197	BTRC199
1	Flue Baffle	193595	192199-3	193795-0	193696	193795-0
2	Jacket Base	193862	193862	194166	194166	194166
3	Main Burner Orifice Bracket	98044(3)	98044(3)	98044(5)	98044(5)	98044(5)
4	Main Burner	98047	98047	98047	98047	98047
5	Main Burner w/Pilot Bracket	193873-1	193873-1	193873-1	193873-1	193873-1
6	Pilot Burner, Natural	<u>193314-4</u>	<u>193314-4</u>	<u>193314-4</u>	<u>193314-4</u>	<u>193314-4</u>
7	Pilot Burner, LP	<u>193314-3</u>	<u>193314-3</u>	<u>193314-3</u>	<u>193314-3</u>	<u>193314-3</u>
8	Floor Shield Assembly	193864	193864	194176	194176	194176
9	Collar	74060	74060	74060	74060	74060
CLEANOUT ASSEMBLY						
11	Gasket	99038	99038	99038	99038	99038
12	Pressure Plate	99037	99037	99037	99037	99037
13	Screws, Self Tapping	69852	69852	69852	69852	69852
17	Control, Ignition Module	<u>193325</u>	<u>193325</u>	<u>193325</u>	<u>193325</u>	<u>193325</u>
18	Control, Dual w/ECO	<u>192828</u>	<u>192828</u>	<u>192828</u>	<u>192828</u>	<u>192828</u>
19	Cover, Cleanout	181260	181260	181260	181260	181260
20	Cover, Inner	193393-1	193393-2	193608	193608	193608
21	Jacket Cover	97062-6	97062-6	97062-7	97062-7	97062-7
22a	Draft Hood	193596	193596-1	193596-1	193596-1	193596-1
22b	Damper Drive Assembly	194484	194484	194484	194484	194484
22c	Harness Adapter	194459	194459	194459	194459	194459
23	Top Insulation	41560-56	41560-56	192867	192867	192867
LABELS						
24	L&O Label	193620	193620	193620	193620	193620
26	Cleanout	193914	193914	193914	193914	193914
27	*Bilingual Instruction	193912	193912	193912	193912	193912
28	*Ultra Coat	193860	193860	193860	193860	193860
29	*ECO Instruction	193911	193911	193911	193911	193911
30	*Flammable Vapors	192872	192872	192872	192872	192872
31	*Help Line	194179	194179	194179	194179	194179
32	*Instruction	194051	194051	194051	194051	194051
33	*Master Fit	193859	193859	193859	193859	193859
34	*Pilot	193915	193915	193915	193915	193915
35	*Propane	182572	182572	182572	182572	182572
36	*Relief Valve	200042	200042	200042	200042	200042
37	*Water Inlet	161040	161040	161040	161040	161040
38	*Water Outlet	161040-1	161040-1	161040-1	161040-1	161040-1
39	*Wiring Diagram	193621	193621	193621	193621	193621
40	Leg	193826	193826	193826	193826	193826
41	Manifold	76244-0	76244-0	76244-2	76244-2	76244-2
42	*Instruction Manual	195779	195779	195779	195779	195779
43	Main Burner Orifice, Natural	<u>76243-32</u>	<u>76243-30</u>	<u>76243-35</u>	<u>76243-32</u>	<u>76243-32</u>
44	Main Burner Orifice, LP	<u>76243-49</u>	<u>76243-46</u>	<u>76243-51</u>	<u>76243-49</u>	<u>76243-49</u>
45	Anode Rod	43817-38	43817-38	43817-38	43817-42	43817-38
46	T&P Relief Valve	99465-7	99465-7	99465-7	99465-7	99465-7
47	Transformer	193444	193444	193444	193444	193444
48	*Pilot Tubing	1417-60	1417-60	1417-60	1417-60	1417-60
49	Inlet Tube	193729	192626	193729	192626	193729
50	Drain Valve	26273-6	26273-6	26273-6	26273-6	26273-6
51	Gas Valve Natural	<u>192827</u>	<u>192827</u>	<u>192827</u>	<u>192827</u>	<u>192827</u>
52	Gas Valve LP	<u>192827-1</u>	<u>192827-1</u>	<u>192827-1</u>	<u>192827-1</u>	<u>192827-1</u>
53	Wire Conduit	193456-1	193456-1	193456-1	193456-1	193456-1
54	Ground Wire	77948-7	77948-7	77948-7	77948-7	77948-7
55	Switch Panel/Mounting Plate	193448	193448	193448	193448	193448
56	Off/On Switch	193243	193243	193243	193243	193243
57	Bushing	193404	193404	193404	193404	193404
58	Jumper Wire	193476	193476	193476	193476	193476
59	Control Box Panel	193447	193447	193447	193447	193447
60	Cover - Burner	98185	98185	98185-2	98185-2	98185-2
61	The Eliminator	195100	195100	195100	195100	195100
62	Galvanized Pipe Union, 1 1/2"	195127	195127	195127	195127	195127

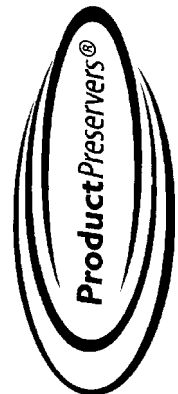
ITEM	PARTS DESCRIPTION	BTRC200/A	BTRC250/A	BTRC251/A	BTRC275/A	BTRC305/A
1	Flue Baffle	193889	193595	193595	193945	193595
2	Jacket Base	192095	192095	193919	192095	193919
3	Main Burner Orifice Bracket	98044(5)	98044(5)	98044(7)	98044(5)	98044(7)
4	Main Burner	98047	98047	98047	98047	192322
5	Main Burner w/Pilot Bracket	193873-1	193873-1	193873-1	193873-1	193873
6	Pilot Burner, Natural	<u>193314-4</u>	<u>193314-4</u>	<u>193314-4</u>	<u>193314-4</u>	<u>193314-4</u>
7	Pilot Burner, LP	<u>193314-3</u>	<u>193314-3</u>	<u>193314-3</u>	<u>193314-3</u>	<u>193314-3</u>
8	Floor Shield Assembly	170259-3	193943	193864-1	193943	193864-1
9	Collar	74060	74060	na	74060	na
CLEANOUT ASSEMBLY						
11	Gasket	99038	99038	99038	99038	99038
12	Pressure Plate	99037	99037	99037	99037	99037
13	Screws, Self Tapping	69852	69852	69852	69852	69852
17	Control, Ignition Module	<u>193325</u>	<u>193325</u>	<u>193325</u>	<u>193325</u>	<u>193325</u>
18	Control, Dual w/ECO	<u>192828</u>	<u>192828</u>	<u>192828</u>	<u>192828</u>	<u>192828</u>
19	Cover, Cleanout	181260	181260	181260	181260	181260
20	Cover, Inner	193392	193393-2	193608	193608	193608
21	Jacket Cover	170256	97062-6	97062-7	97062-7	97062-7
22a	Drafthood	191790	193891	193891	193891	193891
22b	Damper Drive Assembly	194484	194484	194484	194484	194484
22c	Harness Adapter	194459	194459	194459	194459	194459
23	Top Insulation	192867	41560-56	192867	192867	192867
LABELS						
24	L&O Label	193620	193620	193620	193620	193620
26	Cleanout	193914	193914	193914	193914	193914
27	*Bilingual Instruction	193912	193912	193912	193912	193912
28	*Ultra Coat	193860	193860	193860	193860	193860
29	*ECO Instruction	193911	193911	193911	193911	193911
30	*Flammable Vapors	192872	192872	192872	192872	192872
31	*Help Line	194179	194179	194179	194179	194179
32	*Instruction	194051	194051	194051	194051	194051
33	*Master Fit	193859	193859	193859	193859	193859
34	*Pilot	193915	193915	193915	193915	193915
35	*Propane	182572	182572	182572	182572	182572
36	*Relief Valve	200042	200042	200042	200042	200042
37	*Water Inlet	161040	161040	161040	161040	161040
38	*Water Outlet	161040-1	161040-1	161040-1	161040-1	161040-1
39	*Wiring Diagram	193621	193621	193621	193621	193621
40	Leg	193826	193826	193826	193826	193826
41	Manifold	76244	76244	76244-2	76244-2	76244-2
42	*Instruction Manual	195779	195779	195779	195779	195779
43	Main Burner Orifice, Natural	<u>76243-32</u>	<u>76243-30</u>	<u>76243-35</u>	<u>76243-32</u>	<u>76243-32</u>
44	Main Burner Orifice, LP	<u>76243-48</u>	<u>76243-46</u>	<u>76243-51</u>	<u>76243-49</u>	<u>76243-49</u>
45	Anode Rod	180618-42	43817-38	43817-38	43817-42	43817-38
46	T&P Relief Valve	199467-7	192467	192467	192467	192467
47	Transformer	193444	193444	193444	193444	193444
48	*Pilot Tubing	1417-60	1417-60	1417-60	1417-60	1417-60
49	Inlet Tube	193729	192626	193729	192626	193729
50	Drain Valve	26273-6	26273-6	26273-6	26273-6	26273-6
51	Gas Valve Natural	<u>192827</u>	<u>192827</u>	<u>192827</u>	<u>192827</u>	<u>192827</u>
52	Gas Valve LP	<u>192827-1</u>	<u>192827-1</u>	<u>192827-1</u>	<u>192827-1</u>	<u>192827-1</u>
53	Wire Conduit	193456-1	193456-1	193456-1	193456-1	193456-1
54	Ground Wire	77948-7	77948-7	77948-7	77948-7	77948-7
55	Switch Panel/Mounting Plate	193448	193448	193448	193448	193448
56	Off/On Switch	193243	193243	193243	193243	193243
57	Bushing	193404	193404	193404	193404	193404
58	Jumper Wire	193476	193476	193476	193476	193476
59	Control Box Panel	193447	193447	193447	193447	193447
60	Cover - Burner	98185-2	98185-2	98185-2	98185-2	98185-2
61	The Eliminator	195098	195098	195102	195098	195102
62	Galvanized Pipe Union, 1 1/2"	195127	195127	195127	195127	195127

ITEM	PARTS DESCRIPTION	BTRC365/A	BTRC400/A	BTRC500/A
1	Flue Baffle	193945	193995	193995
2	Jacket Base	194164	193999	193986
3	Main Burner Orifice Bracket	098044(9)	098044(9)	098044(9)
4	Main Burner	98047	192322	98047
5	Main Burner w/Pilot Bracket	193873-1	193873-1	193873-1
6	Pilot Burner, Natural	<u>193314-4</u>	<u>193314-4</u>	<u>193314-4</u>
7	Pilot Burner, LP	<u>193314-3</u>	<u>193314-3</u>	<u>193314-3</u>
8	Floor Shield Assembly	194176	193997	193984
9	Collar	74060	74060	74060
CLEANOUT ASSEMBLY				
11	Gasket	99038	99038	99038
12	Pressure Plate	99037	99037	99037
13	Screws, Self Tapping	69852	69852	69852
17	Control, Ignition Module	<u>193325</u>	<u>193325</u>	<u>193325</u>
18	Control, Dual w/ECO	<u>192828</u>	<u>192828</u>	<u>192828</u>
19	Cover, Cleanout	181260	181260	181260
20	Cover, Inner	193608	193392	193608
21	Jacket Cover	97062-7	170256	97062-7
22a	Drafthood	193891	193891	193891
22b	Damper Drive Assembly	194484	194484	194484
22c	Harness Adapter	194459	194459	194459
23	Top Insulation	192867	192867	192867
LABELS				
24	L&O Label	193620	193620	194008
26	Cleanout	193914	193914	193914
27	*Bilingual Instruction	193912	193912	193912
28	*Ultra Coat	193860	193860	193860
29	*ECO Instruction	193911	193911	193911
30	*Flammable Vapors	192872	192872	192872
31	*Help Line	194179	194179	194179
32	*Instruction	194051	194051	194051
33	*Master Fit	193859	193859	193859
34	*Pilot	193915	193915	193915
35	*Propane	182572	182572	182572
36	*Relief Valve	200042	200042	200042
37	*Water Inlet	161040	161040	161040
38	*Water Outlet	161040-1	161040-1	161040-1
39	*Wiring Diagram	193621	193621	193621
40	Leg	193826	193826	194093
41	Manifold	76244-4	76244-4	76244-4
42	*Instruction Manual	195779	195779	195779
43	Main Burner Orifice, Natural	<u>76243-32</u>	<u>76243-31</u>	<u>76243-29</u>
44	Main Burner Orifice, LP	<u>76243-49</u>	<u>76243-48</u>	<u>76243-44</u>
45	Anode Rod	180618-42	180618-42	180618-42
46	T&P Relief Valve	192467	192467	192467
47	Transformer	193444	193444	193444
48	*Pilot Tubing	1417-60	1417-60	1417-60
49	Inlet Tube	192626	192626	192626
50	Drain Valve	26273-6	26273-6	26273-6
51	Gas Valve Natural	<u>192827-2</u>	<u>192827-2</u>	<u>193366</u>
52	Gas Valve LP	<u>192827-3</u>	<u>192827-3</u>	<u>193366-1</u>
53	Wire Conduit	193456-1	193456-1	193456-1
54	Ground Wire	77948-7	77948-7	77948-7
55	Switch Panel/Mounting Plate	193448	193448	193448
56	Off/On Switch	193243	193243	193243
57	Bushing	193404	193404	193404
58	Jumper Wire	193476	193476	193476
59	Control Box Panel	193447	193447	193447
60	Cover - Burner	98185-2	98185-2	98185-2
61	The Eliminator	195102	195098	195100
62	Galvanized Pipe Union, 1 1/2"	195127	195127	195127

NOTE: Underlined parts are recommended stock items for emergency replacement.
Consider gas used in your area only. *Not illustrated.

A. O. SMITH WATER PRODUCTS COMPANY
5621 W. 115TH STREET • ALSIP, ILLINOIS 60803
PHONE: 1-800-433-2545 • FAX: 1-800-433-2515
Website: www.aosmithwaterheaters.com

**A. O. SMITH
WATER PRODUCTS
COMPANY**
PSD / Alsip, IL



A.O. SMITH

WATER PRODUCTS COMPANY

PSD-3-427/a

GAS

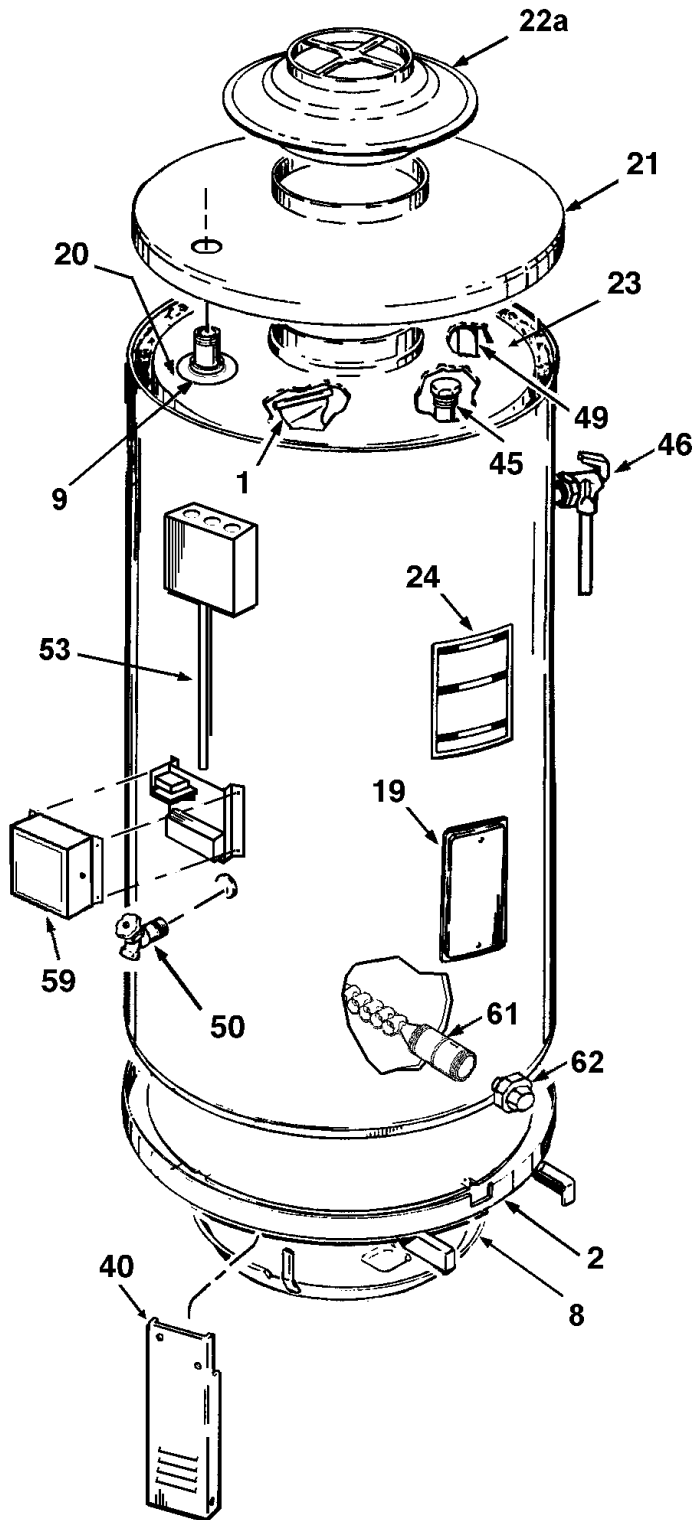
COMMERCIAL TANK TYPE WATER HEATER

REPLACEMENT PARTS LIST

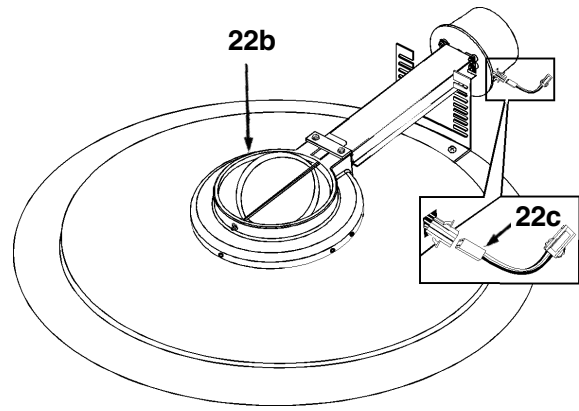
MODELS BTR(C) 120 THRU 500A:

STANDARD AND ASME (A)

SERIES 104/105/106/107

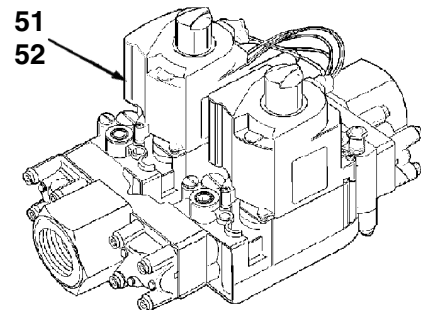


EFFIKAL DAMPER DRIVE ASSEMBLY

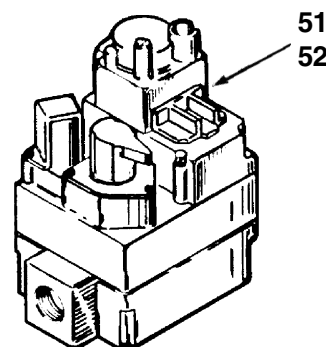


GAS VALVES

HONEYWELL VALVE BTR(C) 500A



WHITE RODGERS VALVE BTR(C) 120 - 400A



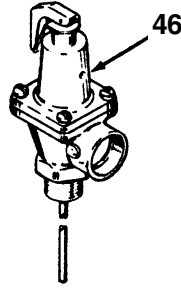
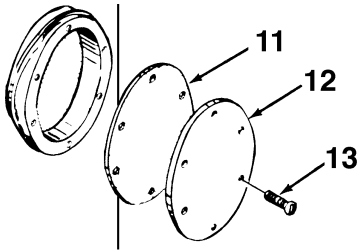
A.O. SMITH WATER PRODUCTS COMPANY

5621 W. 115TH STREET • ALSIP, ILLINOIS 60803

PHONE: 1-800-433-2545 • FAX: 1-800-433-2515

Website: www.aosmithwaterheaters.com

CLEANOUT ASSEMBLY



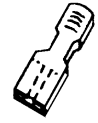
WIRE TERMINALS



78468

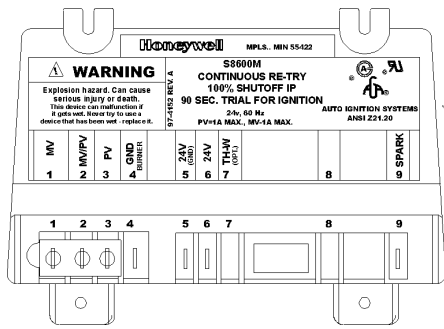


99593(.250 X .032)

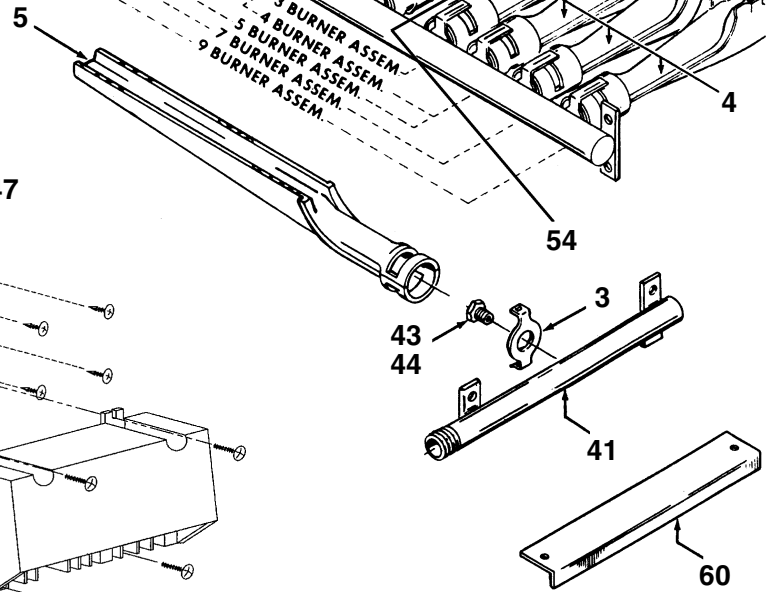
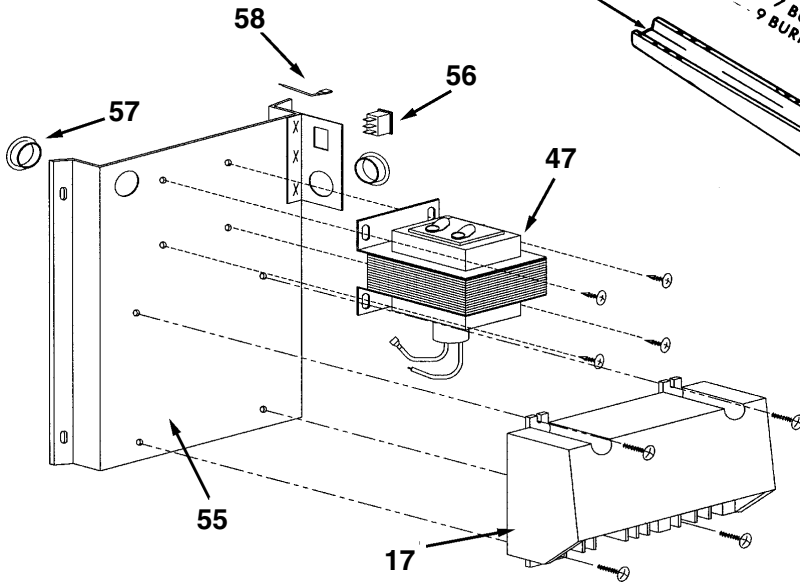
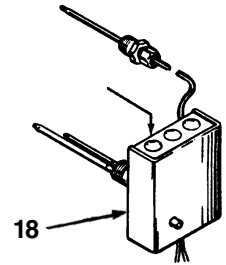
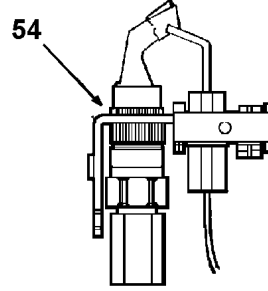


78469 (.250 X .032)
192834 (.187 X .032)

HONEYWELL CONTROL IGNITION MODULE



17



ITEM	PARTS DESCRIPTION	BTR 120	BTR 154	BTR 180	BTR 197	BTR 198
1	Flue Baffle	193595	192199-3	193795-1	193696	193696
2	Jacket Base	193862	193862	193819	193819	193819
3	Main Burner Orifice Bracket	98044(3)	98044(3)	98044(5)	98044(5)	98044(5)
4	Main Burner	98047	98047	98047	98047	98047
5	Main Burner w/Pilot Bracket	193873-1	193873-1	193873-1	193873-1	193873-1
6	Pilot Burner, Natural	<u>193314-4</u>	<u>193314-4</u>	<u>193314-4</u>	<u>193314-4</u>	<u>193314-4</u>
7	Pilot Burner, LP	<u>193314-3</u>	<u>193314-3</u>	<u>193314-3</u>	<u>193314-3</u>	<u>193314-3</u>
8	Floor Shield Assembly	193864	193864	193824	193824	193824
9	Collar	74060	74060	74060	74060	74060
CLEANOUT ASSEMBLY						
11	Gasket	99038	99038	99038	99038	99038
12	Pressure Plate	99037	99037	99037	99037	99037
13	Screws, Self Tapping	69852	69852	69852	69852	69852
17	Control, Ignition Module	<u>193325</u>	<u>193325</u>	<u>193325</u>	<u>193325</u>	<u>193325</u>
18	Control, Dual w/ECO	<u>192828</u>	<u>192828</u>	<u>192828</u>	<u>192828</u>	<u>192828</u>
19	Cover, Cleanout	181260	181260	181260	181260	181260
20	Cover, Inner	193393-1	193393-2	193608	193608	193608
21	Jacket Cover	97062-6	97062-6	97062-7	97062-7	97062-7
22a	Drafthood	193596	193596-1	191790	191790	191790
22b	Damper Drive Assembly	194484	194484	194484	194484	194484
22c	Harness Adapter	194459	194459	194459	194459	194459
23	Top Insulation	41560-56	41560-56	192867	192867	192867
LABELS						
24	L&O Label	193620	193620	193620	193620	193620
26	Cleanout	193914	193914	193914	193914	193914
27	*Bilingual Instruction	193912	193912	193912	193912	193912
28	*Ultra Coat	193860	193860	193860	193860	193860
29	*ECO Instruction	193911	193911	193911	193911	193911
30	*Flammable Vapors	192872	192872	192872	192872	192872
31	*Help Line	190600	190600	190600	190600	190600
32	*Instruction	170345	170345	170345	170345	170345
33	*Master Fit	193859	193859	193859	193859	193859
34	*Pilot	193915	193915	193915	193915	193915
35	*Propane	182572	182572	182572	182572	182572
36	*Relief Valve	200042	200042	200042	200042	200042
37	*Water Inlet	161040	161040	161040	161040	161040
38	*Water Outlet	161040-1	161040-1	161040-1	161040-1	161040-1
39	*Wiring Diagram	193621	193621	193621	193621	193621
40	Leg	193826	193826	193826	193826	193826
41	Manifold	76244	76244	76244-2	76244-2	76244-2
42	*Instruction Manual	195779	195779	195779	195779	195779
43	Main Burner Orifice, Natural	<u>76243-32</u>	<u>76243-30</u>	<u>76243-35</u>	<u>76243-32</u>	<u>76243-32</u>
44	Main Burner Orifice, LP	<u>76243-49</u>	<u>76243-46</u>	<u>76243-51</u>	<u>76243-49</u>	<u>76243-49</u>
45	Anode Rod	43817-38	43817-38	43817-38	43817-42	43817-42
46	T&P Relief Valve	99465-7	99465-7	99465-7	99465-7	99465-7
47	Transformer	193444	193444	193444	193444	193444
48	*Pilot Tubing	1417-60	1417-60	1417-60	1417-60	1417-60
49	Inlet Tube	193729	192626	193729	192626	192626
50	Drain Valve	26273-6	26273-6	26273-6	26273-6	26273-6
51	Gas Valve Natural	<u>192827</u>	<u>192827</u>	<u>192827</u>	<u>192827</u>	<u>192827</u>
52	Gas Valve LP	<u>192827-1</u>	<u>192827-1</u>	<u>192827-1</u>	<u>192827-1</u>	<u>192827-1</u>
53	Wire Conduit	193456-1	193456-1	193456-1	193456-1	193456-1
54	Ground Wire	77948-7	77948-7	77948-7	77948-7	77948-7
55	Switch Panel/Mounting Plate	193448	193448	193448	193448	193448
56	Off/On Switch	193243	193243	193243	193243	193243
57	Bushing	193404	193404	193404	193404	193404
58	Jumper Wire	193476	193476	193476	193476	193476
59	Control Box Panel	193447	193447	193447	193447	193447
60	Cover - Burner	98185	98185	98185-2	98185-2	98185-2
61	The Eliminator	195100	195100	195098	195098	195098
62	Galvanized Pipe Union, 1 1/2"	195127	195127	195127	195127	195127

ITEM	PARTS DESCRIPTION	BTR 199	BTR 200/A	BTR 250/A	BTR 251/A	BTR 275/A
1	Flue Baffle	193795-1	193889	193595	193595	193945
2	Jacket Base	193819	192095	192095	193919	192095
3	Main Burner Orifice Bracket	98044(5)	98044(5)	098044(5)	098044(7)	098044(5)
4	Main Burner	98047	98047	98047	98047	98047
5	Main Burner w/Pilot Bracket	193873-1	193873-1	193873-1	193873-1	193873-1
6	Pilot Burner, Natural	<u>193314-4</u>	<u>193314-4</u>	<u>193314-4</u>	<u>193314-4</u>	<u>193314-4</u>
7	Pilot Burner, LP	<u>193314-3</u>	<u>193314-3</u>	<u>193314-3</u>	<u>193314-3</u>	<u>193314-3</u>
8	Floor Shield Assembly	193824	170259-3	193943	193864-1	193943
9	Collar	74060	74060	74060	74060	74060
CLEANOUT ASSEMBLY						
11	Gasket	99038	99038	99038	99038	99038
12	Pressure Plate	99037	99037	99037	99037	99037
13	Screws, Self Tapping	69852	69852	69852	69852	69852
17	Control, Ignition Module	<u>193325</u>	<u>193325</u>	<u>193325</u>	<u>193325</u>	<u>193325</u>
18	Control, Dual w/ECO	<u>192828</u>	<u>192828</u>	<u>192828</u>	<u>192828</u>	<u>192828</u>
19	Cover, Cleanout	181260	181260	181260	181260	181260
20	Cover, Inner	193608	193392	193392	193391	193392
21	Jacket Cover	97062-7	170256	170256	97062	170256
22a	Drafthood	191790	191790	193891	193891	193891
22b	Damper Drive Assembly	194484	194484	194485	194485	194485
22c	Harness Adapter	194459	194459	194459	194459	194459
23	Top Insulation	192867	192867	192867	41560-56	192867
LABELS						
24	L&O Label	193620	193620	193620	193620	193620
26	Cleanout	193914	193914	193914	193914	193914
27	*Bilingual Instruction	193912	193912	193912	193912	193912
28	*Ultra Coat	193860	193860	193860	193860	193860
29	*ECO Instruction	193911	193911	193911	193911	193911
30	*Flammable Vapors	192872	193911	192872	192872	192872
31	*Help Line	190600	190600	190600	190600	190600
32	*Instruction	170345	170345	170345	170345	170345
33	*Master Fit	193859	193859	193859	193859	193859
34	*Pilot	193915	193915	193915	193915	193915
35	*Propane	182572	182572	182572	182572	182572
36	*Relief Valve	200042	200042	200042	200042	200042
37	*Water Inlet	161040	161040	161040	161040	161040
38	*Water Outlet	161040-1	161040-1	161040-1	161040-1	161040-1
39	*Wiring Diagram	193621	193621	193621	193621	193621
40	Leg	193826	193826	193826	193826	193826
41	Manifold	76244-2	76244-2	76244-2	76244-3	76244-2
42	*Instruction Manual	195779	195779	195779	195779	195779
43	Main Burner Orifice, Natural	<u>76243-32</u>	<u>76243-32</u>	<u>76243-30</u>	<u>76243-33</u>	<u>76243-29</u>
44	Main Burner Orifice, LP	<u>76243-49</u>	<u>76243-48</u>	<u>76243-45</u>	<u>76243-51</u>	<u>76243-44</u>
45	Anode Rod	43817-38	180618-42	180618-42	43817-38	180618-42
46	T&P Relief Valve	99465-7	99465-7	192467	192467	192467
47	Transformer	193444	193444	193444	193444	193444
48	*Pilot Tubing	193729	1417-60	1417-60	1417-60	1417-60
49	Inlet Tube	193729	193729	192626	na	192626
50	Drain Valve	26273-6	26273-6	26273-6	26273-6	26273-6
51	Gas Valve Natural	<u>192827</u>	<u>192827</u>	<u>192827</u>	<u>192827</u>	<u>192827</u>
52	Gas Valve LP	<u>192827-1</u>	<u>192827-1</u>	<u>192827-1</u>	<u>192827-1</u>	<u>192827-1</u>
53	Wire Conduit	193456-1	193456-1	193456-1	193456-1	193456-1
54	Ground Wire	193448	77948-7	77948-7	77948-7	77948-7
55	Switch Panel/Mounting Plate	193448	193448	193448	193448	193448
56	Off/On Switch	193243	193243	193243	193243	193243
57	Bushing	193404	193404	193404	193404	193404
58	Jumper Wire	193476	193476	193476	193476	193476
59	Control Box Panel	193447	193447	193447	193447	193447
60	Cover - Burner	98185-2	98185-2	98185-2	98185-3	98185-2
61	The Eliminator	195098	195098	195098	195102	195098
62	Galvanized Pipe Union, 1 1/2"	195127	195127	195127	195127	195127

ITEM	PARTS DESCRIPTION	BTR 305/A	BTR 365/A	BTR 400/A	BTR 500/A
1	Flue Baffle	193595	193696	193995	193995
2	Jacket Base	193919	193986	193999	193986
3	Main Burner Orifice Bracket	098044(7)	098044(9)	098044(9)	098044(9)
4	Main Burner	192322	98047	192322	192322
5	Main Burner w/Pilot Bracket	193873	193873-1	193873	193873
6	Pilot Burner, Natural	193314-4	193314-4	193314-4	193314-4
7	Pilot Burner, LP	193314-3	193314-3	193314-3	193314-3
8	Floor Shield Assembly	193864-1	193984	193997	193984
9	Collar	74060	74060	74060	74060
CLEANOUT ASSEMBLY					
11	Gasket	99038	99038	99038	99038
12	Pressure Plate	99037	99037	99037	99037
13	Screws, Self Tapping	69852	69852	69852	69852
17	Control, Ignition Module	193325	193325	193325	193325
18	Control, Dual w/ECO	192828	192828	192828	192828
19	Cover, Cleanout	181260	181260	181260	181260
20	Cover, Inner	193391	193608	193392	193608
21	Jacket Cover	97062	97062-7	170256	97062-7
22a	Drafthood	193891	193891	193891	193891
22b	Damper Drive Assembly	194485	194485	194485	194485
22c	Harness Adapter	194459	194459	194459	194459
23	Top Insulation	41560-56	192867	192867	192867
LABELS					
24	L&O Label	193620	193620	193620	194008
26	Cleanout	193914	193914	193914	193914
27	*Bilingual Instruction	193912	193912	193912	193912
28	*Ultra Coat	193860	193860	193860	193860
29	*ECO Instruction	193911	193911	193911	193911
30	*Flammable Vapors	192872	192872	192872	192872
31	*Help Line	190600	190600	190600	190600
32	*Instruction	170345	170345	170345	170345
33	*Master Fit	193859	193859	193859	193859
34	*Pilot	193915	193915	193915	193915
35	*Propane	182572	182572	182572	182572
36	*Relief Valve	200042	200042	200042	200042
37	*Water Inlet	161040-0	161040-0	161040-0	161040-0
38	*Water Outlet	161040-1	161040-1	161040-1	161040-1
39	*Wiring Diagram	193621	193621	193621	193621
40	Leg	193826	193826	193826	194093
41	Manifold	76244-3	76244-4	76244-4	76244-4
42	*Instruction Manual	195779	195779	195779	195779
43	Main Burner Orifice, NAT	76243-37	76243-32	76243-31	76243-28
44	Main Burner Orifice, LP	76243-48	76243-49	76243-48	76243-44
45	Anode Rod	43817-38	180618-42	180618-42	180618-42
46	T&P Relief Valve	192467	192467	192467	192467
47	Transformer	193444	193444	193444	193444
48	*Pilot Tubing	1417-60	1417-60	1417-60	1417-60
49	Inlet Tube	na	192626	192626	192626
50	Drain Valve	26273-6	26273-6	26273-6	26273-6
51	Gas Valve Natural	192827-2	192827-2	192827-2	193366-0
52	Gas Valve LP	192827-3	192827-3	192827-3	193366-1
53	Wire Conduit	193456-1	193456-1	193456-1	193456-1
54	Ground Wire	77948-7	77948-7	77948-7	77948-7
55	Switch Panel/Mounting Plate	193448	193448	193448	193448
56	Off/On Switch	193243	193243	193243	193243
57	Bushing	193404	193404	193404	193404
58	Jumper Wire	193476	193476	193476	193476
59	Control Box Panel	193447	193447	193447	193447
60	Cover - Burner	98185-3	98185-4	98185-4	194111
61	The Eliminator	195102	195098	195098	195102
62	Galvanized Pipe Union, 1 1/2"	195127	195127	195127	195127

ITEM	PARTS DESCRIPTION	BTRC120	BTRC154	BTRC180	BTRC197	BTRC199
1	Flue Baffle	193595	192199-3	193795-0	193696	193795-0
2	Jacket Base	193862	193862	194166	194166	194166
3	Main Burner Orifice Bracket	98044(3)	98044(3)	98044(5)	98044(5)	98044(5)
4	Main Burner	98047	98047	98047	98047	98047
5	Main Burner w/Pilot Bracket	193873-1	193873-1	193873-1	193873-1	193873-1
6	Pilot Burner, Natural	<u>193314-4</u>	<u>193314-4</u>	<u>193314-4</u>	<u>193314-4</u>	<u>193314-4</u>
7	Pilot Burner, LP	<u>193314-3</u>	<u>193314-3</u>	<u>193314-3</u>	<u>193314-3</u>	<u>193314-3</u>
8	Floor Shield Assembly	193864	193864	194176	194176	194176
9	Collar	74060	74060	74060	74060	74060
CLEANOUT ASSEMBLY						
11	Gasket	99038	99038	99038	99038	99038
12	Pressure Plate	99037	99037	99037	99037	99037
13	Screws, Self Tapping	69852	69852	69852	69852	69852
17	Control, Ignition Module	<u>193325</u>	<u>193325</u>	<u>193325</u>	<u>193325</u>	<u>193325</u>
18	Control, Dual w/ECO	<u>192828</u>	<u>192828</u>	<u>192828</u>	<u>192828</u>	<u>192828</u>
19	Cover, Cleanout	181260	181260	181260	181260	181260
20	Cover, Inner	193393-1	193393-2	193608	193608	193608
21	Jacket Cover	97062-6	97062-6	97062-7	97062-7	97062-7
22a	Drafthood	193596	193596-1	193596-1	193596-1	193596-1
22b	Damper Drive Assembly	194484	194484	194484	194484	194484
22c	Harness Adapter	194459	194459	194459	194459	194459
23	Top Insulation	41560-56	41560-56	192867	192867	192867
LABELS						
24	L&O Label	193620	193620	193620	193620	193620
26	Cleanout	193914	193914	193914	193914	193914
27	*Bilingual Instruction	193912	193912	193912	193912	193912
28	*Ultra Coat	193860	193860	193860	193860	193860
29	*ECO Instruction	193911	193911	193911	193911	193911
30	*Flammable Vapors	192872	192872	192872	192872	192872
31	*Help Line	194179	194179	194179	194179	194179
32	*Instruction	194051	194051	194051	194051	194051
33	*Master Fit	193859	193859	193859	193859	193859
34	*Pilot	193915	193915	193915	193915	193915
35	*Propane	182572	182572	182572	182572	182572
36	*Relief Valve	200042	200042	200042	200042	200042
37	*Water Inlet	161040	161040	161040	161040	161040
38	*Water Outlet	161040-1	161040-1	161040-1	161040-1	161040-1
39	*Wiring Diagram	193621	193621	193621	193621	193621
40	Leg	193826	193826	193826	193826	193826
41	Manifold	76244-0	76244-0	76244-2	76244-2	76244-2
42	*Instruction Manual	195779	195779	195779	195779	195779
43	Main Burner Orifice, Natural	<u>76243-32</u>	<u>76243-30</u>	<u>76243-35</u>	<u>76243-32</u>	<u>76243-32</u>
44	Main Burner Orifice, LP	<u>76243-49</u>	<u>76243-46</u>	<u>76243-51</u>	<u>76243-49</u>	<u>76243-49</u>
45	Anode Rod	43817-38	43817-38	43817-38	43817-42	43817-38
46	T&P Relief Valve	99465-7	99465-7	99465-7	99465-7	99465-7
47	Transformer	193444	193444	193444	193444	193444
48	*Pilot Tubing	1417-60	1417-60	1417-60	1417-60	1417-60
49	Inlet Tube	193729	192626	193729	192626	193729
50	Drain Valve	26273-6	26273-6	26273-6	26273-6	26273-6
51	Gas Valve Natural	<u>192827</u>	<u>192827</u>	<u>192827</u>	<u>192827</u>	<u>192827</u>
52	Gas Valve LP	<u>192827-1</u>	<u>192827-1</u>	<u>192827-1</u>	<u>192827-1</u>	<u>192827-1</u>
53	Wire Conduit	193456-1	193456-1	193456-1	193456-1	193456-1
54	Ground Wire	77948-7	77948-7	77948-7	77948-7	77948-7
55	Switch Panel/Mounting Plate	193448	193448	193448	193448	193448
56	Off/On Switch	193243	193243	193243	193243	193243
57	Bushing	193404	193404	193404	193404	193404
58	Jumper Wire	193476	193476	193476	193476	193476
59	Control Box Panel	193447	193447	193447	193447	193447
60	Cover - Burner	98185	98185	98185-2	98185-2	98185-2
61	The Eliminator	195100	195100	195100	195100	195100
62	Galvanized Pipe Union, 1 1/2"	195127	195127	195127	195127	195127

ITEM	PARTS DESCRIPTION	BTRC200/A	BTRC250/A	BTRC251/A	BTRC275/A	BTRC305/A
1	Flue Baffle	193889	193595	193595	193945	193595
2	Jacket Base	192095	192095	193919	192095	193919
3	Main Burner Orifice Bracket	98044(5)	98044(5)	98044(7)	98044(5)	98044(7)
4	Main Burner	98047	98047	98047	98047	192322
5	Main Burner w/Pilot Bracket	193873-1	193873-1	193873-1	193873-1	193873
6	Pilot Burner, Natural	<u>193314-4</u>	<u>193314-4</u>	<u>193314-4</u>	<u>193314-4</u>	<u>193314-4</u>
7	Pilot Burner, LP	<u>193314-3</u>	<u>193314-3</u>	<u>193314-3</u>	<u>193314-3</u>	<u>193314-3</u>
8	Floor Shield Assembly	170259-3	193943	193864-1	193943	193864-1
9	Collar	74060	74060	na	74060	na
CLEANOUT ASSEMBLY						
11	Gasket	99038	99038	99038	99038	99038
12	Pressure Plate	99037	99037	99037	99037	99037
13	Screws, Self Tapping	69852	69852	69852	69852	69852
17	Control, Ignition Module	<u>193325</u>	<u>193325</u>	<u>193325</u>	<u>193325</u>	<u>193325</u>
18	Control, Dual w/ECO	<u>192828</u>	<u>192828</u>	<u>192828</u>	<u>192828</u>	<u>192828</u>
19	Cover, Cleanout	181260	181260	181260	181260	181260
20	Cover, Inner	193392	193393-2	193608	193608	193608
21	Jacket Cover	170256	97062-6	97062-7	97062-7	97062-7
22a	Drafthood	191790	193891	193891	193891	193891
22b	Damper Drive Assembly	194484	194485	194485	194485	194485
22c	Harness Adapter	194459	194459	194459	194459	194459
23	Top Insulation	192867	41560-56	192867	192867	192867
LABELS						
24	L&O Label	193620	193620	193620	193620	193620
26	Cleanout	193914	193914	193914	193914	193914
27	*Bilingual Instruction	193912	193912	193912	193912	193912
28	*Ultra Coat	193860	193860	193860	193860	193860
29	*ECO Instruction	193911	193911	193911	193911	193911
30	*Flammable Vapors	192872	192872	192872	192872	192872
31	*Help Line	194179	194179	194179	194179	194179
32	*Instruction	194051	194051	194051	194051	194051
33	*Master Fit	193859	193859	193859	193859	193859
34	*Pilot	193915	193915	193915	193915	193915
35	*Propane	182572	182572	182572	182572	182572
36	*Relief Valve	200042	200042	200042	200042	200042
37	*Water Inlet	161040	161040	161040	161040	161040
38	*Water Outlet	161040-1	161040-1	161040-1	161040-1	161040-1
39	*Wiring Diagram	193621	193621	193621	193621	193621
40	Leg	193826	193826	193826	193826	193826
41	Manifold	76244	76244	76244-2	76244-2	76244-2
42	*Instruction Manual	195779	195779	195779	195779	195779
43	Main Burner Orifice, Natural	<u>76243-32</u>	<u>76243-30</u>	<u>76243-35</u>	<u>76243-32</u>	<u>76243-32</u>
44	Main Burner Orifice, LP	<u>76243-48</u>	<u>76243-46</u>	<u>76243-51</u>	<u>76243-49</u>	<u>76243-49</u>
45	Anode Rod	180618-42	43817-38	43817-38	43817-42	43817-38
46	T&P Relief Valve	199467-7	192467	192467	192467	192467
47	Transformer	193444	193444	193444	193444	193444
48	*Pilot Tubing	1417-60	1417-60	1417-60	1417-60	1417-60
49	Inlet Tube	193729	192626	193729	192626	193729
50	Drain Valve	26273-6	26273-6	26273-6	26273-6	26273-6
51	Gas Valve Natural	<u>192827</u>	<u>192827</u>	<u>192827</u>	<u>192827</u>	<u>192827</u>
52	Gas Valve LP	<u>192827-1</u>	<u>192827-1</u>	<u>192827-1</u>	<u>192827-1</u>	<u>192827-1</u>
53	Wire Conduit	193456-1	193456-1	193456-1	193456-1	193456-1
54	Ground Wire	77948-7	77948-7	77948-7	77948-7	77948-7
55	Switch Panel/Mounting Plate	193448	193448	193448	193448	193448
56	Off/On Switch	193243	193243	193243	193243	193243
57	Bushing	193404	193404	193404	193404	193404
58	Jumper Wire	193476	193476	193476	193476	193476
59	Control Box Panel	193447	193447	193447	193447	193447
60	Cover - Burner	98185-2	98185-2	98185-2	98185-2	98185-2
61	The Eliminator	195098	195098	195102	195098	195102
62	Galvanized Pipe Union, 1 1/2"	195127	195127	195127	195127	195127

ITEM	PARTS DESCRIPTION	BTRC365/A	BTRC400/A	BTRC500/A
1	Flue Baffle	193945	193995	193995
2	Jacket Base	194164	193999	193986
3	Main Burner Orifice Bracket	098044(9)	098044(9)	098044(9)
4	Main Burner	98047	192322	98047
5	Main Burner w/Pilot Bracket	193873-1	193873-1	193873-1
6	Pilot Burner, Natural	<u>193314-4</u>	<u>193314-4</u>	<u>193314-4</u>
7	Pilot Burner, LP	<u>193314-3</u>	<u>193314-3</u>	<u>193314-3</u>
8	Floor Shield Assembly	194176	193997	193984
9	Collar	74060	74060	74060
CLEANOUT ASSEMBLY				
11	Gasket	99038	99038	99038
12	Pressure Plate	99037	99037	99037
13	Screws, Self Tapping	69852	69852	69852
17	Control, Ignition Module	<u>193325</u>	<u>193325</u>	<u>193325</u>
18	Control, Dual w/ECO	<u>192828</u>	<u>192828</u>	<u>192828</u>
19	Cover, Cleanout	181260	181260	181260
20	Cover, Inner	193608	193392	193608
21	Jacket Cover	97062-7	170256	97062-7
22a	Drafthood	193891	193891	193891
22b	Damper Drive Assembly	194485	194485	194485
22c	Harness Adapter	194459	194459	194459
23	Top Insulation	192867	192867	192867
LABELS				
24	L&O Label	193620	193620	194008
26	Cleanout	193914	193914	193914
27	*Bilingual Instruction	193912	193912	193912
28	*Ultra Coat	193860	193860	193860
29	*ECO Instruction	193911	193911	193911
30	*Flammable Vapors	192872	192872	192872
31	*Help Line	194179	194179	194179
32	*Instruction	194051	194051	194051
33	*Master Fit	193859	193859	193859
34	*Pilot	193915	193915	193915
35	*Propane	182572	182572	182572
36	*Relief Valve	200042	200042	200042
37	*Water Inlet	161040	161040	161040
38	*Water Outlet	161040-1	161040-1	161040-1
39	*Wiring Diagram	193621	193621	193621
40	Leg	193826	193826	194093
41	Manifold	76244-4	76244-4	76244-4
42	*Instruction Manual	195779	195779	195779
43	Main Burner Orifice, Natural	<u>76243-32</u>	<u>76243-31</u>	<u>76243-29</u>
44	Main Burner Orifice, LP	<u>76243-49</u>	<u>76243-48</u>	<u>76243-44</u>
45	Anode Rod	180618-42	180618-42	180618-42
46	T&P Relief Valve	192467	192467	192467
47	Transformer	193444	193444	193444
48	*Pilot Tubing	1417-60	1417-60	1417-60
49	Inlet Tube	192626	192626	192626
50	Drain Valve	26273-6	26273-6	26273-6
51	Gas Valve Natural	<u>192827-2</u>	<u>192827-2</u>	<u>193366</u>
52	Gas Valve LP	<u>192827-3</u>	<u>192827-3</u>	<u>193366-1</u>
53	Wire Conduit	193456-1	193456-1	193456-1
54	Ground Wire	77948-7	77948-7	77948-7
55	Switch Panel/Mounting Plate	193448	193448	193448
56	Off/On Switch	193243	193243	193243
57	Bushing	193404	193404	193404
58	Jumper Wire	193476	193476	193476
59	Control Box Panel	193447	193447	193447
60	Cover - Burner	98185-2	98185-2	98185-2
61	The Eliminator	195102	195098	195100
62	Galvanized Pipe Union, 1 1/2"	195127	195127	195127

NOTE: Underlined parts are recommended stock items for emergency replacement.
Consider gas used in your area only. *Not illustrated.

A. O. SMITH WATER PRODUCTS COMPANY
5621 W. 115TH STREET • ALSIP, ILLINOIS 60803
PHONE: 1-800-433-2545 • FAX: 1-800-433-2515
Website: www.aosmithwaterheaters.com

**A. O. SMITH
WATER PRODUCTS
COMPANY**
PSD / Alsip, IL

