



38-200 SERIES

ATMOSPHERIC TYPE VACUUM BREAKER

Job Name:	Contractor:
Job Location:	P.O. Number:
Engineer:	Representative:
Tag:	Wholesale Distributor:

SPECIFICATIONS

The 1/4" – 3/4" Atmospheric Type Vacuum Breakers shall be Apollo® 38-200 Series. The device is designed to prevent contamination of potable water due to back-siphonage. The 38-200 Series is not designed for backpressure conditions or continuous pressure applications longer than 12 hours in a 24-hour period and should only be installed in areas where spillage of water could not cause damage.

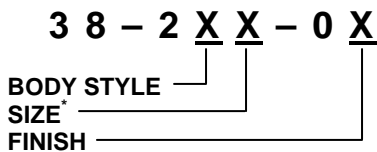
FEATURES

- Compact and easy to maintain
- Suitable for hot or cold water service
- Corrosion-resistant forged brass body
- MADE IN THE USA

MATERIAL SPECIFICATIONS

Part Name	Material
Body	Forged Brass
Seat Disc	Silicone
Float	Polypropylene
Cap and Guide	Noryl®
Canopy	Chrome-plated Steel
Screw	Zinc-plated Steel

ORDERING INFORMATION



BODY STYLE

- 0 – Normal (90° Flow)
- 3 – Deck Mounted ("U" Flow)

SIZE

- 1 – 1/4" 2 – 3/8"
- 3 – 1/2" 4 – 3/4"

*Note: Deck-mounted available sizes are 1/4" & 3/8" only

FINISH

- 1 – Rough Brass
- 3 – Rough Chrome
- 6 – Polished Chrome

APPROVALS

ASSE® 1001, ANSI® A112.1.1, CSA® B64.1.1 and IAPMO

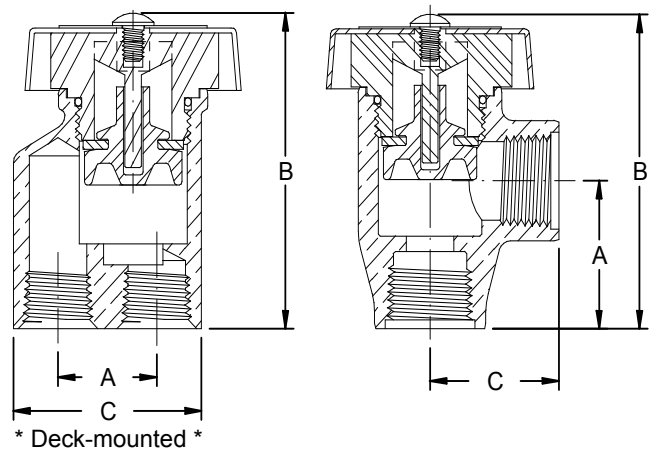
PERFORMANCE RATING

Maximum Operating Pressure 125 psi
Temperature Range up to 212 °F



DIMENSIONS (in.)

Size	A	B	C	Wt. (lb.)
1/4"	1 1/8	2 3/8	1	.51
3/8"	1 1/8	2 3/8	1	.48
1/2"	1 1/4	2 5/8	1 1/4	.55
3/4"	1 1/2	3	1 1/2	.63
* 1/4" *	3/4	2 1/2	1 1/2	.26
* 3/8" *	7/8	2 1/2	1 3/4	.31



FLOW CURVES

