

CADDY® EZ RISER

Model Number: **510, 512, 520**

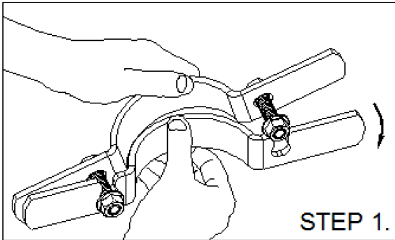
Model #520 Size Range: 1/2" - 8"

Model #510 †

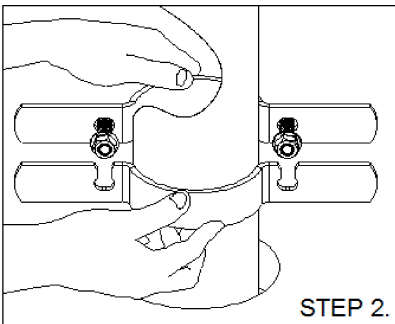
Model #512(CQ) Size Range: 1"-3", 4"-6" ‡

This product provides support for vertical steel pipe risers. Install in accordance with ANSI®/MSS-SP-69. Clamp is fitted for steel pipe and should be installed below a coupling or shear lug, with bolts torqued to recommended value.*
 †Model #510, Sizes 2" through 8" are cULus® listed.
 ‡Model #512(CQ), sizes 1" through 3" and 4" through 6" are cULus® listed.

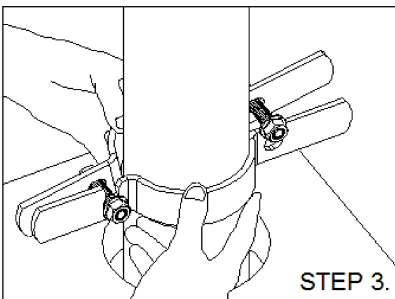
Note: Wings of riser clamp must rest on structure with a hole diameter no larger than the bolts. (SEE REVERSE)



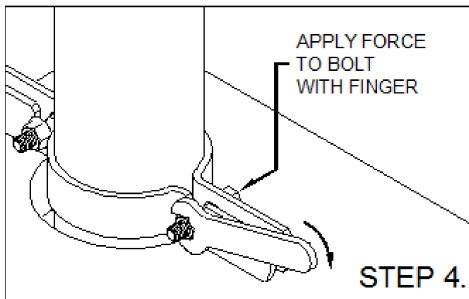
Step 1: Loosen bolts and separate two halves of the riser. (Note: DO NOT remove bolts, just loosen nuts)



Step 2: Place each half of the riser clamp around the pipe as shown. (Note: Install the slotted half with open side of slots facing up as shown)



Step 3: Slide the half with the bolts into the half with the slots as shown. Then let the riser clamp slide down the pipe until it rests on the floor.



Step 4: Tighten (torque) the bolts.

FOR NOMINAL PIPE SIZE	MAX. RECOM. LOAD (LBS)
1/2"	255
3/4"	255
1"	255
1-1/4"	255
1-1/2"	255
2"	255
2-1/2"	390
3"	530
3-1/2"	670
4"	810
5"	1160
6"	1570
8"	2500
10"	2500
12"	2700

RECOMMENDED TORQUE	
Models 510 and 520	
3/8-16 Bolt	19 ft. lbs.
1/2-13 Bolt	50 ft. lbs.
5/8-11 Bolt	75ft. lbs.
Model 512	
3/8-16 Bolt	30 ft. lbs.
1/2-13 Bolt	50 ft. lbs.

- WARNING:**
1. ERICO products shall be installed and used only as indicated in ERICO product instruction sheets and training materials. Instruction sheets are available at www.erico.com and from your ERICO customer service representative.
 2. ERICO products must never be used for a purpose other than the purpose for which they were designed or in a manner that exceeds specified load ratings.
 3. All instructions must be completely followed to ensure proper and safe installation and performance.
 4. Improper installation, misuse, misapplication or other failure to completely follow ERICO's instructions and warnings may cause product malfunction, property damage, serious bodily injury and death.
 5. Products that are manufactured using spring steel components shall be used only in a non-corrosive indoor environment.
 6. All pipe supports, hangers, intermediate components and structural attachments must ONLY be used as described herein and are NEVER to be used for any other purpose.

NOTE: All load ratings are for static conditions and do not account for dynamic loading such as wind, water or seismic loads, unless otherwise noted.

- The customer is responsible for:
- a. Conformance to all governing codes.
 - b. The integrity of structures to which the products are attached, including their capability of safely accepting the loads imposed, as evaluated by a qualified engineer.
 - c. Using appropriate industry standard hardware as noted above.

SAFETY INSTRUCTIONS:
 All governing codes and regulations and those required by the job site must be observed. Always use appropriate safety equipment such as eye protection, hard hat, and gloves as appropriate to the application.

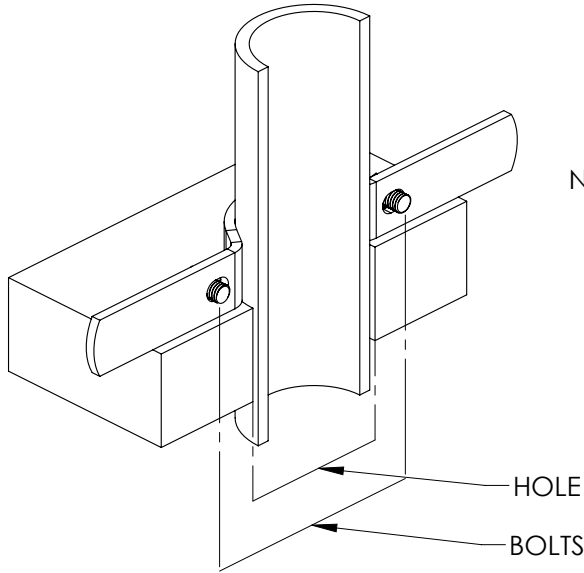
cULus is a registered trademark of Underwriters Laboratories, Inc.
 ANSI is a registered trademark of American National Standards Institute.

CADDY, CADWELD, CRITEC, ERICO, ERIFLEX, ERITECH, and LENTON are registered trademarks of ERICO International Corporation.



CADDY® EZ RISER

Model Number: 511



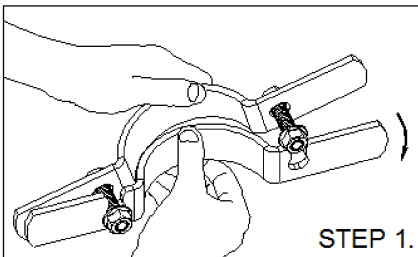
Note: Wings of riser clamp must rest on structure with a hole diameter no larger than the bolts.

This product provides support for vertical copper tubing risers.

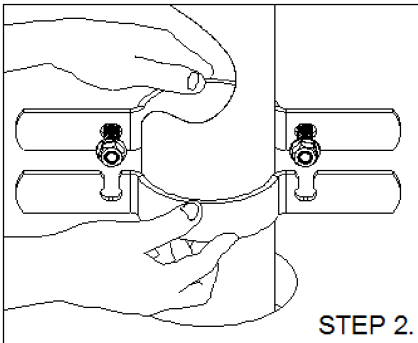
Install in accordance with ANSI/MSS-SP-69.

Clamp is fitted for copper tubing and should be installed below a coupling or fitting on the tubing, with bolts torqued to recommended value.

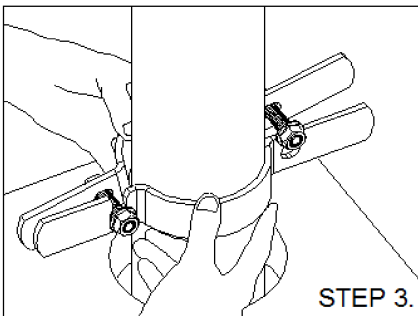
FOR NOMINAL PIPE SIZE	MAX. RECOM. LOAD (lbs.)
1/2"	75
3/4"	75
1"	120
1-1/4"	150
1-1/2"	150
2"	150
2-1/2"	300
3"	300
4"	300
5"	500
6"	600



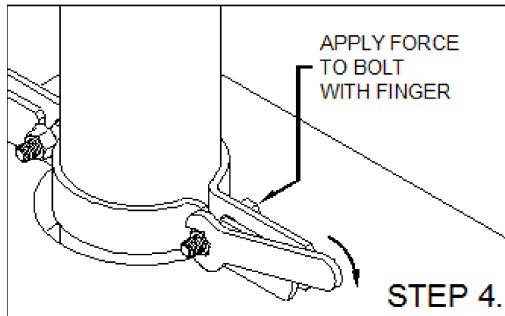
Step 1: Loosen bolts and separate two halves of the riser. (Note: DO NOT remove bolts, just loosen nuts)



Step 2: Place each half of the riser clamp around the pipe as shown. (Note: Install the slotted half with open side of slots facing up as shown)



Step 3: Slide the half with the bolts into the half with the slots as shown. Then let the riser clamp slide down the pipe until it rests on the floor.



Step 4: Tighten (torque) the bolts.

RECOMMENDED TORQUE	
Model 511	
3/8-16 Bolt	19 ft. lbs.
1/2-13 Bolt	50 ft. lbs.
5/8-11 Bolt	75 ft. lbs.



CADDY, CADWELD, CRITEC, ERICO, ERIFLEX, ERITECH, and LENTON are registered trademarks of ERICO International Corporation.

TECHNICAL SUPPORT:
www.erico.com

CFS306_M

2 OF 2

© 2008, 2015 ERICO International Corporation.

