

CTS TUBE HANGER

» 553 SERIES

HangsTuff Jr.™

ITEM # SUBMITTED	_____
JOB NAME	_____
LOCATION	_____
ENGINEER	_____
CONTRACTOR	_____
PO#	_____ TAG _____

SPECIFICATION

Sioux Chief's 553 HangsTuff Jr.™ hangers shall be used where necessary to support or suspend CTS tube in accordance with local or national code requirements. Hanger shall be impact resistant to 0°F, and be able to withstand temperatures up to 140°F. Hanger shall include preloaded rust resistant, zinc plated, ring-shank nails, for a more permanent installation. Hanger shall feature I-beam design for strength and rigidity with a locking finger designed to hold the pipe in place when installed. Corrosion proof hanger shall be compatible with copper, PEX or CPVC, allow for thermal expansion and contraction and IAPMO certified.

INSTALLATION

Remove nails and insert into nail holes to secure hanger to joist. Lay tube on top of cradle then push down to snap pipe securely with locking finger. Pipe may be inverted when necessary. Stem may be shortened if necessary.

MATERIALS

Hanger: U.V. resistant, corrosion-proof, impact-resistant ABS

Nail: 1⁵/₈" rust-resistant, zinc-coated, continuous ring-shank

MAXIMUM TEMPERATURE RATING

140°F

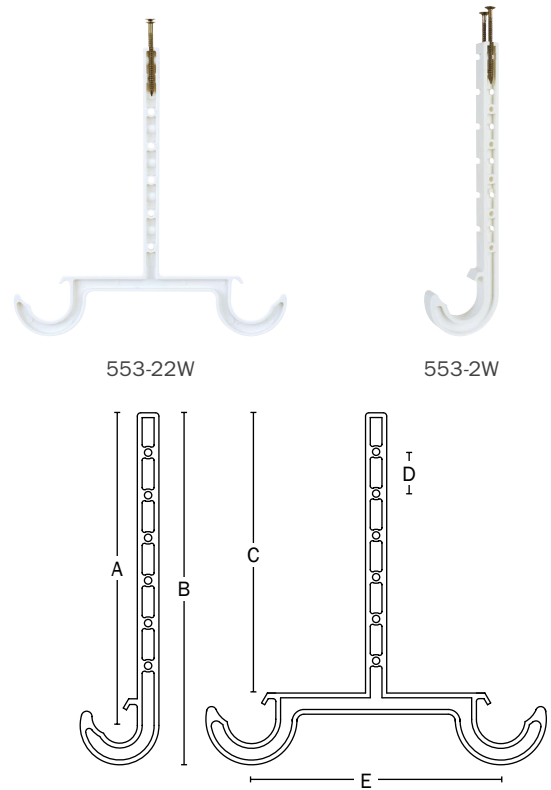
SAFE WORKING LOAD

	1/2"	3/4"	1"	1 1/4"
Cradle	55 lbs.	45 lbs.	35 lbs.	30 lbs.
Inverted	12 lbs.	12 lbs.	12 lbs.	12 lbs.

DIMENSIONS

Tube Size:

	1/2" x 1/2"	1/2" x 3/4"	3/4" x 3/4"	1/2"	3/4"	1"	1 1/4"
A: Centerline	5 1/2"	5 1/2"	5 1/2"	5 1/2"	5 1/2"	5 1/2"	5 1/2"
B: Overall length	6 3/16"	6 5/8"	6 5/16"	6 3/16"	6 5/16"	6 7/16"	6 9/16"
C: Locking finger distance	4 7/8"	5"	4 7/8"	5"	5"	5"	5"
D: Nailway centerline	3/4"	3/4"	3/4"	3/4"	3/4"	3/4"	3/4"
E: Tube centerline	4 1/4"	4 1/4"	4 1/4"	-	-	-	-



Made in USA

Create Item Number

553-AW

e.g. 553-2W: 1/2" CTS HangsTuff Jr.™

TUBE SIZE A

22 = 1/2" x 1/2"

23 = 1/2" x 3/4"

33 = 3/4" x 3/4"

2 = 1/2"

3 = 3/4"

4 = 1"

5 = 1 1/4"