

Features

- Brass construction.
- 1-1/2" OD (38 mm) brass tailpiece.
- Removable perforated strainer.



Codes/Standards

ASME A112.18.2/CSA B125.2


KOHLER® One-Year Limited Warranty

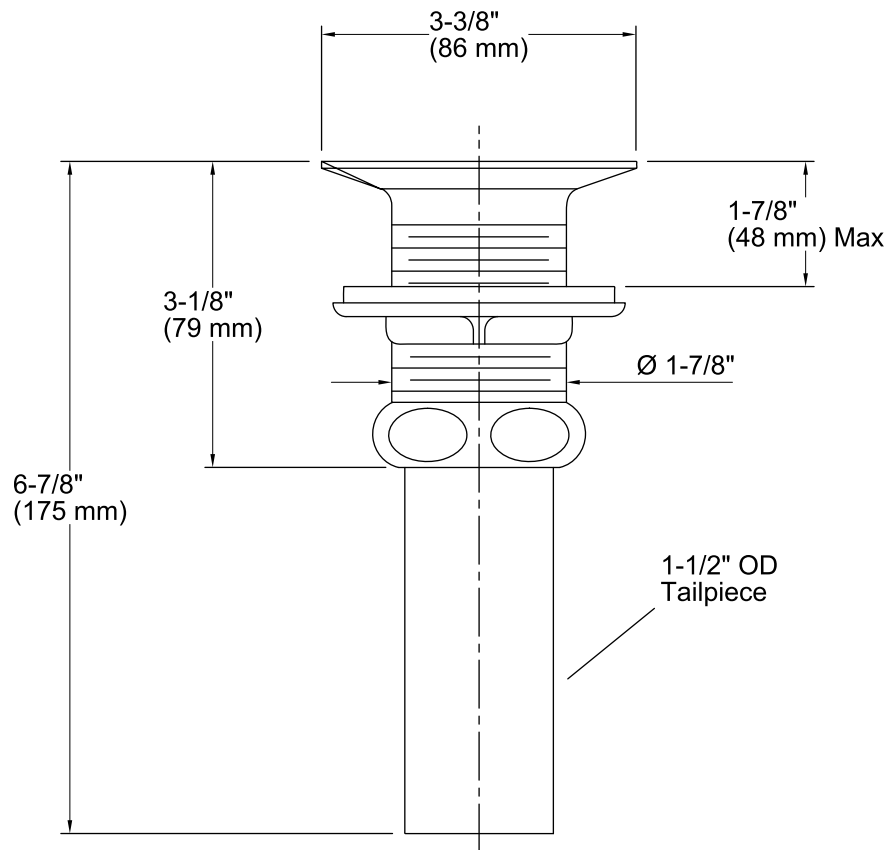
See website for detailed warranty information.

Available Color/Finishes

Color tiles intended for reference only.

| Color | Code | Description |
|-------|------|-------------|
|-------|------|-------------|

| | | |
|--|----|-----------------|
|  | CP | Polished Chrome |
|--|----|-----------------|



Technical Information

All product dimensions are nominal.

Drain tailpiece YES
included:

Notes

Install this product according to the installation guide.