



RLMA

Parts List
24-April-2014



*This parts list is current as of the above revision date.
See <http://www.rheempartslists.net/92-42800-RLMA.pdf> for the current revision.*

Package Air Conditioners - Commercial

Table of Contents

| | |
|---|---------|
| Model Explanation | Page 3 |
| Parts Numbers | |
| Panels - Miscellaneous | Page 4 |
| Electrical Group | Page 5 |
| Fan Group | Page 6 |
| Blower Group - Direct Drive | Page 7 |
| Blower Group - Belt Drive | Page 8 |
| Blower Motor Group - Belt (1) | Page 9 |
| Blower Motor Group - Belt (2) | Page 10 |
| Blower Motor Mount - Belt Drive | Page 11 |
| Coil Parts | Page 12 |
| Compressor Group | Page 13 |
| Heater Kits | Page 14 |
| Accessories | Page 15 |
| Drawings/Photographs | |
| Exploded View | Page 16 |
| Control Box | Page 17 |
| Blower Assembly - Direct Drive | Page 17 |
| Blower Assembly - Belt Drive | Page 18 |
| Blower Mounting - Date Code F4897 or Before | Page 19 |
| Blower Mounting - Date Codes F4897 - F4298 | Page 19 |
| Blower Mounting - Date Codes F4298 - F2004 | Page 19 |
| Blower Mounting - Date Code F2004 or After | Page 20 |
| Coil Group Cut-away View | Page 21 |
| Evaporator Coil - Filter Parts | Page 21 |
| Freeze Stat Control | Page 22 |
| Compressor - Refrigeration Group | Page 22 |
| Notes/Disclaimer | Page 23 |

MODEL NUMBER EXPLANATION

| | | | | | | | | | |
|----------|----------|----------|----------|----------|----------|--------------|----------|----------|--------------|
| R | L | M | A | - | A | 0 3 6 | J | K | 0 1 0 |
| 1 | 2 | 3 | 4 | | 5 | 6 | 7 | 8 | 9 |

- 1 TRADE NAME** **8** **DRIVE PACKAGE**
 K = Direct Drive
 L = Belt Drive
 M = Belt Drive - High Static
- 2 L = PACKAGE AIR CONDITIONER**
- 3 EFFICIENCY DESIGNATION** **9** **ELECTRIC HEAT- (Resistance Heat)**
 K = Standard Efficiency (10 SEER)
 M = High Efficiency (12 SEER)
 000 = No Resistance Heat
 006 = 6 KW
 010 = 10KW
 012 = 12 KW
 015 = 15 KW
 020 = 20 KW
 021 = 20 KW
- 4 DESIGN SERIES**
 A = 1st Design
- 5 TECHNICAL VARIATION**
- 6 COOLING CAPACITY (BTU/HR)**
 036 = 36,000
 042 = 42,000
 048 = 48,000
 060 = 60,000
 072 = 72,000
- 7 ELECTRICAL DESIGNATION**
 J = 208-230/1/60
 C = 208-230/3/60
 D = 460/3/50
 N = 380-415/3/50
 P = 200-220/3/50
 Y = 575/3/60

SERIAL NUMBER EXPLANATION

| | | | | |
|----------------|----------|------------|------------|----------------|
| 1 2 3 4 | F | 0 5 | 9 6 | 0 0 0 1 |
| 1 | 2 | 3 | 4 | 5 |

- 1 COMPRESSOR IDENTIFICATION NUMBER**
- 2 PRODUCTION LOCATION:**
 F = FORT SMITH, AR
- 4 WEEK OF PRODUCTION**
- 5 YEAR OF PRODUCTION**
- 6 PRODUCTION NUMBER**

| No. | Notes | MODEL TECHNICAL VARIATION COOLING CAPACITY | RLMA- A 036-072 |
|---------------------------------------|-------|---|-----------------------|
| PANELS AND MISCELLANEOUS PARTS | | | |
| 1 | | Base Rail - Side (2) | AE-58900-01 |
| 2 | | Base Rail - Condenser End | AE-58901-01 |
| 3 | | Base Rail - Evaporator End | AE-58902-01 |
| 4 | | Outdoor Coil Base Pan | AS-59051-01 |
| 5 | | Indoor Coil Base Pan | AS-58910-05 |
| 6 | | Condenser Bulkhead (Does not include Limit Baffle or Tube Support Angles) | AS-59126-02 |
| | | Shield (Covers opening on the Condenser Bulkhead Assembly) | AS-59152-01 |
| 7 | | Blower Bulkhead (Does not include Tube Support Angle, Blower Extension, or Insulation Retainer) | AS-59129-01 |
| 8 | | Blower Extension - Front | AE-58928-01 |
| 9 | | Blower Extension - Back | AE-58928-02 |
| | | Cover Plate (On the Blower Extension - Front to cover the Limit Control opening) | AE-76216-01 |
| | | Insulation Retainer | AE-59059-01 |
| 10 | | Wire Chase | AS-58927-01 |
| 11 | | Corner Post (2) | AE-58965-01 |
| 12 | | Center Post | AE-58966-01 |
| | | Side Panel (Used 036/042 models with a smaller coil to block opening in the cabinet.) | AE-59061-01 |
| 13 | | Louvered Panel - Small | See Accessories |
| 14 | | Louvered Panel -Long | See Accessories |
| 15 | | Louvered Panel - (Square) | See Accessories |
| 16 | | Supply/Return Panels (2) | AS-58992-01 |
| 17 | | Rear Panel (Includes Insulation, Filler Panel, and Stripping) | AS-58976-01 |
| 18 | | Filler Panel | AE-58974-01 |
| | | Filler Panel Stripping | AE-58897-10 |
| 19 | | Blower/Filter Access Panels (2) | AS-58990-01 |
| 20 | | Post - Left End | AS-58973-01 |
| 21 | | Front Panel | AS-59132-01 |
| | | Grommet | 56-22114-06 |
| 22 | | Electric Heat Access Panel | AS-59121-02 |
| 23 | | Compressor Access Panel | AE-58983-02 |
| 24 | | Power Entry Panel | AE-58968-03 |
| 25 | | Front Post | AE-58967-01 |
| 26 | | Indoor Coil Top Panel | AS-58979-01 |
| 27 | | Condenser Top Panel | AS-58982-01 |
| 28 | | Motor Mounting Plate | AE-58109-02 |
| 29 | | Wire Grille | 95-22758-05 |
| 30 | | Wire Grille Cap | AE-58110-02 |
| 31 | | Control Box (w/o components) | AS-59039-01 |
| | | Control Box Cover - For Option 08?A Only | AS-59167-01 |

| No. | Notes | MODEL TECHNICAL VARIATION COOLING CAPACITY ELECTRICAL DESIGNATION | RLMA- A 036-060 J | RLMA- A 036-072 C | RLMA- A 036-072 D | RLMA- A 036-072 Y |
|--|-------|--|----------------------------|----------------------------|----------------------------|----------------------------|
| ELECTRIC GROUP | | | | | | |
| CONTROL BOX COMPONENTS: | | | | | | |
| 35 | Stk | Blower Relay | 42-25104-06 | 42-25104-06 | 42-25104-06 | 42-25104-06 |
| 36 | Stk | Blower Time Delay Relay | 42-21593-03 | 42-21593-03 | 42-21593-03 | 42-21593-03 |
| 37 | Stk | Blower Contactor - Belt Drive | N/A | 42-25103-01 | 42-25103-01 | 42-25103-01 |
| 38 | | Compressor Time Delay Relay | See Compressor Group | | | |
| 39 | Stk | Compressor Contactor | 42-25101-01 | 42-25103-01 | 42-25103-01 | 42-25103-01 |
| 33A | | Capacitor Fan Motor - Oval | See Fan Group | | | |
| 33B | | Capacitor - Dual | See Compressor Group | | | |
| 40 | Stk | Control Transformer | 46-23600-01 | 46-23600-01 | 46-23600-02 | 46-23600-02 |
| | Stk | Control Transformer For Option 08?A | N/A | N/A | N/A | N/A |
| 41 | | Terminal Block | 45-23591-01 | 45-23591-01 | 45-23591-01 | 45-23591-01 |
| OPTIONAL CONTROLS (STANDARD ON SOME MODELS): | | | | | | |
| | Stk | Low Ambient Control | 47-21465-02 | 47-21465-02 | 47-21465-02 | 47-21465-02 |
| 42 | Stk | Low Pressure Control | 47-21466-01 | 47-21466-01 | 47-21466-01 | 47-21466-01 |
| 43 | Stk | High Pressure Control | 47-21604-03 | 47-21604-03 | 47-21604-03 | 47-21604-03 |
| 44 | Stk | Freeze Stat | 47-23683-04 | 47-23683-04 | 47-23683-04 | 47-23683-04 |

| No. | Notes | MODEL TECHNICAL VARIATION COOLING CAPACITY ELECTRICAL DESIGNATION | RLMA- A 036-048 J | RLMA- A 060 J | RLMA- A 036-048 C | RLMA- A 060 C | RLMA- A 072 C |
|------------------|-------|--|----------------------------|------------------------|----------------------------|------------------------|------------------------|
| FAN GROUP | | | | | | | |
| 32 | Stk | Fan Motor | 51-23053-11 | 51-23052-11 | 51-23053-11 | 51-23052-11 | 51-23052-11 |
| 33B | Stk | Run Capacitor - Oval | N/A | N/A | 43-25134-02 | 43-25134-04 | 43-25134-04 |
| | | Capacitor Adapter Plate | N/A | N/A | AE-54609-02 | AE-54609-02 | AE-54609-02 |
| 34 | Stk | Fan Blade | 70-23137-01 | 70-19897-01 | 70-23137-01 | 70-19897-01 | 70-19897-01 |

| No. | Notes | MODEL TECHNICAL VARIATION COOLING CAPACITY ELECTRICAL DESIGNATION | RLMA- A 036-048 D | RLMA- A 060 D | RLMA- A 072 D | | |
|------------------|-------|--|----------------------------|------------------------|------------------------|--|--|
| FAN GROUP | | | | | | | |
| 32 | Stk | Fan Motor | 51-23063-11 | 51-21853-15 | 51-21853-15 | | |
| | Stk | Fan Motor - Option 08?A-Export Market | 51-21853-13 | N/A | 51-21853-13 | | |
| 33B | Stk | Run Capacitor - Oval | 43-25134-02 | 43-25134-04 | 43-25134-04 | | |
| | Stk | Run Capacitor - Option 08?A-Export Market | 43-26133-04 | N/A | 43-26133-04 | | |
| | | Capacitor Adapter Plate | AE-54609-02 | AE-54609-02 | AE-54609-02 | | |
| 34 | Stk | Fan Blade | 70-23137-01 | 70-19897-01 | 70-19897-01 | | |

| No. | Notes | MODEL TECHNICAL VARIATION COOLING CAPACITY ELECTRICAL DESIGNATION | RLMA- A 036-048 Y | RLMA- A 060 Y | RLMA- A 072 Y | | |
|------------------|-------|--|----------------------------|------------------------|------------------------|--|--|
| FAN GROUP | | | | | | | |
| 32 | Stk | Fan Motor | 51-42180-02 | 51-42180-02 | 51-42180-02 | | |
| 33B | Stk | Run Capacitor - Oval | 43-25134-03 | 43-25134-03 | 43-25134-03 | | |
| | | Capacitor Adapter Plate | AE-54609-02 | AE-54609-02 | AE-54609-02 | | |
| 34 | Stk | Fan Blade | 70-23137-01 | 70-19897-01 | 70-19897-01 | | |

| No. | Notes | MODEL TECHNICAL VARIATION COOLING CAPACITY ELECTRICAL DESIGNATION DRIVE PACKAGE | RLMA- A 036-048 J/C K | RLMA- A 060 J/C K | RLMA- A 036-048 D K | RLMA- A 060 D K |
|---|-------|---|-----------------------------------|-------------------------------|---------------------------------|-----------------------------|
| BLOWER ASSEMBLY GROUP - DIRECT DRIVE | | | | | | |
| | Stk | Blower Assembly - Direct Drive | AS-59050-03 | AS-59050-06 | AS-59050-09 | AS-59050-11 |
| 46 | | Housing | AS-58944-01 | AS-58944-01 | AS-58944-01 | AS-58944-01 |
| 47 | Stk | Wheel | 70-23110-30 | 70-23110-30 | 70-23110-30 | 70-23110-30 |
| 48 | | Cut-Off | AE-64401-05 | AE-64401-05 | AE-64401-05 | AE-64401-05 |
| 49 | Stk | Blower Motor | 51-23679-01 | 51-23555-02 | 51-23679-02 | 51-23555-03 |
| 50 | Stk | Capacitor - Blower Motor | 43-25134-04 | 43-20847-17 | 43-25134-04 | 43-25134-04 |
| 51 | | Motor Band | 70-19927-01 | 70-19927-01 | 70-19927-01 | 70-19927-01 |
| 52 | | Motor Mounting Arm (3) | 70-19929-02 | 70-19929-02 | 70-19929-02 | 70-19929-02 |
| 53 | | Blower Support | AE-58950-02 | AE-58950-02 | AE-58950-02 | AE-58950-02 |

| No. | Notes | MODEL TECHNICAL VARIATION COOLING CAPACITY ELECTRICAL DESIGNATION DRIVE PACKAGE | RLMA- A 036-048 C/D/Y L | RLMA- A 060 J/C/D/Y L | RLMA- A 072 C/D/Y L/M | RLMA- A 036-060 C/D M |
|---|-------|---|-------------------------------------|-----------------------------------|-----------------------------------|-----------------------------------|
| BLOWER GROUP - BELT DRIVE (Before F2004) | | | | | | |
| 54 | Stk | Blower Assembly (w/o Motor, Belt, and Sheaves) | AS-59056-13 | AS-59056-14 | AS-59056-06 | AS-59056-14 |
| 55 | | Housing | AS-58944-01 | AS-58944-01 | AS-58948-01 | AS-58944-01 |
| 56 | | Bearing Frame Tri-Arm (2) | 70-41723-03 | 70-41723-03 | 70-41723-02 | 70-41723-03 |
| 57 | Stk | Ball Bearing And Cushion (2) | 70-41722-03 | 70-41722-03 | 70-41722-03 | 70-41722-03 |
| 58 | Stk | Blower Shaft | 70-21933-02 | 70-21933-02 | 70-21933-02 | 70-21933-02 |
| 59 | Stk | Fixed Pitch Sheave | 71-21932-04 | 71-21932-03 | 71-21932-03 | 71-21932-03 |
| 60 | | Blower Support - Left (Housing to Evaporator Coil) | AE-58950-02 | AE-58950-02 | AE-58950-02 | AE-58950-02 |
| 61 | Stk | Wheel | 70-23589-01 | 70-23589-01 | 70-21773-01 | 70-23589-01 |
| 62 | | Cut-Off | AE-64401-05 | AE-64401-05 | AE-64401-05 | AE-64401-05 |
| 66 | | Blower Motor | See Blower Motor Group - Belt Drive | | | |
| 67 | | Variable Pitch Sheave | See Blower Motor Group - Belt Drive | | | |
| 68 | | Belt | See Blower Motor Group - Belt Drive | | | |

| No. | Notes | MODEL TECHNICAL VARIATION COOLING CAPACITY ELECTRICAL DESIGNATION DRIVE PACKAGE | RLMA- A 036-048 C/D/Y L | RLMA- A 060 J/C/D/Y L | RLMA- A 072 C/D/Y L/M | RLMA- A 036-060 C/D M |
|--|-------|---|-------------------------------------|-----------------------------------|-----------------------------------|-----------------------------------|
| BLOWER GROUP - BELT DRIVE (On or after F2004) | | | | | | |
| 54 | Stk | Blower Assembly (w/o Motor, Belt, and Sheaves) | AS-101336-01 | AS-101336-05 | AS-101336-03 | AS-101336-05 |
| 55 | | Housing | AS-101341-01 | AS-101341-01 | AS-101342-01 | AS-101341-01 |
| 56 | | Bearing Frame Tri-Arm (2) | 70-41723-03 | 70-41723-03 | 70-41723-02 | 70-41723-03 |
| 57 | Stk | Ball Bearing And Cushion (2) | 70-41911-01 | 70-41911-01 | 70-41911-01 | 70-41911-01 |
| 58 | Stk | Blower Shaft | 70-21933-02 | 70-21933-02 | 70-21933-02 | 70-21933-02 |
| 59 | Stk | Fixed Pitch Sheave | 71-21932-04 | 71-21932-03 | 71-21932-03 | 71-21932-03 |
| 60 | | Blower Support - Left (Housing to Evaporator Coil) | AE-58950-02 | AE-58950-02 | AE-58950-03 | AE-58950-02 |
| 61 | Stk | Wheel | 70-23589-01 | 70-23589-01 | 70-21773-01 | 70-23589-01 |
| 62 | | Cut-Off | AE-64401-05 | AE-64401-05 | AE-64401-18 | AE-64401-05 |
| 66 | | Blower Motor | See Blower Motor Group - Belt Drive | | | |
| 67 | | Variable Pitch Sheave | See Blower Motor Group - Belt Drive | | | |
| 68 | | Belt | See Blower Motor Group - Belt Drive | | | |

| No. | Notes | MODEL TECHNICAL VARIATION COOLING CAPACITY ELECTRICAL DESIGNATION DRIVE PACKAGE | RLMA- A 036/042 C/D L | RLMA- A 048 C/D L | RLMA- A 060 C/D L | RLMA- A 072 C/D L | RLMA- A 060 J L |
|---|-------|---|-----------------------------------|-------------------------------|-------------------------------|-------------------------------|-----------------------------|
| BLOWER MOTOR GROUP - BELT DRIVE (Before F2004) | | | | | | | |
| 66 | Stk | Blower Motor | 51-21911-01 | 51-21911-01 | 51-21912-01 | 51-41936-02 | 51-23571-03 |
| 67 | Stk | Variable Pitch Sheave | 71-40427-30 | 71-40427-29 | 71-40427-29 | 71-40427-29 | 71-40427-29 |
| 68 | Stk | Belt - On or before F2796 | 71-40235-40 | 71-40235-41 | 71-40235-39 | 71-40235-41 | 71-40235-39 |
| 68 | Stk | Belt - On or before F4298 | 71-40235-40 | 71-40235-41 | 71-40235-39 | 71-40235-40 | 71-40235-39 |
| 68 | Stk | Belt - After F4298 | 71-40235-40 | 71-40235-40 | 71-40235-40 | 71-40235-40 | 71-40235-40 |

| No. | Notes | MODEL TECHNICAL VARIATION COOLING CAPACITY ELECTRICAL DESIGNATION DRIVE PACKAGE | RLMA- A 036/042 C/D L | RLMA- A 048 C/D L | RLMA- A 060 C/D L | RLMA- A 072 C/D L | RLMA- A 060 J L |
|--|-------|---|-----------------------------------|-------------------------------|-------------------------------|-------------------------------|-----------------------------|
| BLOWER MOTOR GROUP - BELT DRIVE (On or after F2004) | | | | | | | |
| 66 | Stk | Blower Motor | 51-21911-01 | 51-21911-01 | 51-21912-01 | 51-41936-02 | 51-23571-03 |
| 67 | Stk | Variable Pitch Sheave | 71-40427-30 | 71-40427-29 | 71-40427-29 | 71-40427-29 | 71-40427-29 |
| 68 | Stk | Belt | 71-40235-43 | 71-40235-43 | 71-40235-42 | 71-40235-42 | 71-40235-42 |

| No. | Notes | MODEL TECHNICAL VARIATION COOLING CAPACITY ELECTRICAL DESIGNATION DRIVE PACKAGE | RLMA- A 036/042 C/D M | RLMA- A 048 C/D M | RLMA- A 060 C/D M | RLMA- A 072 C/D M | |
|---|-------|---|-----------------------------------|-------------------------------|-------------------------------|-------------------------------|--|
| BLOWER MOTOR GROUP - BELT DRIVE (Before F2004) | | | | | | | |
| 66 | Stk | Blower Motor | 51-21912-01 | 51-21912-01 | 51-41936-01 | 51-41936-02 | |
| 67 | Stk | Variable Pitch Sheave | 71-40427-25 | 71-40427-25 | 71-40427-25 | 71-40427-25 | |
| 68 | Stk | Belt - On or before F2796 | 71-40235-39 | N/A | N/A | N/A | |
| 68 | Stk | Belt - On or before F4298 | 71-40235-39 | 71-40235-40 | 71-40235-40 | 71-40235-42 | |
| 68 | Stk | Belt - After F4298 | 71-40235-40 | 71-40235-40 | 71-40235-40 | 71-40235-40 | |

| No. | Notes | MODEL TECHNICAL VARIATION COOLING CAPACITY ELECTRICAL DESIGNATION DRIVE PACKAGE | RLMA- A 036/042 C/D M | RLMA- A 048 C/D M | RLMA- A 060 C/D M | RLMA- A 072 C/D M | |
|--|-------|---|-----------------------------------|-------------------------------|-------------------------------|-------------------------------|--|
| BLOWER MOTOR GROUP - BELT DRIVE (On or after F2004) | | | | | | | |
| 66 | Stk | Blower Motor | 51-21912-01 | 51-21912-01 | 51-41936-01 | 51-41936-01 | |
| 67 | Stk | Variable Pitch Sheave | 71-40427-25 | 71-40427-25 | 71-40427-25 | 71-40427-25 | |
| 68 | Stk | Belt | 71-40235-43 | 71-40235-43 | 71-40235-43 | 71-40235-43 | |

| No. | Notes | MODEL TECHNICAL VARIATION COOLING CAPACITY ELECTRICAL DESIGNATION DRIVE PACKAGE | RLMA- A 036/042 Y L | RLMA- A 048 Y L | RLMA- A 060 Y L | RLMA- A 072 Y L |
|---|-------|---|---------------------------------|-----------------------------|-----------------------------|-----------------------------|
| BLOWER MOTOR GROUP - BELT DRIVE (Before F2004) | | | | | | |
| 66 | Stk | Blower Motor | 51-22241-02 | 51-22241-02 | 51-22241-02 | 51-42177-10 |
| 67 | Stk | Variable Pitch Sheave | 71-40427-30 | 71-40427-29 | 71-40427-29 | 71-40427-29 |
| 68 | Stk | Belt - On or before F2796 | 71-40235-40 | 71-40235-41 | 71-40235-39 | 71-40235-41 |
| 68 | Stk | Belt - On or before F4298 | 71-40235-40 | 71-40235-41 | 71-40235-39 | 71-40235-40 |
| 68 | Stk | Belt - After F4298 | 71-40235-40 | 71-40235-40 | 71-40235-40 | 71-40235-40 |

| No. | Notes | MODEL TECHNICAL VARIATION COOLING CAPACITY ELECTRICAL DESIGNATION DRIVE PACKAGE | RLMA- A 036/042 Y L | RLMA- A 048 Y L | RLMA- A 060 Y L | RLMA- A 072 Y L |
|--|-------|---|---------------------------------|-----------------------------|-----------------------------|-----------------------------|
| BLOWER MOTOR GROUP - BELT DRIVE (On or after F2004) | | | | | | |
| 66 | Stk | Blower Motor | 51-22241-02 | 51-22241-02 | 51-22241-02 | 51-42177-10 |
| 67 | Stk | Variable Pitch Sheave | 71-40427-30 | 71-40427-29 | 71-40427-29 | 71-40427-29 |
| 68 | Stk | Belt | 71-40235-43 | 71-40235-43 | 71-40235-42 | 71-40235-42 |

| No. | Notes | MODEL TECHNICAL VARIATION COOLING CAPACITY ELECTRICAL DESIGNATION DRIVE PACKAGE | RLMA- A 072 Y M | | | |
|---|-------|---|-----------------------------|--|--|--|
| BLOWER MOTOR GROUP - BELT DRIVE (Before F2004) | | | | | | |
| 66 | Stk | Blower Motor | 51-42177-10 | | | |
| 67 | Stk | Variable Pitch Sheave | 71-40427-25 | | | |
| 68 | Stk | Belt - On or before F4298 | 71-40235-42 | | | |
| 68 | Stk | Belt - After F4298 | 71-40235-40 | | | |

| No. | Notes | MODEL TECHNICAL VARIATION COOLING CAPACITY ELECTRICAL DESIGNATION DRIVE PACKAGE | RLMA- A 072 Y M | | | |
|--|-------|---|-----------------------------|--|--|--|
| BLOWER MOTOR GROUP - BELT DRIVE (On or after F2004) | | | | | | |
| 66 | Stk | Blower Motor | 51-42177-10 | | | |
| 67 | Stk | Variable Pitch Sheave | 71-40427-25 | | | |
| 68 | Stk | Belt | 71-40235-43 | | | |

| No. | Notes | MODEL TECHNICAL VARIATION VARIATIONS | | RLMA- A ALL |
|--|-------|--|--|-------------------|
| BLOWER MOTOR MOUNTING - BELT DRIVE (Before F4897) | | | | |
| 63 | | MOTOR MOUNTING (WITHOUT GROMMETS): | | |
| 63A | | Right Blower Support | | AE-59060-01 |
| 63B | | Motor Mounting Assembly | | AS-59058-01 |
| 63C | | Motor Mounting Base | | AE-59052-01 |
| 63D | | Motor Mounting Top | | AS-59054-01 |
| 63E | | Tread Plate | | 63-23587-01 |
| 63F | | Bolt | | 63-19919-06 |

| No. | Notes | MODEL TECHNICAL VARIATION VARIATIONS | | RLMA- A ALL |
|--|-------|---|--|-------------------|
| BLOWER MOTOR MOUNTING - BELT DRIVE (F4897-F4298) | | | | |
| 64 | | MOTOR MOUNTING (WITH 6 GROMMETS): | | |
| 64A | | Right Blower Support | | AE-59060-01 |
| 64B | | Motor Mounting Assembly | | AS-59058-02 |
| | | Motor Support Channel under Adjusting Plate | | AE-59341-01 |
| 64C | | Motor Adjusting Plate | | AE-59052-02 |
| 64D | | Motor Mounting Top | | AS-59054-01 |
| 64E | | Treaded Plate | | 63-23587-01 |
| 64F | | Motor Adjustment Bracket | | AE-59340-01 |
| 64G | | Bolt | | 63-19919-06 |
| | | Grommet (6) | | 56-18518-04 |
| | | Bolts (6) | | 63-20072-03 |

| No. | Notes | MODEL TECHNICAL VARIATION VARIATIONS | | RLMA- A ALL |
|---|-------|--|--|-------------------|
| BLOWER MOTOR MOUNTING - BELT DRIVE (F4897-F2004) | | | | |
| 65 | | MOTOR MOUNTING (WITH 4 GROMMETS): | | |
| 65A | | Right Blower Support | | AE-59060-02 |
| 65B | | Right Blower Support Bracket | | AE-59174-01 |
| 65C | | Motor Mounting Assembly | | AS-59058-03 |
| 65D | | Motor Mounting Base | | AE-59052-03 |
| 65E | | Motor Mounting Top | | AS-59054-01 |
| 65F | | Threaded Plate | | 63-23587-01 |
| 65G | | Grommet (4) | | 56-18518-04 |
| 65H | | Bolt | | 63-19919-06 |

| No. | Notes | MODEL TECHNICAL VARIATION COOLING CAPACITY ELECTRICAL DESIGNATION DRIVE PACKAGE | RLMA- A 036-060 J/C/D/Y L/M | RLMA- A 072 C/D/Y L/M |
|---|-------|---|---|-----------------------------------|
| BLOWER MOTOR MOUNTING - BELT DRIVE (After F2004) | | | | |
| 91 | | Blower Bracket | AE-101124-01 | AE-101124-05 |
| 92 | | Blower Bracket (Drive Side) | AE-101124-04 | AE-101124-03 |
| 93 | | Grommet | 56-18518-04 | 56-18518-04 |
| 94 | | Motor Mounting Assembly (individual items not available) | AS-101340-01 | AS-101340-01 |
| 95 | | Cross Brace | AE-101467-01 | AE-101467-01 |

| No. | Notes | MODEL TECHNICAL VARIATION COOLING CAPACITY | RLMA- A 036 | RLMA- A 042 | RLMA- A 048 | RLMA- A 060 | RLMA- A 072 |
|-------------------------|-------|---|-------------------|-------------------|-------------------|-------------------|-------------------|
| COIL GROUP | | | | | | | |
| EVAPORATOR COIL: | | | | | | | |
| 69 | Stk | Evaporator Coil - (Includes The Metering Devices And Top Air Stop) Before F2104 | AS-59070-05 | AS-59070-06 | AS-59070-07 | AS-59070-08 | AS-59070-15 |
| 69 | Stk | Evaporator Coil - (Includes The Metering Devices And Top Air Stop) After F2104 | AS-59070-05 | AS-59070-19 | AS-59070-07 | AS-59070-08 | AS-59070-15 |
| | | Captube Assembly (Circuit #1) - Before F3506 | N/A | N/A | N/A | N/A | AS-59031-08 |
| | | Captube Assembly (Circuit #2) - Before F3506 | N/A | N/A | N/A | N/A | AS-59031-09 |
| | | Captube Assembly (Circuit #1) - After F3506 | N/A | N/A | N/A | N/A | 83-100632-15 |
| | | Captube Assembly (Circuit #2) - After F3506 | N/A | N/A | N/A | N/A | 83-100632-15 |
| 70 | | Expansion Valve Distributor - Before F2104 | 83-21364-01 | 83-21364-05 | 83-21364-06 | 83-21364-06 | N/A |
| 70 | | Expansion Valve Distributor - After F2104 | 83-21364-01 | 83-21364-01 | 83-21364-06 | 83-21364-06 | N/A |
| 71 | Stk | Expansion Valve | 61-21922-59 | 61-21922-60 | 61-21922-61 | 61-21922-62 | N/A |
| 72 | | Top Air Stop | AE-58933-01 | AE-58933-01 | AE-58933-01 | AE-58933-01 | AE-58933-02 |
| 73 | | Top Coil Support | AE-58941-01 | AE-58941-01 | AE-58941-01 | AE-58941-01 | AE-58941-01 |
| 74 | | Indoor Coil Drain Pan | 68-23559-01 | 68-23559-01 | 68-23559-01 | 68-23559-01 | 68-23559-02 |
| 76 | | Filter Channels (Center is two channels back-to-back) (3) | AE-58934-01 | AE-58934-01 | AE-58934-01 | AE-58934-01 | AE-58934-03 |
| | | Filter Keeper | AE-59168-01 | AE-59168-01 | AE-59168-01 | AE-59168-01 | AE-59168-01 |
| 78 | | Filter - Disposable | 54-17531-10 | 54-17531-10 | 54-17531-10 | 54-17531-10 | 54-17531-24 |
| 81 | Stk | Filter Drier | 83-25151-16 | 83-25151-16 | 83-25151-16 | 83-25151-16 | 83-25151-16 |
| CONDENSER COIL: | | | | | | | |
| 75 | Stk | Condenser Coil | AS-59074-01 | AS-59074-01 | AS-58957-01 | AS-58964-01 | AS-59290-01 |

| No. | Notes | MODEL TECHNICAL VARIATION COOLING CAPACITY ELECTRICAL DESIGNATION | RLMA- A 036 J | RLMA- A 042 J | RLMA- A 048 J | RLMA- A 060 J | RLMA- A 036 C | RLMA- A 042 C | RLMA- A 048 C |
|-------------------------|-------|--|------------------------|------------------------|------------------------|------------------------|------------------------|------------------------|------------------------|
| COMPRESSOR GROUP | | | | | | | | | |
| | | Compressor ID: | 5676 | 5680 | 5684 | 5688 | 5677 | 5681 | 5685 |
| 79 | Stk | Compressor | 55-23139-57S | 55-23139-62S | 55-23139-25S | 55-23139-29S | 55-23139-58S | 55-23139-63S | 55-23139-26S |
| 40 | Stk | Dual Run Capacitor - Round | 43-23204-15 | 43-23204-17 | 43-23204-19 | 43-23204-30 | N/A | N/A | N/A |
| | | Compressor ID: | 5268 | 5272 | 5276 | 5280 | 5269 | 5273 | 5277 |
| 79 | Stk | Compressor | 55-21737-57S | 55-21737-62 | 55-21737-25S | 55-21737-29S | 55-21737-58S | 55-21737-63S | 55-21737-26S |
| 40 | Stk | Dual Run Capacitor - Round | 43-23204-15 | 43-23204-17 | 43-23204-19 | 43-23204-30 | N/A | N/A | N/A |
| 38 | Stk | Time Delay Relay | 42-22756-01 | 42-22756-01 | 42-22756-01 | 42-22756-01 | N/A | N/A | N/A |
| | | Compressor ID: | | | 6844 | | | | 6840 |
| 79 | Stk | Compressor | | | 55-23139-18S | | | | 55-23158-01S |
| 40 | Stk | Dual Run Capacitor - Round | | | 43-26261-20 | | | | N/A |

| No. | Notes | MODEL TECHNICAL VARIATION COOLING CAPACITY ELECTRICAL DESIGNATION | RLMA- A 060 C | RLMA- A 072 C | RLMA- A 036 D | RLMA- A 042 D | RLMA- A 048 D | RLMA- A 060 D | RLMA- A 072 D |
|-------------------------|-------|--|------------------------|------------------------|------------------------|------------------------|------------------------|------------------------|------------------------|
| COMPRESSOR GROUP | | | | | | | | | |
| | | Compressor ID: | 5689 | 6652 | 5678 | 5682 | 5686 | 5690 | 6653 |
| 79 | Stk | Compressor | 55-23139-30S (1) | 55-23139-53S (2) | 55-23139-59S (1) | 55-23139-64S (1) | 55-23139-27S (1) | 55-23139-31S (1) | 55-23139-54S (2) |
| | | Compressor ID: | 5281 | | 5270 | 5274 | 5278 | 5282 | |
| 79 | Stk | Compressor | 55-21737-30S (1) | | 55-21737-59S (1) | 55-21737-64S (1) | 55-21737-27S (1) | 55-21737-31S | |
| | | Compressor ID: | | | | | 6842 | | |
| 79 | Stk | Compressor | | | | | 55-23158-02S (1) | | |

| No. | Notes | MODEL TECHNICAL VARIATION COOLING CAPACITY ELECTRICAL DESIGNATION | RLMA- A 042 Y | RLMA- A 048 Y | RLMA- A 060 Y | RLMA- A 072 Y | | | |
|-------------------------|-------|--|------------------------|------------------------|------------------------|------------------------|--|--|--|
| COMPRESSOR GROUP | | | | | | | | | |
| | | Compressor ID: | 5683 | 5687 | 5691 | 6654 | | | |
| 79 | Stk | Compressor | 55-23139-65S (1) | 55-23139-28S (1) | 55-23139-32S (1) | 55-23139-55S (2) | | | |
| | | Compressor ID: | 5275 | 5279 | 5283 | | | | |
| 79 | Stk | Compressor | 55-21737-65S (1) | 55-21737-28S (1) | 55-21737-32S (1) | | | | |
| | | Compressor ID: | | 6846 | | | | | |
| 79 | Stk | Compressor | | 55-23158-03S (1) | | | | | |

| | | | | | | | | | |
|--------------------|-------|------------------------|-------|-----------|-----------|-----------|-----------|-----------|-----------|
| No. | Notes | MODEL | RLMA- | RLMA- | RLMA- | RLMA- | RLMA- | RLMA- | RLMA- |
| | | TECHNICAL VARIATION | A | A | A | A | A | A | A |
| | | ELECTRICAL DESIGNATION | J | J | J | J | J | J | J |
| | | ELECTRIC HEAT | 000 | 006 | 010 | 011 | 012 | 015 | 020 |
| HEATER KITS | | | | | | | | | |
| | | Heater Kit | N/A | RXJJ-A06J | RXJJ-A10J | RXJJ-A11J | RXJJ-A12J | RXJJ-A15J | RXJJ-A20J |

| | | | | | | | | | |
|--------------------|-------|------------------------|-----------|-------|-----------|-----------|-----------|-----------|-----------|
| No. | Notes | MODEL | RLMA- | RLMA- | RLMA- | RLMA- | RLMA- | RLMA- | RLMA- |
| | | TECHNICAL VARIATION | A | A | A | A | A | A | A |
| | | ELECTRICAL DESIGNATION | J | C | C | C | C | C | C |
| | | ELECTRIC HEAT | 021 | 000 | 006 | 010 | 011 | 012 | 015 |
| HEATER KITS | | | | | | | | | |
| | | Heater Kit | RXJJ-A21J | N/A | RXJJ-A06C | RXJJ-A10C | RXJJ-A11C | RXJJ-A12C | RXJJ-A15C |

| | | | | | | | | | |
|--------------------|-------|------------------------|-----------|-----------|-----------|-------|-----------|-----------|-----------|
| No. | Notes | MODEL | RLMA- | RLMA- | RLMA- | RLMA- | RLMA- | RLMA- | RLMA- |
| | | TECHNICAL VARIATION | A | A | A | A | A | A | A |
| | | ELECTRICAL DESIGNATION | C | C | C | D | D | D | D |
| | | ELECTRIC HEAT | 020 | 021 | 024 | 000 | 006 | 009 | 010 |
| HEATER KITS | | | | | | | | | |
| | | Heater Kit | RXJJ-A20C | RXJJ-A21C | RXJJ-A24C | N/A | RXJJ-A06D | RXJJ-A09D | RXJJ-A10D |

| | | | | | | | | | |
|--------------------|-------|------------------------|-----------|-----------|-----------|-----------|-----------|-----------|--|
| No. | Notes | MODEL | RLMA- | RLMA- | RLMA- | RLMA- | RLMA- | RLMA- | |
| | | TECHNICAL VARIATION | A | A | A | A | A | A | |
| | | ELECTRICAL DESIGNATION | D | D | D | D | D | D | |
| | | ELECTRIC HEAT | 011 | 012 | 015 | 020 | 021 | 024 | |
| HEATER KITS | | | | | | | | | |
| | | Heater Kit | RXJJ-A11D | RXJJ-A12D | RXJJ-A15D | RXJJ-A20D | RXJJ-A21D | RXJJ-A24D | |

| | | | | | | | | | |
|--------------------|-------|------------------------|-------|-----------|-----------|-----------|--|--|--|
| No. | Notes | MODEL | RLMA- | RLMA- | RLMA- | RLMA- | | | |
| | | TECHNICAL VARIATION | A | A | A | A | | | |
| | | ELECTRICAL DESIGNATION | Y | Y | Y | Y | | | |
| | | ELECTRIC HEAT | 000 | 015 | 020 | 024 | | | |
| HEATER KITS | | | | | | | | | |
| | | Heater Kit | N/A | RXJJ-A15Y | RXJJ-A20Y | RXJJ-A24Y | | | |

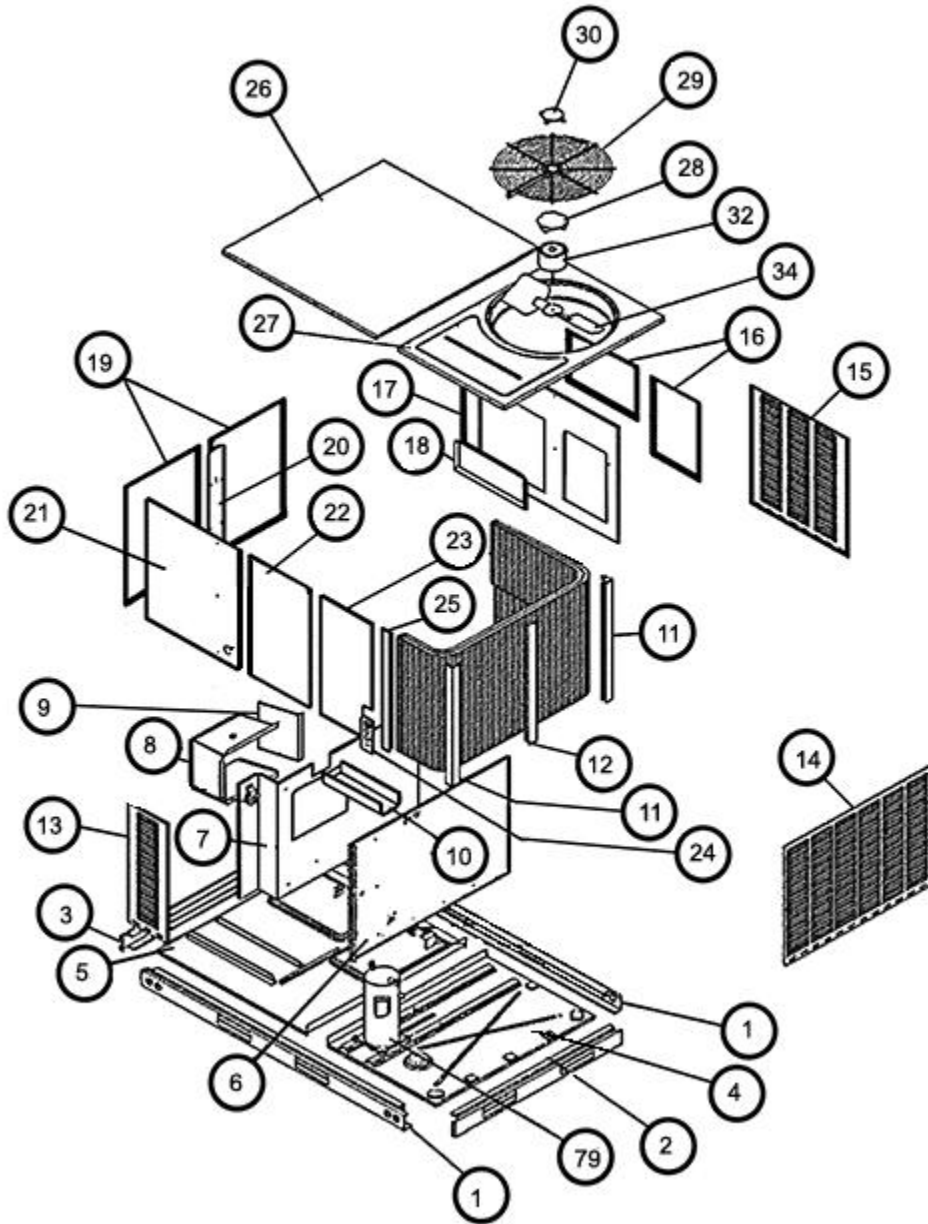
| | | | |
|--------------------|--------------|---|--------------------------------|
| No. | Notes | MODEL TECHNICAL VARIATION COOLING CAPACITY | RLMA- A 036-072 |
| ECONOMIZERS | | | |
| | | Economizer - Outdoor Air Sensor Field Install | RXRD-EECM2 |
| | | Economizer - Single Enthalpy Field | RXRD-EECM3 |
| | | Economizer - Dual Enthalpy | RXRD-EECM4 |

| | | | |
|--------------------|--------------|--|--------------------------------|
| No. | Notes | MODEL TECHNICAL VARIATION COOLING CAPACITY | RLMA- A 036-072 |
| ECONOMIZERS | | | |
| | | Economizer - Horizontal 3 Position | RXRE-CCA30 |
| | | Economizer - Horizontal Modulating | RXRD-CCM10 |
| | | Economizer - 3 Position | RXRE-CBA20 |
| | | Economizers - Fully Modulating Enthalpy -Downflow | RXRD-CBM10 |
| | | Fresh Air Damper - Fixed | RXRF-FBA1 |
| | | Fresh Air Damper - 0-35% | RXRF-FBB1 |
| | | Modulating Economizer - Downflow With Power Exhaust (Voltage: J/C/D/N/P/Y) | RXRD-DB_M2 |

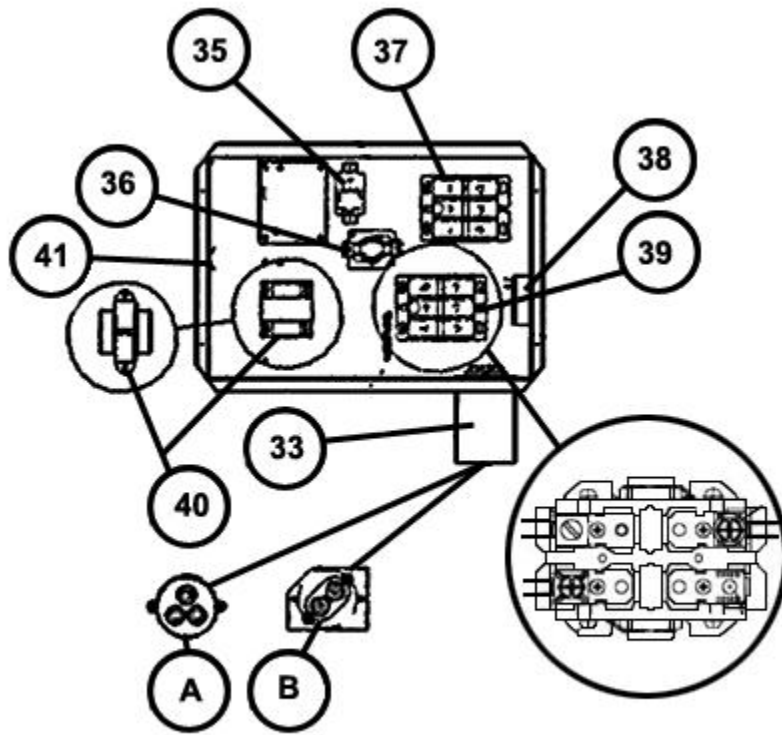
| | | | |
|----------------------|--------------|---|--------------------------------|
| No. | Notes | MODEL TECHNICAL VARIATION COOLING CAPACITY | RLMA- A 036-072 |
| POWER EXHAUST | | | |
| | | Power Exhaust - C Voltage | RRRX-BFF02C |
| | | Power Exhaust - D Voltage | RRRX-BFF02D |
| | | Power Exhaust - Y Voltage | RRRX-BFF02Y |

| | | | |
|-------------------------------------|--------------|---|----------------------------|
| No. | Notes | MODEL TECHNICAL VARIATION COOLING CAPACITY | RLMA- A ALL |
| OPTIONS AND ACCESSORIES KITS | | | |
| | | Louver Panel Kit (Option 597) | RRRX-AAD01B |

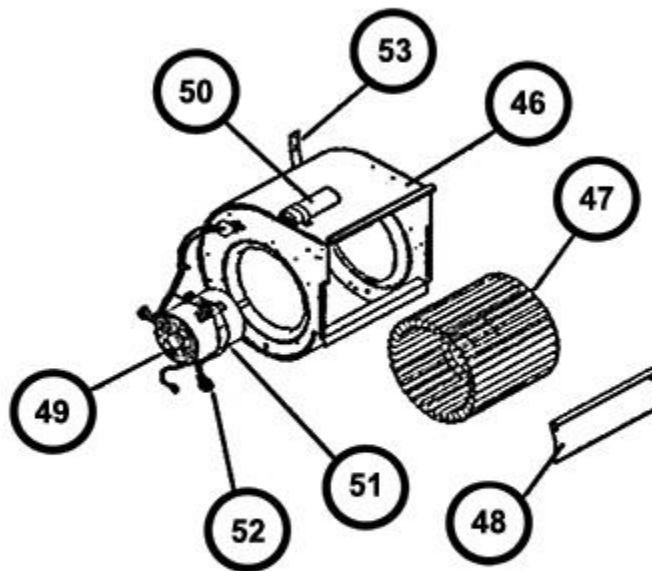
| | | | |
|---|--------------|---|--------------------------------|
| No. | Notes | MODEL TECHNICAL VARIATION COOLING CAPACITY | RLMA- A 036-072 |
| OPTIONS AND ACCESSORIES CONTROLS | | | |
| | | Low Ambient Control Kit | RXRZ-A18 |
| | | Zero Degree Ambient Kit | RXPZ-C01 |
| | | Time Delay Control Kit | RXMD-B01 |
| | | Low Pressure Control Kit | RXAC-A02 |
| | | High Pressure Control Kit | RXAB-A02 |
| | | Fully Modulating Differential Kit | RXRD-CBD10 |



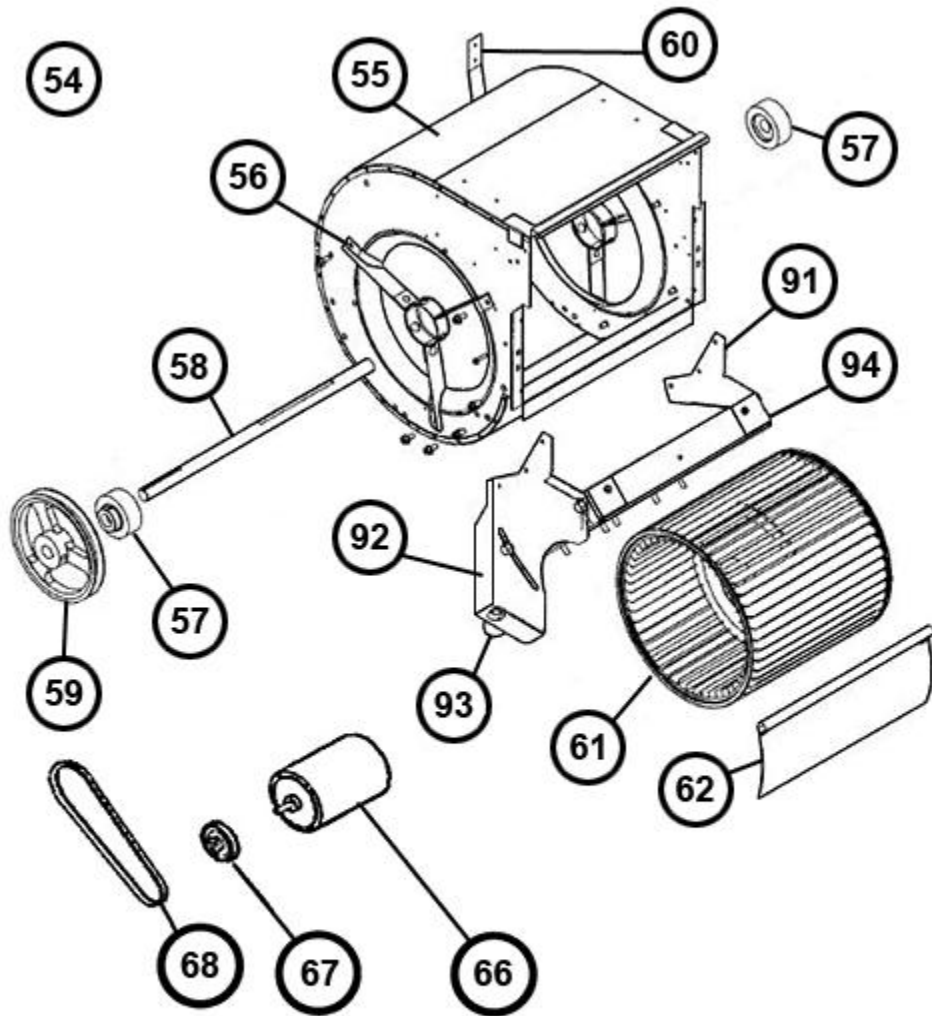
Exploded View



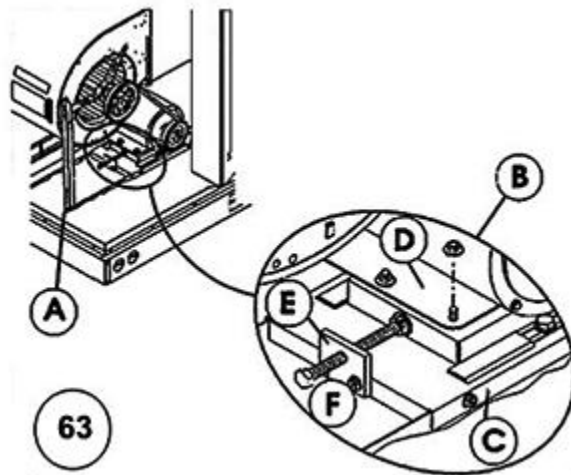
Control Box



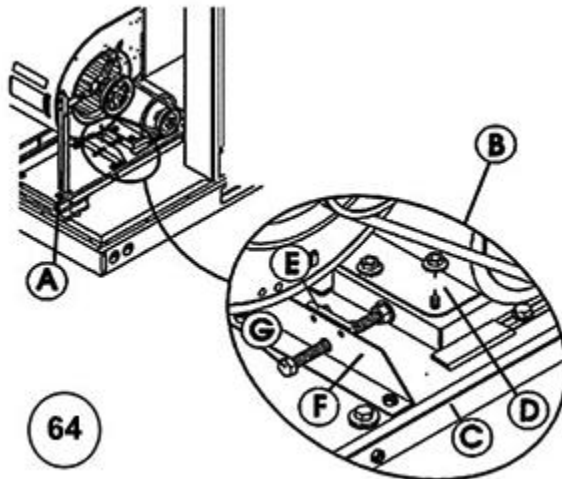
Blower Assembly - Direct Drive



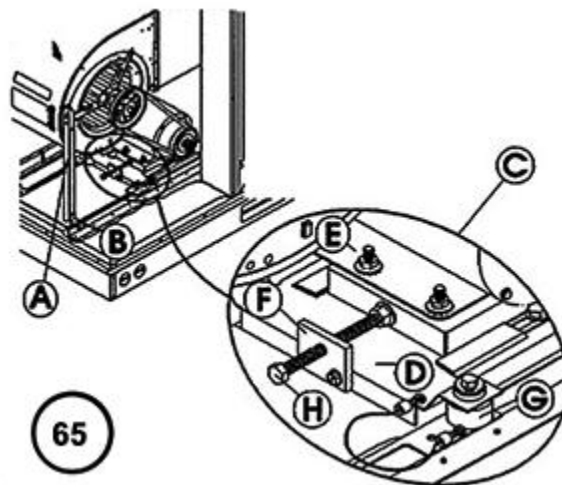
Blower Assembly - Belt Drive



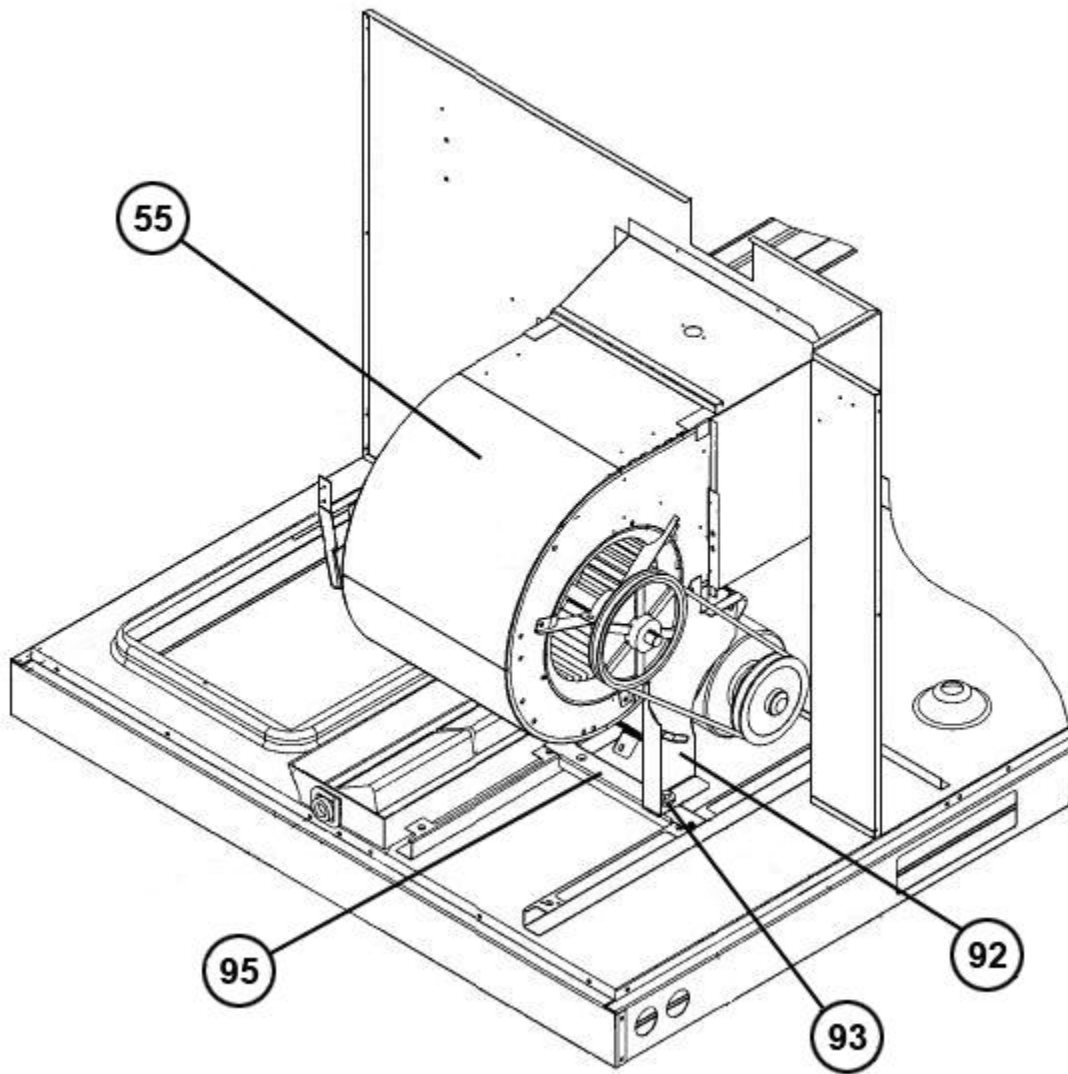
Blower Mounting - Date Code F4897 or Before



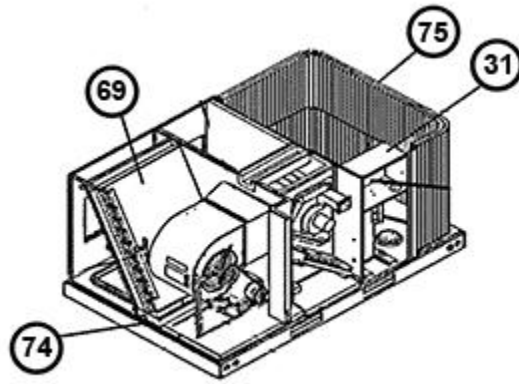
Blower Mounting - Date Codes F4897 - F4298



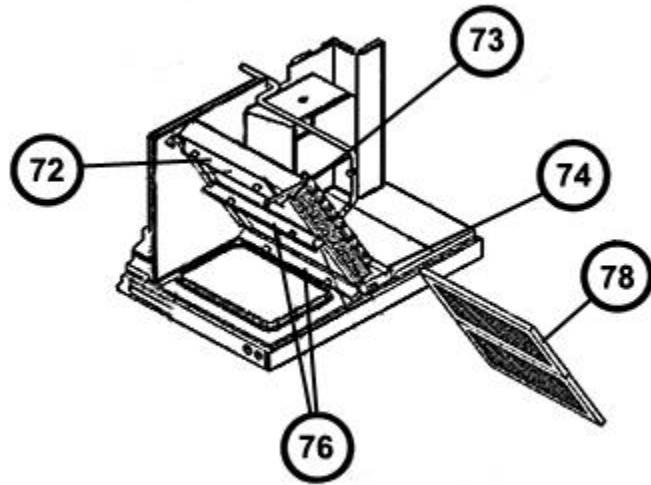
Blower Mounting - Date Codes F4298 - F2004



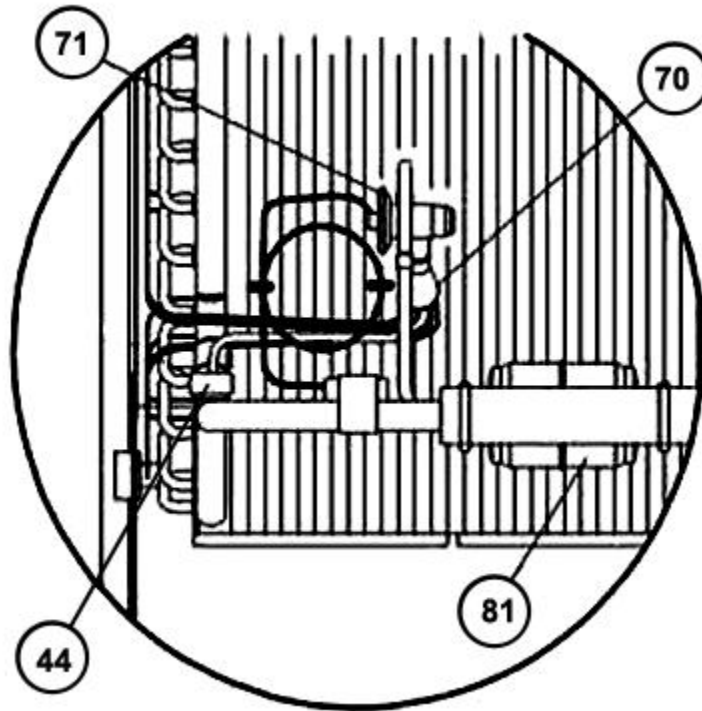
Blower Mounting - Date Code F2004 or After



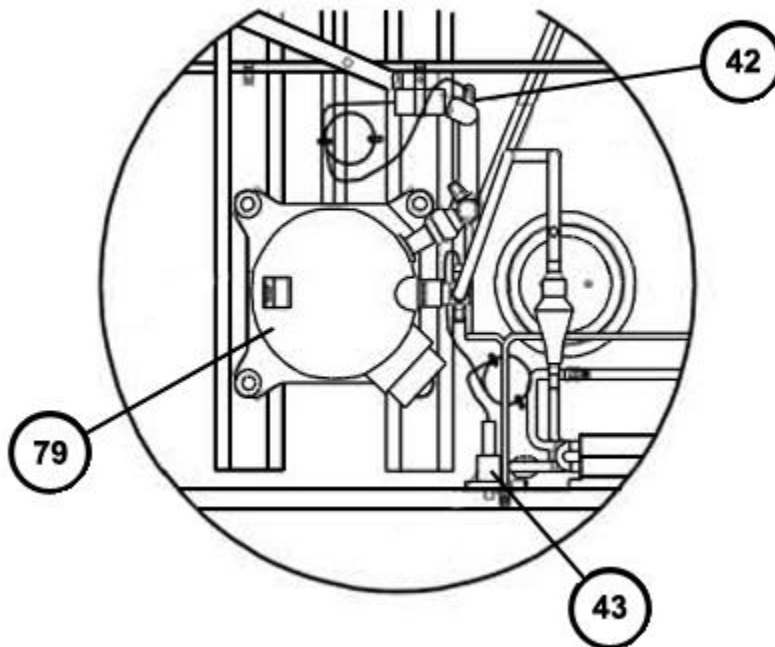
Coil Group Cut-away View



Evaporator Coil - Filter Parts



Freeze Stat Control



Compressor - Refrigeration Group

NOTES

Stk It is recommended that stock be maintained for this part.
N/A Not Applicable

DISCLAIMER: This document is intended to provide general replacement parts information to aid qualified service personnel in the repair of these models. The complete Model and Serial Number of the unit under repair should be specified when selecting and ordering replacement parts. Specifications and illustrations are subject to change without notice. Document 92-42800-RLMA supersedes all previous parts lists for these models. See <http://www.rheempartslists.net/92-42800-RLMA> for the latest revision of this document. The manufacturer assumes no obligation for errors or omissions. Service personnel must verify the proper and safe operation of equipment after the replacement of any original components.