

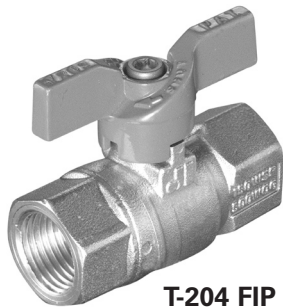
T-204 FIP x FIP



Blue Cap™ II Gas Ball Valves



ISO EN 9001:2000



**T-204 FIP x FIP
T-Handle**



**T-204 FIP x FIP
Teardrop Handle**

Description

1/4-turn, hot forged brass, 2-piece design, standard port, appliance type gas ball valves. Made in Italy. 100% tested.

Features

- Reversible tamper-proof, lockable handle
- Pressure rating: 600 WOG / 150 WSP
- Temp range: -40°F to 300°F
- Double Viton® O-ring stem design

Approvals

- CSA Certified ANSI Z21.15 .5 PSIG
- CSA Certified ASME B16.44 Above Ground Piping Systems up to 5 PSI (sizes: 1/4" - 1/2")
- For sizes above 1/2" use Model T-100NE
- UL Listed
 - YQNZ - Compressed gas shut-off valves
 - YRPV - Gas shut-off valves
 - YSDT - LP gas shut-off valves
 - MHKZ - Manual Valves
- Threads conform to ANSI B1.20.1

Lockable Handle Operation

The butterfly handle is reversible in the closed position by removing the allen wrench screw and reversing the handle 180° into the slot, which locks the handle in the close position.

Warranty

The Company, for a period of one year from the date of shipment, warrants each product or system of its own manufacture to the original purchaser to be free from defects in material and workmanship under normal use, service and maintenance.

Architect/Engineer approval

Job Name _____ Date _____
Model Specified _____ Quantity _____
Variations Specified _____
Customer/Wholesaler _____
Contractor _____
Architect _____

Note: Information subject to change without notice.



Jomar International Ltd.
7243 Miller Drive
Warren, MI 48092
Phone: 800-325-5690
Fax: 800-628-4194
www.jomar.com

© Copyright 2007 Printed in U.S.A.
T-204 FIPx FIP
0807

T-204 FIP x FIP

Blue Cap™ II Gas Ball Valves



Description

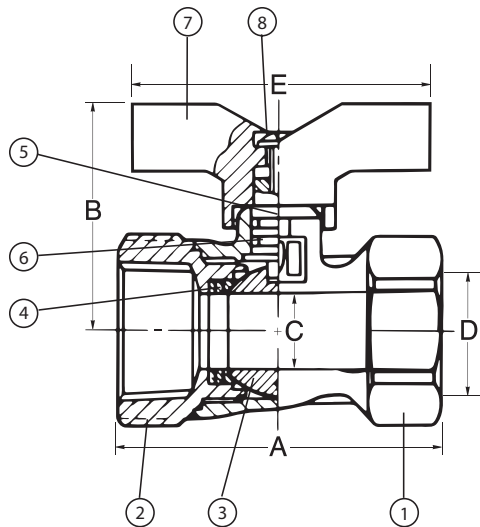
1/4-turn, hot forged brass, two-piece design, standard port, appliance type gas ball valves. Made in Italy. 100% tested.

Dimensions in Inches

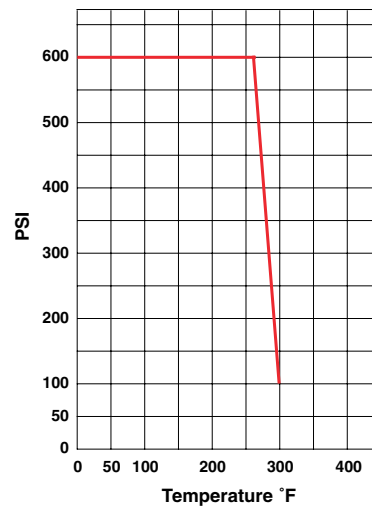
Computer No.	Valve Size	A	B	C	D	E	BTU
T-204 T-Handle							
101-401	1/4"	2.05	1.62	.47	.25	2.29	290,000
101-402	3/8"	2.33	1.62	.47	.38	2.29	390,000
101-403	1/2"	2.33	1.62	.47	.50	2.29	390,000
101-404	3/4"	2.40	1.71	.59	.75	2.29	720,000
T-204 Teardrop Handle							
101-411	1/4"	2.05	1.62	.47	.25	1.88	290,000
101-412	3/8"	2.33	1.62	.47	.38	1.88	390,000
101-413	1/2"	2.33	1.62	.47	.50	1.88	390,000
101-414	3/4"	2.40	1.71	.59	.75	1.88	720,000

Material Specifications

No.	Part Name	Materials
1	Body	Forged Brass
2	End Adapter	Forged Brass
3	Ball	Chrome Plated Brass
4	Seats(2)	PTFE
5	Stem	Brass
6	O-Rings(2)	Viton®
7	T-Handle/Tear Drop Handle	Aluminum
8	Handle Screw	Coated Steel



VALVE SEAT RATING



Note: Information subject to change without notice.



Jomar International Ltd.
7243 Miller Drive
Warren, MI 48092
Phone: 800-325-5690
Fax: 800-628-4194
www.jomar.com

© Copyright 2007 Printed in U.S.A.
T-204 FIPx FIP
0807