



model 9070
Filter

FEATURES & BENEFITS

OPTIONS

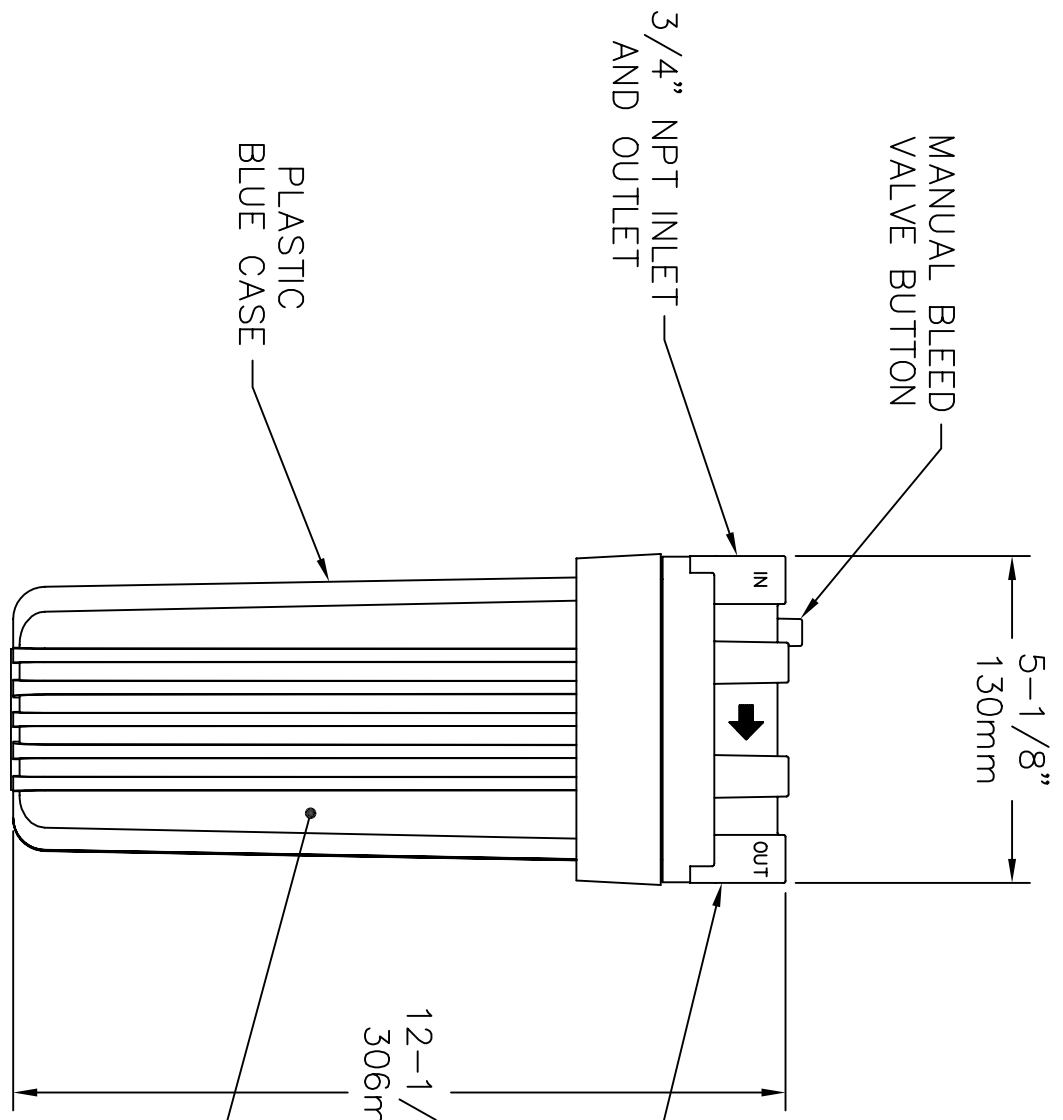
For more information, visit www.hawesco.com or call (888) 640-4297.



SPECIFICATIONS

Model 9070 Filter is recommended for installation on all eyewash units for additional protection for eyes. Made of FDA approved polypropylene with disposable FDA approved viscose fiber filter media which removes particles down to 20 microns. Flow Capacity: 7 gpm (26.5 L) max (recommended). Maximum Working Pressure: 125 psi (8.62 bar) Size: 15" (38.1 cm) overall by 5" (12.7 cm) diameter Supply: 3/4" NPT inlet and outlet.

APPLICATIONS



3/4" NPT INLET AND OUTLET

MANUAL BLEED VALVE BUTTON

5-1/8"
130mm

PLASTIC BLUE CASE

12-1/16"
306mm

PLASTIC BLACK CAP

REPLACEABLE 20 MICRON
FDA APPROVED VISCOS
FILTER ELEMENT MODEL 9070C
(INSIDE NOT SHOWN)

20 MICRON EYEWASH FILTER WITH 5 GPM FLOW CAPACITY AT A MAXIMUM WORKING PRESSURE OF 125 PSI AT 125° F.

		INFO FAX : 1-888-FAX-HAWS (1-888-329-4297) 1455 Kleppe Ln, Sparks NV, 89431 Phone: 775-359-4712 Fax: 775-359-7424 Haws Ag Bodweg 3 CH-3401 Burgdorf Switzerland Haws Mfg Pte Ltd 74 Sungai Kadut Loop Singapore 729531 e-mail: Haws@hawsco.com website: www.hawsco.com	
REVISIONS REVISION NO. DATE BY 1 3/5/03 RTM	TITLE: FILTER WITH DISPOSABLE 20 MICRON ELEMENT MODEL: 9070	SCALE: SC	DRAWING TYPE: ENVELOPE
PART NUMBER EN_9070	DRAWING NUMBER EN_9070	SHEET NO. 1 OF 1	REV. 1