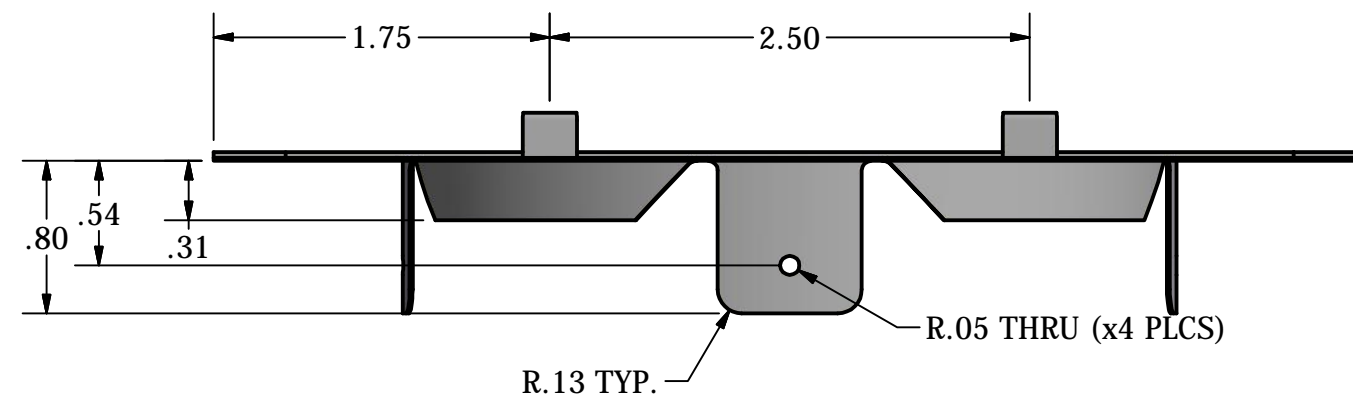
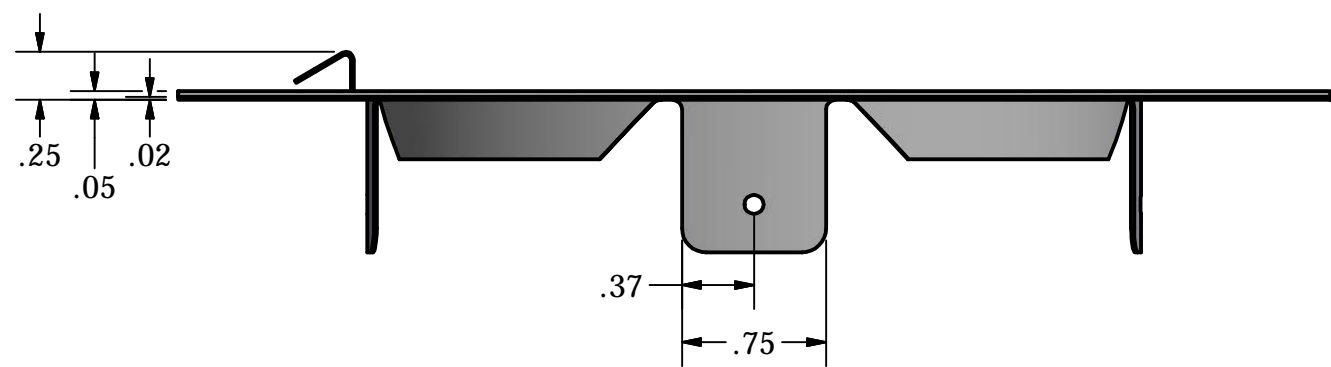
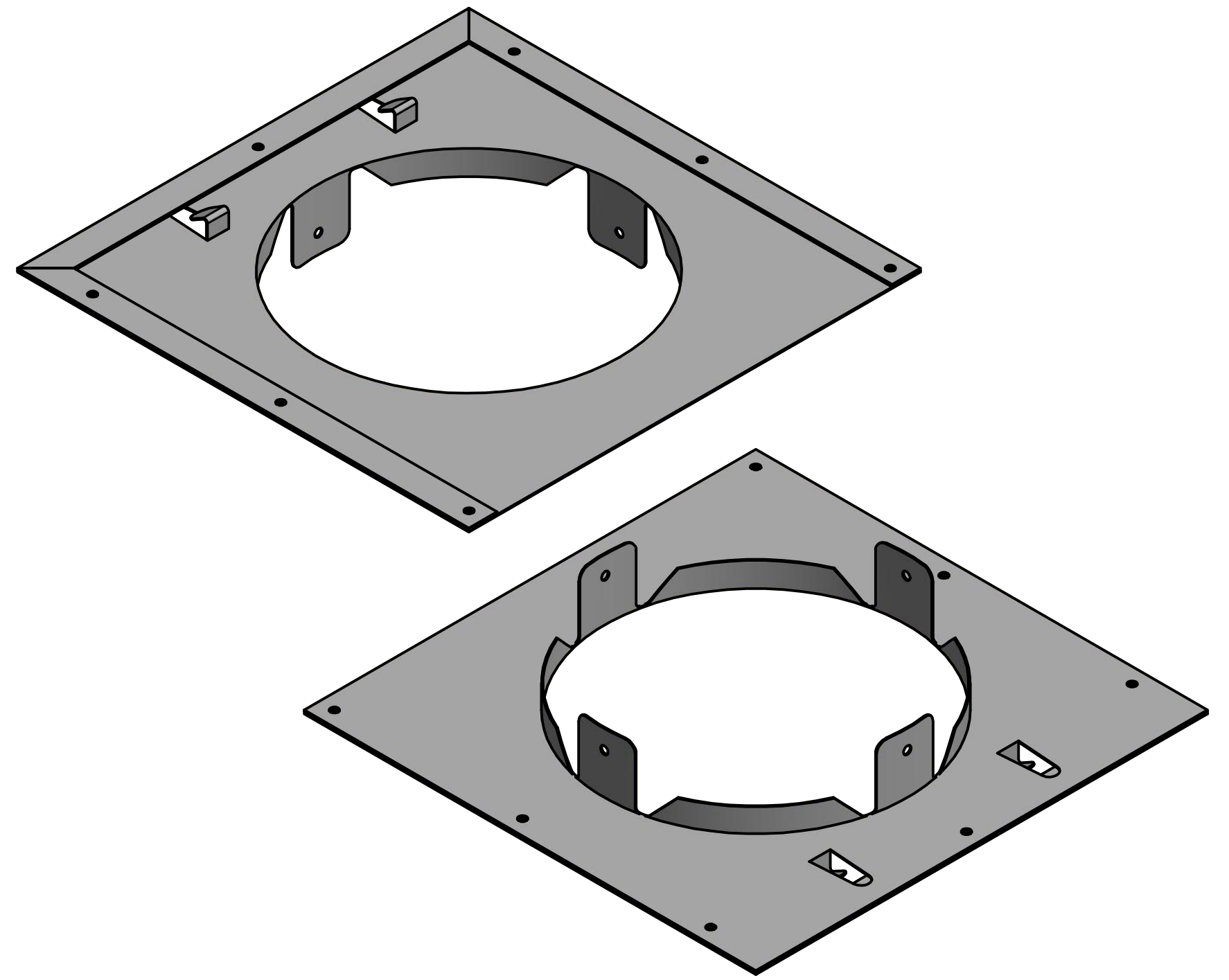
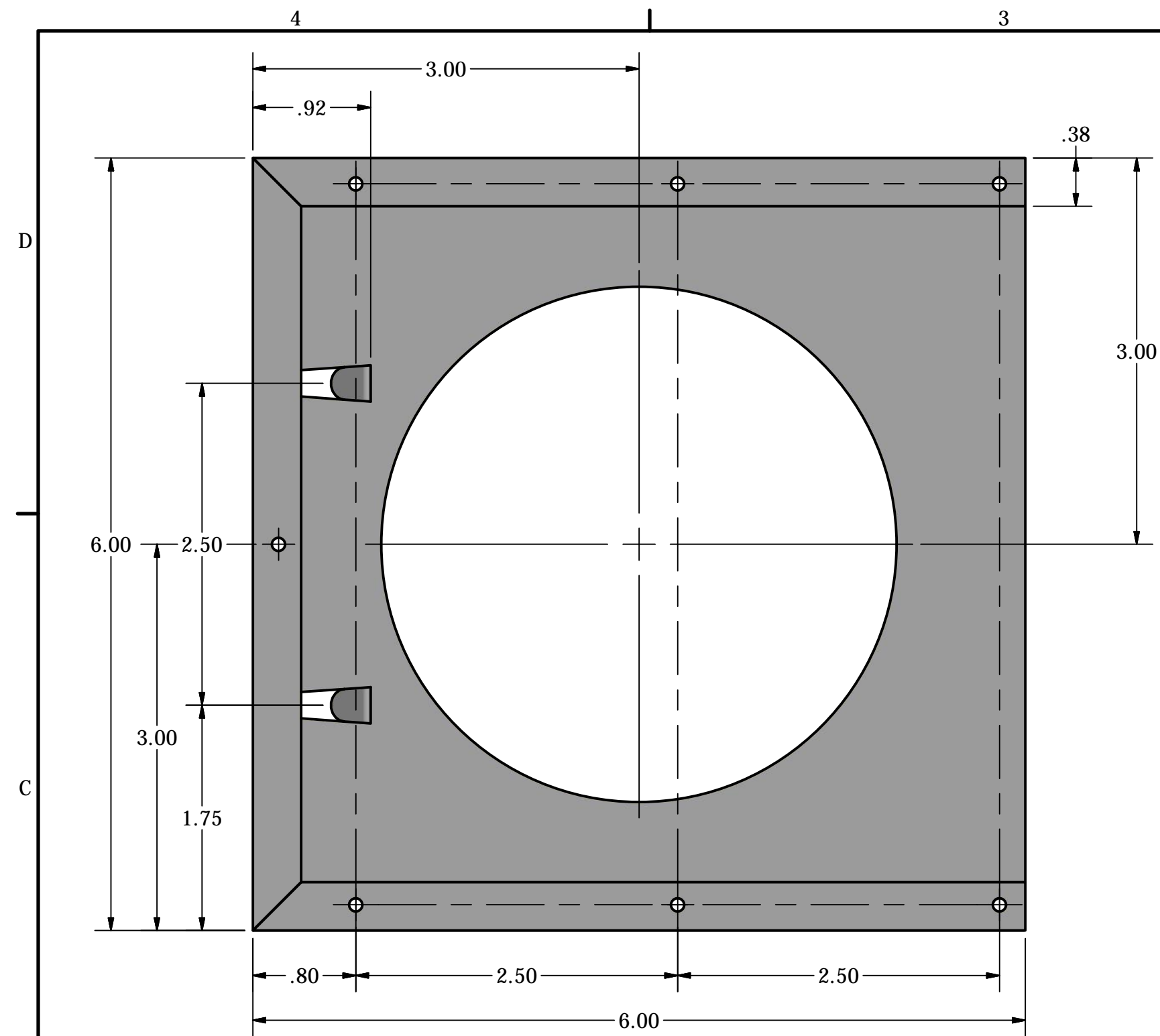
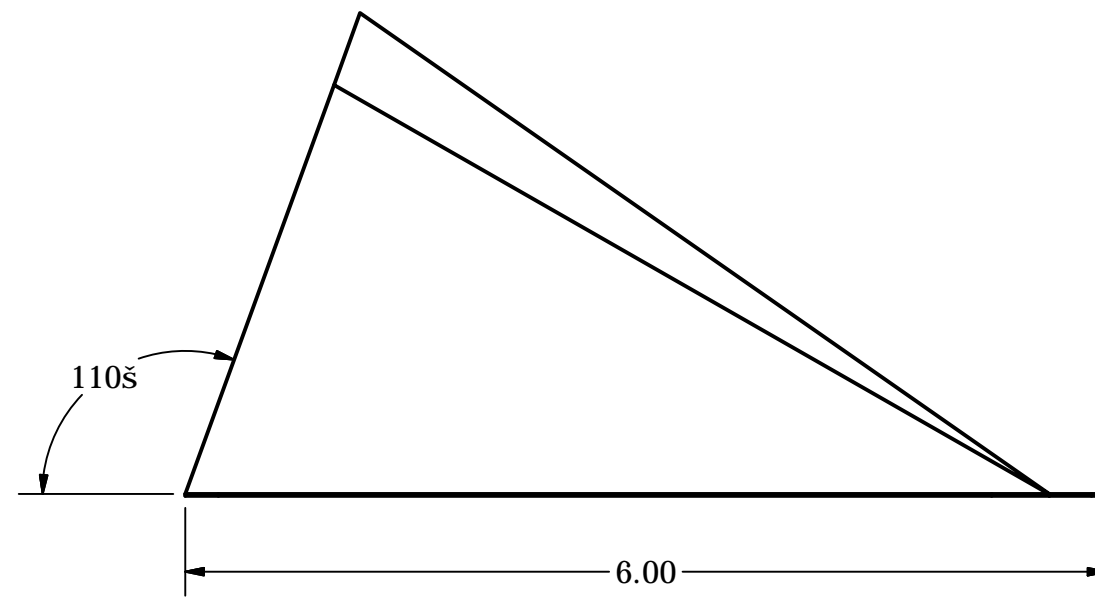
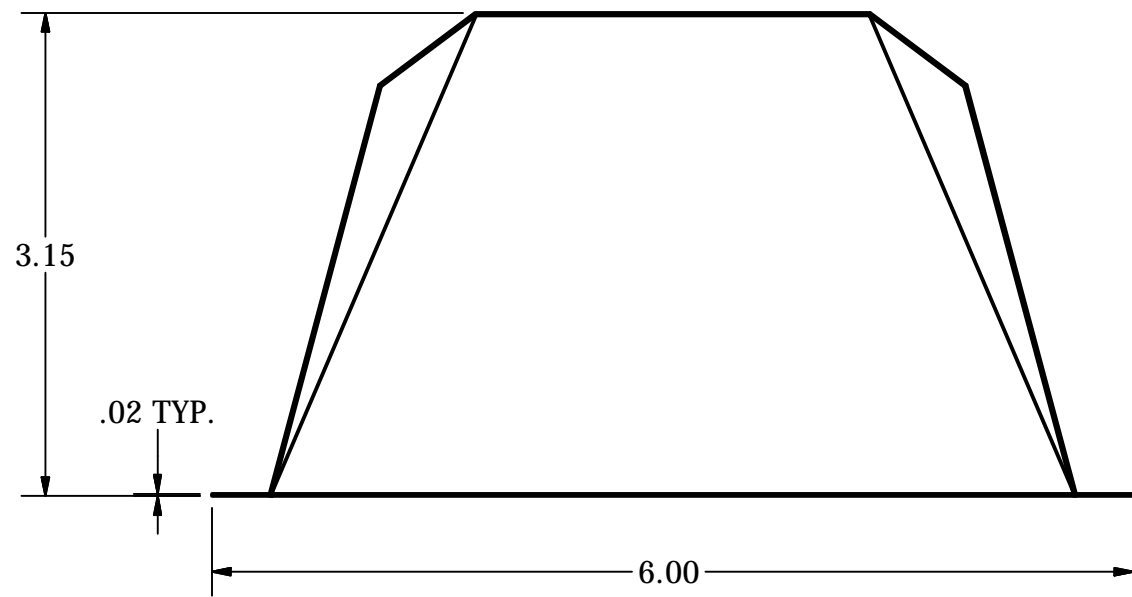
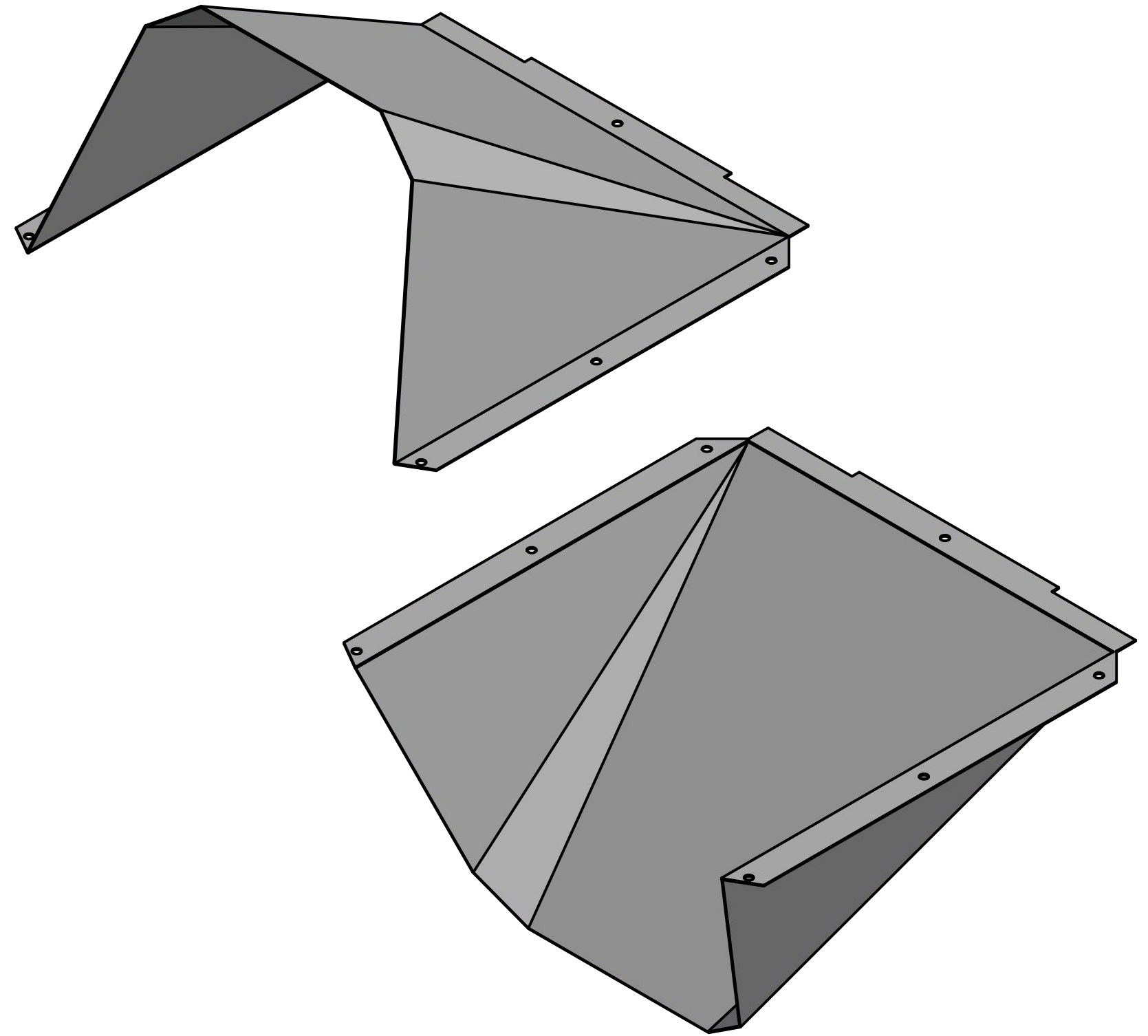
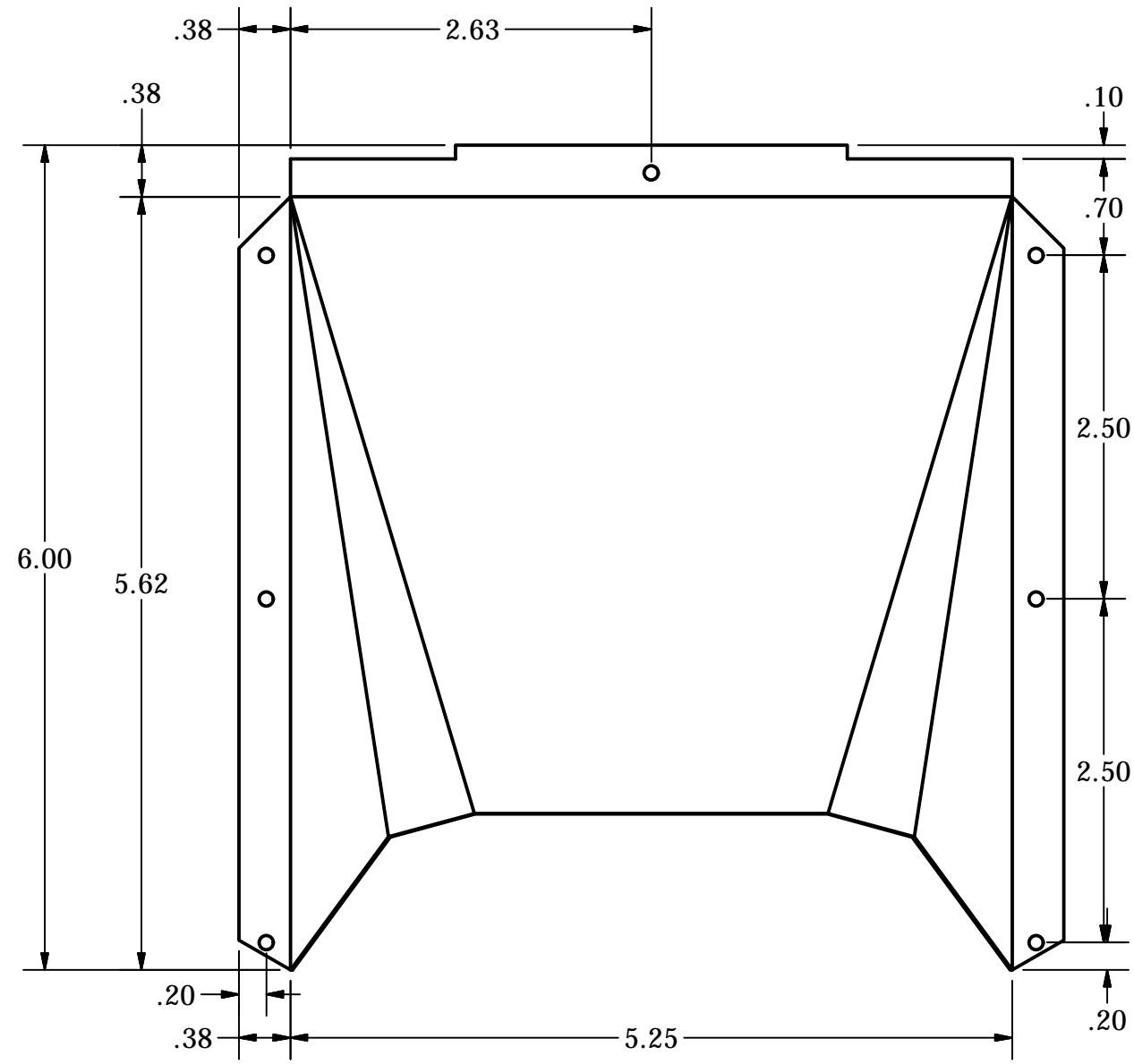


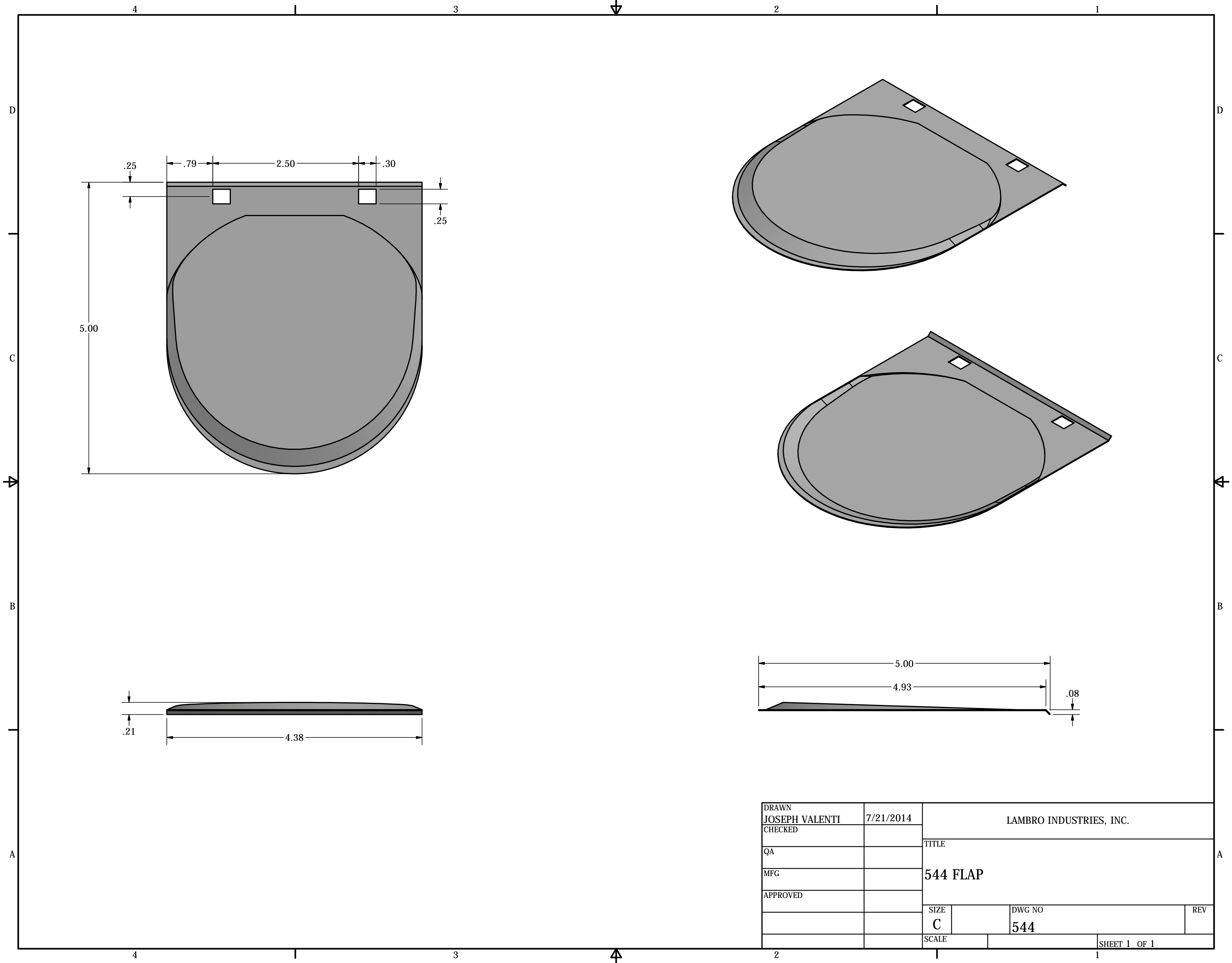
DRAWN	JOSEPH VALENTI	7/21/2014	LAMBRO INDUSTRIES, INC.	
CHECKED			TITLE	
QA			544 4" Aluminum Preferred Hood w/ Tail - 2	
MFG			1/2" Mouth Opening	
APPROVED			SIZE	DWG NO
			D	544 ASSEMBLY
			SCALE	SHEET 1 OF 1



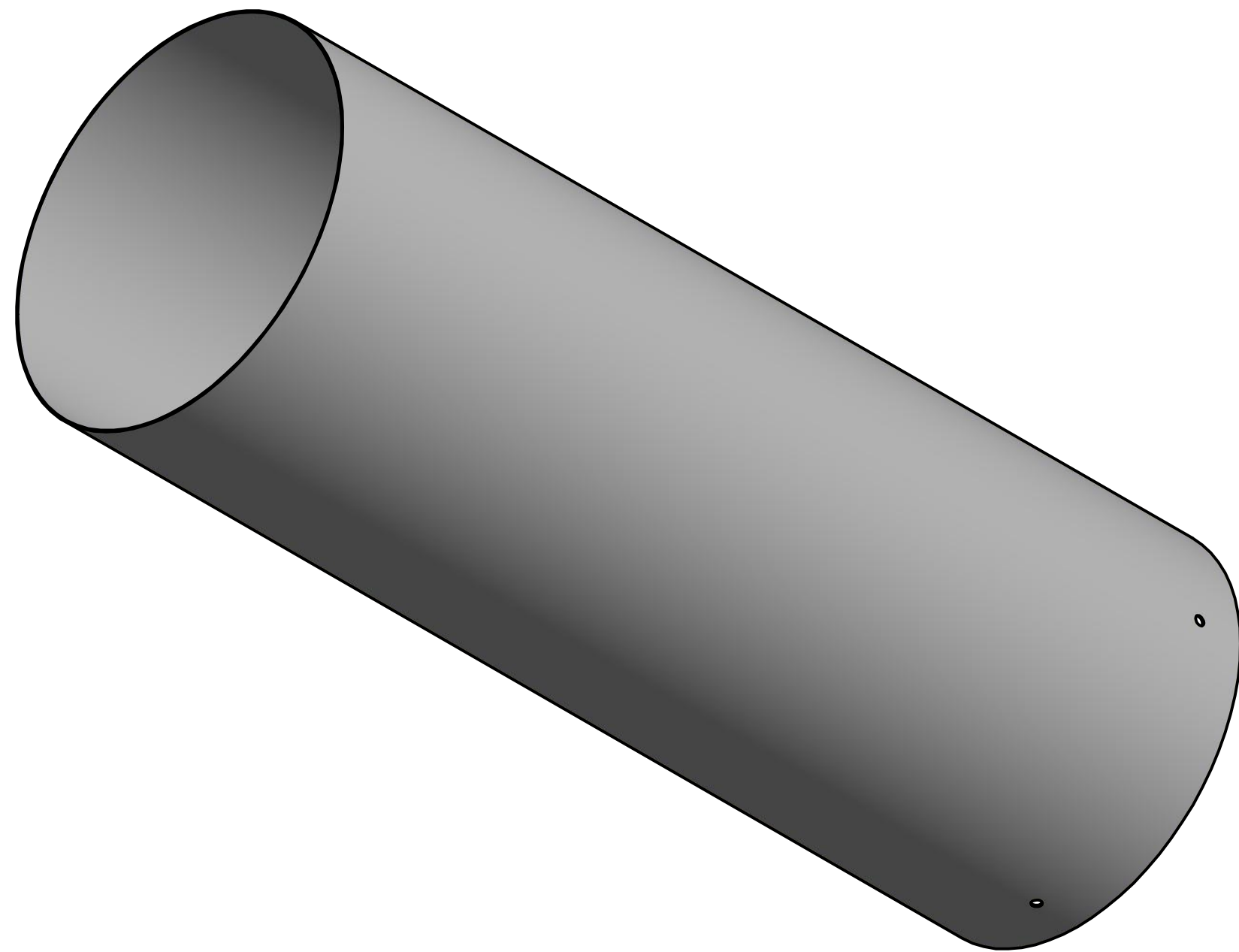
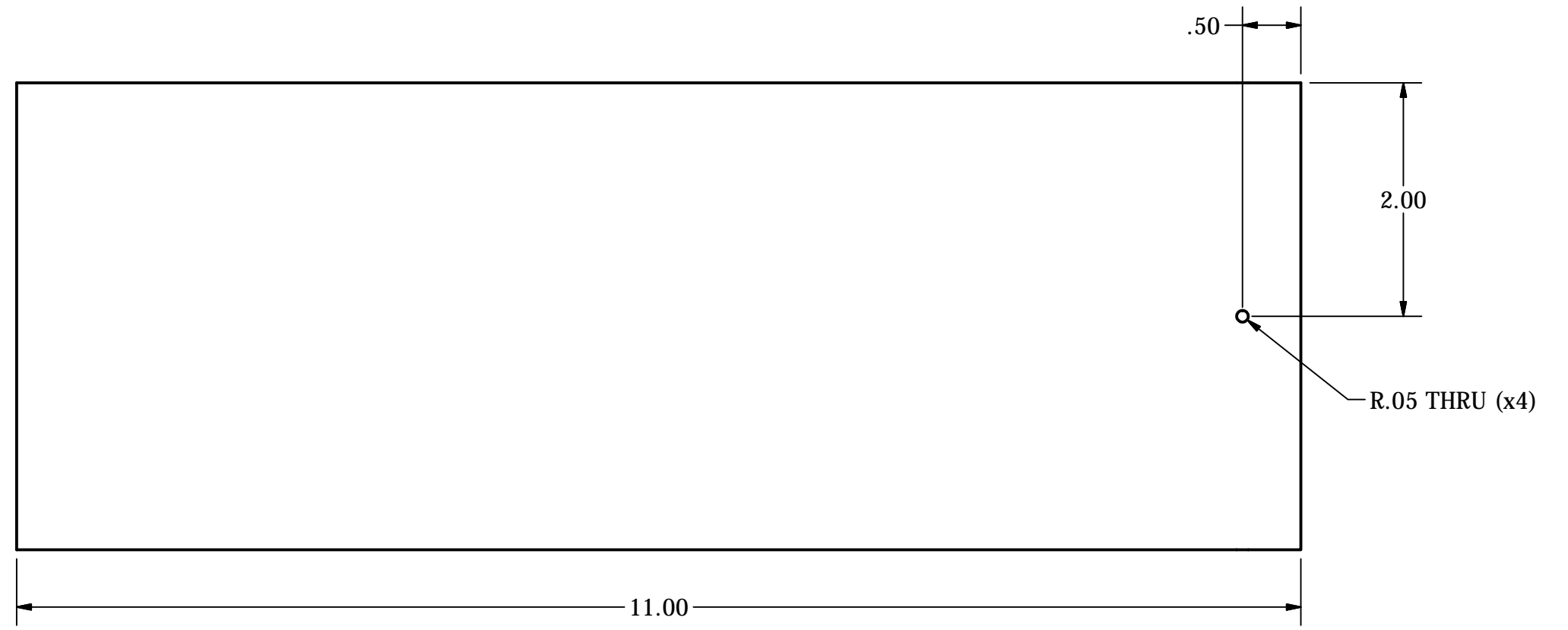
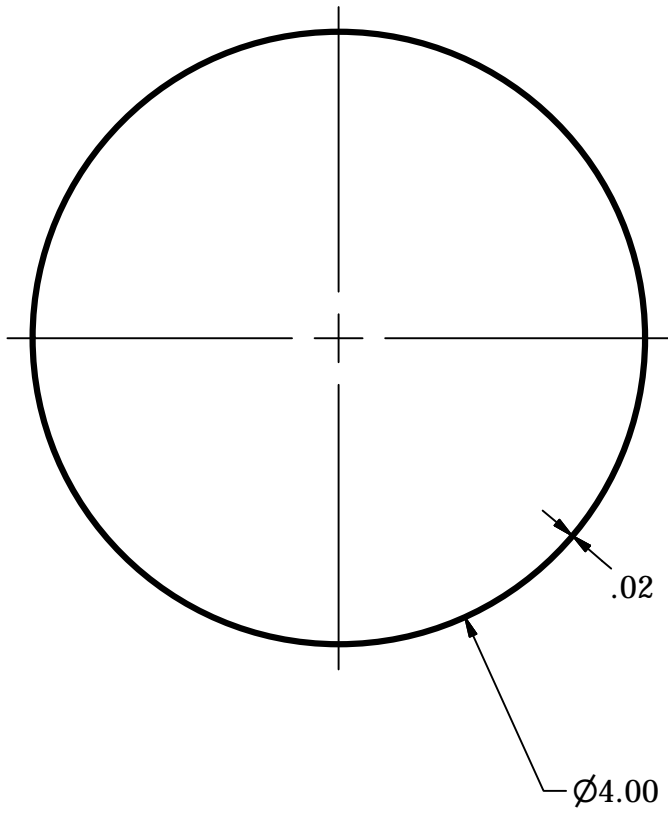
DRAWN JOSEPH VALENTI		7/21/2014		LAMBRO INDUSTRIES, INC.	
CHECKED				TITLE	
QA				544 BASE	
MFG				544	
APPROVED				544	
		SCALE		DWG NO	
		C		544	
		SCALE		SHEET 1 OF 1	



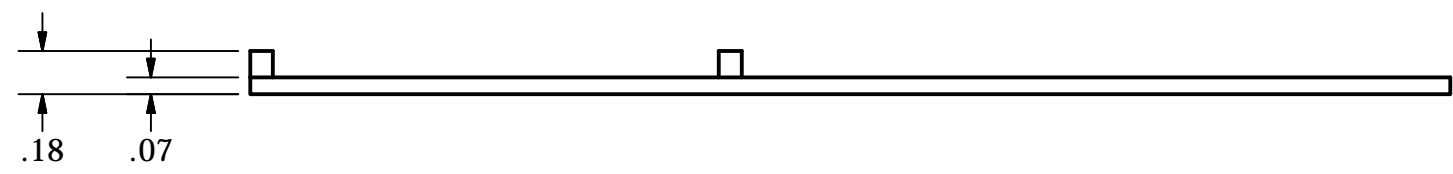
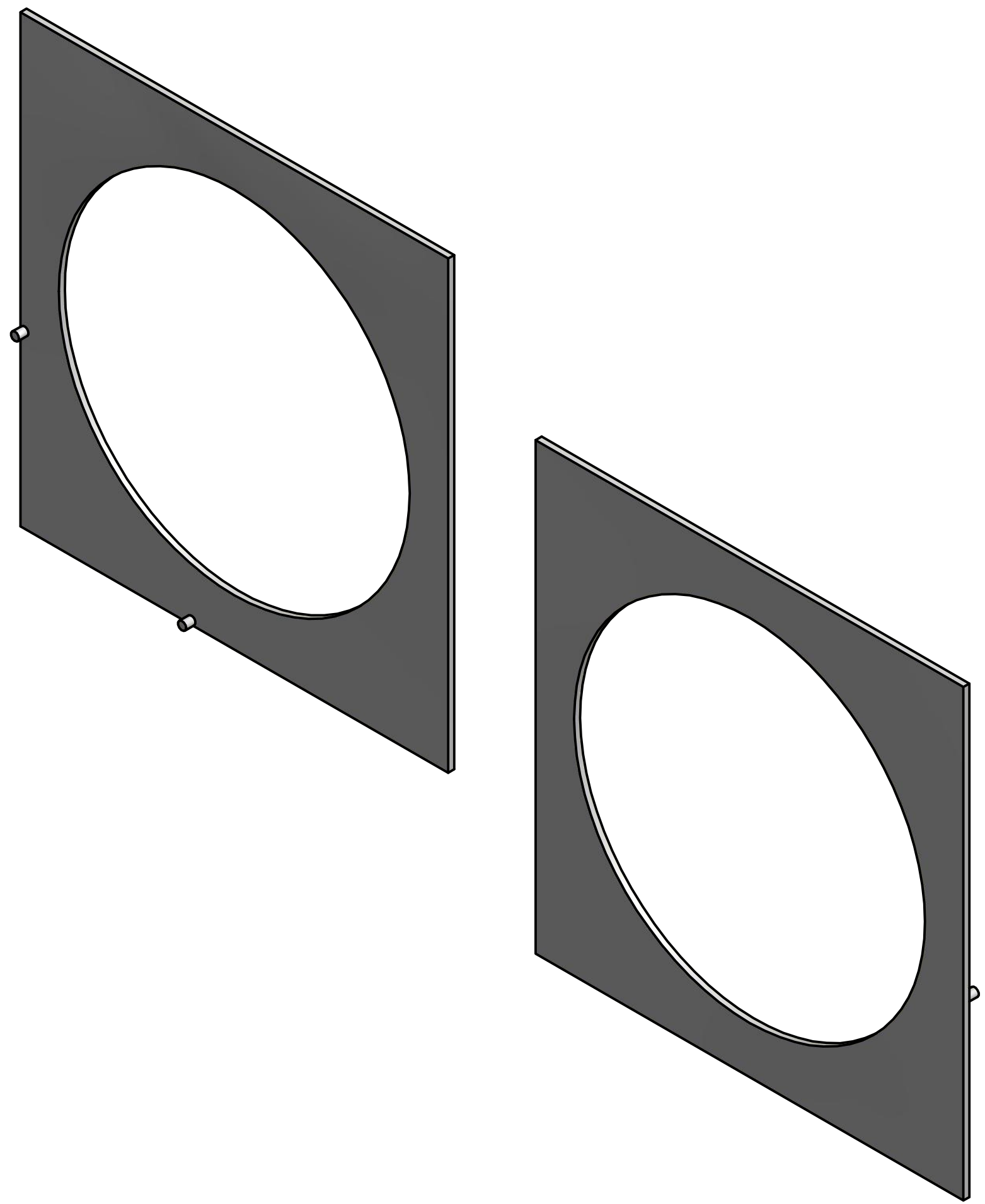
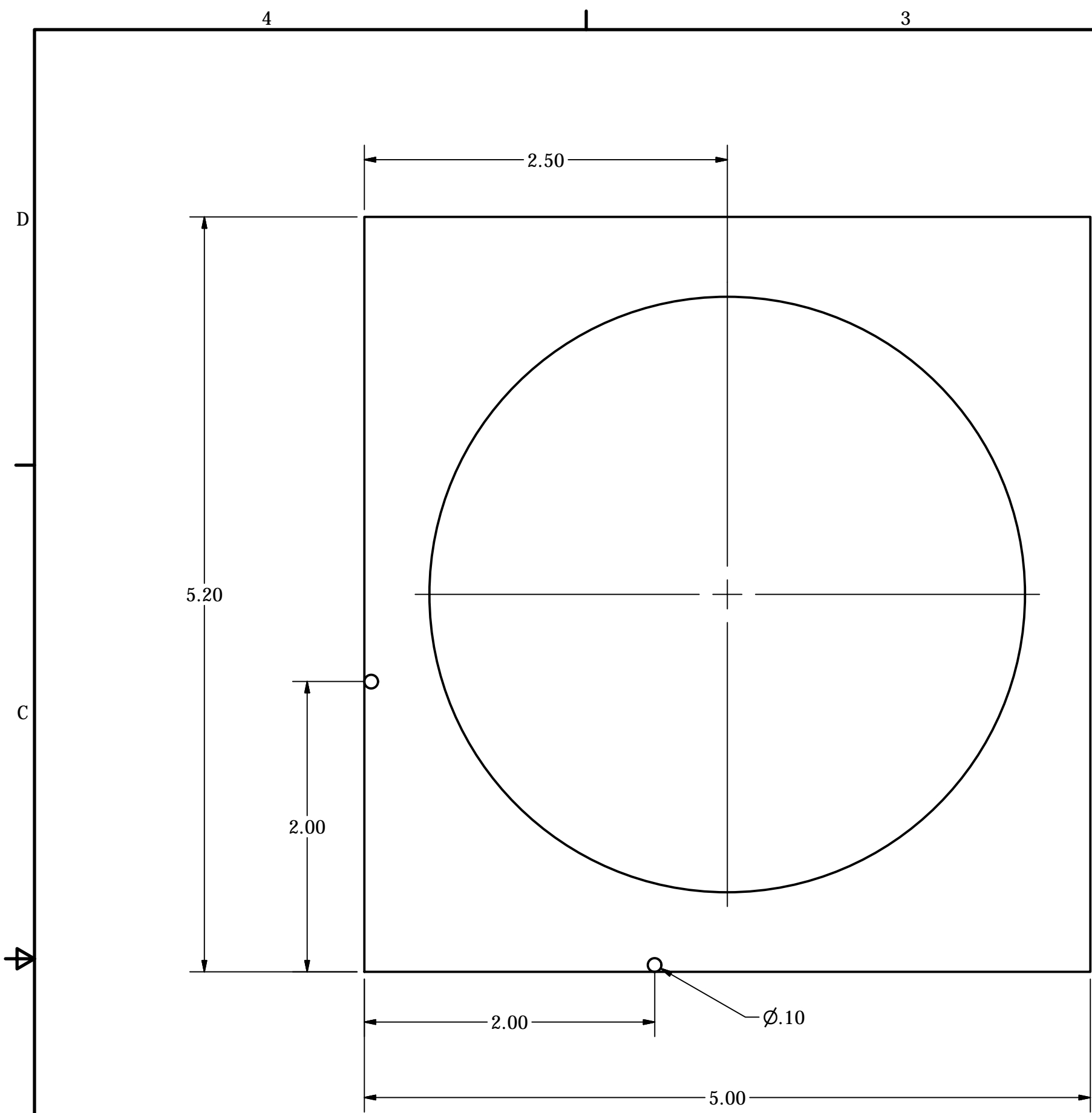
DRAWN JOSEPH VALENTI		7/21/2014		LAMBRO INDUSTRIES, INC.	
CHECKED				TITLE	
QA				544 CAP	
MFG				544	
APPROVED				SIZE	DWG NO
				C	544
				SCALE	SHEET 1 OF 1



DRAWN JOSEPH VALENTI	7/21/2014	LAMBRO INDUSTRIES, INC.		
CHECKED		TITLE		
QA		544 FLAP		
MFG		SIZE	DWG NO	REV
APPROVED		C	544	
		SCALE	SHEET 1 OF 1	



DRAWN	JOSEPH VALENTI	7/21/2014	LAMBRO INDUSTRIES, INC		
CHECKED			TITLE		
QA			544 TUBE		
MFG			SIZE	DWG NO	REV
APPROVED			C	544	
			SCALE	SHEET 1 OF 1	



DRAWN JOSEPH VALENTI		7/21/2014		LAMBRO INDUSTRIES, INC.	
CHECKED				TITLE	
QA				544 SPACER	
MFG					
APPROVED					
		SIZE	DWG NO	REV	
		C	544		
		SCALE	SHEET 1 OF 1		