



138-160
Alto™

Elongated Front, Vitreous China,
Two-Piece Toilet - 10" Rough-In

Features

- Contemporary design
- SmartFlush™ siphon jet flushing technology with exclusive flapperless Mansfield® flush tower provides outstanding flushing performance
- 1.6 gpf / 6.0 lpf low water consumption
- Glazed trapway
- Anti-siphon ballcock
- 10" rough-in
- Large 8-3/16" x 10-1/8" water surface
- Available in White and Standard Colors:
Biscuit, Classic Bone
- Model 40 chrome plated, plastic trip lever (Consult Price Book for additional finishes)
- Upgrade with a color-match SmartClose™ or Primo™ toilet seat
- Outstanding protection — The Mansfield® limited lifetime warranty



Elongated Front



Model 138-160
Shown with SB1200
Primo™ toilet seat

Model No.	Description	Approx. Wt.
138-160	Elongated front (1.6 gpf/6.0 lpf) two-piece toilet 10" rough-in. Includes tank trim and front-mount, chrome plated, plastic trip lever. Less toilet seat and supply. Specify color.	78 lbs. (35.1 kg)
138	Elongated front toilet bowl only. 10" rough-in. Less toilet seat. Specify color.	47 lbs. (21.1 kg)
160	Tank and cover only, with left hand, front-mount, chrome plated, plastic trip lever. Less supply. Specify color.	31 lbs. (13.9 kg)
125	Same as model 160, with 14" rough-in.	33 lbs. (15 kg)
160RH	Same as model 160, with right hand trip lever.	31 lbs. (13.9 kg)
161	Same as model 160, with Fluidmaster™ 400A ballcock.	31 lbs. (13.9 kg)
165	Same as model 160, with cover lock.	31 lbs. (13.9 kg)
170	Same as model 160, with tank liner.	31 lbs. (13.9 kg)
171	Same as model 160, with Fluidmaster™ 400A ballcock and tank liner.	31 lbs. (13.9 kg)
175	Same as model 160, with cover lock and tank liner.	31 lbs. (13.9 kg)
180	Same as model 160, with color-match trip lever.	31 lbs. (13.9 kg)
181	Same as model 160, with Fluidmaster™ 400A ballcock and color-match trip lever.	31 lbs. (13.9 kg)
190	Same as model 160, with color-match trip lever and tank liner.	31 lbs. (13.9 kg)
SB400	Elongated, SmartClose™ toilet seat. Specify color.	5.5 lbs. (2 kg)
SB1200	Elongated, Primo™ toilet seat. Specify color.	5.5 lbs. (2 kg)



138-160

Alto™

Elongated Front, Vitreous China, Two-Piece Toilet - 10" Rough-In

Features & Upgrades

Three-Point Cushioned Tank-to-Bowl Connection

This assures perfect tank alignment in every direction. It permits fast, accurate, leakproof tank-to-bowl connections. Protects against tank breakage... can't be rocked loose... saves installation time. Furnished with nuts and bolts.



88 Anti-Siphon Ballcock

The 88 anti-siphon ballcock affords efficient toilet tank operation at high or low water pressures. Adjustment screw allows water level adjustment without bending the float rod. Completely non-electrolytic and non-corrosive.



211 Flush Valve

The 211 flush valve provides 1.6 gpf / 6.0 lpf water conservation efficiency with non-corrosive, long-life dependability. It seals tight every time. Won't rust or corrode.



Add a Toilet Seat

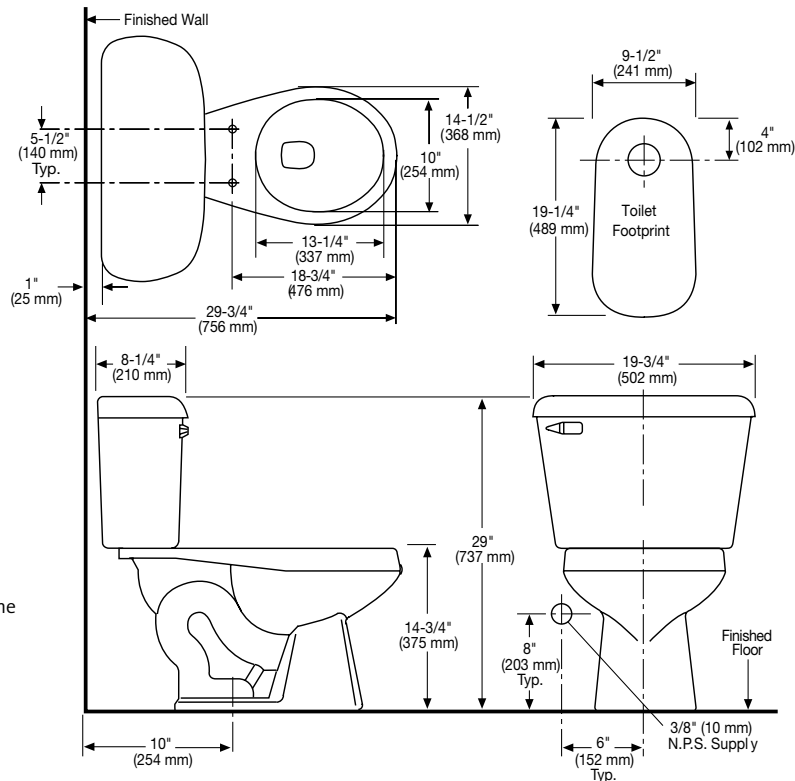
With a simple touch, Mansfield's newest SmartClose™ toilet seat closes gently and quietly. Or upgrade your toilet with a popular Primo™ toilet seat. Made of durable, high impact, heavy-duty plastic. For all applications — Get More, Get Mansfield®.



Technical Information

Specifications

Material	Vitreous China
Water Pressure Range	20 to 80 P.S.I.
Flush System	SmartFlush™ Flushing Technology
Water Usage	1.6 gpf / 6.0 lpf
Water Surface Area	8-3/16" x 10-1/8"
Trap Diameter	1-7/8"
Trap Seal	2-5/8"
Rough-in	10"
Shipping Dimensions	Model 138 27-1/4" x 14-7/8" x 15-1/2" (692 mm x 378 mm x 394 mm) Model 160 19-3/4" x 10" x 14-3/4" (502 mm x 254 mm x 375 mm)
Shipping Weight	Model 138 - 49.2 lbs (22 kg) Model 160 - 34.1 lbs (15 kg)
Warranty	Vitreous China - Limited Lifetime Tank Trim - Limited One Year



These dimensions are nominal and are subject to change without prior notice.

Fixture performance and specifications meet or exceed, ANSI/ASME A112.19.2 standards and CAN/CSA B45.0 standards, and other state and local codes.

NOTE: Install this product according to the installation guide.

Fixture dimensions are nominal and conform to tolerances in ASME Standard A112.19.2

See our complete line of acrylic and vitreous china bathroom fixtures, plastic tank trim and plumbing products.



Mansfield Plumbing Products LLC • Customer Service Toll Free 877-850-3060 • Fax 419-938-6234
Website: www.mansfieldplumbing.com • Email: custserv@mansfieldplumbing.com

Form No. M138160 Printed in U.S.A. 7/09
© 2009 Mansfield Plumbing Products LLC