

3700

CAST IRON FLANGED END BALL VALVE



AMERICANVALVE.COM



SPECIFICATIONS

- Certified to meet the requirements of NSF/ANSI 61 and NSF/ANSI 372
- PFA*- Fused solid ball
- Same end-to-end as any flanged gate or plug valve
- Tapped and plugged boss allows for venting downstream, or test port for backflow preventer
- 2" through 8" - Full port
- Class VI positive shutoff
- 100% Lead-free
- Low torque
- Ideal for liquid, air, and back-flow applications

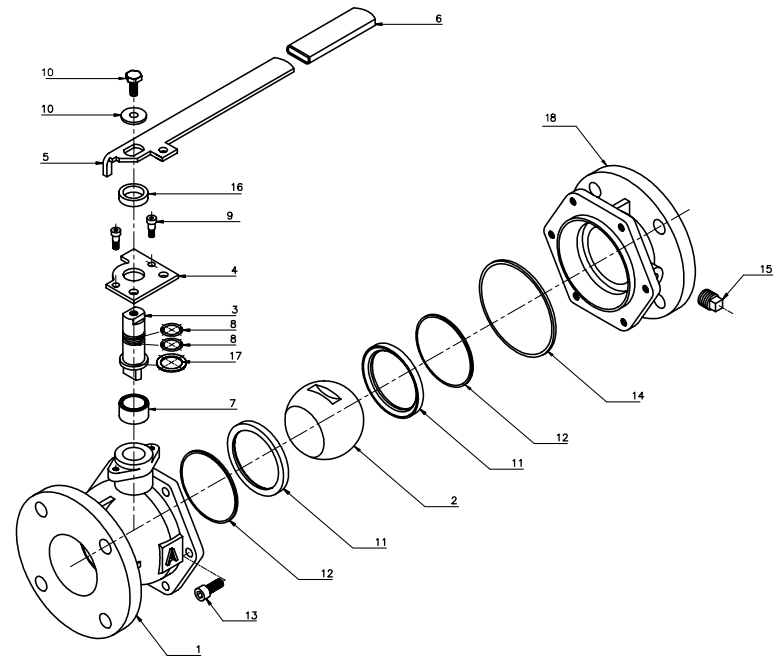
RATING

- 200 W @ 200° F

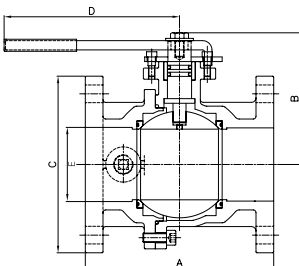


MATERIAL SPECIFICATIONS

	Part	Material
1	Body	Cast Iron/ASTM A126 Class B
2	Ball	Cast Iron/PFA* Fused ASTM A48 Class-35
3	Stem	Stainless Steel
4	Stop Plate	Steel
5	Handle	Steel
6	Handle Grip	Vinyl Dipped Plastisol
7	Sleeve	Stainless Steel
8	Stem O-Ring	Nitrile Rubber (Buna-N)
9	Shoulder Screw	Steel
10	Stem Bolt/Washer	Steel
11	Seat Ring	Virgin PTFE
12	Back Seat O-Ring	Nitrile Rubber (Buna-N)
13	Socket Head Screw	Steel
14	Body Gasket	Nitrile Rubber (Buna-N)
15	Body Plug	2" - 4": Steel 6" - 8": Cast Iron
16	Collar	Steel



*PFA is an ingredient commonly branded as Teflon®



DIMENSIONS

	2"	2½"	3"	4"	6"	8"
A Face to Face	7.00"	7.50"	8.00"	9.00"	10.50"	11.50"
B Center of Port to Top	5.50"	5.22"	5.59"	6.34"	8.31"	9.76"
C Flange Diameter	6.00"	7.00"	7.50"	9.00"	11.00"	13.5.00"
D Center of Valve to Handle End	12.00"	10.20"	10.90"	12.60"	16.70"	19.70"
E Port Diameter	2.00"	2.50"	3.00"	4.00"	6.00"	8.00"
Bolt Holes	4 holes	4 holes	4 holes	8 holes	8 holes	8 holes
Weight lbs.	25 lbs.	30 lbs.	38 lbs.	62 lbs.	118 lbs.	199 lbs.
Pallet Quantity	60 pieces	60 pieces	48 pieces	24 pieces	12 pieces	8 pieces

PROJECT:	SUBMITTED BY: