

Pipe Supports, Guides, Shields & Saddles

B3160 thru B3165 - Pipe Covering Protection Saddle (TOLCO Fig. 260 thru Fig. 265)

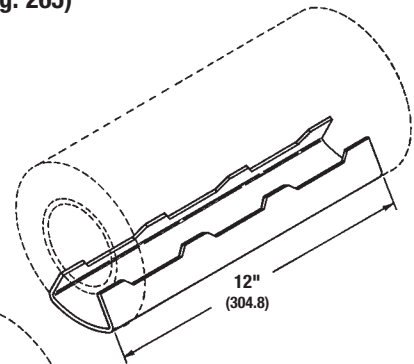
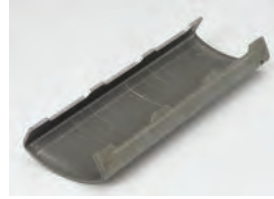
Material: Steel; Stainless Steel available

Standard Finish: Plain or Electro-Galvanized

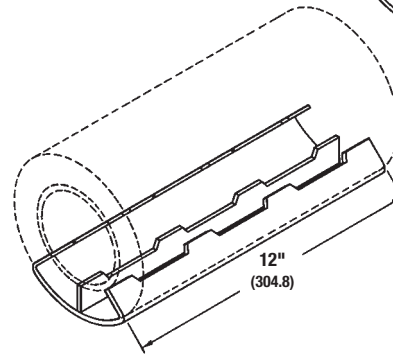
Service: Designed to protect pipe insulation on high temperature pipe lines. Saddles are 12" (304.8mm) long. Center rib is furnished on all saddle sizes 12" (300mm) and above.

Order By: Part number and finish. Select part number by insulation thickness and add nominal pipe size (Ex: B3161-1 1/4 PLN).

Approvals: Complies with Federal Specification WW-H-171E & A-A-1192A Type 40A and Type 40B and Manufacturers Standardization Society ANSI/MSS SP-69 & SP-58 Type 39A and Type 39B.



Sizes 3/4" (20mm) thru 10" (250mm)



Sizes 12" (300mm) and larger

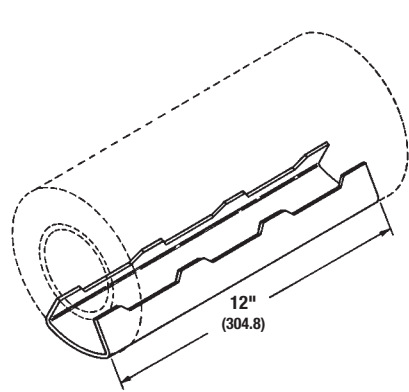


Insulation Thickness	Part Number
1" (25.4mm)	B3160
1 1/2" (38.1mm)	B3161
2" (50.8mm)	B3162
2 1/2" (63.5mm)	B3163
3" (76.2mm)	B3164
4" (101.6mm)	B3165

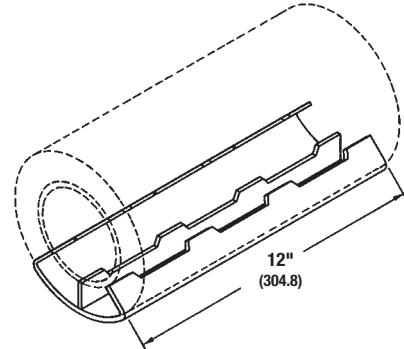
Part No.	Pipe Size in. (mm)		Size For Roller Part Number			Design Load		Approx. Wt./100	
			B3114 B3120 B3122 B3122A	B3117SL B3118SL B3119SL B3124 B3126	B3110	Lbs. (kN)	Lbs. (kg)		
B3160-3/4	3/4"	(20)	2	2-3 1/2	2 1/2	1200	(5.34)	122	(55.3)
B3161-3/4			3	2-3 1/2	3 1/2	1200	(5.34)	228	(103.4)
B3162-3/4			4	2-3 1/2	5	1200	(5.34)	297	(134.7)
B3160-1	1"	(25)	2 1/2	2-3 1/2	3	1200	(5.34)	156	(70.7)
B3161-1			3	2-3 1/2	4	1200	(5.34)	228	(103.4)
B3162-1			4	2-3 1/2	5	1200	(5.34)	297	(134.7)
B3160-1 1/4	1 1/4"	(32)	2 1/2	2-3 1/2	3	1200	(5.34)	156	(70.7)
B3161-1 1/4			3 1/2	2-3 1/2	5	1200	(5.34)	228	(103.4)
B3162-1 1/4			4	2-3 1/2	5	1200	(5.34)	297	(134.7)
B3163-1 1/4			5	4-6	6	1200	(5.34)	342	(155.1)
B3160-1 1/2	1 1/2"	(40)	3	2-3 1/2	3 1/2	1200	(5.34)	172	(78.0)
B3161-1 1/2			3 1/2	2-3 1/2	5	1200	(5.34)	239	(108.4)
B3162-1 1/2			5	4-6	6	1800	(8.00)	311	(141.0)
B3163-1 1/2			6	4-6	8	1800	(8.00)	417	(189.1)
B3160-2	2"	(50)	3 1/2	2-3 1/2	4	1200	(5.34)	172	(78.0)
B3161-2			4	2-3 1/2	5	1200	(5.34)	239	(108.4)
B3162-2			5	4-6	6	1800	(8.00)	311	(141.0)
B3163-2			6	4-6	8	1800	(8.00)	417	(189.1)
B3164-2			8	4-6	8	1800	(8.00)	441	(200.0)
B3165-2			10	8-10	10	1800	(8.00)	584	(264.9)
B3160-2 1/2	2 1/2"	(65)	3 1/2	2-3 1/2	5	1200	(5.34)	210	(95.2)
B3161-2 1/2			5	4-6	6	1200	(5.34)	268	(121.5)
B3162-2 1/2			6	4-6	8	1800	(8.00)	358	(162.4)
B3163-2 1/2			8	4-6	8	1800	(8.00)	417	(189.1)
B3164-2 1/2			8	4-6	10	1800	(8.00)	459	(208.2)
B3165-2 1/2			12	8-10	12	1800	(8.00)	630	(285.8)

Pipe Supports, Guides, Shields & Saddles

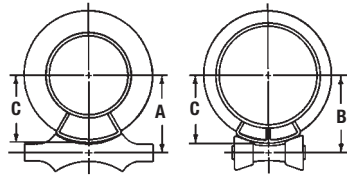
B3160 thru B3165 - Pipe Covering Protection Saddle (TOLCO Fig. 260 thru Fig. 265) (Continued)



Sizes 3/4" (20mm) thru 10" (250mm)



Sizes 12" (300mm) and larger



Insulation Thickness	Part Number
1" (25.4mm)	B3160
1 1/2" (38.1mm)	B3161
2" (50.8mm)	B3162
2 1/2" (63.5mm)	B3163
3" (76.2mm)	B3164
4" (101.6mm)	B3165

Part No.	Pipe Size In. (mm)		Centerline of Pipe to Centerline of Roll					Centerline of Pipe to Outside of Saddle C In. (mm)	Thickness of Covering (Per ASTM C 585)			
			A B3114, B3120, B3122, B3122A In. (mm)		B B3117SL, B3118SL, B3119SL, B3124, B3126 In. (mm)		A B3110 In. (mm)		In.	(mm)		
B3160-3/4	3/4"	(20)	2"	(50.8)	2 1/4"	(63.5)	2"	(50.8)	1 9/16"	(39.7)	7/8"	(22.2)
B3161-3/4			2 7/16"	(61.9)	2 7/8"	(73.0)	2 3/8"	(69.8)	2 3/16"	(55.6)	1 1/2"	(38.1)
B3162-3/4			3 5/16"	(84.1)	3 7/16"	(87.3)	3 3/8"	(85.7)	2 3/4"	(69.8)	1 15/16"	(49.2)
B3160-1	1"	(25)	2 5/16"	(58.7)	2 1/2"	(63.5)	2 5/16"	(58.7)	1 13/16"	(46.0)	1 1/16"	(27.0)
B3161-1			2 7/8"	(73.0)	3"	(76.2)	2 7/8"	(73.0)	2 5/16"	(58.7)	1 9/16"	(39.7)
B3162-1			3 7/16"	(87.3)	3 5/8"	(92.1)	3 1/2"	(88.9)	2 7/8"	(73.0)	2 1/8"	(54.0)
B3160-1 1/4	1 1/4"	(32)	2 9/16"	(65.1)	2 1 1/16"	(68.3)	2 1/2"	(63.5)	2"	(50.8)	1 5/16"	(23.8)
B3161-1 1/4			3 1/8"	(79.4)	3 1/4"	(82.5)	3 1/8"	(79.4)	2 9/16"	(65.1)	1 7/16"	(36.5)
B3162-1 1/4			3 1 1/16"	(93.7)	3 1 3/16"	(96.8)	3 7/16"	(87.3)	3 1/16"	(77.8)	2 1/8"	(54.0)
B3163-1 1/4			4 1/16"	(103.2)	4 1/8"	(104.8)	4 1/16"	(103.2)	3 7/16"	(87.3)	2 7/16"	(61.9)
B3160-1 1/2	1 1/2"	(40)	2 1 1/16"	(68.3)	2 7/8"	(73.0)	2 7/16"	(61.9)	2 1/8"	(54.0)	1 1/32"	(26.2)
B3161-1 1/2			3 3/16"	(81.0)	3 5/16"	(84.1)	3 3/16"	(81.0)	2 9/16"	(65.1)	1 17/32"	(38.9)
B3162-1 1/2			3 9/16"	(90.5)	3 1 3/16"	(96.8)	3 1 3/16"	(96.8)	3 1/8"	(79.4)	2"	(50.8)
B3163-1 1/2			4 7/16"	(112.7)	4 3/8"	(111.1)	4 1/2"	(114.3)	3 5/8"	(92.1)	2 27/32"	(72.2)
B3160-2	2"	(50)	2 15/16"	(74.6)	3 1/8"	(79.4)	2 15/16"	(74.6)	2 3/8"	(60.3)	1 1/16"	(27.0)
B3161-2			3 7/16"	(87.3)	3 5/8"	(92.1)	3 1/2"	(88.9)	2 7/8"	(73.0)	1 19/32"	(40.5)
B3162-2			4 1/8"	(104.8)	4 1/8"	(104.8)	4 1/16"	(103.2)	3 7/16"	(87.3)	2 1/8"	(54.0)
B3163-2			4 1 1/16"	(119.1)	4 1 1/16"	(119.1)	4 3/4"	(120.6)	3 15/16"	(100.0)	2 5/8"	(66.7)
B3164-2			5 1/4"	(133.3)	5 3/16"	(131.8)	5 1/4"	(133.3)	4 1/2"	(114.3)	3 1/8"	(79.4)
B3165-2			6 3/8"	(161.9)	6 1/2"	(165.1)	6 3/8"	(161.9)	5 1/2"	(139.7)	4 3/16"	(106.4)
B3160-2 1/2	2 1/2"	(65)	3 1/4"	(82.5)	3 3/8"	(85.7)	3 1/4"	(82.5)	2 5/8"	(66.7)	1 1/16"	(27.0)
B3161-2 1/2			3 7/8"	(98.4)	3 15/16"	(100.0)	3 7/8"	(98.4)	3 1/4"	(82.5)	1 7/8"	(47.6)
B3162-2 1/2			4 9/16"	(115.9)	4 9/16"	(115.9)	4 5/8"	(117.5)	3 7/8"	(98.4)	2 5/16"	(58.7)
B3163-2 1/2			5 1/8"	(130.2)	5"	(127.0)	5 1/8"	(130.2)	4 1/4"	(107.9)	2 7/8"	(73.0)
B3164-2 1/2			5 7/16"	(138.1)	5 5/16"	(134.9)	5 1/2"	(139.7)	4 9/16"	(115.9)	3 1/16"	(77.8)
B3165-2 1/2			6 15/16"	(176.2)	7"	(177.8)	6 15/16"	(176.2)	5 15/16"	(150.8)	4 7/16"	(112.7)

All dimensions in charts and on drawings are in inches. Dimensions shown in parentheses are in millimeters unless otherwise specified.

Pipe Supports, Guides, Shields & Saddles

B3160 thru B3165 - Pipe Covering Protection Saddle (TOLCO Fig. 260 thru Fig. 265) (Continued)

Supports, Guides,
Shields & Saddles

Insulation Thickness	Part Number
1" (25.4mm)	B3160
1½" (38.1mm)	B3161
2" (50.8mm)	B3162

Insulation Thickness	Part Number
2½" (63.5mm)	B3163
3" (76.2mm)	B3164
4" (101.6mm)	B3165

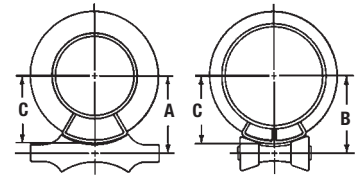
Part No.	Pipe Size In. (mm)		Size For Roller Part Number			Design Load		Approx. Wt./100	
			B3114 B3120 B3122 B3122A	B3117SL B3118SL B3119SL B3124 B3126	B3110	Lbs.	(kN)	Lbs.	(kg)
B3160-3	3"	(80)	4	2-3½	5	1800	(8.00)	210	(95.2)
B3161-3			5	4-6	6	1800	(8.00)	268	(166.9)
B3162-3			6	4-6	8	1800	(8.00)	358	(162.4)
B3163-3			8	4-6	8	1800	(8.00)	417	(189.1)
B3164-3			8	8-10	10	1800	(8.00)	459	(208.2)
B3165-3			12	8-10	12	1800	(8.00)	600	(272.2)
B3160-3½	3½"	(90)	5	4-6	6	1200	(5.34)	226	(102.5)
B3161-3½			6	4-6	8	1800	(8.00)	289	(131.1)
B3162-3½			8	4-6	8	1800	(8.00)	364	(165.1)
B3163-3½			8	8-10	10	1800	(8.00)	422	(191.4)
B3164-3½			10	8-10	10	1800	(8.00)	488	(221.3)
B3160-4	4"	(100)	5	4-6	6	1800	(8.00)	226	(102.5)
B3161-4			6	4-6	8	1800	(8.00)	289	(131.1)
B3162-4			8	8-10	8	1800	(8.00)	364	(165.1)
B3163-4			8	8-10	10	1800	(8.00)	422	(191.4)
B3164-4			10	8-10	10	1800	(8.00)	488	(221.3)
B3165-4			10	8-10	12	1800	(8.00)	616	(279.4)
B3160-5	5"	(125)	6	4-6	8	1800	(8.00)	250	(113.4)
B3161-5			8	4-6	8	1800	(8.00)	289	(131.1)
B3162-5			8	8-10	10	1800	(8.00)	364	(165.1)
B3163-5			10	8-10	10	1800	(8.00)	422	(191.4)
B3164-5			10	8-10	12	1800	(8.00)	488	(221.3)
B3165-5			12	8-10	14	1800	(8.00)	643	(291.6)
B3160-6	6"	(150)	8	8-10	8	1800	(8.00)	387	(175.5)
B3161-6			8	8-10	10	1800	(8.00)	498	(225.9)
B3162-6			10	8-10	10	1800	(8.00)	594	(269.4)
B3163-6			10	8-10	12	1800	(8.00)	694	(314.8)
B3164-6			12	8-10	12	1800	(8.00)	794	(360.1)
B3165-6			14	12-14	16	1800	(8.00)	1009	(457.7)
B3160-8	8"	(200)	10	8-10	12	1800	(8.00)	478	(216.8)
B3161-8			10	8-10	12	1800	(8.00)	554	(251.3)
B3162-8			10	8-10	12	1800	(8.00)	674	(305.7)
B3163-8			12	8-10	14	1800	(8.00)	782	(354.7)
B3164-8			14	12-14	16	1800	(8.00)	893	(405.0)
B3165-8			16	12-14	18	1800	(8.00)	1089	(494.0)
B3160-10	10"	(250)	12	12-14	14	1800	(8.00)	546	(247.6)
B3161-10			12	12-14	14	1800	(8.00)	642	(291.2)
B3162-10			14	16-20	16	1800	(8.00)	750	(340.2)
B3163-10			14	16-20	16	1800	(8.00)	850	(385.5)
B3164-10			16	16-20	18	1800	(8.00)	957	(434.1)
B3165-10			18	16-20	20	1800	(8.00)	1137	(515.7)

Pipe Supports, Guides, Shields & Saddles

B3160 thru B3165 - Pipe Covering Protection Saddle (Continued)

Insulation Thickness	Part Number
1" (25.4mm)	B3160
1½" (38.1mm)	B3161
2" (50.8mm)	B3162

Insulation Thickness	Part Number
2½" (63.5mm)	B3163
3" (76.2mm)	B3164
4" (101.6mm)	B3165



Supports, Guides, Shields & Saddles

Part No.	Pipe Size In. (mm)	Centerline of Pipe to Centerline of Roll				Centerline of Pipe to Outside		Thickness of Covering (Per ASTM C 585)	
		A B3114, B3120, B3122, B3122A In. (mm)	B B3117ST, B3118SL, B3119SL, B3124, B3126 In. (mm)	A of Saddle B3110 In. (mm)	C In. (mm)	In. (mm)	In. (mm)		
B3160-3	3" (80)	3¾" (85.7)	3½" (88.9)	3⅝" (91.1)	3" (76.2)	1⅜" (26.2)			
B3161-3		4¼" (107.9)	4⅝" (109.5)	4¼" (107.9)	3⅞" (90.5)	1⅞" (39.7)			
B3162-3		4⅝" (125.4)	4⅝" (125.4)	4⅝" (125.4)	4⅜" (106.4)	2⅜" (52.4)			
B3163-3		5⅞" (138.1)	5⅜" (136.5)	5⅞" (138.1)	4⅝" (117.5)	2⅞" (65.1)			
B3164-3		5⅜" (147.6)	6" (152.4)	5⅞" (149.2)	4⅝" (125.4)	3⅜" (77.8)			
B3165-3		7" (177.8)	7⅜" (179.4)	7" (177.8)	6" (152.4)	4⅞" (104.8)			
B3160-3½	3½" (90)	3⅜" (96.8)	3⅞" (98.4)	3⅜" (96.8)	3⅜" (81.0)	1⅜" (26.2)			
B3161-3½		4⅜" (111.1)	4⅜" (111.1)	4⅜" (111.1)	3⅞" (93.7)	1⅞" (39.7)			
B3162-3½		5" (127.0)	5" (127.0)	5" (127.0)	4¼" (107.9)	2⅜" (52.4)			
B3163-3½		5½" (139.7)	5⅜" (144.5)	5⅞" (141.3)	4⅝" (117.5)	2⅝" (70.6)			
B3164-3½		6⅜" (157.2)	6⅝" (160.3)	6⅜" (157.2)	5¼" (133.3)	3⅜" (77.8)			
B3160-4		4" (100)	4⅞" (104.8)	4⅞" (104.8)	4⅞" (104.8)	3⅞" (87.3)	1⅞" (27.0)		
B3161-4	4⅞" (119.1)		4⅞" (112.7)	4⅞" (120.6)	4" (101.6)	1⅞" (39.7)			
B3162-4	5⅞" (134.9)		5¼" (133.3)	5⅞" (134.9)	4½" (114.3)	2⅜" (52.4)			
B3163-4	5⅜" (147.6)		6" (152.4)	5⅞" (149.2)	4⅝" (125.4)	2⅞" (65.1)			
B3164-4	6⅞" (163.5)		6⅞" (166.7)	6⅞" (163.5)	5½" (139.7)	3⅞" (79.4)			
B3165-4	7⅞" (192.1)		7⅝" (193.7)	7⅞" (192.1)	6½" (165.1)	4⅞" (104.8)			
B3160-5	5" (125)	4⅞" (119.1)	4⅞" (119.1)	4⅞" (120.6)	3⅝" (100.0)	1⅜" (26.2)			
B3161-5		5⅞" (134.9)	5¼" (133.3)	5⅞" (134.9)	4⅞" (115.9)	1⅞" (38.9)			
B3162-5		5⅞" (149.2)	6⅞" (155.6)	6" (152.4)	5⅞" (130.2)	2⅜" (51.6)			
B3163-5		6⅞" (163.5)	6⅞" (166.7)	6⅞" (163.5)	5⅞" (141.3)	2⅞" (65.1)			
B3164-5		7" (177.8)	7⅜" (182.6)	7⅞" (181.0)	6⅞" (155.6)	3⅜" (78.6)			
B3165-5		8⅜" (208.0)	8⅜" (208.0)	8⅜" (212.7)	7⅞" (179.4)	4⅝" (105.5)			
B3160-6	6" (150)	5¼" (133.3)	5¼" (133.3)	5¼" (133.3)	4½" (114.3)	1" (25.4)			
B3161-6		5⅞" (149.2)	6⅞" (154.0)	5⅞" (150.8)	5" (127.0)	1½" (38.1)			
B3162-6		6½" (165.1)	6⅝" (168.3)	6½" (165.1)	5⅞" (141.3)	2⅜" (52.4)			
B3163-6		7⅞" (179.4)	7⅞" (181.0)	7⅞" (181.0)	6⅞" (154.0)	2⅞" (65.1)			
B3164-6		7⅞" (193.7)	7⅞" (195.3)	7⅞" (193.7)	6⅞" (166.7)	3⅜" (77.8)			
B3165-6		9⅞" (230.2)	8⅝" (227.0)	9" (228.6)	7¾" (196.8)	4⅜" (106.4)			
B3160-8	8" (200)	6½" (165.1)	6⅝" (168.3)	6⅞" (166.7)	5⅞" (141.3)	1⅜" (26.2)			
B3161-8		7⅞" (179.4)	7⅞" (181.0)	7⅞" (179.4)	6⅞" (154.0)	1⅞" (39.7)			
B3162-8		7⅞" (192.1)	7⅝" (193.7)	7⅝" (193.7)	6⅞" (166.7)	2⅜" (52.4)			
B3163-8		8⅝" (211.1)	8⅝" (211.1)	8½" (215.9)	7⅞" (182.6)	2⅞" (68.3)			
B3164-8		9⅞" (230.2)	8⅝" (227.0)	9" (228.6)	7¾" (196.8)	3⅜" (81.0)			
B3165-8		10" (254.0)	9⅝" (252.4)	10⅞" (255.6)	8⅞" (220.7)	4⅜" (106.4)			
B3160-10	10" (250)	7⅞" (195.3)	7⅞" (196.8)	7⅞" (200.0)	6⅝" (168.3)	3⅜" (24.6)			
B3161-10		8⅝" (211.1)	8⅝" (211.1)	8⅞" (214.3)	7⅞" (182.6)	1⅞" (41.3)			
B3162-10		9" (228.6)	8⅞" (225.4)	8⅞" (225.4)	7⅞" (195.3)	2⅞" (54.0)			
B3163-10		9⅝" (244.5)	9⅞" (239.7)	9½" (241.3)	8⅞" (208.0)	2⅝" (66.7)			
B3164-10		10⅞" (257.2)	10⅞" (258.8)	10⅞" (258.8)	8¾" (222.2)	3⅞" (79.4)			
B3165-10		11¼" (285.7)	11⅜" (284.2)	11¼" (285.7)	9¾" (247.6)	4⅞" (104.8)			

All dimensions in charts and on drawings are in inches. Dimensions shown in parentheses are in millimeters unless otherwise specified.

Pipe Supports, Guides, Shields & Saddles

B3160 thru B3165 - Pipe Covering Protection Saddle (TOLCO Fig. 260 thru Fig. 265) (Continued)

Supports, Guides, Shields & Saddles

Insulation Thickness	Part Number
1" (25.4mm)	B3160
1½" (38.1mm)	B3161
2" (50.8mm)	B3162

Insulation Thickness	Part Number
2½" (63.5mm)	B3163
3" (76.2mm)	B3164
4" (101.6mm)	B3165

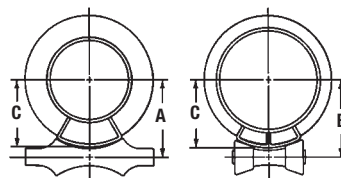
Part No.	Pipe Size In. (mm)		Size For Roller Part Number			Design Load Lbs. (kN)		Approx. Wt./100 Lbs. (kg)	
			B3114 B3114 B3120, B3122 B3122A	B3117SL B3118SL B3119SL B3124, B3126	B3110				
B3160-12	12"	(300)	14	12-14	16	5000	(22.24)	688	(312.1)
B3161-12			14	12-14	16	5000	(22.24)	836	(379.2)
B3162-12			16	16-20	18	5000	(22.24)	963	(436.8)
B3163-12			16	16-20	18	5000	(22.24)	1091	(494.9)
B3164-12			18	16-20	20	5000	(22.24)	1218	(552.5)
B3165-12			20	16-20	24	5000	(22.24)	1462	(663.1)
B3161-14	14"	(350)	16	16-20	18	5000	(22.24)	828	(375.6)
B3162-14			16	16-20	18	5000	(22.24)	963	(436.8)
B3163-14			18	16-20	20	5000	(22.24)	1099	(498.5)
B3164-14			18	16-20	20	5000	(22.24)	1230	(557.9)
B3165-14			20	24	24	5000	(22.24)	1486	(674.0)
B3161-16	16"	(400)	18	16-20	20	5000	(22.24)	907	(411.4)
B3162-16			18	16-20	20	5000	(22.24)	1039	(471.3)
B3163-16			20	16-20	24	7200	(32.02)	1163	(527.5)
B3164-16			20	24	24	7200	(32.02)	1298	(588.8)
B3165-16			24	24	24	7200	(32.02)	1554	(704.9)
B3161-18	18"	(450)	20	16-20	24	5000	(22.24)	979	(444.1)
B3162-18			20	24	24	7200	(32.02)	1107	(502.1)
B3163-18			24	24	24	7200	(32.02)	1230	(557.9)
B3164-18			24	24	24	7200	(32.02)	1362	(617.8)
B3165-18			24	24	-	7200	(32.02)	1617	(733.5)
B3161-20	20"	(500)	24	24	24	7200	(32.02)	1043	(473.1)
B3162-20			24	24	24	7200	(32.02)	1171	(531.1)
B3163-20			24	24	-	7200	(32.02)	1294	(586.9)
B3164-20			24	24	-	7200	(32.02)	1430	(648.6)
B3165-20			30	30	-	7200	(32.02)	1689	(766.1)
B3161-24	24"	(600)	30	30	-	7200	(32.02)	1179	(534.8)
B3162-24			30	30	-	7200	(32.02)	1306	(592.4)
B3163-24			30	30	-	7200	(32.02)	1442	(654.1)
B3164-24			30	30	-	7200	(32.02)	1562	(708.5)
B3165-24			30	30	-	7200	(32.02)	1821	(826.0)
B3161-30	30"	(750)	-	36-42	-	7200	(32.02)	1370	(621.4)
B3162-30			-	36-42	-	7200	(32.02)	1502	(681.3)
B3163-30			-	36-42	-	7200	(32.02)	1640	(743.9)
B3164-30			-	36-42	-	7200	(32.02)	1761	(798.8)
B3165-30			-	36-42	-	7200	(32.02)	2008	(910.8)
B3161-36	36"	(900)	-	36-42	-	7200	(32.02)	1574	(713.9)
B3162-36			-	36-42	-	7200	(32.02)	1701	(771.6)
B3163-36			-	36-42	-	7200	(32.02)	1857	(842.3)
B3164-36			-	36-42	-	7200	(32.02)	1961	(889.5)
B3165-36			-	36-42	-	7200	(32.02)	2216	(1005.2)

Pipe Supports, Guides, Shields & Saddles

B3160 thru B3165 - Pipe Covering Protection Saddle (Continued)

Insulation Thickness	Part Number
1" (25.4mm)	B3160
1½" (38.1mm)	B3161
2" (50.8mm)	B3162

Insulation Thickness	Part Number
2½" (63.5mm)	B3163
3" (76.2mm)	B3164
4" (101.6mm)	B3165



Supports, Guides, Shields & Saddles

Part No.	Nominal Pipe Size In. (mm)		Centerline of Pipe to Centerline of Roll				Centerline of Pipe to Outside of Saddle C (mm)		Thickness of Covering (Per ASTM C 585) In. (mm)	
			A B3114, B3120 B3122, B3122A In. (mm)		B B3117SL, B3118SL B3119SL B3124, B3126 In. (mm)					
B3160-12	12"	(300)	8 ¹⁵ / ₁₆ " (227.0)	8 ¹³ / ₁₆ " (223.8)	8 ⁷ / ₈ " (225.4)	7 ⁵ / ₈ " (193.7)	1 ¹ / ₁₆ " (27.0)			
B3161-12			9 ⁹ / ₁₆ " (242.9)	9 ⁷ / ₁₆ " (239.7)	9 ¹ / ₂ " (241.3)	8 ³ / ₁₆ " (208.0)	1 ⁵ / ₈ " (41.3)			
B3162-12			10 ¹ / ₁₆ " (255.6)	10 ¹ / ₈ " (257.2)	10 ¹ / ₈ " (257.2)	8 ³ / ₄ " (222.2)	2 ¹ / ₈ " (54.0)			
B3163-12			10 ⁵ / ₈ " (269.9)	10 ⁵ / ₈ " (269.9)	10 ⁵ / ₈ " (269.9)	9 ¹ / ₄ " (234.9)	2 ⁵ / ₈ " (66.7)			
B3164-12			11 ³ / ₁₆ " (284.2)	11 ³ / ₁₆ " (284.2)	11 ¹ / ₄ " (285.7)	9 ¹ / ₁₆ " (246.1)	3 ¹ / ₈ " (79.4)			
B3165-12			12 ⁵ / ₁₆ " (312.7)	12 ³ / ₁₆ " (309.6)	12 ⁵ / ₁₆ " (312.7)	10 ³ / ₄ " (273.0)	4 ¹ / ₈ " (104.8)			
B3161-14	14"	(350)	10 ¹ / ₁₆ " (255.6)	9 ¹⁵ / ₁₆ " (252.4)	10 ¹ / ₁₆ " (255.6)	8 ¹ / ₁₆ " (220.7)	1 ¹ / ₂ " (38.1)			
B3162-14			10 ⁵ / ₈ " (269.9)	10 ⁵ / ₈ " (269.9)	10 ⁵ / ₈ " (269.9)	9 ³ / ₁₆ " (233.4)	2" (50.8)			
B3163-14			11 ³ / ₁₆ " (284.2)	11 ³ / ₁₆ " (284.2)	11 ¹ / ₄ " (285.7)	9 ³ / ₄ " (247.6)	2 ¹ / ₂ " (63.5)			
B3164-14			11 ³ / ₄ " (298.4)	11 ¹¹ / ₁₆ " (296.9)	11 ³ / ₄ " (298.4)	10 ¹ / ₄ " (260.3)	3" (76.2)			
B3165-14			12 ⁷ / ₈ " (327.0)	12 ⁷ / ₁₆ " (315.9)	12 ⁷ / ₈ " (327.0)	11 ³ / ₁₆ " (284.2)	4" (101.6)			
B3161-16	16"	(400)	11 ¹ / ₈ " (282.6)	11 ¹ / ₈ " (282.6)	11 ³ / ₁₆ " (284.2)	9 ¹ / ₁₆ " (246.1)	1 ¹ / ₂ " (38.1)			
B3162-16			11 ¹³ / ₁₆ " (300.0)	11 ¹¹ / ₁₆ " (296.9)	11 ³ / ₄ " (298.4)	10 ¹ / ₄ " (260.3)	2" (50.8)			
B3163-16			12 ⁵ / ₁₆ " (312.7)	12 ¹ / ₈ " (308.0)	12 ⁵ / ₁₆ " (312.7)	10 ¹¹ / ₁₆ " (271.5)	2 ¹ / ₂ " (63.5)			
B3164-16			12 ⁷ / ₈ " (327.0)	12 ⁹ / ₁₆ " (319.1)	12 ⁷ / ₈ " (327.0)	11 ¹ / ₄ " (285.7)	3" (76.2)			
B3165-16			13 ¹⁵ / ₁₆ " (354.0)	13 ⁹ / ₁₆ " (344.5)	13 ¹⁵ / ₁₆ " (354.0)	12 ¹ / ₄ " (311.1)	4" (101.6)			
B3161-18	18"	(450)	12 ¹ / ₄ " (311.1)	12 ¹ / ₈ " (308.0)	12 ¹ / ₄ " (311.1)	10 ¹¹ / ₁₆ " (271.5)	1 ¹ / ₂ " (38.1)			
B3162-18			12 ⁷ / ₈ " (327.0)	12 ¹ / ₂ " (317.5)	12 ⁷ / ₈ " (327.0)	11 ¹ / ₄ " (285.7)	2" (50.8)			
B3163-18			13 ³ / ₈ " (339.7)	13" (330.2)	13 ³ / ₈ " (339.7)	11 ¹¹ / ₁₆ " (296.9)	2 ¹ / ₂ " (63.5)			
B3164-18			13 ¹⁵ / ₁₆ " (354.0)	13 ⁹ / ₁₆ " (344.5)	13 ¹⁵ / ₁₆ " (354.0)	12 ¹ / ₄ " (311.1)	3" (76.2)			
B3165-18			15" (381.0)	14 ⁹ / ₁₆ " (369.9)	--	13 ¹ / ₄ " (336.5)	4" (101.6)			
B3161-20	20"	(500)	13 ³ / ₈ " (339.7)	13" (330.2)	13 ³ / ₈ " (339.7)	11 ¹¹ / ₁₆ " (296.9)	1 ¹ / ₂ " (38.1)			
B3162-20			13 ¹⁵ / ₁₆ " (354.0)	13 ¹ / ₂ " (342.9)	13 ¹⁵ / ₁₆ " (354.0)	12 ³ / ₁₆ " (309.6)	2" (50.8)			
B3163-20			14 ⁷ / ₁₆ " (366.7)	14" (355.6)	--	12 ¹¹ / ₁₆ " (322.3)	2 ¹ / ₂ " (63.5)			
B3164-20			14 ¹⁵ / ₁₆ " (379.4)	14 ⁹ / ₁₆ " (369.9)	--	13 ³ / ₁₆ " (350.8)	3" (76.2)			
B3165-20			16 ¹ / ₄ " (412.7)	15 ⁷ / ₈ " (403.2)	--	14 ¹ / ₄ " (361.9)	4" (101.6)			
B3161-24	24"	(600)	15 ¹ / ₁₆ " (398.5)	15 ⁵ / ₁₆ " (388.9)	--	13 ¹ / ₁₆ " (347.7)	1 ¹ / ₂ " (38.1)			
B3162-24			16 ¹ / ₄ " (412.8)	15 ⁷ / ₈ " (403.2)	--	14 ³ / ₁₆ " (360.4)	2" (50.8)			
B3163-24			16 ³ / ₄ " (425.4)	16 ⁵ / ₁₆ " (414.3)	--	14 ⁵ / ₈ " (377.8)	2 ¹ / ₂ " (63.5)			
B3164-24			17 ³ / ₈ " (441.3)	16 ⁷ / ₈ " (428.6)	--	15 ¹ / ₄ " (387.3)	3" (76.2)			
B3165-24			18 ⁷ / ₁₆ " (468.3)	17 ¹⁵ / ₁₆ " (455.6)	--	16 ¹ / ₄ " (412.7)	4" (101.6)			
B3161-30	30"	(750)	--	18 ⁷ / ₈ " (479.4)	--	16 ¹¹ / ₁₆ " (423.9)	1 ¹ / ₂ " (38.1)			
B3162-30			--	19 ³ / ₈ " (492.1)	--	17 ³ / ₁₆ " (436.6)	2" (50.8)			
B3163-30			--	19 ¹⁵ / ₁₆ " (506.4)	--	17 ¹¹ / ₁₆ " (449.3)	2 ¹ / ₂ " (63.5)			
B3164-30			--	20 ¹ / ₂ " (520.7)	--	18 ³ / ₁₆ " (462.0)	3" (76.2)			
B3165-30			--	21 ¹ / ₂ " (546.1)	--	19 ³ / ₁₆ " (487.4)	4" (101.6)			
B3161-36	36"	(900)	--	22 ¹ / ₈ " (562.0)	--	19 ¹¹ / ₁₆ " (500.1)	1 ¹ / ₂ " (38.1)			
B3162-36			--	22 ⁵ / ₈ " (574.7)	--	20 ³ / ₁₆ " (512.8)	2" (50.8)			
B3163-36			--	23 ³ / ₁₆ " (589.0)	--	20 ¹¹ / ₁₆ " (525.5)	2 ¹ / ₂ " (63.5)			
B3164-36			--	23 ¹¹ / ₁₆ " (601.7)	--	21 ³ / ₁₆ " (538.2)	3" (76.2)			
B3165-36			--	24 ¹¹ / ₁₆ " (627.1)	--	22 ³ / ₁₆ " (563.6)	4" (101.6)			

All dimensions in charts and on drawings are in inches. Dimensions shown in parentheses are in millimeters unless otherwise specified.