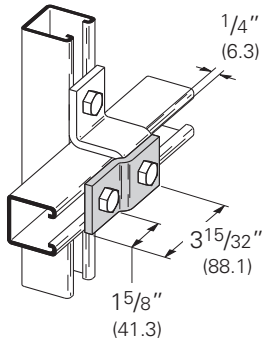


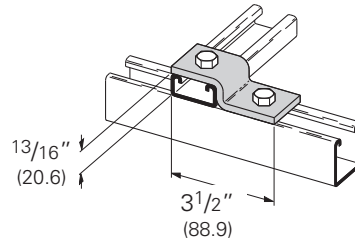
B526
Two Hole Offset Z-Support

- Standard finishes: ZN, GRN
- Wt./C 38 Lbs. (17.2 kg)



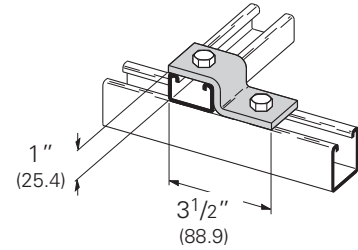
B106-52
Two Hole Offset Z-Support for B52

- Standard finishes: ZN, GRN
- Wt./C 40 Lbs. (18.1 kg)



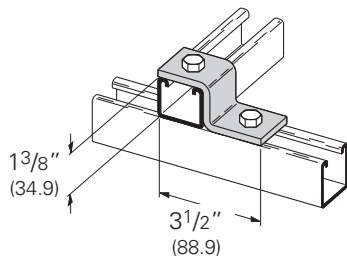
B106-42
Two Hole Offset Z-Support for B42

- Standard finishes: ZN, GRN
- Wt./C 44 Lbs. (20.0 kg)



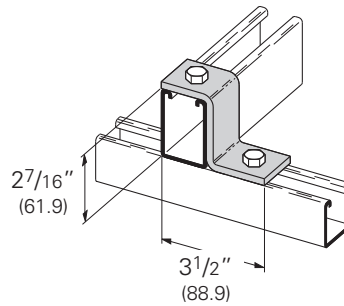
B106-32
Two Hole Offset Z-Support for B32

- Standard finishes: ZN, GRN
- Wt./C 51 Lbs. (23.1 kg)



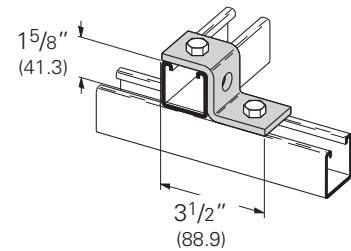
B106-12
Two Hole Offset Z-Support for B12

- Standard finishes: ZN, GRN
- Wt./C 63 Lbs. (28.6 kg)



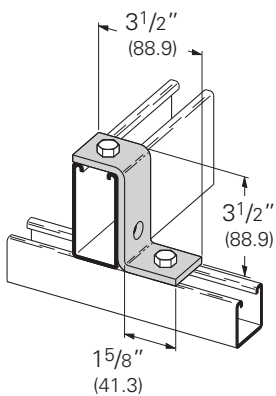
B105
Three Hole Offset Z-Support for B22

- Standard finishes: ZN, GRN, HDG
- Wt./C 51 Lbs. (23.1 kg)



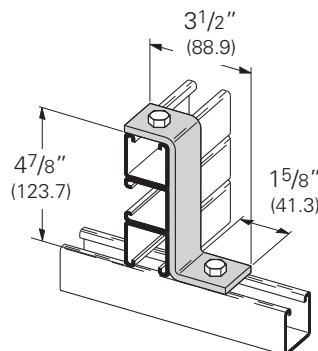
B110
Three Hole Offset Z-Support for B11

- Standard finishes: ZN, GRN
- Wt./C 70 Lbs. (31.7 kg)



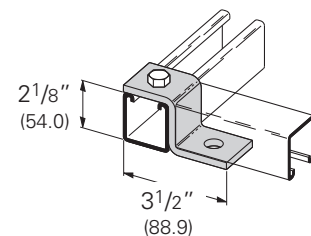
B586
Two Hole Z-Support

- Standard finishes: ZN, GRN
- Wt./C 90 Lbs. (40.8 kg)



B108
Two Hole Offset Z-Support

- Standard finishes: ZN, GRN
- Wt./C 55 Lbs. (24.9 kg)

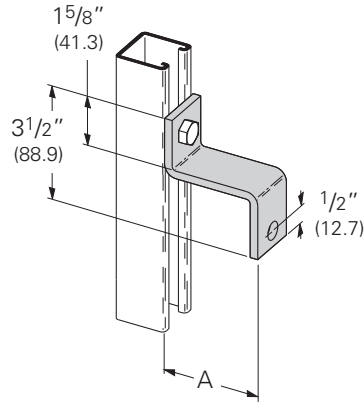


Reference page 73 for general fitting and standard finish specifications.

'Z' Fittings

B387 Two Hole Z-Bus Duct Connection

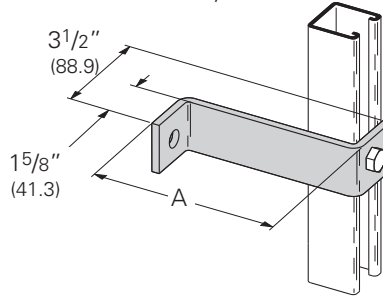
- Standard finishes: ZN, GRN



Part No.	A		Wt./C	
	In.	mm	Lbs.	kg
B387	4 3/4"	(120.6)	89	(40.3)
B387-1	3 25/32"	(96.0)	78	(35.4)
B387-2	2 13/32"	(61.1)	62	(28.1)

B407 Two Hole Z-Support

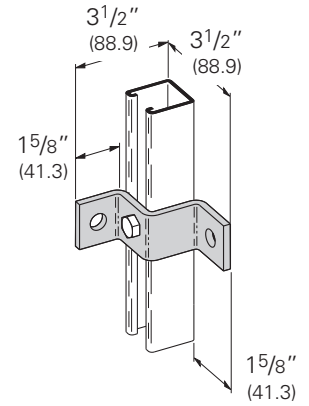
- Standard finishes: ZN, GRN



Part No.	A		Wt./C	
	In.	mm	Lbs.	kg
B407-4	4"	(101.6)	77	(34.9)
B407-5	5"	(127.0)	95	(43.1)
B407-6	6"	(152.4)	98	(44.4)
B407-7	7"	(177.8)	105	(47.6)
B407-8	8"	(203.2)	120	(54.4)
B407-9 5/8"	9 5/8"	(244.5)	138	(62.6)

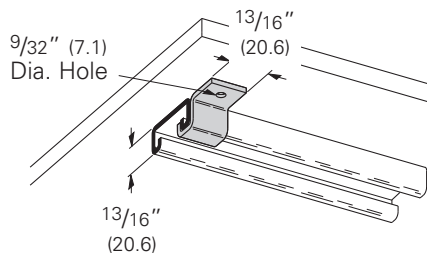
B111 Three Hole Sheath Corner Connection

- Standard finishes: ZN, GRN
- Wt./C 68 Lbs. (30.8 kg)



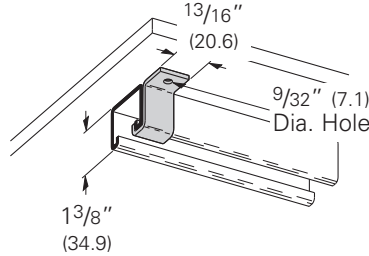
B410-52 Channel Hanger Bracket for B52

- Material: 11 Gauge (3.0)
ASTM A1011 HSLAS Gr. 50
- Standard finishes: ZN, GRN
- Wt./C 6.7 Lbs. (3.0 kg)



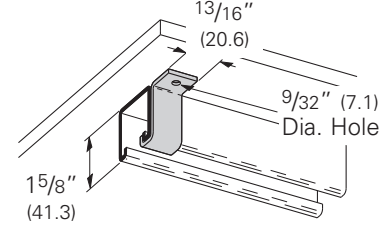
B410-32 Channel Hanger Bracket for B32

- Material: 11 Gauge (3.0)
ASTM A1011 HSLAS Gr. 50
- Standard finishes: ZN, GRN
- Wt./C 8.3 Lbs. (3.7 kg)



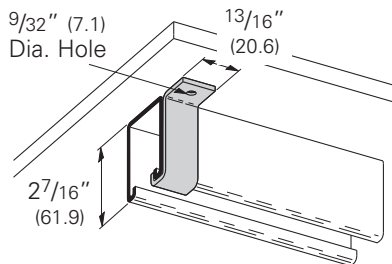
B410-22 Channel Hanger Bracket for B22

- Material: 11 Gauge (3.0)
ASTM A1011 HSLAS Gr. 50
- Standard finishes: ZN, GRN
- Wt./C 9 Lbs. (4.1 kg)



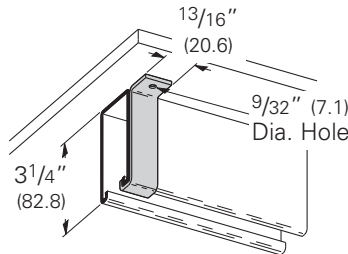
B410-12 Channel Hanger Bracket for B12

- Material: 11 Gauge (3.0)
ASTM A1011 HSLAS Gr. 50
- Standard finishes: ZN, GRN
- Wt./C 11.2 Lbs. (5.1 kg)



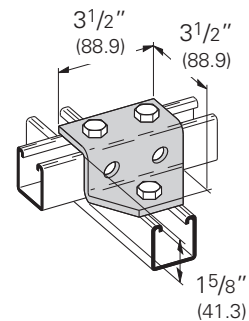
B410-11 Channel Hanger Bracket for B11

- Material: 11 Gauge (3.0)
ASTM A1011 HSLAS Gr. 50
- Standard finishes: ZN, GRN
- Wt./C 13.4 Lbs. (6.1 kg)



B580 Five Hole Gussetted Z-Support

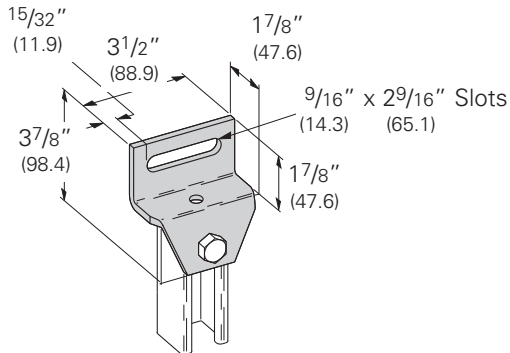
- Standard finishes: ZN, GRN
- Wt./C 100 Lbs. (45.3 kg)



'Z' & Wing Fittings

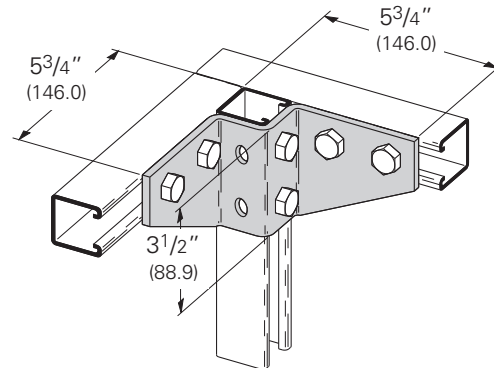
B515 Adjustable Offset Gusseted Z-Support

- Standard finishes: ZN, GRN
- Wt./C 93 Lbs. (42.2 kg)



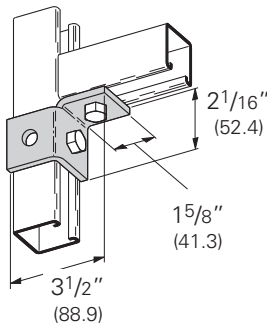
B428 Eight Hole Gusseted Corner Connection

- Standard finishes: ZN, GRN
- Wt./C 203 Lbs. (92.1 kg)



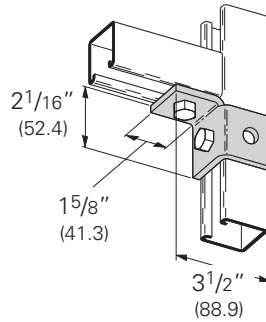
B267R Three Hole Single Corner Connection (Right Hand)

- Standard finishes: ZN, GRN
- Wt./C 54 Lbs. (24.5 kg)



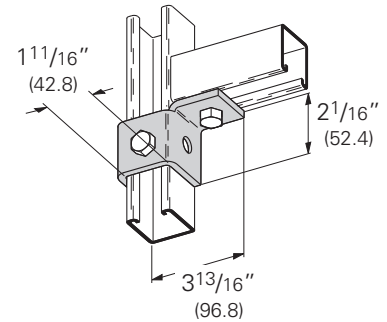
B267L Three Hole Single Corner Connection (Left Hand)

- Standard finishes: ZN, GRN
- Wt./C 54 Lbs. (24.5 kg)



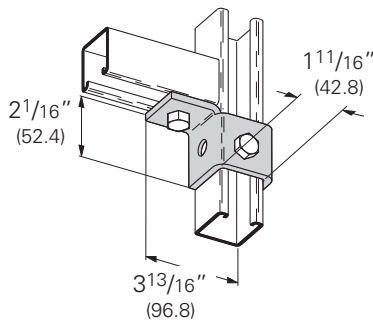
B270R Four Hole Single Corner Connection (Right Hand)

- Standard finishes: ZN, GRN
- Wt./C 77 Lbs. (34.9 kg)



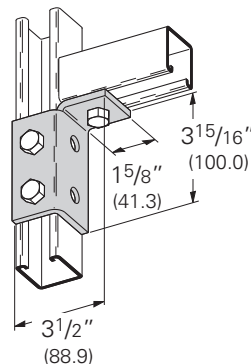
B270L Four Hole Single Corner Connection (Left Hand)

- Standard finishes: ZN, GRN
- Wt./C 77 Lbs. (34.9 kg)



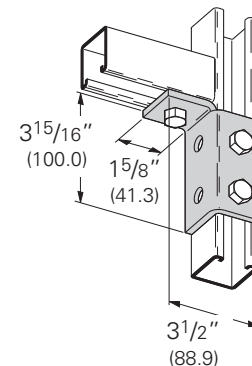
B268R Five Hole Single Corner Connection (Right Hand)

- Standard finishes: ZN, GRN
- Wt./C 100 Lbs. (45.3 kg)



B268L Five Hole Single Corner Connection (Left Hand)

- Standard finishes: ZN, GRN
- Wt./C 100 Lbs. (45.3 kg)



Reference page 73 for general fitting and standard finish specifications.