



# Barrington™ Highline® Wellworth®

Left-hand Trip Lever  
K-9436-L

## Features

- Left-hand trip lever.
- Solid-brass construction for durability.
- KOHLER finishes resist corrosion and tarnish.
- For use with Wellworth, Barrington, and Highline Pressure Lite toilets.



ADA CSA B651 OBC

## Codes/Standards


ASME A112.18.1/CSA B125.1  
ADA  
ICC/ANSI A117.1  
CSA B651  
OBC

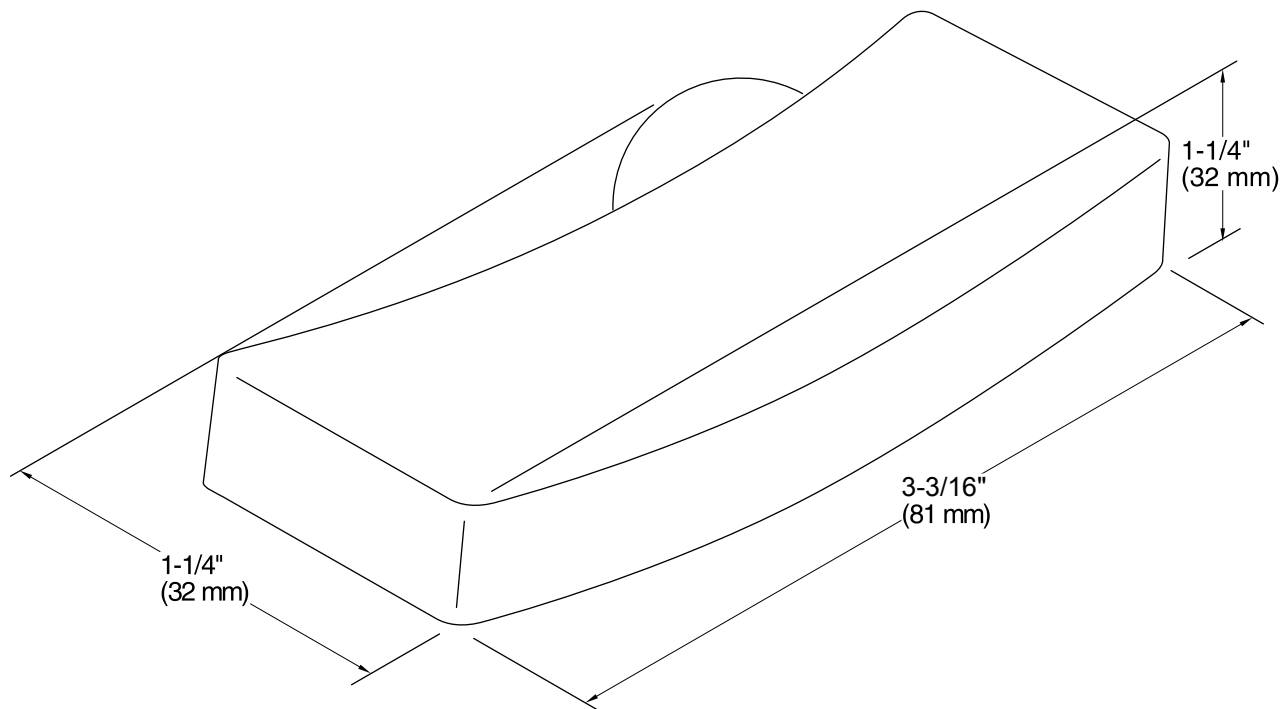
## KOHLER® One-Year Limited Warranty

See website for detailed warranty information.

## Available Color/Finishes

*Color tiles intended for reference only.*

Color	Code	Description
	BN	Vibrant® Brushed Nickel



#### Technical Information

All product dimensions are nominal.

#### Notes

ADA, OBC, CSA B651 compliant when installed to the specific requirements of these regulations.