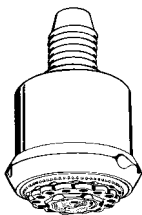
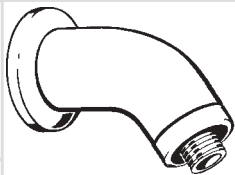


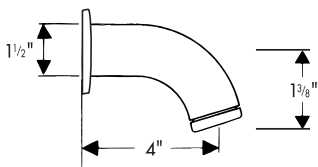
Installation Instructions / Warranty



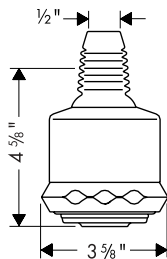
Small Cast Shower Arm
27438XX1

Clubmaster Shower Head
28496XX1

hansgrohe



27438XX1



28496XX1

28496XX1 Technical Data:

Recommended operating pressure	45-60 PSI
Maximum operating pressure	90 PSI
Maximum Flow Rate	2.5 GPM

Installation Considerations:

Installation of the 27438XX1 shower arm requires a 1/2" male nipple, extending a minimum of 3/8" from the surface of the finished wall.

We recommend the installation of a properly anchored drop-ear ell, into which a nipple of the proper length can be installed when the finished wall is complete.

Due to its size and weight, do not use the 27438XX1 shower arm with the 28490 or 27470 Aktiva™ stationary shower head.

Shower Arm Installation

Wrap both ends of the pipe nipple with Teflon™ tape. Screw one end into the drop-ear ell.

Seal the wall around the nipple with silicone bathroom sealer.

Screw the arm onto the pipe nipple.

If a final tightening by wrench is desired, give a final turn with a strap wrench.

Clubmaster Installation

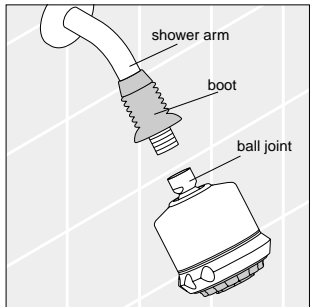
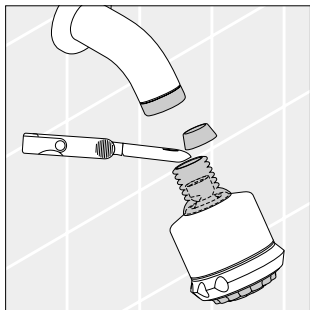
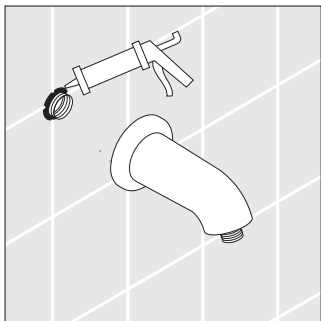
Insure that the self-sealing filter gasket is seated firmly in the showerhead ball joint by grasping the tab and gently turning clockwise until it stops.

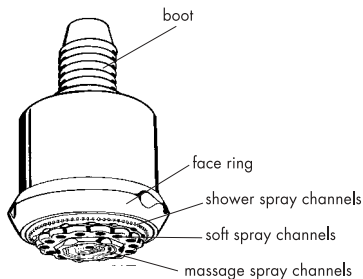
Slide the boot onto the end of the shower arm, narrow end first. If using the 27438XX1 or 27431XX1 shower arm, cut the boot as shown.

By hand, screw the showerhead onto the end of the shower arm, taking care not to cross thread. Wrench tighten. **NOTE: DO NOT OVERTIGHTEN OR DAMAGE TO THE SHOWERHEAD WILL RESULT.**

Turn on the water and check the connection for leaks.

Slide the boot down over the joint. Installation is now complete.





User Instructions

To change spray modes: *There is no "front and center" indexing position on the Clubmaster™.* Turn the face ring in the direction of the arrows to obtain the desired function: clockwise for soft aerated spray, counter-clockwise for massage.

If you notice a gradual decrease in flow over time, remove the Clubmaster™ from the shower arm and clean the filter gasket of any debris that may have accumulated.

Quick-Clean™ pins automatically dislodge scale deposits from the shower channels when the spray mode is changed.

To remove lime scale deposits: Pour approximately 1/2" of a commercial lime scale remover, such as Lime-Away™ or CLR™, into a shallow dish. Soak just the gray spray face of the Clubmaster™ for the amount of time indicated in the label directions. Change the spray modes several times to allow the Quick-Clean™ pins to clear the spray channels of deposits. Rinse thoroughly with clear water.

Cleaning Recommendation for Hansgrohe Products

Modern faucetry and shower products utilize a combination of materials to comply with the needs of the market with regard to design and functionality.

To avoid damage, it is necessary to use some caution when cleaning. Damage caused by improper treatment is not covered under the Hansgrohe warranty.

Cleaning Materials for Faucets and Showers

- To remove lime scale, use only products made specifically for that purpose. Always follow the manufacturer's instructions when using.
- Do not use cleaners that contain hydrochloric, formic, acetic, or phosphoric acids, as these will cause considerable damage to finishes and to plastic components.
- Never mix cleaning materials.
- Never use cleaners containing abrasives. Do not use abrasive cleaning cloths, pads, or sponges.

Cleaning Procedures

- Clean your faucets and shower products as and when required. Regular cleaning will prevent scale buildup and water spotting.
- Follow the label instructions. Do not allow any cleaner to remain on the product for longer than necessary.
- When using spray cleaners, spray first onto a sponge or cloth – do not spray directly onto the product.
- After cleaning, rinse thoroughly with clear water to remove any cleaner residue.

Important

- Soap and shampoo residue can also cause damage to the product. Rinse well with clean water after use.
- If the surface is already damaged, harsh cleaning materials will cause further damage.

Limited Lifetime Consumer Warranty

This product has been manufactured and tested to the highest quality standards by Hansgrohe, Inc. ("Hansgrohe"). This warranty is limited to Hansgrohe products which are purchased by a consumer in the United States after March 1, 1996, and installed in either the United States or Canada.

WHO IS COVERED BY THE WARRANTY

This warranty extends to the original consumer purchaser only.

WHAT IS COVERED BY THE WARRANTY

This warranty covers only your Hansgrohe manufactured product. Hansgrohe warrants this product against defects in material or workmanship as follows: Hansgrohe will repair at no charge for parts only or, at its option, replace any product or part of the product which proves defective because of improper workmanship and/or material, under normal installation, use, service and maintenance. If Hansgrohe is unable to provide a replacement and repair is not practical or cannot be timely made, Hansgrohe may elect to refund the purchase price in exchange for the return of the product.

LENGTH OF WARRANTY

Replacement or repaired parts of products will be covered for the term of this warranty as stated in the following two sentences. If you are a consumer who purchased the product for use primarily for personal, family, or household purposes, this warranty extends for as long as you own the product and the home in which the product is installed. If you purchased the product for use primarily for any other purpose, including, without limitation, a commercial purpose, this warranty extends only (i) for 1 year, with respect to Interaktiv and Retroaktiv products, and (ii) for 5 years, with respect to AXOR, ShowerPower and Pharo products.

THIS WARRANTY DOES NOT COVER, AND HANSGROHE WILL NOT PAY FOR:

- A. Conditions, malfunctions or damage not resulting from defects in material or workmanship.
- B. Conditions, malfunctions or damage resulting from (1) improper installation, improper maintenance, misuse, abuse, negligence, accident or alteration, or (2) the use of abrasive or caustic cleaning agents or "no rinse" cleaning products, or the use of the product in any manner contrary to the product instructions.
- C. Labor or other expenses for the disconnection or return of the product for warranty service, or for installation or reinstallation of the product.
- D. Accessories or related products not manufactured by Hansgrohe.

TO OBTAIN WARRANTY SERVICE

Contact your Hansgrohe retailer, or write to Technical Service at:

Hansgrohe Inc.
1492 Bluegrass Lakes Parkway
Alpharetta GA 30004

Or, call Hansgrohe toll-free at (800) 334-0455.

In requesting warranty service, you will need to provide

1. The sales receipt or other evidence of the date and place of purchase.
2. A description of the problem.
3. Delivery of the product or the defective part, postage prepaid and carefully packed and insured, to Hansgrohe Inc. 1492 Bluegrass Lakes Parkway, Alpharetta, Georgia 30004, Attention: Technical Service, if required by Hansgrohe.

When warranty service is completed, any repaired or replacement product or part will be returned to you postage prepaid.

EXCLUSIONS AND LIMITATIONS

REPAIR OR REPLACEMENT (OR, IN LIMITED CIRCUMSTANCES, REFUND OF THE PURCHASE PRICE) AS PROVIDED UNDER THIS WARRANTY IS THE EXCLUSIVE REMEDY OF THE PURCHASER. HANSGROHE NEITHER ASSUMES NOR AUTHORIZES ANY PERSON TO CREATE FOR IT ANY OBLIGATION OR LIABILITY IN CONNECTION WITH THIS PRODUCT.

HANSGROHE SHALL NOT BE LIABLE TO PURCHASER OR ANY PERSON FOR ANY INCIDENTAL, SPECIAL, OR CONSEQUENTIAL DAMAGES, ARISING OUT OF BREACH OF THIS WARRANTY OR ANY IMPLIED WARRANTY (INCLUDING MERCHANTABILITY).

Some States do not allow the exclusion or limitation of incidental or consequential damages, so the above limitation or exclusion may not apply to you.

This warranty gives you specific legal rights, and you may have other rights which vary from State to State.

You may be required by law to give us a reasonable opportunity to correct or cure any failure to comply before you can bring any action in court against us under the Magnuson-Moss Warranty Act.

PRODUCT INSTRUCTIONS AND QUESTIONS

Upon purchase or prior to installation, please carefully inspect your Hansgrohe product for any damage or visible defect. Prior to installing, always carefully study the enclosed instructions on the proper installation and the care and maintenance of the product. If you have questions at any time about the use, installation, or performance of your Hansgrohe product, or this warranty, please call or write to us at the toll-free number and address printed above.

Hansgrohe Inc.

1490 Bluegrass Lakes Parkway

Alpharetta GA 30004

Phone: 770 360 9880

Internet www.hansgrohe-usa.com