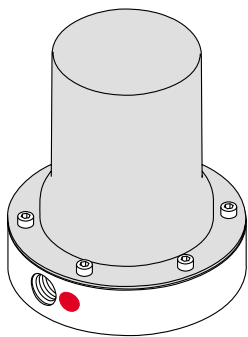


Philippe Starck Two-Handle Tub Filler Rough-In 10452181 Installation

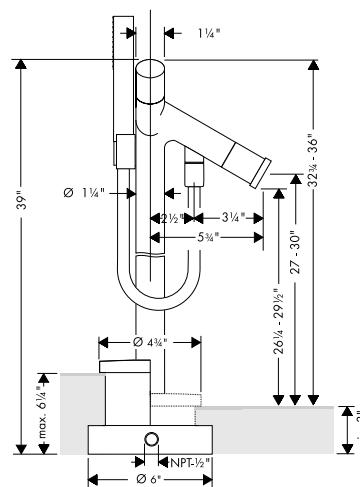


Installation Considerations:

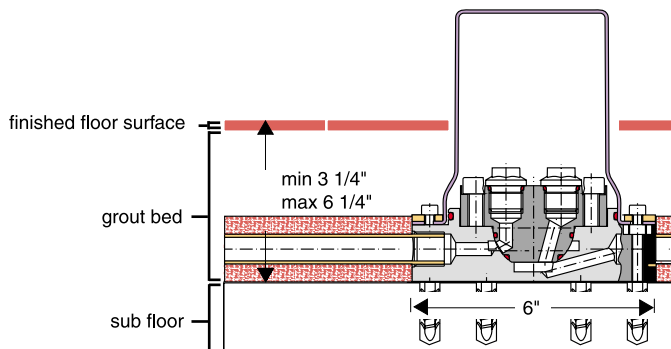
The 10458XX1 two-handle tub filler is designed to be installed with bathrooms that will be fitted with water impervious flooring such as tile, marble, or decorative stone.

A remote pressure balance valve, 13418181, is available for those areas that require scald guard valves on tub fittings that include hand showers. It is installed to the hot and cold water supplies within 6' of the tub filler.

The 10452181 rough-in kit may be secured directly to concrete sub-flooring using the supplied anchors. A three-inch minimum*, six-inch maximum* grout bed must be laid over the completed rough-in assembly.

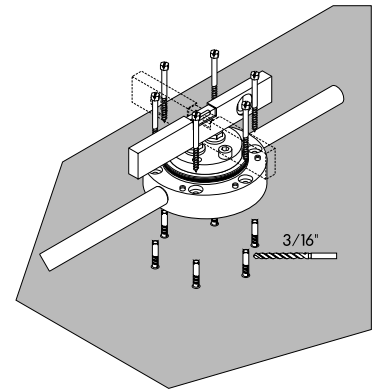
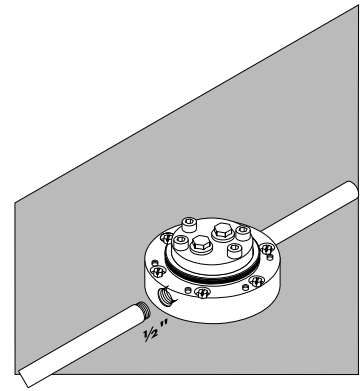


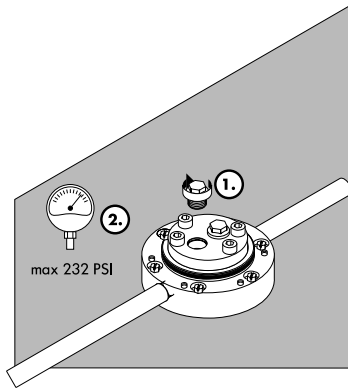
***THESE MINIMUM-MAXIMUM MEASUREMENTS ARE FOR THE GROUT BED ONLY. THESE MEASUREMENTS ASSUME 1/4" TILE WILL BE LAID OVER THE GROUT BED.** FOR TILES THICKER THAN 1/4", SUBTRACT ANY THICKNESS OVER 1/4" FROM THE GROUT BED THICKNESS. FOR EXAMPLE, IF 1/2" THICK TILE IS USED, THE MINIMUM GROUT BED THICKNESS WOULD BE 2 3/4" AND THE MAXIMUM WOULD BE 5 3/4". MEASURING FROM THE SUBFLOOR UP, THE MINIMUM OVERALL FLOOR THICKNESS IS 3 1/4" AND THE MAXIMUM IS 6 1/4". SPECIAL CONSIDERATION WILL BE NECESSARY DURING THE FLOOR FRAMING PORTION OF THE CONSTRUCTION PROCESS TO ALLOW FOR THESE FLOOR THICKNESS REQUIREMENTS



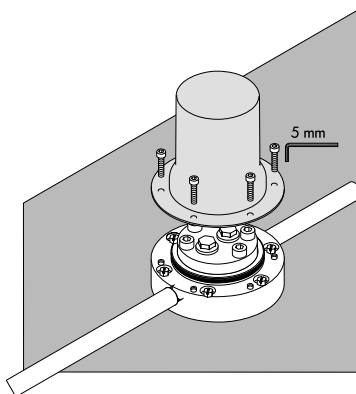
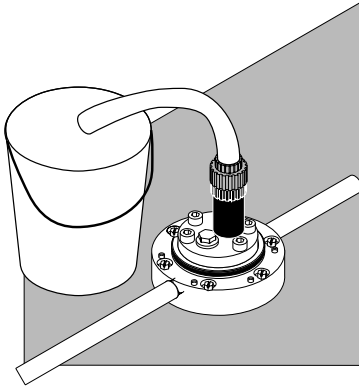
Installation Instructions

- Apply plumber's thread sealing tape on two six-inch brass threaded pipe nipples (not supplied) and tighten them into the brass rough-in flange. Hot and cold connections will be made to these nipples.
- If the water connections are to be made below the floor, elbows can be fitted to the brass nipples and turned down through the floor. The water piping can be routed alternately along the surface of the sub-flooring if desired.
- **Note:** It is important to have at least six inches of hot and cold piping on top of the sub-flooring as it lends stability to the tub filler when embedded in the grout floor. Strap all support piping to the sub-flooring.
- Remove and set aside the six hex-head screws securing the black plastic plaster guard from the brass rough-in flange. Position the brass rough-in flange in the desired location of the two-handle tub mixer. Orient the two water inlets to allow convenient connection to the hot and cold supplies. Using the rough-in flange as a template, mark the six screw holes using a 3/16" drill bit. Secure the rough-in flange to the floor using the supplied lag screws.
- **IMPORTANT: Make sure to keep the brass rough-in flange level in all planes.**
- The brass rough-in flange can also be through-bolted to the wood sub-flooring, if desired (hardware not included).
- The same procedure is used for a concrete sub-floor, with the exception that an eight-millimeter masonry drill bit is used for the screw holes. The plastic masonry anchors (supplied) are inserted into the six screw holes and the rough-in flange is secured to the concrete sub-floor using the supplied screws. Once again, **the flange must be level in all planes**, and grout and tile built up to the same dimensions over the completed rough in, just as in a wood sub floor installation.

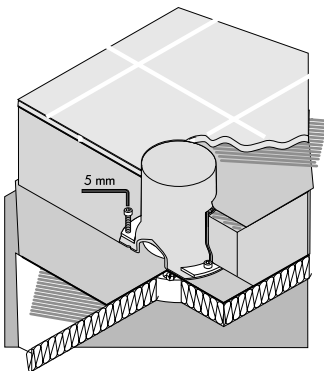




- Make all water connections. Remove the two nylon plugs from the top of the white nylon test cover on the brass rough-in flange, and screw hose bibbs into the threaded openings. Pressurize the piping system and check for leaks. Attach a hose to the hose bibbs and thoroughly flush the hot and cold piping of all debris.

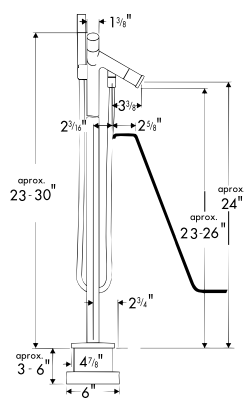
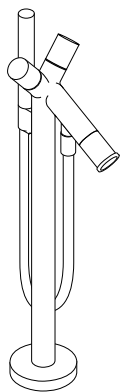


- Depressurize and drain the piping system. Remove the hose bibbs and reinstall the nylon plugs into the top of the white nylon test cover. Repressurize the system and check all connections for leaks.
- Reinstall the black plastic plaster guard onto the brass rough-in flange using the hex-head screws.



- Finish flooring can now be completed. The outside surface of the finished floor **MUST** fall somewhere between the "minimum" and "maximum" markings on the shield. Rough-in is now complete.

Philippe Starck Two-Handle Tub Filler Trim Kit 10458XX1 Installation

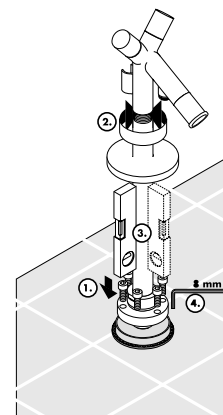
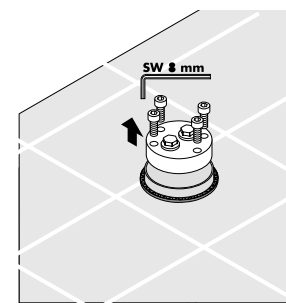
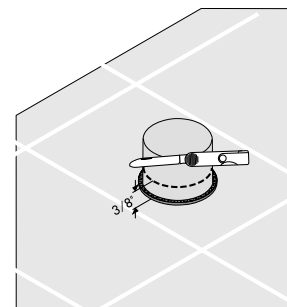


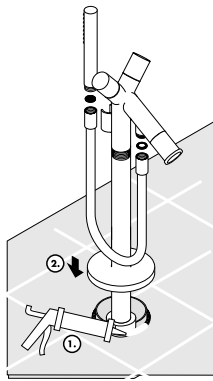
Installation Considerations

Rough-in 10452181 must be installed, and the finished floor must be complete before installing this trim kit.

Installation Instructions

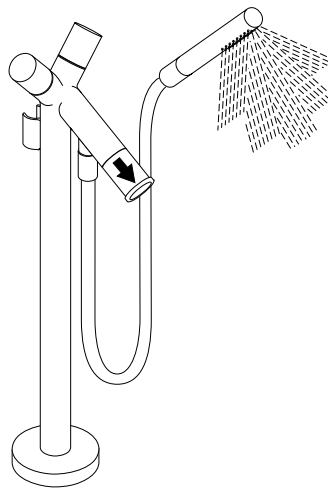
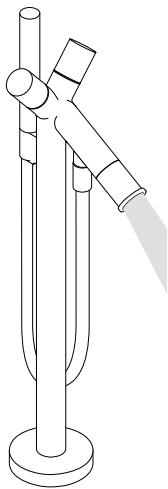
- Cut off the black plastic plaster guard $\frac{3}{8}$ " above the finished floor. Depressurize and drain down the piping system.
- Remove the four hex-head screws that secure the white nylon test cover to the brass rough-in flange. **Put the screws in a safe place - they will be re-used.** Lift the test cover off. The test cover may be discarded. Make sure not to allow any debris to fall onto the brass rough-in flange.
- Carefully lower the two-handle tub filler onto the brass rough-in flange and gently twist it to firmly seat the o-ring seals into their receiver in the brass flange. Make sure the tub filler is plumb in the vertical plane. After making sure the tub filler spout is oriented in the desired direction, tighten the six hex-head screws (supplied) to secure the tub filler to the rough-in flange. All screws should be hand tightened, and then tightened one turn at a time beginning with one screw and then tightening the screw on the opposite side an equal amount. Follow this procedure until all screws are firmly and equally tightened.
- Re-check the vertical plumb of the tub filler.





- Connect the handshower head and hose to the tub filler using the supplied rubber gaskets. Turn on the water supply and check for leaks.
- Seal the juncture of the plaster guard and the finished floor with a compatible, non-staining waterproof sealant.
- After ensuring that the two-handle tub filler installation is performing properly, lower the decorative floor flange to the finished floor.

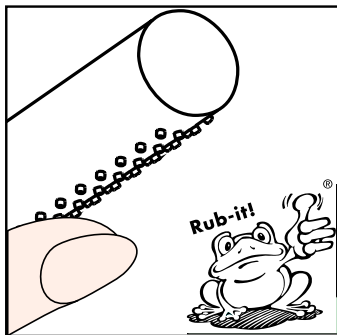
User Instructions



The right handle controls the cold water, the left handle controls the hot water.

When the unit is first turned on, water will come from the spout. Pull on the end of the spout to divert to the handshower. When the water is turned off, the unit will automatically reset to the spout. **NOTE: DO NOT DIVERT WATER TO THE HANDSHOWER UNLESS IT IS POSITIONED OVER THE TUB.**

To remove the handshower from the holder, pull up until the hose nut clears the holder, then pull out. Reverse the process to put the handshower back into the holder.



The handshower uses the Rubit™ cleaning system. To dislodge any scale deposits from the spray channels, turn the water on lightly and rub the spray channels gently with your finger or a sponge.