

DESCRIPTION

- Reflex™ pulldown system offers smooth operation, easy movement and secure docking
- Metal construction with Spot Resist™ finish
- Duralock™ quick connect installation
- Power Clean™ Technology for more force, less splash
- Pulldown spray with 68" braided hose
- 3/8" compression connections will accept standard ball nose connection for 3/8" tubing

OPERATION

- Lever style handle
- Operates with less than 5 lbs. of force
- Operates in stream or spray mode in the pulldown or retracted position

FLOW

- Flow is limited to 1.5 gpm (5.7 L/min) at 60 psi

CARTRIDGE

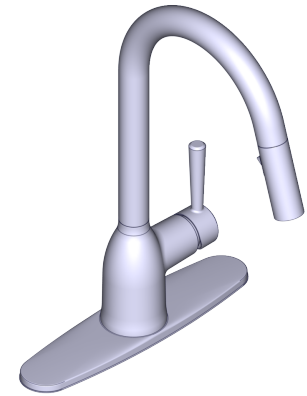
- 1255™ Duralast™ cartridge for Single-Handle Faucets
- Engineered polymers, non-ferrous and stainless steel materials

STANDARDS

- Third party certified to IAPMO Green, ASME A112.18.1/CSA B-125.1 and all applicable requirements referenced therein including NSF 61/9 & 372
- Meets CalGreen and Georgia SB370 requirements
- Complies with California Proposition 65 and with the Federal Safe Drinking Water Act
- ADA ♿ for lever handle
- The backflow protection system in this device consists of two independently operating check valves, a primary and a secondary which prevent backflow

WARRANTY

- Lifetime limited warranty against leaks, drips and finish defects to the original homeowner
 - 10 year limited warranty when used in a multifamily installation
 - 5 year limited warranty when used in a commercial installation
- Visit www.moen.com/support for complete details and limitations



CHATEAU™ One-Handle Pulldown Kitchen Faucet

MODELS: 7475 Series

NOTE: THIS FAUCET IS DESIGNED TO BE INSTALLED THROUGH 1 OR 3 HOLES, 1-1/2" (38mm) MIN. DIA.

